

# 32-Bit RISC Microcontroller

CMOS

## FR30 Series

# MB91133/MB91F133

### ■ DESCRIPTION

The MB91133/MB91F133, a standard single-chip microcontroller featuring various I/O resources and bus control mechanisms to incorporate the control required for high-performance high-speed CPU processes, is the core unit in the 32-bit RISC CPU (FR family) .

This unit has the optimal specifications for incorporating applications that require high-performance CPU processing power by featuring peripheral I/O resources suitable for single-lens reflex cameras, digital video cameras, etc.

### ■ FEATURES

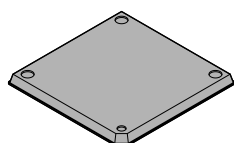
#### 1. CPU

- 32-bit RISC (FR30) , load/store architecture, 5-level pipeline
- Multi-purpose register : 32 bits × 16
- 16-bit fixed length instructions (basic instructions) , 1 instruction per cycle
- Instructions for barrel shift, bit processing and inter-memory transfers : Instructions suited to loading purposes
- Function entry / exit instruction, multi load / store instruction of register details : High-level language handling instruction
- Register interlock function : Simplification of assembler description
- Branch instruction with delay slot : Reduction in overheads in case of branching
- Multiplier is built-in / supported at instruction level.
- Signed 32-bit multiplication : 5 cycles
- Signed 16-bit multiplication : 3 cycles
- Interruption (saving PC and PS) : 6 cycles, 16 priority levels

(Continued)

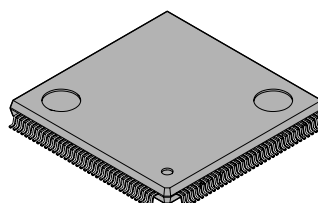
### ■ PACKAGES

144-pin plastic FBGA



(BGA-144P-M01)

144-pin plastic LQFP



(FPT-144P-M08)

www.DataSheet4U.com

# MB91133/MB91F133

(Continued)

## 2. Bus Interface

- 24-bit address output, 8/16-bit data input/output
- Basic bus cycle : 2 clock cycles
- Interface support for various memories
- Unused data and address pins can be used as input/output ports.
- Supports "little endian" mode

## 3. Built-in ROM

Mask device : 254 KB; FLASH device : 254 KB; EVA-FLASH device : 254 KB

## 4. Built-in RAM

Mask device : 8 KB; FLASH device : 8 KB; EVA-FLASH device : 8 KB

## 5. DMA Controller

This is a descriptor-type MA controller whose transfer parameters are arranged in the main memory.

A maximum of 8 factors in total (internal and external) can be transferred.

External factors are 3 channels.

## 6. Bit Search Module

Searches the first "1" / "0" change bit positions within 1 cycle from MSB in 1 word

## 7. Timer

- 16-bit reload timer × 5 channels
- 16-bit OCU × 8 channels, ICU × 4 channels, free-run timer × 1 channel  
Output waveform adjusting function for AC motor waveforms is included in the above timer.
- 8/16-bit up/down timer/counter (8-bit × 2 channels or 16-bit × 1 channel)  
External interruption and pin are shared for AIN and BIN.
- 16-bit down count timer × 5 channels; can also be used as the UART baud rate timer
- 16-bit PPG timer × 6 channels; out-pulse cycle / duty can be changed at random

## 8. D/A Converter

- 8-bit × 3 channels

## 9. A/D Converter (Sequential comparison type)

- 10-bit × 8 channels
- Sequential conversion method (conversion time 5.0 μs at 33 MHz)
- Setting for single conversion, scan conversion and repeat conversion is possible.
- Conversion starting function using hardware or software

## 10. Serial I/O

- UART × 5 channels; clock synchronous serial transfer with LSB / MSB switching function is possible for both.
- Serial data output or serial lock output can be selected using push-pull / open-drain software.

## 11. Level Comparator Input

- 1 channel; shared input and pins of A/D converter.

## 12. Clock Switching Function

- Base clock : Software can be used to select from two types of clock sources, namely 32 kHz and high-speed.
- Gear function : Four types of settings (1 : 1, 1 : 2, 1 : 4, 1 : 8) can be set individually as the operating clock ratio to the basic clock per CPU and peripheral equipment.

# MB91133/MB91F133

## 13. Interruption Controller

- **External interruption input (total 24 channels)**
  - With pull up pin control / standby return function : 4 channels (rising / falling / H level / L level settings are possible)
  - With pull up pin control / standby return function; AIN / BIN pins of the up/down counter are shared : 4 channels (rising / falling / H level / L level settings are possible)
  - With pull up pin control : 16 channels (rising / falling / H level / L level settings are possible)
- **Internal interruption factor**
  - Interruption / delay interruption by resource

## 14. Others

- **Reset factors**  
Power on reset, watchdog timer, software reset, external reset
- **Low power consumption mode**  
Sleep/stop mode
- **Packages**  
FBGA-144, LQFP-144
- **CMOS technology (0.35  $\mu\text{m}$ )**
- **Power**  
Two power sources (5 V / 3 V)
  - 1) 5 V system : 5 V  $\pm$  10% (A/D, D/A and level comparator included)
  - 2) 3 V system : A) 3.0 V to 3.6 V : All functions guaranteed  
B) 2.7 V to 3.0 V : All functions guaranteed for single-chip mode of mask devices only

## ■ PRODUCT LINEUP

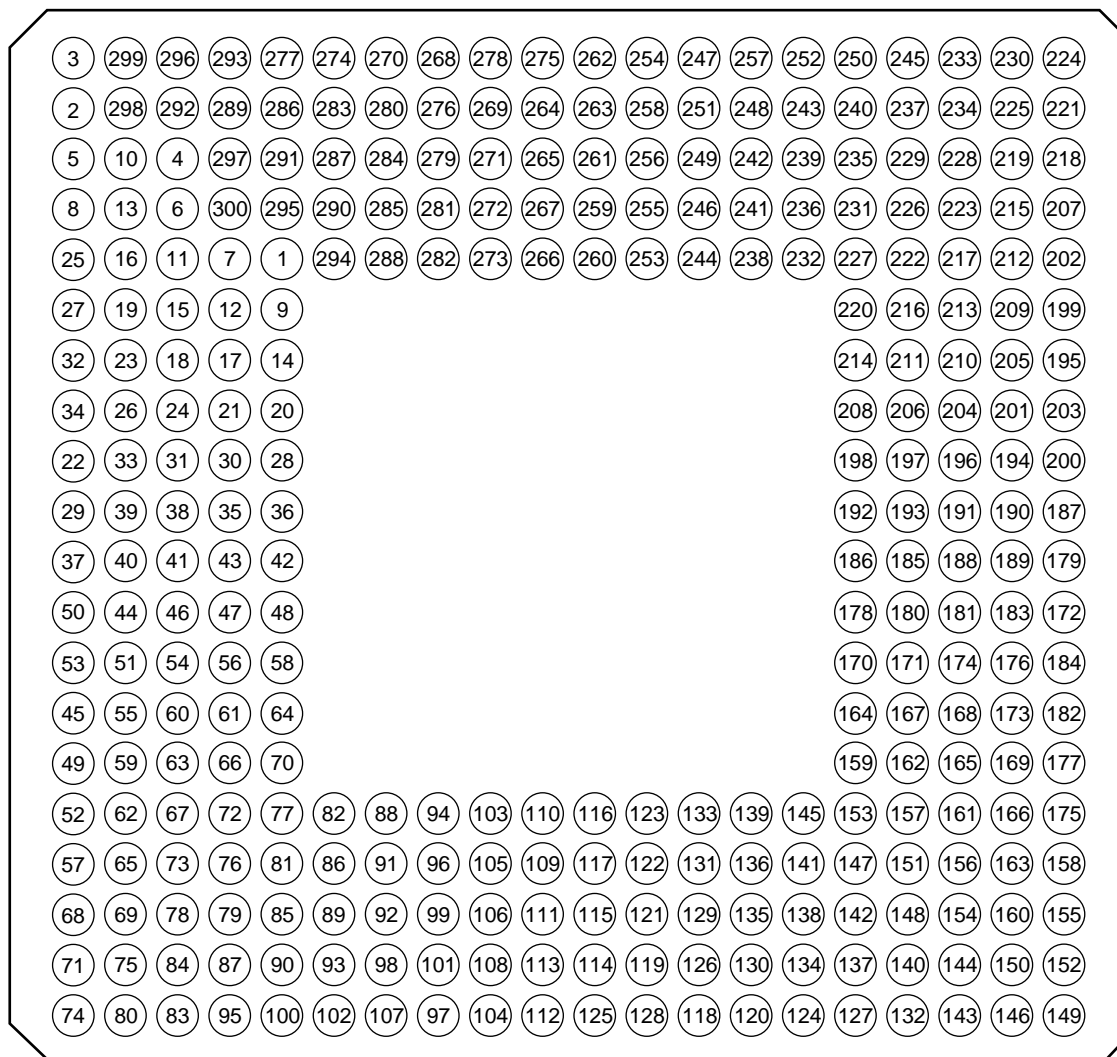
	<b>MB91133</b>	<b>MB91F133</b>	<b>MB91FV130</b>
CLASSIFICATION	MASK ROM device (mass production item)	FLASH ROM device (for evaluation)	Piggy/EVA device (for evaluation / development)
RAM capacity	6 KB	6 KB	6 KB
CROM capacity	254 KB	—	—
FLASH capacity	—	254 KB	254 KB
CRAM capacity	2 KB	2 KB	2 KB
Others	Mass production	Trial production	Provided

# MB91133/MB91F133

## ■ PIN ASSIGNMENTS

### • MB91FV130

(BOTTOM VIEW)

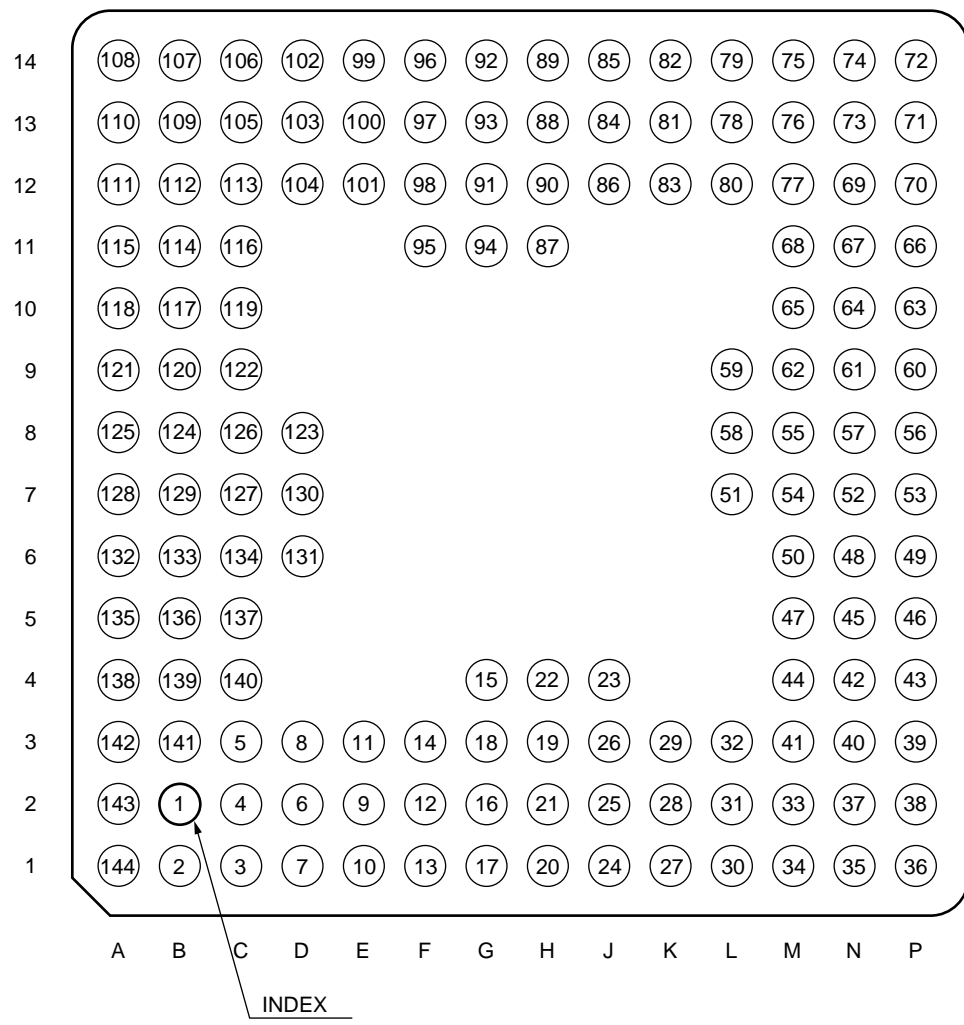


(PGA-299C-A01)

# MB91133/MB91F133

• MB91F133/MB91133

(TOP VIEW)

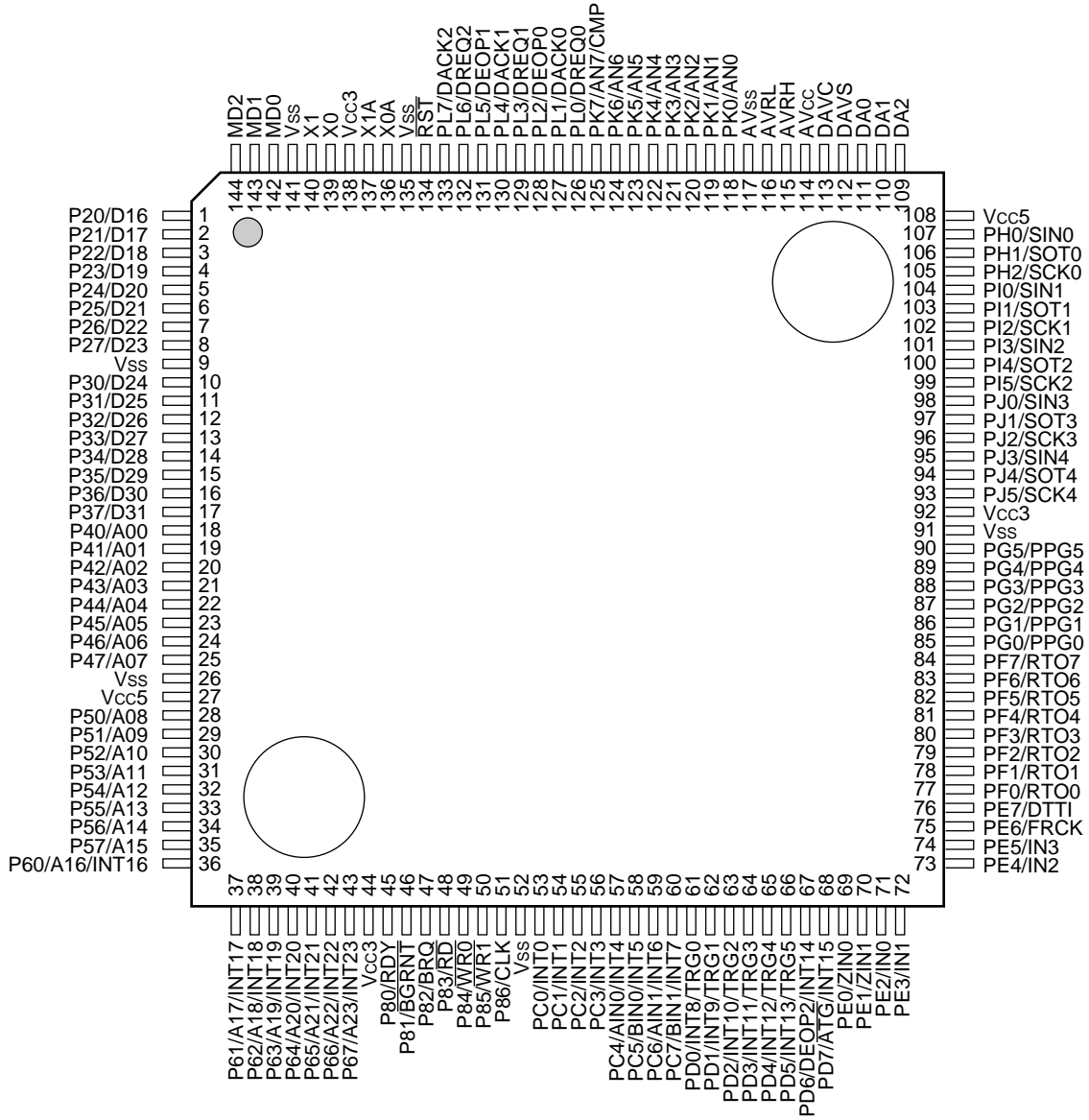


(BGA-144P-M01)

# MB91133/MB91F133

• MB91F133/MB91133

(TOP VIEW)



(FPT-144P-M08)

# MB91133/MB91F133

## ■ PIN NUMBERS LIST

• Device : MB91FV130 Package : PGA-299C-A01

No.	Pin Name	No.	Pin Name	No.	Pin Name	No.	Pin Name
1	P20/D16	35	P54/A12	69	N.C.	103	PK3/AN3
2	V <sub>ss</sub>	36	P55/A13	70	N.C.	104	V <sub>cc5</sub>
3	OPEN	37	V <sub>cc5</sub>	71	V <sub>ss</sub>	105	PK4/AN4
4	P21/D17	38	P56/A14	72	N.C.	106	PK5/AN5
5	V <sub>cc5</sub>	39	P57/A15	73	N.C.	107	PK6/AN6
6	P22/D18	40	P60/A16/INT16	74	V <sub>cc5</sub>	108	PK7/AN7/CMP
7	P23/D19	41	P61/A17/INT17	75	N.C.	109	DAVC
8	V <sub>ss</sub>	42	P62/A18/INT18	76	MD0	110	DAVS
9	P24/D20	43	P63/A19/INT19	77	MD1	111	DA0
10	P25/D21	44	P64/A20/INT20	78	MD2	112	V <sub>ss</sub>
11	P26/D22	45	P65/A21/INT21	79	V <sub>cc3</sub>	113	DA1
12	P27/D23	46	P66/A22/INT22	80	V <sub>ss</sub>	114	DA2
13	P30/D24	47	P67/A23/INT23	81	X0	115	PH0/SIN0
14	P31/D25	48	P80/RDY	82	X1	116	PH1/SOT0
15	P32/D26	49	V <sub>cc3</sub>	83	V <sub>cc5</sub>	117	PH2/SCK0
16	P33/D27	50	V <sub>ss</sub>	84	$\overline{\text{RST}}$	118	PI0/SIN1
17	P34/D28	51	P81/ $\overline{\text{BGRNT}}$	85	N.C.	119	PI1/SOT1
18	P35/D29	52	P82/BRQ	86	ICLK	120	PI2/SCK1
19	P36/D30	53	V <sub>cc5</sub>	87	ICS0	121	PI3/SIN2
20	P37/D31	54	P83/ $\overline{\text{RD}}$	88	ICS1	122	PI4/SOT2
21	P40/A00	55	P84/ $\overline{\text{WR0}}$	89	ICS2	123	PI5/SCK2
22	V <sub>cc5</sub>	56	P85/ $\overline{\text{WR1}}$	90	ICD0	124	PJ0/SIN3
23	P41/A01	57	P86/CLK	91	ICD1	125	V <sub>cc5</sub>
24	P42/A02	58	PL0/DREQ0	92	ICD2	126	PJ1/SOT3
25	P43/A03	59	PL1/DACK0	93	ICD3	127	PJ2/SCK3
26	P44/A04	60	PL2/DEOP0	94	BREAK	128	V <sub>ss</sub>
27	P45/A05	61	PL3/DREQ1	95	AV <sub>cc</sub>	129	V <sub>cc3</sub>
28	P46/A06	62	PL4/DACK1	96	AVRH	130	X0A
29	V <sub>ss</sub>	63	PL5/DEOP1	97	V <sub>ss</sub>	131	X1A
30	P47/A07	64	PL6/DREQ2	98	AVRL	132	V <sub>ss</sub>
31	P50/A08	65	PL7/DACK2	99	AV <sub>ss</sub>	133	PJ3/SIN4
32	P51/A09	66	N.C.	100	PK0/AN0	134	PJ4/SOT4
33	P52/A10	67	N.C.	101	PK1/AN1	135	PJ5/SCK4
34	P53/A11	68	V <sub>cc5</sub>	102	PK2/AN2	136	PC0/INT0

(Continued) Sheet4U.com

# MB91133/MB91F133

(Continued)

No.	Pin Name	No.	Pin Name	No.	Pin Name	No.	Pin Name	No.	Pin Name
137	PC1/INT1	173	PF5/RTO5	209	$\overline{\text{TAD14}}$	245	TDT23	281	TDT53
138	PC2/INT2	174	PF6/RTO6	210	$\overline{\text{TAD15}}$	246	TDT24	282	TDT54
139	PC3/INT3	175	PF7/RTO7	211	V <sub>cc3</sub>	247	V <sub>ss</sub>	283	TDT55
140	PC4/INT4/AIN0	176	PG0/PPG0	212	$\overline{\text{TOE}}$	248	TDT25	284	TDT56
141	PC5/INT5/BIN0	177	PG1/PPG1	213	$\overline{\text{TCE1}}$	249	TDT26	285	TDT57
142	PC6/INT6/AIN1	178	PG2/PPG2	214	$\overline{\text{TADSC}}$	250	TDT27	286	V <sub>cc3</sub>
143	V <sub>cc5</sub>	179	V <sub>ss</sub>	215	$\overline{\text{TWR}}$	251	TDT28	287	TDT58
144	PC7/INT7/BIN1	180	PG3/PPG3	216	TDT00	252	TDT29	288	TDT59
145	PD0/INT8/TRG0	181	PG4/PPG4	217	TDT01	253	TDT30	289	TDT60
146	V <sub>ss</sub>	182	PG5/PPG5	218	V <sub>ss</sub>	254	V <sub>cc5</sub>	290	TDT61
147	PD1/INT9/TRG1	183	N.C.	219	TDT02	255	TDT31	291	TDT62
148	PD2/INT10/TRG2	184	N.C.	220	TDT03	256	TDT32	292	TDT63
149	V <sub>cc5</sub>	185	N.C.	221	V <sub>cc5</sub>	257	TDT33	293	V <sub>cc5</sub>
150	PD3/INT11/TRG3	186	N.C.	222	TDT04	258	TDT34	294	TDT64
151	PD4/INT12/TRG4	187	V <sub>cc5</sub>	223	TDT05	259	TDT35	295	TDT65
152	V <sub>ss</sub>	188	EXRAM	224	V <sub>ss</sub>	260	TDT36	296	V <sub>ss</sub>
153	PD5/INT13/TRG5	189	TAD00	225	TDT06	261	TDT37	297	TDT66
154	PD6/INT14/DEOP2	190	TAD01	226	TDT07	262	V <sub>ss</sub>	298	TDT67
155	V <sub>cc5</sub>	191	TAD02	227	TDT08	263	TDT38	299	V <sub>cc5</sub>
156	PD7/INT15/ $\overline{\text{ATG}}$	192	TAD03	228	TDT09	264	TDT39	300	TDT68
157	PE0/ZIN0	193	V <sub>cc3</sub>	229	TDT10	265	TDT40		
158	V <sub>ss</sub>	194	TAD04	230	V <sub>cc5</sub>	266	TDT41		
159	PE1/ZIN1	195	TAD05	231	TDT11	267	TDT42		
160	PE2/IN0	196	TAD06	232	TDT12	268	TDT43		
161	PE3/IN1	197	TAD07	233	V <sub>ss</sub>	269	V <sub>cc3</sub>		
162	PE4/IN2	198	TAD08	234	TDT13	270	TDT44		
163	PE5/IN3	199	TAD09	235	TDT14	271	TDT45		
164	PE6/FRCK	200	V <sub>ss</sub>	236	TDT15	272	TDT46		
165	PE7/DTTI	201	TAD10	237	TDT16	273	TDT47		
166	V <sub>cc3</sub>	202	TAD11	238	TDT17	274	TDT48		
167	PF0/RTO0	203	V <sub>cc5</sub>	239	TDT18	275	V <sub>cc5</sub>		
168	PF1/RTO1	204	TAD12	240	V <sub>cc3</sub>	276	TDT49		
169	PF2/RTO2	205	TAD13	241	TDT19	277	TDT50		
170	PF3/RTO3	206	TAD14	242	TDT20	278	V <sub>ss</sub>		
171	PF4/RTO4	207	TAD15	243	TDT21	279	TDT51		
172	V <sub>cc5</sub>	208	TCLK	244	TDT22	280	TDT52		



# MB91133/MB91F133

• Device : MB91F133/MB91133 Package : BGA-144P-M01/FPT-144P-M08

LQFP	FBGA	Pin Name	LQFP	FBGA	Pin Name	LQFP	FBGA	Pin Name
1	B2	P20/D16	36	P1	P60/A16/INT16	71	P13	PE2/IN0
2	B1	P21/D17	37	N2	P61/A17/INT17	72	P14	PE3/IN1
3	C1	P22/D18	38	P2	P62/A18/INT18	73	N13	PE4/IN2
4	C2	P23/D19	39	P3	P63/A19/INT19	74	N14	PE5/IN3
5	C3	P24/D20	40	N3	P64/A20/INT20	75	M14	PE6/FRCK
6	D2	P25/D21	41	M3	P65/A21/INT21	76	M13	PE7/DTTI
7	D1	P26/D22	42	N4	P66/A22/INT22	77	M12	PF0/RTO0
8	D3	P27/D23	43	P4	P67/A23/INT23	78	L13	PF1/RTO1
9	E2	V <sub>ss</sub>	44	M4	V <sub>cc3</sub>	79	L14	PF2/RTO2
10	E1	P30/D24	45	N5	P80/RDY	80	L12	PF3/RTO3
11	E3	P31/D25	46	P5	P81/ $\overline{\text{BGRNT}}$	81	K13	PF4/RTO4
12	F2	P32/D26	47	M5	P82/BRQ	82	K14	PF5/RTO5
13	F1	P33/D27	48	N6	P83/ $\overline{\text{RD}}$	83	K12	PF6/RTO6
14	F3	P34/D28	49	P6	P84/ $\overline{\text{WR0}}$	84	J13	PF7/RTO7
15	G4	P35/D29	50	M6	P85/ $\overline{\text{WR1}}$	85	J14	PG0/PPG0
16	G2	P36/D30	51	L7	P86/CLK	86	J12	PG1/PPG1
17	G1	P37/D31	52	N7	V <sub>ss</sub>	87	H11	PG2/PPG2
18	G3	P40/A00	53	P7	PC0/INT0	88	H13	PG3/PPG3
19	H3	P41/A01	54	M7	PC1/INT1	89	H14	PG4/PPG4
20	H1	P42/A02	55	M8	PC2/INT2	90	H12	PG5/PPG5
21	H2	P43/A03	56	P8	PC3/INT3	91	G12	V <sub>ss</sub>
22	H4	P44/A04	57	N8	PC4/AIN0/INT4	92	G14	V <sub>cc3</sub>
23	J4	P45/A05	58	L8	PC5/BIN0/INT5	93	G13	PJ5/SCK4
24	J1	P46/A06	59	L9	PC6/AIN1/INT6	94	G11	PJ4/SOT4
25	J2	P47/A07	60	P9	PC7/BIN1/INT7	95	F11	PJ3/SIN4
26	J3	V <sub>ss</sub>	61	N9	PD0/INT8/TRG0	96	F14	PJ2/SCK3
27	K1	V <sub>cc5</sub>	62	M9	PD1/INT9/TRG1	97	F13	PJ1/SOT3
28	K2	P50/A08	63	P10	PD2/INT10/TRG2	98	F12	PJ0/SIN3
29	K3	P51/A09	64	N10	PD3/INT11/TRG3	99	E14	PI5/SCK2
30	L1	P52/A10	65	M10	PD4/INT12/TRG4	100	E13	PI4/SOT2
31	L2	P53/A11	66	P11	PD5/INT13/TRG5	101	E12	PI3/SIN2
32	L3	P54/A12	67	N11	PD6/DEOP2/INT14	102	D14	PI2/SCK1
33	M2	P55/A13	68	M11	PD7/ $\overline{\text{ATG}}$ /INT15	103	D13	PI1/SOT1
34	M1	P56/A14	69	N12	PE0/ZIN0	104	D12	PI0/SIN1
35	N1	P57/A15	70	P12	PE1/ZIN1	105	C13	PH2/SCK0

(Continued) www.DataSheet4U.com

# MB91133/MB91F133

(Continued)

LQFP	FBGA	Pin Name	LQFP	FBGA	Pin Name
106	C14	PH1/SOT0	126	C8	PL0/DREQ0
107	B14	PH0/SIN0	127	C7	PL1/DACK0
108	A14	V <sub>cc5</sub>	128	A7	PL2/DEOP0
109	B13	DA2	129	B7	PL3/DREQ1
110	A13	DA1	130	D7	PL4/DACK1
111	B12	DA0	131	D6	PL5/DEOP1
112	A12	DAVS	132	A6	PL6/DREQ2
113	C12	DAVC	133	B6	PL7/DACK2
114	B11	AV <sub>cc</sub>	134	C6	$\overline{\text{RST}}$
115	A11	AVRH	135	A5	V <sub>ss</sub>
116	C11	AVRL	136	B5	X0A
117	B10	AV <sub>ss</sub>	137	C5	X1A
118	A10	PK0/AN0	138	A4	V <sub>cc3</sub>
119	C10	PK1/AN1	139	B4	X0
120	B9	PK2/AN2	140	C4	X1
121	A9	PK3/AN3	141	B3	V <sub>ss</sub>
122	C9	PK4/AN4	142	A3	MD0
123	D8	PK5/AN5	143	A2	MD1
124	B8	PK6/AN6	144	A1	MD2
125	A8	PK7/AN7/CMP			

# MB91133/MB91F133

## ■ PIN DESCRIPTIONS

Pin No.	Pin name	Circuit type	Function
1 2 3 4 5 6 7 8	D16/P20 D17/P21 D18/P22 D19/P23 D20/P24 D21/P25 D22/P26 D23/P27	C	<b>External data bus bits 16 to 23</b> Only valid for external bus 16-bit mode. Can be used as ports in single-chip and external bus 8-bit modes.
10 11 12 13 14 15 16 17	D24/P30 D25/P31 D26/P32 D27/P33 D28/P34 D29/P35 D30/P36 D31/P37	C	<b>External data bus bits 24 to 31</b> Can be used as ports in single-chip mode.
18 19 20 21 22 23 24 25 28 29 30 31 32 33 34 35	A00/P40 A01/P41 A02/P42 A03/P43 A04/P44 A05/P45 A06/P46 A07/P47 A08/P50 A09/P51 A10/P52 A11/P53 A12/P54 A13/P55 A14/P56 A15/P57	F	<b>External address bus bits 0 to 15</b> Valid for external bus mode. Can be used as ports in single-chip mode.
36 37 38 39 40 41 42 43	A16/INT16/P60 A17/INT17/P61 A18/INT18/P62 A19/INT19/P63 A20/INT20/P64 A21/INT21/P65 A22/INT22/P66 A23/INT23/P67	O	<b>External address bus bits 16 to 23</b> [ INT16 to 23 ] are external interruption request inputs 16 to 23. These inputs are always used when dealing with external interruptions is permitted, so output by ports should be stopped except when carried out intentionally. Can be used as ports when address bus and external interruption request input are not used.
45	RDY/P80	C	<b>External RDY input</b> This function is valid when external RDY input is permitted. "0" is input if the bus cycle being executed is not completed. Can be used as a port when the external RDY input is not used.

(Continued)

# MB91133/MB91F133

Pin No.	Pin name	Circuit type	Function
46	$\overline{\text{BGRNT}}/\text{P81}$	F	<b>External bus open reception output</b> This function is valid when external bus open reception output is permitted. "L" is output if the external bus is opened. Can be used as a port when the external bus open reception output is prohibited.
47	BRQ/P82	C	<b>External bus open request input</b> This function is valid when external bus open request input is permitted. "1" is input if the external bus requests to be opened. Can be used as a port when the external bus open request input is not used.
48	$\overline{\text{RD}}/\text{P83}$	F	<b>External bus read strobe output</b> This function is valid when external bus read strobe output is permitted. Can be used as a port when the external bus read strobe output is prohibited.
49	$\overline{\text{WR0}}/\text{P84}$	F	<b>External bus write strobe output</b> This function is valid in external bus mode. Can be used as a port in single-chip mode.
50	$\overline{\text{WR1}}/\text{P85}$	F	<b>External bus write strobe output</b> This function is valid in external bus mode and with 16-bit buses. Can be used as a port in single-chip mode or with external 8-bit bus.
51	CLK/P86	F	<b>System clock output</b> Outputs the same clock frequency as the external bus operation. Can be used as a port when it is not otherwise used.
53 54 55 56	INT0/PC0 INT1/PC1 INT2/PC2 INT3/PC3	H	<b>External interruption request inputs 0 to 3</b> These inputs are always used when dealing with external interruptions is permitted, so output by ports should be stopped except when carried out intentionally. Can be used to reset standby as input is permitted in this port under standby status. Can be used as ports when external interruption request input is not used.
57 58 59 60	AIN0/INT4/PC4 BIN0/INT5/PC5 AIN1/INT6/PC6 BIN1/INT7/PC7	H	<b>External interruption request inputs 4 to 7</b> These inputs are always used when dealing with external interruptions is permitted, so output by ports should be stopped except when carried out intentionally. Can be used to reset standby as input is permitted in these ports under standby status.  <b>[ AIN, BIN ] Up/down timer input</b> This input is always used when input is permitted, so output by ports should be stopped except when carried out intentionally. Can be used as a port when external interruption request input and up/down timer input are not used.

(Continued)

# MB91133/MB91F133

Pin No.	Pin name	Circuit type	Function
61 62 63 64 65 66 67 68	TRG0/INT8/PD0 TRG1/INT9/PD1 TRG2/INT10/PD2 TRG3/INT11/PD3 TRG4/INT12/PD4 TRG5/INT13/PD5 DEOP2/INT14/PD6 ATG/INT15/PD7	O	<p><b>External interruption request inputs 8 to 15</b> These inputs are always used when dealing with external interruptions is permitted, so output by ports should be stopped except when carried out intentionally.</p> <p><b>[ TRG0 to 5 ] These are external trigger inputs for PPG timers.</b></p> <p><b>[ DEOP2 ] DMA external transfer termination output</b> This function is valid when external transfer termination output specification of the DMA controller is permitted.</p> <p><b>[ ATG ] A/D converter external trigger input</b> These inputs are always used when they are selected as A/D initiation factors, so output by ports should be stopped except when carried out intentionally. Can be used as ports when not otherwise used.</p>
69 70	ZIN0/PE0 ZIN1/PE1	O	<p><b>Up/down timer input</b> These inputs are always used when input is permitted, so output by ports should be stopped except when carried out intentionally. Can be used as ports when up/down timer input is not used.</p>
71 72 73 74	IN0/PE2 IN1/PE3 IN2/PE4 IN3/PE5	F	<p><b>Input capture input</b> This function is valid when input capture activates input. Can be used as ports when input capture input is not used.</p>
75	FRCK/PE6	F	<p><b>External clock input pin of free-run timer</b> Can be used as a port when external clock input of free-run timer is not used.</p>
76	DTTI/PE7	F	<p><b>RTO pin level fixed input</b> Invalid when input is permitted in the waveform generation area. Can be used as a port when RTO pin level fixed input is not used.</p>
77 78 79 80 81 82 83 84	RTO0/PF0 RTO1/PF1 RTO2/PF2 RTO3/PF3 RTO4/PF4 RTO5/PF5 RTO6/PF6 RTO7/PF7	F	<p><b>Output compare event pins/waveform output pins in the waveform generation area</b> Can be used as ports when specification of the output compare event pin/waveform output pin of the waveform generation area is prohibited.</p>
85 86 87 88 89 90	PPG0/PG0 PPG1/PG1 PPG2/PG2 PPG3/PG3 PPG4/PG4 PPG5/PG5	F	<p><b>PPG timer output</b> This function is valid when output specification of the PPG timer is permitted. Can be used as ports when output specification of the PPG timer is prohibited.</p>
111 110 109	DA0 DA1 DA2	—	<p><b>D/A converter output</b> This function is valid when output specification of the D/A converter is permitted.</p>

# MB91133/MB91F133

Pin No.	Pin name	Circuit type	Function
107	SIN0/PH0	P	<b>UART0 data input</b> This input is always used when UART0 activates input, so output by ports should be stopped except when carried out intentionally. Can be used as a port when UART0 data input is not used.
106	SOT0/PH1	P	<b>UART0 data output</b> This function is valid when UART0 data output specification is permitted. Can be used as a port when UART0 data output specification is prohibited.
105	SCK0/PH2	P	<b>UART0 clock input/output</b> This function is valid when UART0 clock output specification is permitted. Can be used as a port when UART0 clock output specification is prohibited.
104	SIN1/PI0	P	<b>UART1 data input</b> This input is always used when UART1 activates input, so output by ports should be stopped except when carried out intentionally. Can be used as a port when UART1 data input is not used.
103	SOT1/PI1	P	<b>UART1 data output</b> This function is valid when UART1 data output specification is permitted. Can be used as a port when UART1 data output specification is prohibited.
102	SCK1/PI2	P	<b>UART1 clock input/output</b> This function is valid when UART1 clock output specification is permitted. Can be used as a port when UART1 clock output specification is prohibited.
101	SIN2/PI3	P	<b>UART2 data input</b> This input is always used when UART2 activates input, so output by ports should be stopped except when carried out intentionally. Can be used as a port when UART2 data input is not used.
100	SOT2/PI4	P	<b>UART2 data output</b> This function is valid when UART2 data output specification is permitted. Can be used as a port when UART2 data output specification is prohibited.
99	SCK2/PI5	P	<b>UART2 clock input/output</b> This function is valid when UART2 clock output specification is permitted. Can be used as a port when UART2 clock output specification is prohibited.
98	SIN3/PJ0	P	<b>UART3 data input</b> This input is always used when UART3 activates input, so output by ports should be stopped except when carried out intentionally. Can be used as a port when UART3 data input is not used.
97	SOT3/PJ1	P	<b>UART3 data output</b> This function is valid when UART3 data output specification is permitted. Can be used as a port when UART3 data output specification is prohibited.

(Continued) www.DataSheet4U.com

# MB91133/MB91F133

Pin No.	Pin name	Circuit type	Function
96	SCK3/PJ2	P	<b>UART3 clock input/output</b> This function is valid when UART3 clock output specification is permitted. Can be used as a port when UART3 clock output specification is prohibited.
95	SIN4/PJ3	P	<b>UART4 data input</b> This input is always used when UART4 activates input, so output by ports should be stopped except when carried out intentionally. Can be used as a port when UART4 data input is not used.
94	SOT4/PJ4	P	<b>UART4 data output</b> This function is valid when UART4 data output specification is permitted. Can be used as a port when UART4 data output specification is prohibited.
93	SCK4/PJ5	P	<b>UART4 clock input/output</b> This function is valid when UART4 clock output specification is permitted. Can be used as a port when UART4 clock output specification is prohibited.
118 119 120 121 122 123 124 125	AN0/PK0 AN1/PK1 AN2/PK2 AN3/PK3 AN4/PK4 AN5/PK5 AN6/PK6 CMP/AN7/PK7	N	<b>A/D converter analog input</b> This is valid when the AICK register specification is analog input.  <b>[ CMP ] level comparator input</b> Can be used as ports when A/D converter analog input is not used.
126	DREQ0/PL0	F	<b>DMA external transfer request input</b> This input is always used if selected as the transfer factor for the DMA controller, so output by ports should be stopped except when carried out intentionally. Can be used as a port when DMA external transfer request input is not used.
127	DACK0/PL1	F	<b>DMA external transfer request reception output</b> This function is valid when external transfer request reception output specification of the DMA controller is permitted. Can be used as a port when transfer request reception output specification of the DMA controller is prohibited.
128	DEOP0/PL2	F	<b>DMA external transfer termination output</b> This function is valid when external transfer termination output specification of the DMA controller is permitted.
129	DREQ1/PL3	F	<b>DMA external transfer request input</b> This input is always used if selected as the transfer factor for the DMA controller, so output by ports should be stopped except when carried out intentionally. Can be used as a port when DMA external transfer request input is not used.

(Continued)

# MB91133/MB91F133

(Continued)

Pin No.	Pin name	Circuit type	Function
130	DACK1/PL4	F	<b>DMA external transfer request reception output</b> This function is valid when external transfer request reception output specification of the DMA controller is permitted. Can be used as a port when transfer request reception output specification of the DMA controller is prohibited.
131	DEOP1/PL5	F	<b>DMA external transfer termination output</b> This function is valid when external transfer termination output specification of the DMA controller is permitted.
132	DREQ2/PL6	F	<b>DMA external transfer request input</b> This input is always used if selected as the transfer factor for the DMA controller, so output by ports should be stopped except when carried out intentionally. Can be used as a port when DMA external transfer request input is not used.
133	DACK2/PL7	F	<b>DMA external transfer request reception output</b> This function is valid when external transfer request reception output specification of the DMA controller is permitted. Can be used as a port when transfer request reception output specification of the DMA controller is prohibited.
134	$\overline{RST}$	B	<b>External reset input</b>
136 137	X0A X1A	K	<b>Oscillation pin for low-speed clock (32 kHz)</b>
139 140	X0 X1	A	<b>Oscillation pin for high-speed clock (16.5 MHz)</b>
142 143 144	MD0 MD1 MD2	G	<b>Mode pins</b> Basic MCU operation mode is set by these pins. They should be directly connected to V <sub>cc</sub> or V <sub>ss</sub> for use.
112	DAVS	—	<b>Ground pin of D/A converter (connected to analog ground)</b>
113	DAVC	—	<b>Power pin of D/A converter</b>
114	AV <sub>cc</sub>	—	<b>Power pin for A/D converter</b>
115	AVRH	—	<b>Reference voltage pin for A/D converter (high electric potential side)</b> When this pin is turned on/off, AVRH or more electric potential must be supplied to V <sub>cc</sub> .
116	AVRL	—	<b>Reference voltage pin for A/D converter (low electric potential side)</b>
117	AV <sub>ss</sub>	—	<b>Ground pin for A/D converter (connected to analog ground)</b>
27, 108	V <sub>cc5</sub>	—	<b>5 V power of digital circuit</b> Power must be connected to all V <sub>cc5</sub> pins for use.
44, 92 138	V <sub>cc3</sub>	—	<b>3 V power of digital circuit</b> Power must be connected to all V <sub>cc3</sub> pins for use.
9, 26, 52, 91, 135, 141	V <sub>ss</sub>	—	<b>Ground level of digital circuit</b>

Note : In most of the above pins, the input/output of the I/O ports and resources are multiplexed, such as [www.PataSheet4U.com](http://www.PataSheet4U.com)  
If the output from ports and resources of those pins compete with each other, the resource is given priority.



## ■ INPUT/OUTPUT CIRCUIT TYPES

Type	Circuit	Remarks
A		<ul style="list-style-type: none"> <li>High-speed oscillation circuit (16.5 MHz)</li> </ul> <p>Oscillation feedback resistance = approximately 1 M<math>\Omega</math> 3 V CMOS level input</p>
B		<ul style="list-style-type: none"> <li>With pull up resistance CMOS level input</li> </ul> <p>Pull-up resistance value = approximately 25 k<math>\Omega</math> (Typ.)</p>
C		<ul style="list-style-type: none"> <li>CMOS level input/output pin</li> </ul> <p>CMOS level output CMOS level input (with standby control)</p> <p><math>I_{OL} = 4 \text{ mA}</math></p>
F		<ul style="list-style-type: none"> <li>CMOS hysteresis input/output pin</li> </ul> <p>CMOS level output CMOS hysteresis input (with standby control)</p> <p><math>I_{OL} = 4 \text{ mA}</math></p>

# MB91133/MB91F133

Type	Circuit	Remarks
G		<ul style="list-style-type: none"> <li>CMOS level input pin</li> </ul> <p>CMOS level input (without standby control)</p> <p><math>I_{OL} = 4 \text{ mA}</math></p>
H		<ul style="list-style-type: none"> <li>CMOS hysteresis input/output pin with pull-up control</li> </ul> <p>CMOS level output CMOS hysteresis input (without standby control)</p> <p>Pull-up resistance value = approximately 50 k<math>\Omega</math> (Typ.)</p> <p><math>I_{OL} = 4 \text{ mA}</math></p>
K		<ul style="list-style-type: none"> <li>Clock oscillation circuit (32 kHz)</li> </ul> <p>Oscillation feedback resistance = approximately 4.5 M<math>\Omega</math>/3 V 3 V CMOS level input</p>
N		<ul style="list-style-type: none"> <li>Analog/CMOS level input/output pin</li> </ul> <p>CMOS level output CMOS level input (with standby control)</p> <p>Analog input (Analog input is valid when bit dealt by AIC is "1".)</p> <p><math>I_{OL} = 4 \text{ mA}</math></p>

(Continued)



# MB91133/MB91F133

## ■ HANDLING DEVICES

### 1. Points to Note on Handling Devices

#### (1) Latch-up prevention

Latch-up may occur by CMOS IC if a voltage in excess of  $V_{CC5}$  or lower than  $V_{SS}$  is applied to the input/output pins, or if the voltage exceeds the rating between  $V_{CC5}$  and  $V_{SS}$ . If latch-up occurs, the electrical current increases significantly and may destroy certain components due to excessive heat, so great care must be taken to ensure that the maximum rating is not exceeded during use.

#### (2) Handling Pins

- **Handling unused pins**

Input pins that are not used should be pulled up or down as they may cause erroneous operations if left open.

- **Handling N.C. pins**

N.C. pins must be opened for use.

- **Handling output pins**

Excessive electric current may flow if the output pin is shorted by the power source or other output pins, or connected to large loads. If such status is prolonged, the device is liable to be damaged, so great care must be taken to ensure that the usage volume does not exceed the maximum rating.

- **Mode pins (MD0 to MD2)**

Those pins must be directly connected to  $V_{CC5}$  or  $V_{SS}$  for use.

Pattern lengths between  $V_{CC5}$  or  $V_{SS}$  and each mode pin on the printed-circuit board should be arranged to be as short as possible to prevent the test mode from being erroneously turned on due to noise, and they should be connected with low impedance.

- **Power pins**

When there are a number of  $V_{CC5}/V_{CC3}/V_{SS}$ , those whose electrical potential must be the same within the device are connected to prevent erroneous operation such as latch-up for device design purposes, but those must be externally connected to a power source and earthed to follow the general output current standard and prevent erroneous operation of strobe signals due to increased ground level and reduction in unnecessary radiation.

Care must also be taken to ensure that they are connected to the  $V_{CC5}/V_{SS}$  or  $V_{CC3}/V_{SS}$  of this device at the lowest possible impedance from the source of the electrical current supply.

Furthermore, it is recommended that a ceramic capacitor of around 0.1  $\mu\text{F}$  be used to connect the  $V_{CC5}$  and  $V_{SS}$ , or  $V_{CC3}$  and  $V_{SS}$  near the device as a bypass capacitor.

- **Crystal oscillation circuits**

Noise near the X0, X1, X0A or X1A pins can cause erroneous operation. The printed-circuit board must be designed so that the X0, X1, X0A and X1A pins, crystal oscillator (or ceramic oscillator) and bypass capacitor to the ground can be arranged as close as possible.

Also, a printed-circuit board with grounded artwork enclosing the X0, X1, X0A and X1A pins is strongly recommended to ensure stable operation.

**(3) Points to note on usage****• External reset input**

“L” level should be input to the  $\overline{\text{RST}}$  pin, which is required for at least five machine cycles to ensure that the internal status is reset.

**• Oscillation pin**

Oscillation pin is 3 V CMOS input level.

**• External clock**

Use with an external clock is prohibited. A crystal (or ceramic) oscillator should be used.

**• Analog Power**

The  $\text{AV}_{\text{CC}}$  should always be used at the same electric potential as  $\text{V}_{\text{CC5}}$ . If the  $\text{V}_{\text{CC5}}$  is larger than the  $\text{AV}_{\text{CC}}$ , electricity may flow through pins AN 0 to AN 7.

**• Points to note for using level comparator**

When the level comparator is used, a reference current (IR) flows even though it is stopped. The stop mode must be turned on after prohibiting action of the level comparator.

**2. Points to Note on Turning On Power****•  $\overline{\text{RST}}$  pin handling**

The  $\overline{\text{RST}}$  pin must be started from “L” level when the power is turned on, and when the power is adjusted to the  $\text{V}_{\text{DD}}$  level, it should be changed to the “H” level after being left on for at least 5 cycles of the internal operation clock.

**• Original oscillation input**

The clock must be input until the waiting status for oscillation stability is reset in the event that power is turned on.

**• Power on reset**

“Power on reset” must be executed if power is turned on, but the power voltage falls below the guaranteed operating temperature and power is turned on again.

**• Order for turning on power**

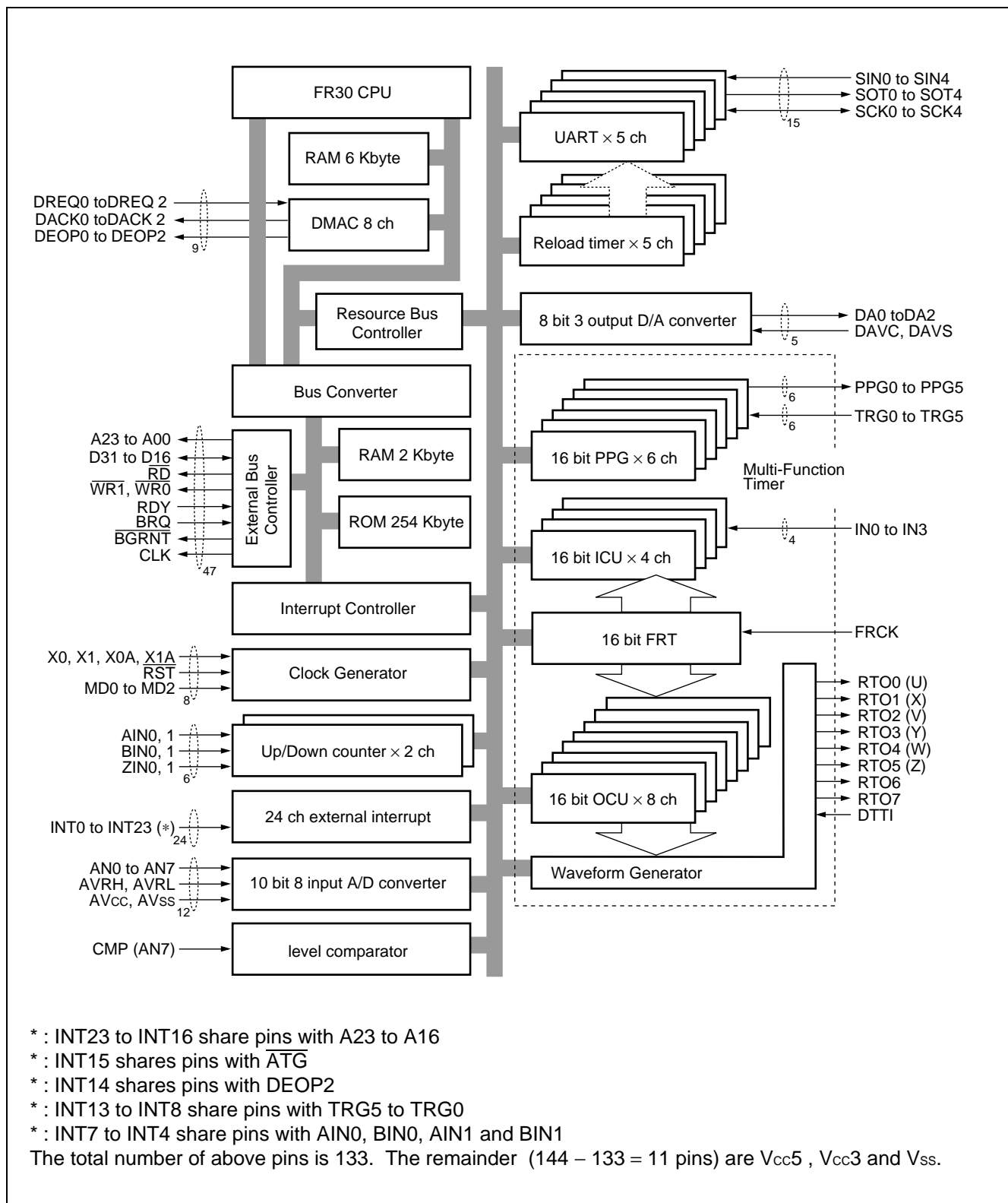
Power should be turned on in the following order.

$\text{V}_{\text{CC3}} \rightarrow \text{V}_{\text{CC5}} \rightarrow \text{AV}_{\text{CC}} \rightarrow \text{AVRH}$

The opposite order should be used when turning off.

# MB91133/MB91F133

## ■ BLOCK DIAGRAM

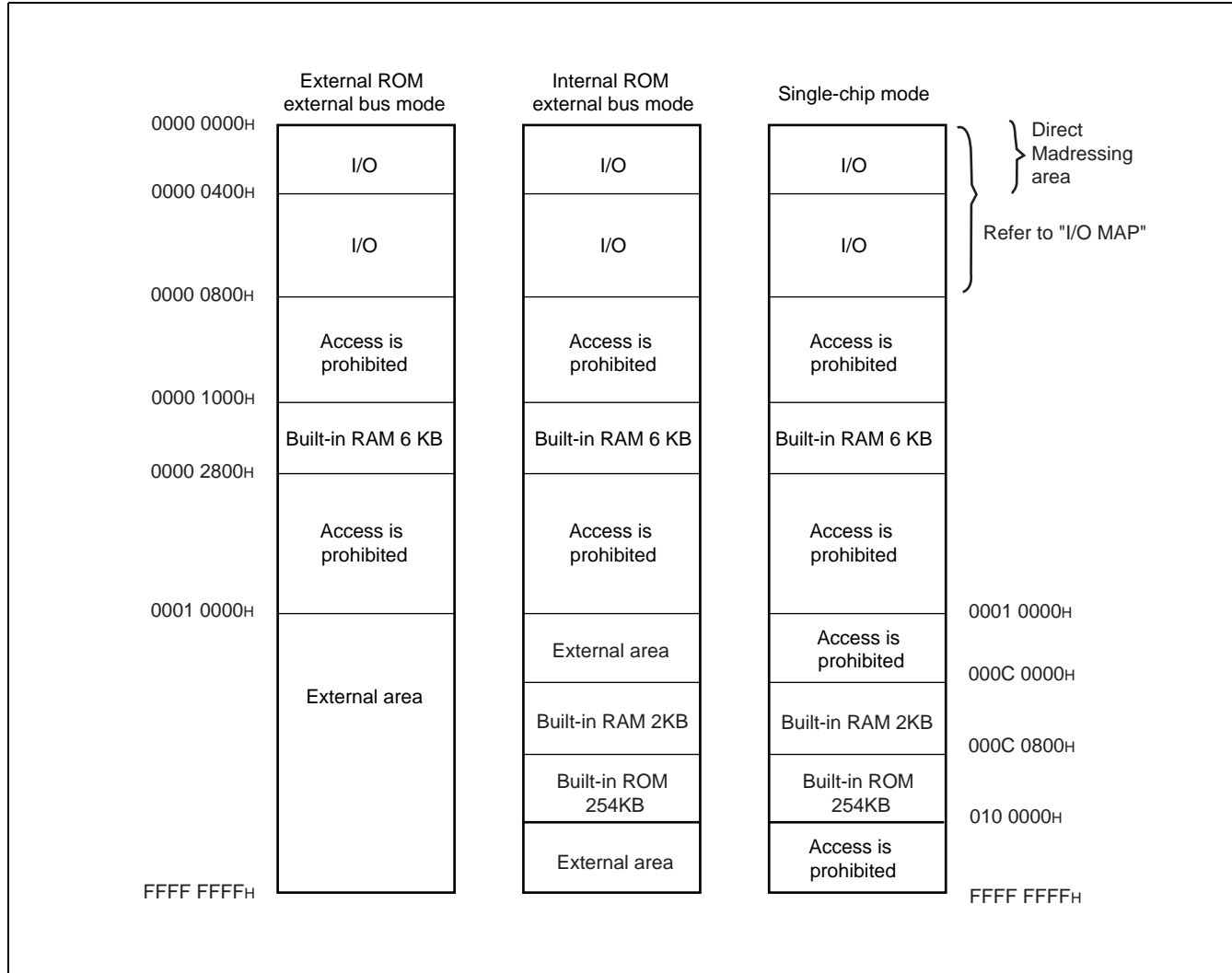


## ■ CPU

### 1. Memory Space

The FR series has 4 Gbytes ( $2^{32}$  addresses) of logic address space which the CPU accesses linearly.

#### • Memory Map



\* : It is impossible to access the external area on single-chip mode. When accessing the external area, select the internal ROM external bus mode.

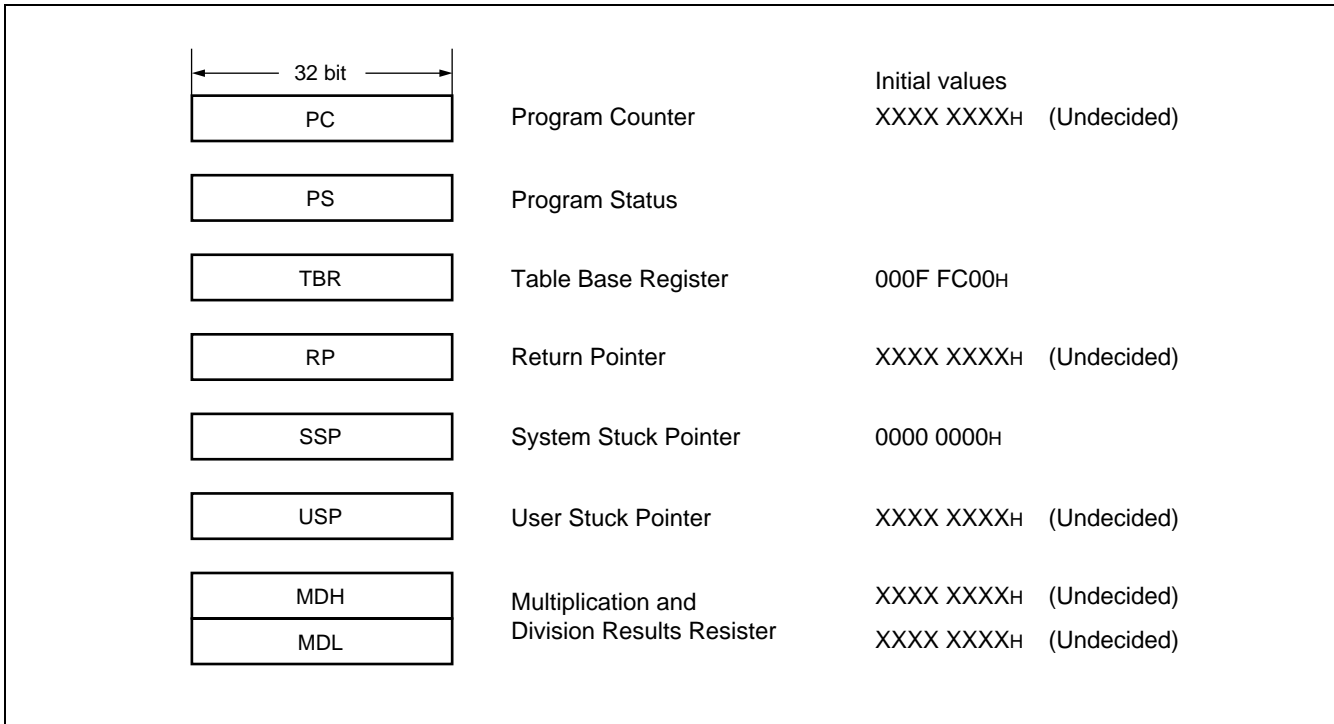
# MB91133/MB91F133

## 2. Registers

There are two types of multi-purpose registers in the FR family. One is a dedicated purpose register that exists within the CPU and the other is a multi-purpose register that exists in the memory.

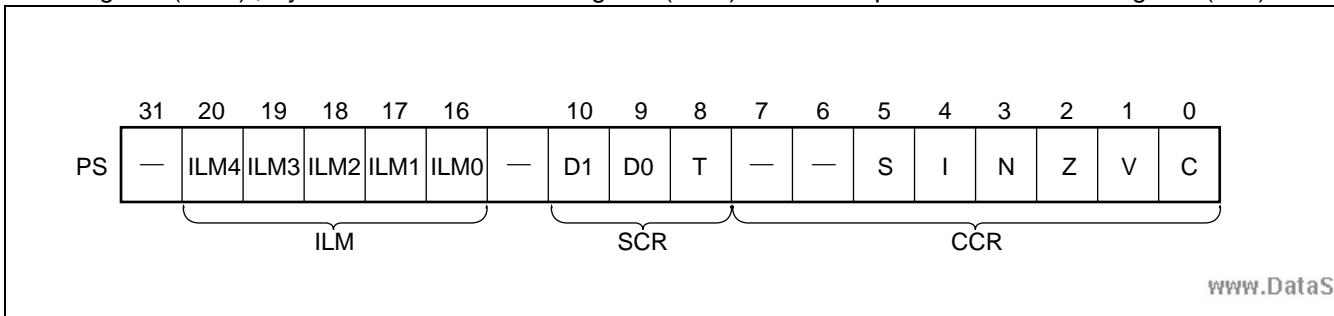
### • Dedicated Registers

- Program Counter (PC) : 32-bit length; indicates instruction storage position.
- Program Status (PS) : 32-bit length; stores register pointers and condition codes.
- Table Base Register (TBR) : Holds the starting address of the vector table to be used for Exception, Interruption and Trapping (EIT) .
- Return Pointer (RP) : Holds the address to return to from the sub-routine.
- System Stuck Pointer (SSP) : Indicates the system stuck position.
- User Stuck Pointer (USP) : Indicates the user's stuck position.
- Multiplication and Division Results Resister (MDH/MDL) : 32-bit length; act as registers for multiplication and division.



### • Program Status (PS)

PS is the register that holds the program status and is classified into three categories, namely, Condition Code Register (CCR) , System Condition Code Register (SCR) and Interruption Level Master Register (ILM) .





- **Condition Code Register (CCR)**

S flag : Specifies the stuck pointer to be used as R15.

I flag : Controls permission and prohibition of user interruption requests.

N flag : Indicates codes when computation results are defined as integers that are expressed in complements of 2.

Z flag : Indicates whether or not a result of the computation is "0" .

V flag : Operands used for computation are defined as integers expressed in complements of 2, and indicate whether or not an overflow is generated as a result of the computation.

C flag : Indicates whether carrying or borrowing is generated from the highest bit as a result of the computation.

- **System Condition Code Register (SCR)**

T flag : Specifies whether or not the step trace trap will be valid.

- **Interruption Level Mask Register (ILM)**

ILM4 to ILM0 : Holds the interruption level mask values, and those values that are held by the ILM are used for the level mask. Interruption requests can be accepted only when the interruption levels handled within the interruption requests to be input into the CPU are stronger than the levels shown by the ILM.

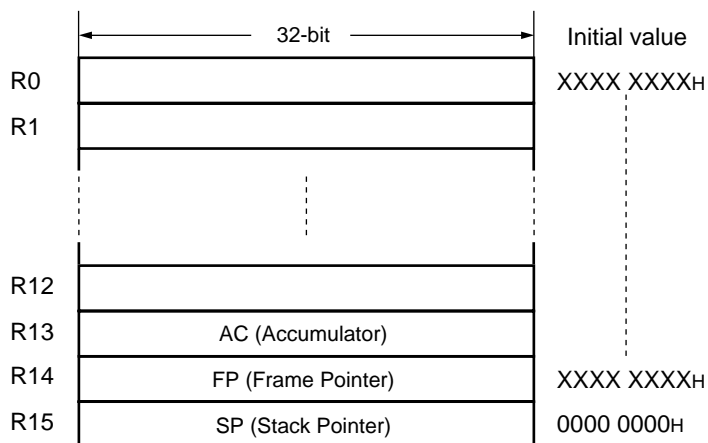
ILM4	ILM3	ILM2	ILM1	ILM0	Interruption level	Strength
0	0	0	0	0	0	Strong ↑ ↓ Weak
					⋮	
0	1	0	0	0	15	
					⋮	
1	1	1	1	1	31	

# MB91133/MB91F133

## ■ MULTI-PURPOSE REGISTERS

The multi-purpose registers are CPU registers R0 to R15 which are used as accumulators for various computations and memory access pointers (fields that indicate the address) .

### • Register bank configuration



Special purposes are assumed for the following 3 of the 16 registers. Thus, some instructions are emphasized.

- R13 : Virtual accumulator (AC)
- R14 : Frame Pointer (FP)
- R15 : Stack Pointer (SP)

Initial values for R0 to R14 on resetting are unspecified. The initial value of R15 will be 0000 0000H (SSP value) .

# MB91133/MB91F133

## MODE SETTING

### 1. Pins

#### • Mode pins and set mode

Mode pins			Mode name	Reset vector access areas	External data bus width	Bus modes
MD2	MD1	MD0				
0	0	0	External vector mode 0	External	8-bit	External ROM external bus mode
0	0	1	External vector mode 1	External	16-bit	
0	1	0	—	—	—	Setting is prohibited
0	1	1	Internal vector mode	Internal	(Mode register)	Single chip mode
1	—	—	—	—	—	Usage is prohibited

### 2. Register

#### Mode register (MODR) and set mode

Address 0000 07FF <sub>H</sub>	<table border="1"> <tr> <td>M1</td> <td>M0</td> <td>*</td> <td>*</td> <td>*</td> <td>*</td> <td>*</td> <td>*</td> </tr> </table>	M1	M0	*	*	*	*	*	*	Initial value XXXX XXXX <sub>B</sub>	Access W
M1	M0	*	*	*	*	*	*				
<p>W : Write only  X : Undecided  * : "0" should always be written for bits other than M1 and M0.</p>											

#### • Bus mode set bit and its functions

M1	M0	Functions	Remarks
0	0	Single chip mode	
0	1	Internal ROM external bus mode	
1	0	External ROM external bus mode	
1	1	—	Setting is prohibited

# MB91133/MB91F133

## ■ I/O MAP

Address	Register				Block
	+0	+1	+2	+3	
000000H	PDR3 (R/W) XXXXXXXX	PDR2 (R/W) XXXXXXXX	—		Port Data Register
000004H	—	PDR6 (R/W) XXXXXXXX	PDR5 (R/W) XXXXXXXX	PDR4 (R/W) XXXXXXXX	
000008H	—	—	—	PDR8 (R/W) -XXXXXXXX	
00000CH	—				
000010H	PDRF (R/W) XXXXXXXX	PDRE (R/W) XXXXXXXX	PDRD (R/W) XXXXXXXX	PDRC (R/W) XXXXXXXX	
000014H	PDRJ (R/W) --XXXXXX	PDRI (R/W) --XXXXXX	PDRH (R/W) -----XXX	PDRG (R/W) --XXXXXX	
000018H	LVLC (R/W) XXXX0000	—	PDRL (R/W) XXXXXXXX	PDRK (R/W) XXXXXXXX	Level Comparator
00001CH	SSR0 (R/W) 00001-00	SIDR0/SODR0 (R/W) XXXXXXXX	SCR0 (R/W) 00000100	SMR0 (R/W) 00000-00	UART0
000020H	SSR1 (R/W) 00001-00	SIDR1/SODR1 (R/W) XXXXXXXX	SCR1 (R/W) 00000100	SMR1 (R/W) 00000-00	UART1
000024H	SSR2 (R/W) 00001-00	SIDR2/SODR2 (R/W) XXXXXXXX	SCR2 (R/W) 00000100	SMR2 (R/W) 00000-00	UART2
000028H	TMRLR (W) XXXXXXXX XXXXXXXX		TMR (R) XXXXXXXX XXXXXXXX		Reload Timer 0
00002CH	—		TMCSR (R/W) ----0000 00000000		
000030H	TMRLR (W) XXXXXXXX XXXXXXXX		TMR (R) XXXXXXXX XXXXXXXX		Reload Timer 1
000034H	—		TMCSR (R/W) ----0000 00000000		
000038H	ADCR (R/W) 00101-XX XXXXXXXX		ADCS1 (R/W) 00000000	ADCS0 (R/W) 00000000	A/D Converter (Sequential type)
00003CH	TMRLR (W) XXXXXXXX XXXXXXXX		TMR (R) XXXXXXXX XXXXXXXX		Reload Timer 2
000040H	—		TMCSR (R/W) ----0000 00000000		

# MB91133/MB91F133

Address	Register				Block
	+0	+1	+2	+3	
000044 <sub>H</sub>	IPCP1 (R) XXXXXXXX XXXXXXXX		IPCP0 (R) XXXXXXXX XXXXXXXX		16-bit ICU
000048 <sub>H</sub>	IPCP3 (R) XXXXXXXX XXXXXXXX		IPCP2 (R) XXXXXXXX XXXXXXXX		
00004C <sub>H</sub>	—	ICS23 (R/W) 0 0 0 0 0 0 0 0	—	ICS01 (R/W) 0 0 0 0 0 0 0 0	
000050 <sub>H</sub>	—				Reserved
000054 <sub>H</sub>	OCCP1 (R/W) XXXXXXXX XXXXXXXX		OCCP0 (R/W) XXXXXXXX XXXXXXXX		16-bit OCU
000058 <sub>H</sub>	OCCP3 (R/W) XXXXXXXX XXXXXXXX		OCCP2 (R/W) XXXXXXXX XXXXXXXX		
00005C <sub>H</sub>	OCCP5 (R/W) XXXXXXXX XXXXXXXX		OCCP4 (R/W) XXXXXXXX XXXXXXXX		
000060 <sub>H</sub>	OCCP7 (R/W) XXXXXXXX XXXXXXXX		OCCP6 (R/W) XXXXXXXX XXXXXXXX		
000064 <sub>H</sub>	OCS32 (R/W) XXX 0 0 0 0 0 0 0 0 0 0 0 0 X X 0 0		OCS10 (R/W) XXX 0 0 0 0 0 0 0 0 0 0 0 0 X X 0 0		
000068 <sub>H</sub>	OCS76 (R/W) XXX 0 0 0 0 0 0 0 0 0 0 0 0 X X 0 0		OCS54 (R/W) XXX 0 0 0 0 0 0 0 0 0 0 0 0 X X 0 0		
00006C <sub>H</sub>	TCDT (R/W) 0 0 0 0 0 0 0 0 0 0 0 0 0 0 0 0		TCCS (R/W) 0----- 0 0 0 0 0 0 0 0		16-bit Free-run Timer
000070 <sub>H</sub>	SSR3 (R/W) 0 0 0 0 1 0 0 0	SIDR3/SODR3 (R/W) XXXXXXXX	SCR3 (R/W) 0 0 0 0 0 1 0 0	SMR3 (R/W) 0 0 0 0 0-0 0	UART3
000074 <sub>H</sub>	SSR4 (R/W) 0 0 0 0 1 0 0 0	SIDR4/SODR4 (R/W) XXXXXXXX	SCR4 (R/W) 0 0 0 0 0 1 0 0	SMR4 (R/W) 0 0 0 0 0-0 0	UART4
000078 <sub>H</sub>	CDCR1 (R/W) 0---0 0 0 0	—	CDCR0 (R/W) 0---0 0 0 0	—	Communication Pre-scalar
00007C <sub>H</sub>	CDCR3 (R/W) 0---0 0 0 0	—	CDCR2 (R/W) 0---0 0 0 0	—	
000080 <sub>H</sub>	—		CDCR4 (R/W) 0---0 0 0 0	—	

(Continued)

# MB91133/MB91F133

Address	Register				Block
	+0	+1	+2	+3	
000084 <sub>H</sub>	RCR1 (W) 00000000	RCR0 (W) 00000000	UDCR1 (R) 00000000	UDCR0 (R) 00000000	8-/16-bit U/D Counter
000088 <sub>H</sub>	CCRH0 (R/W) 00000000	CCRL0 (R/W) -0001000	—	CSR0 (R/W) 00000000	
00008C <sub>H</sub>	CCRH1 (R/W) -0000000	CCRL1 (R/W) -0001000	—	CSR1 (R/W) 00000000	
000090 <sub>H</sub>	—				Reserved
000094 <sub>H</sub>	EIRR0 (R/W) 00000000	ENIR0 (R/W) 00000000	EIRR1 (R/W) 00000000	ENIR1 (R/W) 00000000	Ext Int
000098 <sub>H</sub>	ELVR0 (R/W) 00000000 00000000		ELVR1 (R/W) 00000000 00000000		
00009C <sub>H</sub>	EIRR2 (R/W) 00000000	ENIR2 (R/W) 00000000	—		
0000A0 <sub>H</sub>	ELVR2 (R/W) 00000000 00000000		—		
0000A4 <sub>H</sub>	—	DACR2 (R/W) -----0	DACR1 (R/W) -----0	DACR0 (R/W) -----0	D/A Converter
0000A8 <sub>H</sub>	—	DADR2 (R/W) XXXXXXXX	DADR1 (R/W) XXXXXXXX	DADR0 (R/W) XXXXXXXX	
0000AC <sub>H</sub>	DTCR1 (R/W) 00000000	TMRR1 (R/W) XXXXXXXX	DTCR0 (R/W) 00000000	TMRR0 (R/W) XXXXXXXX	Waveform Generator
0000B0 <sub>H</sub>	—	SIGCR (R/W) 00000000	DTCR2 (R/W) 00000000	TMRR2 (R/W) XXXXXXXX	
0000B4 <sub>H</sub> to 0000BC <sub>H</sub>	—				Reserved
0000C0 <sub>H</sub>	—	PCRE (R/W) -----00	PCRD (R/W) 00000000	PCRC (R/W) 00000000	Pull-up Control
0000C4 <sub>H</sub>	PCRJ (R/W) --000000	PCRI (R/W) --000000	PCRH (R/W) -----000	—	
0000C8 <sub>H</sub>	OCRJ (R/W) --000000	OCRI (R/W) --000000	OCRH (R/W) -----000	—	Open-drain Control
0000CC <sub>H</sub>	—	—	—	AICK (R/W) 00000000	Analog Input Control

# MB91133/MB91F133

Address	Register				Block
	+0	+1	+2	+3	
0000D0 <sub>H</sub>	DDRF (R/W) 0 0 0 0 0 0 0 0	DDRE (R/W) 0 0 0 0 0 0 0 0	DDRD (R/W) 0 0 0 0 0 0 0 0	DDRC (R/W) 0 0 0 0 0 0 0 0	Data Direction Register
0000D4 <sub>H</sub>	DDRJ (R/W) --0 0 0 0 0 0	DDRI (R/W) --0 0 0 0 0 0	DDRH (R/W) ----0 0 0	DDRG (R/W) --0 0 0 0 0 0	
0000D8 <sub>H</sub>	—	—	DDRL (R/W) 0 0 0 0 0 0 0 0	DDRK (R/W) 0 0 0 0 0 0 0 0	
0000DC <sub>H</sub>	GCN1 (R/W) 0 0 1 1 0 0 1 0 0 0 0 1 0 0 0 0		—	GCN2 (R/W) 0 0 0 0 0 0 0 0	PPG ctl
0000E0 <sub>H</sub>	PTMR0 (R) 1 1 1 1 1 1 1 1 1 1 1 1 1 1 1 1		PCSR0 (W) XXXXXXXX XXXXXXXX		PPG0
0000E4 <sub>H</sub>	PDUT0 (W) XXXXXXXX XXXXXXXX		PCNH0 (R/W) 0 0 0 0 0 0 0 -	PCNL0 (R/W) 0 0 0 0 0 0 0 0	
0000E8 <sub>H</sub>	PTMR1 (R) 1 1 1 1 1 1 1 1 1 1 1 1 1 1 1 1		PCSR1 (W) XXXXXXXX XXXXXXXX		PPG1
0000EC <sub>H</sub>	PDUT1 (W) XXXXXXXX XXXXXXXX		PCNH1 (R/W) 0 0 0 0 0 0 0 -	PCNL1 (R/W) 0 0 0 0 0 0 0 0	
0000F0 <sub>H</sub>	PTMR2 (R) 1 1 1 1 1 1 1 1 1 1 1 1 1 1 1 1		PCSR2 (W) XXXXXXXX XXXXXXXX		PPG2
0000F4 <sub>H</sub>	PDUT2 (W) XXXXXXXX XXXXXXXX		PCNH2 (R/W) 0 0 0 0 0 0 0 -	PCNL2 (R/W) 0 0 0 0 0 0 0 0	
0000F8 <sub>H</sub>	PTMR3 (R) 1 1 1 1 1 1 1 1 1 1 1 1 1 1 1 1		PCSR3 (W) XXXXXXXX XXXXXXXX		PPG3
0000FC <sub>H</sub>	PDUT3 (W) XXXXXXXX XXXXXXXX		PCNH3 (R/W) 0 0 0 0 0 0 0 -	PCNL3 (R/W) 0 0 0 0 0 0 0 0	
000100 <sub>H</sub>	PTMR4 (R) 1 1 1 1 1 1 1 1 1 1 1 1 1 1 1 1		PCSR4 (W) XXXXXXXX XXXXXXXX		PPG4
000104 <sub>H</sub>	PDUT4 (W) XXXXXXXX XXXXXXXX		PCNH4 (R/W) 0 0 0 0 0 0 0 -	PCNL4 (R/W) 0 0 0 0 0 0 0 0	
000108 <sub>H</sub>	PTMR5 (R) 1 1 1 1 1 1 1 1 1 1 1 1 1 1 1 1		PCSR5 (W) XXXXXXXX XXXXXXXX		PPG5
00010C <sub>H</sub>	PDUT5 (W) XXXXXXXX XXXXXXXX		PCNH5 (R/W) 0 0 0 0 0 0 0 -	PCNL5 (R/W) 0 0 0 0 0 0 0 0	

(Continued)

# MB91133/MB91F133

Address	Register				Block
	+0	+1	+2	+3	
000110H	TMRLR (W) XXXXXXXX XXXXXXXX		TMR (R) XXXXXXXX XXXXXXXX		Reload Timer 3
000114H	—		TMCSR (R/W) ----0000 00000000		
000118H	TMRLR (W) XXXXXXXX XXXXXXXX		TMR (R) XXXXXXXX XXXXXXXX		Reload Timer 4
00011CH	—		TMCSR (R/W) ----0000 00000000		
000120H to 0001FCH	—				Reserved
000200H	DPDP (R/W) ----- -00000000				DMAC
000204H	DACSR (R/W) 00000000 00000000 00000000 00000000				
000208H	DATCR (R/W) XXXXXXXX XXXX0000 XXXX0000 XXXX0000				
00020CH	—				
000210H to 0003ECH	—				Reserved
0003F0H	BSD0 (W) XXXXXXXX XXXXXXXX XXXXXXXX XXXXXXXX				Bit Search Module
0003E4H	BSD1 (R/W) XXXXXXXX XXXXXXXX XXXXXXXX XXXXXXXX				
0003F8H	BSDC (W) XXXXXXXX XXXXXXXX XXXXXXXX XXXXXXXX				
0003FCH	BSRR (R) XXXXXXXX XXXXXXXX XXXXXXXX XXXXXXXX				
000400H	ICR00 (R/W) ----1111	ICR01 (R/W) ----1111	ICR02 (R/W) ----1111	ICR03 (R/W) ----1111	Interrupt Control Unit
000404H	ICR04 (R/W) ----1111	ICR05 (R/W) ----1111	ICR06 (R/W) ----1111	ICR07 (R/W) ----1111	
000408H	ICR08 (R/W) ----1111	ICR09 (R/W) ----1111	ICR10 (R/W) ----1111	ICR11 (R/W) ----1111	



# MB91133/MB91F133

Address	Register				Block
	+0	+1	+2	+3	
00040 <sub>H</sub>	ICR12 (R/W) ----1111	ICR13 (R/W) ----1111	ICR14 (R/W) ----1111	ICR15 (R/W) ----1111	Interrupt Control Unit
00041 <sub>H</sub>	ICR16 (R/W) ----1111	ICR17 (R/W) ----1111	ICR18 (R/W) ----1111	ICR19 (R/W) ----1111	
000414 <sub>H</sub>	ICR20 (R/W) ----1111	ICR21 (R/W) ----1111	ICR22 (R/W) ----1111	ICR23 (R/W) ----1111	
000418 <sub>H</sub>	ICR24 (R/W) ----1111	ICR25 (R/W) ----1111	ICR26 (R/W) ----1111	ICR27 (R/W) ----1111	
00041C <sub>H</sub>	ICR28 (R/W) ----1111	ICR29 (R/W) ----1111	ICR30 (R/W) ----1111	ICR31 (R/W) ----1111	
000420 <sub>H</sub>	ICR32 (R/W) ----1111	ICR33 (R/W) ----1111	ICR34 (R/W) ----1111	ICR35 (R/W) ----1111	
000424 <sub>H</sub>	ICR36 (R/W) ----1111	ICR37 (R/W) ----1111	ICR38 (R/W) ----1111	ICR39 (R/W) ----1111	
000428 <sub>H</sub>	ICR40 (R/W) ----1111	ICR41 (R/W) ----1111	ICR42 (R/W) ----1111	ICR43 (R/W) ----1111	
00042C <sub>H</sub>	ICR44 (R/W) ----1111	ICR45 (R/W) ----1111	ICR46 (R/W) ----1111	ICR47 (R/W) ----1111	
000430 <sub>H</sub>	DICR (R/W) -----0	HRCL (R/W) ---11111	—		Delay Int
000434 <sub>H</sub> to 00047C <sub>H</sub>	—				Reserved
000480 <sub>H</sub>	RSRR/WTCR (R/W) 1XXXX-00	STCR (R/W) 000111--	PDRR (R/W) ----0000	CTBR (W) XXXXXXXX	Clock Control Unit
000484 <sub>H</sub>	GCR (R/W) 110011-1	WPR (W) XXXXXXXX	—		
000488 <sub>H</sub>	CT (R/W) 00--0-00	—			PLL Control
00048C <sub>H</sub> to 0005FC <sub>H</sub>	—				Reserved

(Continued)

# MB91133/MB91F133

Address	Register				Block
	+0	+1	+2	+3	
000600H	DDR3 (W) 00000000	DDR2 (W) 00000000	—	—	Data Direction Register
000604H	—	DDR6 (W) 00000000	DDR5 (W) 00000000	DDR4 (W) 00000000	
000608H	—	—	—	DDR8 (W) -0000000	
00060CH	ASR1 (W) 00000000 00000001		AMR1 (W) 00000000 00000000		T-unit
000610H	ASR2 (W) 00000000 00000010		AMR2 (W) 00000000 00000000		
000614H	ASR3 (W) 00000000 00000011		AMR3 (W) 00000000 00000000		
000618H	ASR4 (W) 00000000 00000100		AMR4 (W) 00000000 00000000		
00061CH	ASR5 (W) 00000000 00000101		AMR5 (W) 00000000 00000000		
000620H	AMD0 (R/W) ---00111	AMD1 (R/W) 0--00000	AMD32 (R/W) 00000000	AMD4 (R/W) 0--00000	
000624H	AMD5 (R/W) 0--00000	—			
000628H	EPCR0 (W) ----1100 -1-----		EPCR1 (W) ----- 11111111		
00062CH	—				
000630H	—	PCR6 (R/W) 00000000	—		
000634H to 0007BCH	—				Reserved
0007C0H	FLCR (R/W) 000X0000	—			FLASH Control
0007C4H	FWTC (R/W) -----000	—			
0007C8H to 0007F8H	—				Reserved

# MB91133/MB91F133

(Continued)

Address	Register				Block
	+0	+1	+2	+3	
0007FC <sub>H</sub>	—		LER (W) -----000	MODR (W) XXXXXXXX	Little Endian Register Mode Register

\*1 : Do not execute RMW instructions to registers with write-only bits.

\*2 : Do not execute write access to read-only or reserved registers except for particular requests.

\*3 : Data in areas with “-” or reserved ones are unspecified.

\*4 : RMW instructions (RMW : Read / Modify / Write)

AND Rj, @Ri	OR Rj, @Ri	EOR Rj, @Ri
ANDH Rj, @Ri	ORH Rj, @Ri	EORH Rj, @Ri
ANDB Rj, @Ri	ORB Rj, @Ri	EORB Rj, @Ri
BANDL #u4, @Ri	BORL #u4, @Ri	BEORL #u4, @Ri
BANDH #u4, @Ri	BORH #u4, @Ri	BEORH #u4, @Ri

# MB91133/MB91F133

## ■ INTERRUPTION VECTOR

Causes of MB91130 interruptions and allocation of interruption vectors and interruption control registers are described in the interruption vector table.

Interruption source	Interruption number		Interruption level <sup>*1</sup>	Offset	Address <sup>*2</sup> of TBR default
	Decimal	Hexadecimal			
Reset	0	00	—	3FC <sub>H</sub>	000FFFFC <sub>H</sub>
System reservation	1	01	—	3F8 <sub>H</sub>	000FFFF8 <sub>H</sub>
System reservation	2	02	—	3F4 <sub>H</sub>	000FFFF4 <sub>H</sub>
System reservation	3	03	—	3F0 <sub>H</sub>	000FFF0 <sub>H</sub>
System reservation	4	04	—	3EC <sub>H</sub>	000FFFE <sub>H</sub>
System reservation	5	05	—	3E8 <sub>H</sub>	000FFFE8 <sub>H</sub>
System reservation	6	06	—	3E4 <sub>H</sub>	000FFFE4 <sub>H</sub>
System reservation	7	07	—	3E0 <sub>H</sub>	000FFFE0 <sub>H</sub>
System reservation	8	08	—	3DC <sub>H</sub>	000FFFD <sub>H</sub>
System reservation	9	09	—	3D8 <sub>H</sub>	000FFFD8 <sub>H</sub>
System reservation	10	0A	—	3D4 <sub>H</sub>	000FFFD4 <sub>H</sub>
System reservation	11	0B	—	3D0 <sub>H</sub>	000FFFD0 <sub>H</sub>
System reservation	12	0C	—	3CC <sub>H</sub>	000FFFC <sub>H</sub>
System reservation	13	0D	—	3C8 <sub>H</sub>	000FFFC8 <sub>H</sub>
Exceptions to undefined instructions	14	0E	—	3C4 <sub>H</sub>	000FFFC4 <sub>H</sub>
System reservation	15	0F	—	3C0 <sub>H</sub>	000FFFC0 <sub>H</sub>
External interruption 0	16	10	ICR00	3BC <sub>H</sub>	000FFFB <sub>H</sub>
External interruption 1	17	11	ICR01	3B8 <sub>H</sub>	000FFFB8 <sub>H</sub>
External interruption 2	18	12	ICR02	3B4 <sub>H</sub>	000FFFB4 <sub>H</sub>
External interruption 3	19	13	ICR03	3B0 <sub>H</sub>	000FFFB0 <sub>H</sub>
External interruption 4	20	14	ICR04	3AC <sub>H</sub>	000FFFA <sub>H</sub>
External interruption 5	21	15	ICR05	3A8 <sub>H</sub>	000FFFA8 <sub>H</sub>
External interruption 6	22	16	ICR06	3A4 <sub>H</sub>	000FFFA4 <sub>H</sub>
External interruption 7	23	17	ICR07	3A0 <sub>H</sub>	000FFFA0 <sub>H</sub>
External interruption 8 to 15	24	18	ICR08	39C <sub>H</sub>	000FFF9C <sub>H</sub>
External interruption 16 to 23	25	19	ICR09	398 <sub>H</sub>	000FFF98 <sub>H</sub>
UART0 (Reception completion)	26	1A	ICR10	394 <sub>H</sub>	000FFF94 <sub>H</sub>
UART1 (Reception completion)	27	1B	ICR11	390 <sub>H</sub>	000FFF90 <sub>H</sub>
UART2 (Reception completion)	28	1C	ICR12	38C <sub>H</sub>	000FFF8C <sub>H</sub>
UART3 (Reception completion)	29	1D	ICR13	388 <sub>H</sub>	000FFF88 <sub>H</sub>
UART4 (Reception completion)	30	1E	ICR14	384 <sub>H</sub>	000FFF84 <sub>H</sub>

(Continued)

# MB91133/MB91F133

Interruptio n sauce	Interruptio n number		Interruptio n level <sup>1</sup>	Offset	Address <sup>2</sup> of TBR default
	Decimal	Hexadecimal			
UART0 (Transmission completion)	31	1F	ICR15	380 <sub>H</sub>	000FFF80 <sub>H</sub>
UART1 (Transmission completion)	32	20	ICR16	37C <sub>H</sub>	000FFF7C <sub>H</sub>
UART2 (Transmission completion)	33	21	ICR17	378 <sub>H</sub>	000FFF78 <sub>H</sub>
UART3 (Transmission completion)	34	22	ICR18	374 <sub>H</sub>	000FFF74 <sub>H</sub>
UART4 (Transmission completion)	35	23	ICR19	370 <sub>H</sub>	000FFF70 <sub>H</sub>
DMAC (end, error)	36	24	ICR20	36C <sub>H</sub>	000FFF6C <sub>H</sub>
Reload timer 0	37	25	ICR21	368 <sub>H</sub>	000FFF68 <sub>H</sub>
Reload timer 1	38	26	ICR22	364 <sub>H</sub>	000FFF64 <sub>H</sub>
Reload timer 2	39	27	ICR23	360 <sub>H</sub>	000FFF60 <sub>H</sub>
Reload timer 3	40	28	ICR24	35C <sub>H</sub>	000FFF5C <sub>H</sub>
Reload timer 4	41	29	ICR25	358 <sub>H</sub>	000FFF58 <sub>H</sub>
A/D (sequential type)	42	2A	ICR26	354 <sub>H</sub>	000FFF54 <sub>H</sub>
PPG0	43	2B	ICR27	350 <sub>H</sub>	000FFF50 <sub>H</sub>
PPG1	44	2C	ICR28	34C <sub>H</sub>	000FFF4C <sub>H</sub>
PPG2	45	2D	ICR29	348 <sub>H</sub>	000FFF48 <sub>H</sub>
PPG3	46	2E	ICR30	344 <sub>H</sub>	000FFF44 <sub>H</sub>
PPG4/5	47	2F	ICR31	340 <sub>H</sub>	000FFF40 <sub>H</sub>
Waveform generator	48	30	ICR32	33C <sub>H</sub>	000FFF3C <sub>H</sub>
U/D counter 0 (compare/ underflow-overflow, up/down invert)	49	31	ICR33	338 <sub>H</sub>	000FFF38 <sub>H</sub>
U/D counter 1 (compare/ underflow-overflow, up/down invert)	50	32	ICR34	334 <sub>H</sub>	000FFF34 <sub>H</sub>
ICU0 (load)	51	33	ICR35	330 <sub>H</sub>	000FFF30 <sub>H</sub>
ICU1 (load)	52	34	ICR36	32C <sub>H</sub>	000FFF2C <sub>H</sub>
ICU2 (load)	53	35	ICR37	328 <sub>H</sub>	000FFF28 <sub>H</sub>
ICU3 (load)	54	36	ICR38	324 <sub>H</sub>	000FFF24 <sub>H</sub>
OCU0 (matched)	55	37	ICR39	320 <sub>H</sub>	000FFF20 <sub>H</sub>
OCU1 (matched)	56	38	ICR40	31C <sub>H</sub>	000FFF1C <sub>H</sub>
OCU2 (matched)	57	39	ICR41	318 <sub>H</sub>	000FFF18 <sub>H</sub>
OCU3 (matched)	58	3A	ICR42	314 <sub>H</sub>	000FFF14 <sub>H</sub>
OCU4/5 (matched)	59	3B	ICR43	310 <sub>H</sub>	000FFF10 <sub>H</sub>
OCU6/7 (matched)	60	3C	ICR44	30C <sub>H</sub>	000FFF0C <sub>H</sub>
Level comparator	61	3D	ICR45	308 <sub>H</sub>	000FFF08 <sub>H</sub>
16-bit freerun timer	62	3E	ICR46	304 <sub>H</sub>	000FFF04 <sub>H</sub>
Delay interruptio n factor bit	63	3F	ICR47	300 <sub>H</sub>	000FFF00 <sub>H</sub>

# MB91133/MB91F133

(Continued)

Interruption source	Interruption number		Interruption level <sup>*1</sup>	Offset	Address <sup>*2</sup> of TBR default
	Decimal	Hexadecimal			
System reservation (used under REALOS <sup>*3</sup> )	64	40	—	2FC <sub>H</sub>	000FFEFC <sub>H</sub>
System reservation (used under REALOS <sup>*3</sup> )	65	41	—	2F8 <sub>H</sub>	000FFE8 <sub>H</sub>
Used under INT instruction	66	42	—	2F4 <sub>H</sub>	000FEF4 <sub>H</sub>
Used under INT instruction	67	43	—	2F0 <sub>H</sub>	000FEF0 <sub>H</sub>
Used under INT instruction	68	44	—	2EC <sub>H</sub>	000FEEC <sub>H</sub>
Used under INT instruction	69	45	—	2E8 <sub>H</sub>	000FEE8 <sub>H</sub>
Used under INT instruction	70	46	—	2E4 <sub>H</sub>	000FEE4 <sub>H</sub>
Used under INT instruction	71	47	—	2E0 <sub>H</sub>	000FEE0 <sub>H</sub>
Used under INT instruction	72	48	—	2DC <sub>H</sub>	000FEDC <sub>H</sub>
Used under INT instruction	73	49	—	2D8 <sub>H</sub>	000FED8 <sub>H</sub>
Used under INT instruction	74	4A	—	2D4 <sub>H</sub>	000FED4 <sub>H</sub>
Used under INT instruction	75	4B	—	2D0 <sub>H</sub>	000FED0 <sub>H</sub>
Used under INT instruction	76	4C	—	2CC <sub>H</sub>	000FECC <sub>H</sub>
Used under INT instruction	77	4D	—	2C8 <sub>H</sub>	000FEC8 <sub>H</sub>
Used under INT instruction	78	4E	—	2C4 <sub>H</sub>	000FEC4 <sub>H</sub>
Used under INT instruction	79	4F	—	2C0 <sub>H</sub>	000FEC0 <sub>H</sub>
Used under INT instruction	80 to 255	50 to FF	—	2BC <sub>H</sub> to 000 <sub>H</sub>	000FEBC <sub>H</sub> to 000FFC00 <sub>H</sub>

\*1 : ICR sets the interruption level for each interruption request using the register built into the interruption controller. ICR is prepared in accordance with each interruption request.

\*2 : TBR is the register that indicates the starting address of the vector table for EIT. Addresses with added offset values that are specified per TBR and EIT factor will be the vector addresses.

\*3 : 0X40, 0X41 interruptions for system codes are used in the event that REALOS/FR is used.

## ■ PERIPHERAL RESOURCES

### 1. Bus Interface

The bus interface controls the interface with external memory and external I/O.

#### • Bus Interface Characteristics

- 24-bit (16 MB) address output
- 16/8-bit bus width can be set.
- Insertion of programmable “automatic memory wait” (maximum of 7 cycles)
- Supports “little endian” mode
- Unused addresses / data pins can be used as I/O ports.
- Clock doubled should be used if the external bus exceeds 25 MHz. Bus speed is 1/2 of the CPU speed.

#### • Areas

A total of six types of chip selection areas are prepared for the bus interface. The position of each area can be randomly arranged per 64 KB at least using area selection registers (ASR1 to ASR 5) and area mask registers (AMR1 to AMR 5) in an area of 4 GB. The area 0 is allocated to space outside the area specified by ASR1 to ASR5. External areas other than 00010000<sub>H</sub> to 0005FFFF<sub>H</sub> are deemed area 0 on resetting.

There is no chip selection output pin so no setting is required. Setting it has no effect on usage.

Figure 4.1-1 shows an example in which areas 1 to 5 are arranged from 00100000<sub>H</sub> to 0014FFFF<sub>H</sub> in 64 KB units. Also, Figure 4.1-2 shows an example in which area 1 is arranged as 00000000<sub>H</sub> to 0007FFFF<sub>H</sub> in 512 KB and areas 2 to 5 are arranged as 00100000<sub>H</sub> to 004FFFFF<sub>H</sub> in 1-MB units.

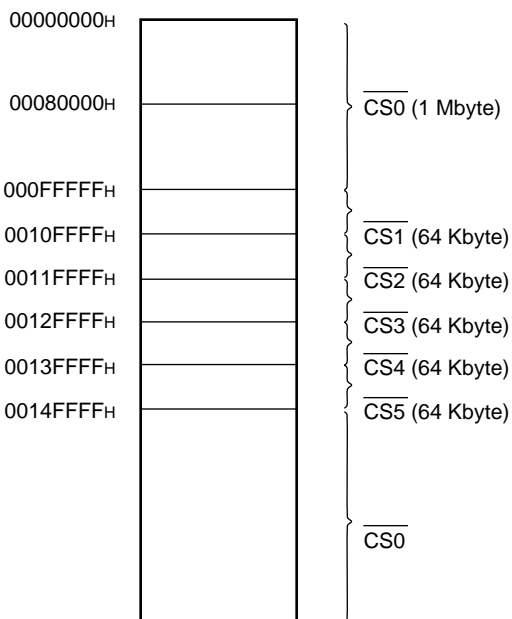


Figure 4.1-1  
Area Arrangement Example 1

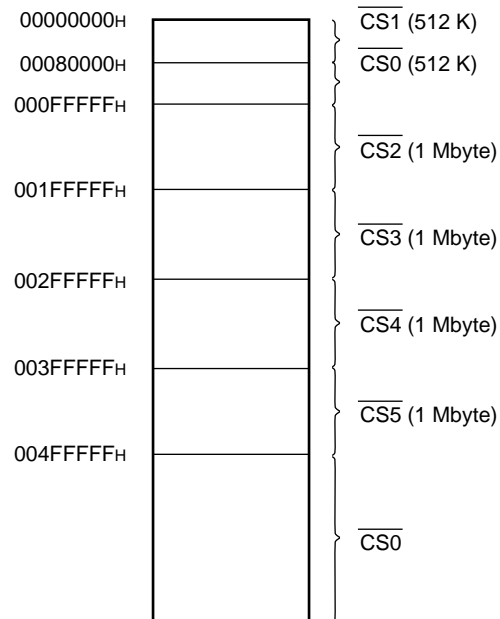
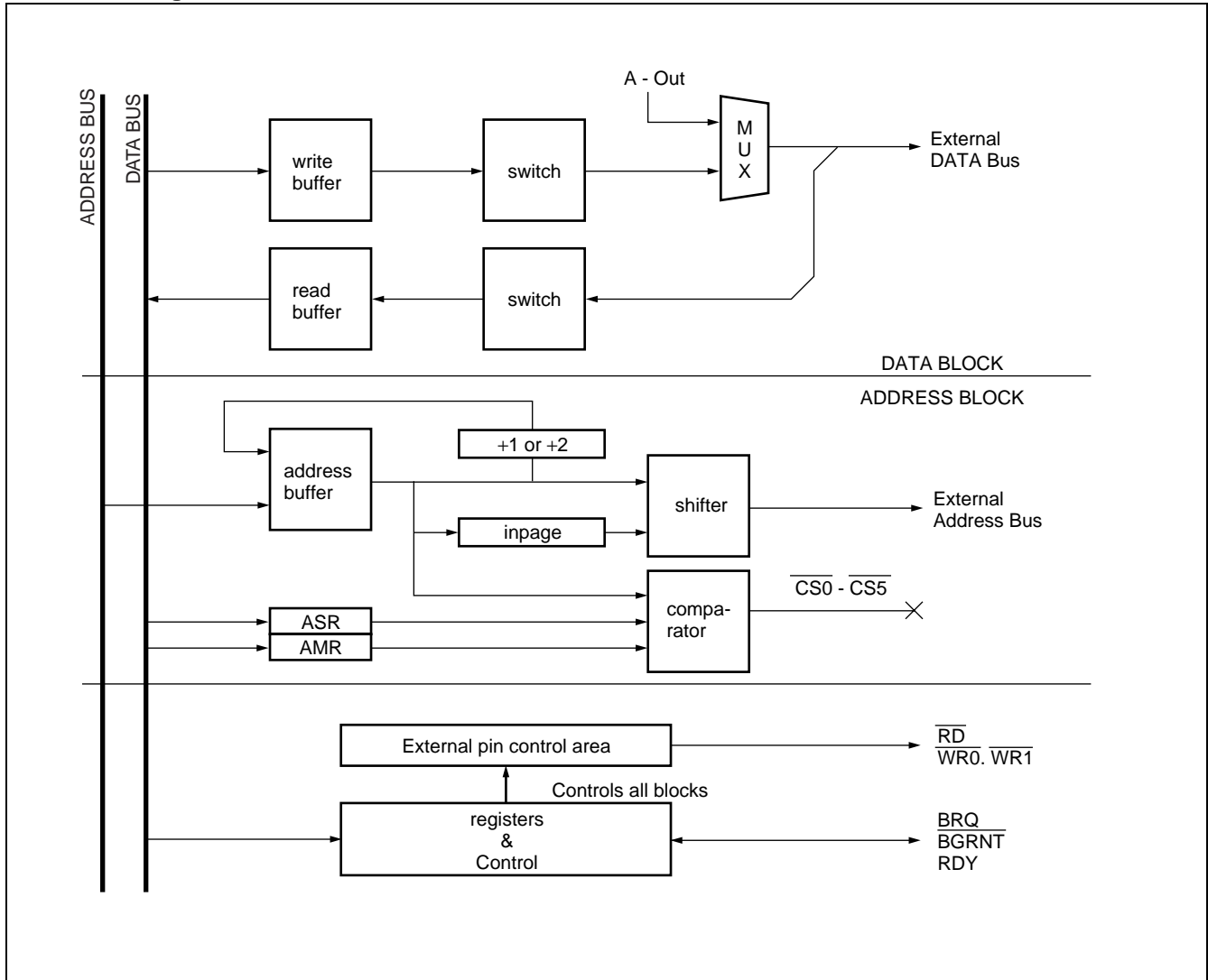


Figure 4.1-2  
Area Arrangement Example 2

# MB91133/MB91F133

• Block Diagram





## • Register List

Address	15	8	7	0	
0000060CH	ASR1				Area Select Register 1
0000060EH	AMR1				Area Mask Register 1
00000610H	ASR2				Area Select Register 2
00000612H	AMR2				Area Mask Register 2
00000614H	ASR3				Area Select Register 3
00000616H	AMR3				Area Mask Register 3
00000618H	ASR4				Area Select Register 4
0000061AH	AMR4				Area Mask Register 4
0000061CH	ASR5				Area Select Register 5
0000061EH	AMR5				Area Mask Register 5
00000620H	AMD0			AMD1	Area Mode Register 0 / Area Mode Register 1
00000622H	AMD32			AMD4	Area Mode Register 32 / Area Mode Register 4
00000624H	AMD5			—	Area Mode Register 5
00000626H	RFCR				ReFresh Control Register
0000062CH	DMCR4				DRAM Control Register 4
0000062EH	DMCR5				DRAM Control Register 4
00000688H	EPCR0			EPCR1	External Pin Control Register
000007FEH	LER			MODR	Little Endian Register / MODe Register

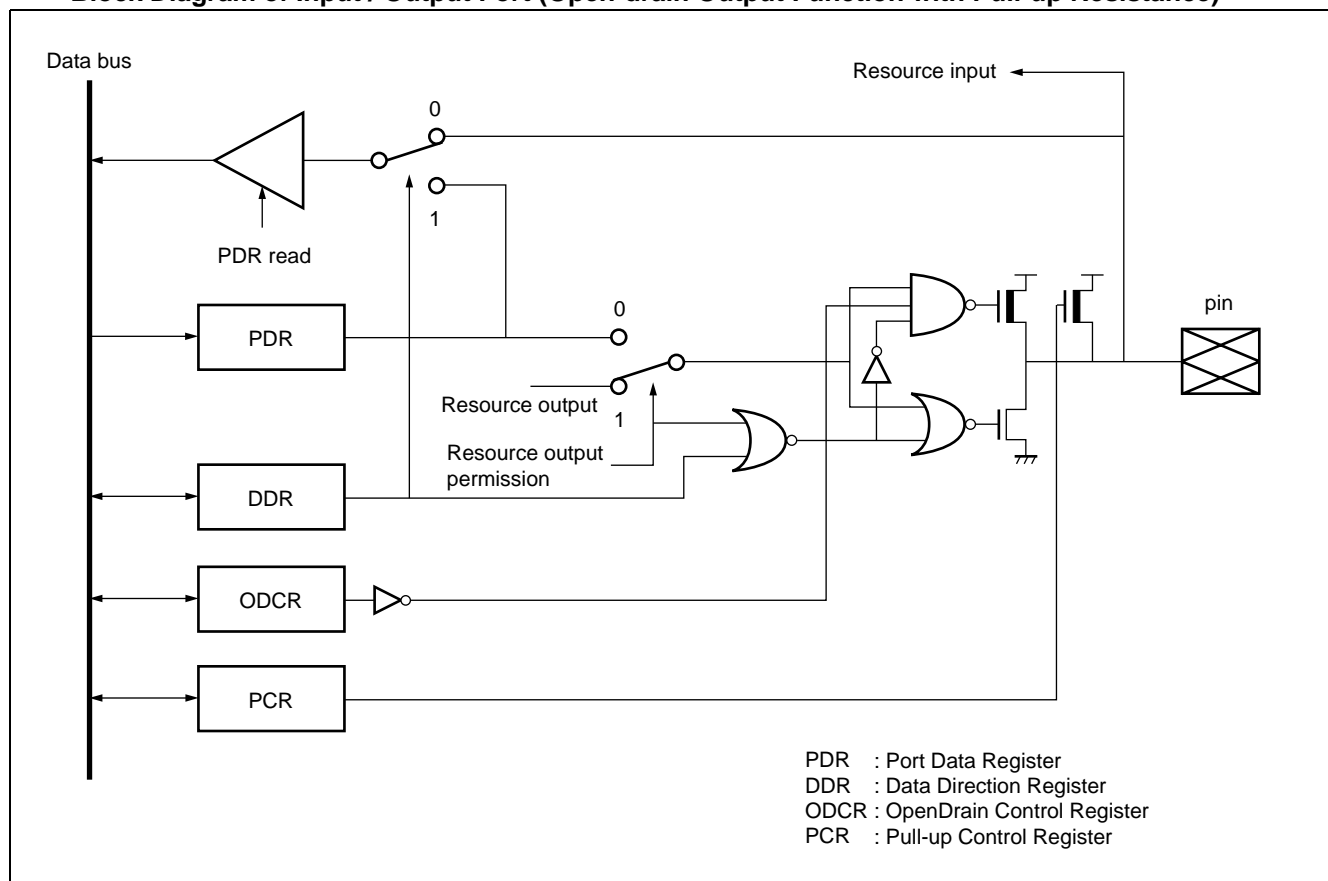
Note : Functional pins have not been prepared in the shaded area for MB91133/MB91F133, so these registers should not be accessed.





# MB91133/MB91F133

## • Block Diagram of Input / Output Port (Open-drain Output Function with Pull-up Resistance)



### • Pull-up resistance control register (PCR) R/W

Controls pull up resistance ON/OFF.

0 : Without pull-up resistance

1 : With pull-up resistance

### • Open-drain control register (ODCR) R/W

Controls open-drain in output mode.

0 : Standard output port in output mode

1 : Open-drain output port in output mode

Notes : • This has no meaning in input mode (output Hi-Z) . Input/output mode is decided by the Direction Register (DDR) .

• Pull-up resistance control register setting is handled as the priority in stop mode ( $\overline{HI\bar{Z}} = 1$ ) as well.

• Use of both the pull-up resistance control function and open-drain control function are prohibited when the pin concerned is used as an external bus pin. "1" should not be written in both registers.

# MB91133/MB91F133

## • Port Data Register (PDR)

PDR2	7	6	5	4	3	2	1	0	Initial value	Access
Address : 000001H	P27	P26	P25	P24	P23	P22	P21	P20	XXXXXXXX <sub>B</sub>	R/W
PDR3	7	6	5	4	3	2	1	0	Initial value	Access
Address : 000000H	P37	P36	P35	P34	P33	P32	P31	P30	XXXXXXXX <sub>B</sub>	R/W
PDR4	7	6	5	4	3	2	1	0	Initial value	Access
Address : 000007H	P47	P46	P45	P44	P43	P42	P41	P40	XXXXXXXX <sub>B</sub>	R/W
PDR5	7	6	5	4	3	2	1	0	Initial value	Access
Address : 000006H	P57	P56	P55	P54	P53	P52	P51	P50	XXXXXXXX <sub>B</sub>	R/W
PDR6	7	6	5	4	3	2	1	0	Initial value	Access
Address : 000005H	P67	P66	P65	P64	P63	P62	P61	P60	XXXXXXXX <sub>B</sub>	R/W
PDR8	7	6	5	4	3	2	1	0	Initial value	Access
Address : 00000BH	—	P86	P85	P84	P83	P82	P81	P80	- XXXXXXX <sub>B</sub>	R/W
PDRC	7	6	5	4	3	2	1	0	Initial value	Access
Address : 000013H	PC7	PC6	PC5	PC4	PC3	PC2	PC1	PC0	XXXXXXXX <sub>B</sub>	R/W
PDRD	7	6	5	4	3	2	1	0	Initial value	Access
Address : 000012H	PD7	PD6	PD5	PD4	PD3	PD2	PD1	PD0	XXXXXXXX <sub>B</sub>	R/W
PDRE	7	6	5	4	3	2	1	0	Initial value	Access
Address : 000011H	PE7	PE6	PE5	PE4	PE3	PE2	PE1	PE0	XXXXXXXX <sub>B</sub>	R/W
PDRF	7	6	5	4	3	2	1	0	Initial value	Access
Address : 000010H	PF7	PF6	PF5	PF4	PF3	PF2	PF1	PF0	XXXXXXXX <sub>B</sub>	R/W
PDRG	7	6	5	4	3	2	1	0	Initial value	Access
Address : 000017H	—	—	PG5	PG4	PG3	PG2	PG1	PG0	-- XXXXXXX <sub>B</sub>	R/W
PDRH	7	6	5	4	3	2	1	0	Initial value	Access
Address : 000016H	—	—	—	—	—	PH2	PH1	PH0	-----XXX <sub>B</sub>	R/W
PDRI	7	6	5	4	3	2	1	0	Initial value	Access
Address : 000015H	—	—	PI5	PI4	PI3	PI2	PI1	PI0	-- XXXXXXX <sub>B</sub>	R/W
PDRJ	7	6	5	4	3	2	1	0	Initial value	Access
Address : 000014H	—	—	PJ5	PJ4	PJ3	PJ2	PJ1	PJ0	-- XXXXXXX <sub>B</sub>	R/W
PDRK	7	6	5	4	3	2	1	0	Initial value	Access
Address : 00001BH	PK7	PK6	PK5	PK4	PK3	PK2	PK1	PK0	XXXXXXXX <sub>B</sub>	R/W
PDRL	7	6	5	4	3	2	1	0	Initial value	Access
Address : 00001AH	PL7	PL6	PL5	PL4	PL3	PL2	PL1	PL0	XXXXXXXX <sub>B</sub>	R/W

PDR2 to L are input/output data registers of the I/O port.  
Input/output control is carried out by DDR2 to L that are handled.

# MB91133/MB91F133

## • Data Direction Register (DDR)

DDR2 Address : 000601 <sub>H</sub>	7 6 5 4 3 2 1 0 P27 P26 P25 P24 P23 P22 P21 P20	Initial value 00000000 <sub>B</sub>	Access W
DDR3 Address : 000600 <sub>H</sub>	7 6 5 4 3 2 1 0 P37 P36 P35 P34 P33 P32 P31 P30	Initial value 00000000 <sub>B</sub>	Access W
DDR4 Address : 000607 <sub>H</sub>	7 6 5 4 3 2 1 0 P47 P46 P45 P44 P43 P42 P41 P40	Initial value 00000000 <sub>B</sub>	Access W
DDR5 Address : 000606 <sub>H</sub>	7 6 5 4 3 2 1 0 P57 P56 P55 P54 P53 P52 P51 P50	Initial value 00000000 <sub>B</sub>	Access W
DDR6 Address : 000605 <sub>H</sub>	7 6 5 4 3 2 1 0 P67 P66 P65 P64 P63 P62 P61 P60	Initial value 00000000 <sub>B</sub>	Access W
DDR8 Address : 00060B <sub>H</sub>	7 6 5 4 3 2 1 0 — P86 P85 P84 P83 P82 P81 P80	Initial value - 0000000 <sub>B</sub>	Access W
DDRC Address : 0000D3 <sub>H</sub>	7 6 5 4 3 2 1 0 PC7 PC6 PC5 PC4 PC3 PC2 PC1 PC0	Initial value 00000000 <sub>B</sub>	Access R/W
DDR D Address : 0000D2 <sub>H</sub>	7 6 5 4 3 2 1 0 PD7 PD6 PD5 PD4 PD3 PD2 PD1 PD0	Initial value 00000000 <sub>B</sub>	Access R/W
DDRE Address : 0000D1 <sub>H</sub>	7 6 5 4 3 2 1 0 PE7 PE6 PE5 PE4 PE3 PE2 PE1 PE0	Initial value 00000000 <sub>B</sub>	Access R/W
DDRF Address : 0000D0 <sub>H</sub>	7 6 5 4 3 2 1 0 PF7 PF6 PF5 PF4 PF3 PF2 PF1 PF0	Initial value 00000000 <sub>B</sub>	Access R/W
DDRG Address : 0000D7 <sub>H</sub>	7 6 5 4 3 2 1 0 — — PG5 PG4 PG3 PG2 PG1 PG0	Initial value - - 000000 <sub>B</sub>	Access R/W
DDRH Address : 0000D6 <sub>H</sub>	7 6 5 4 3 2 1 0 — — — — — PH2 PH1 PH0	Initial value - - - - 000 <sub>B</sub>	Access R/W
DDRI Address : 0000D5 <sub>H</sub>	7 6 5 4 3 2 1 0 — — PI5 PI4 PI3 PI2 PI1 PI0	Initial value - - 000000 <sub>B</sub>	Access R/W
DDRJ Address : 0000D4 <sub>H</sub>	7 6 5 4 3 2 1 0 — — PJ5 PJ4 PJ3 PJ2 PJ1 PJ0	Initial value - - 000000 <sub>B</sub>	Access R/W
DDRK Address : 0000DB <sub>H</sub>	7 6 5 4 3 2 1 0 PK7 PK6 PK5 PK4 PK3 PK2 PK1 PK0	Initial value 00000000 <sub>B</sub>	Access R/W
DDRL Address : 0000DA <sub>H</sub>	7 6 5 4 3 2 1 0 PL7 PL6 PL5 PL4 PL3 PL2 PL1 PL0	Initial value 00000000 <sub>B</sub>	Access R/W

DDR0 to L control input/output direction of the I/O ports handled per bit.

DDR = 0 : Port input      DDR = 1 : Port output      "0" must be written into the empty bit.

# MB91133/MB91F133

## • Pull up Control Register (PCR)

PCR6 Address : 000631 <sub>H</sub>	7	6	5	4	3	2	1	0	Initial value	Access
	P67	P66	P65	P64	P63	P62	P61	P60	00000000 <sub>B</sub>	R/W
PCRC Address : 0000C3 <sub>H</sub>	7	6	5	4	3	2	1	0	Initial value	Access
	PC7	PC6	PC5	PC4	PC3	PC2	PC1	PC0	00000000 <sub>B</sub>	R/W
PCRD Address : 0000C2 <sub>H</sub>	7	6	5	4	3	2	1	0	Initial value	Access
	PD7	PD6	PD5	PD4	PD3	PD2	PD1	PD0	00000000 <sub>B</sub>	R/W
PCRE Address : 0000C1 <sub>H</sub>	7	6	5	4	3	2	1	0	Initial value	Access
	—	—	—	—	—	—	PE1	PE0	-----00 <sub>B</sub>	R/W
PCRH Address : 0000C6 <sub>H</sub>	7	6	5	4	3	2	1	0	Initial value	Access
	—	—	—	—	—	PH2	PH1	PH0	-----000 <sub>B</sub>	R/W
PCRI Address : 0000C5 <sub>H</sub>	7	6	5	4	3	2	1	0	Initial value	Access
	—	—	PI5	PI4	PI3	PI2	PI1	PI0	--000000 <sub>B</sub>	R/W
PCRJ Address : 0000C4 <sub>H</sub>	7	6	5	4	3	2	1	0	Initial value	Access
	—	—	PJ5	PJ4	PJ3	PJ2	PJ1	PJ0	--000000 <sub>B</sub>	R/W

PCR6 to J carry out pull-up resistance control of the I/O ports handled.

PCR = 0 : Pull-up resistance turned off

PCR = 1 : Pull-up resistance turned on

## • Open-drain Control Register (ODCR)

OCRH Address : 0000CA <sub>H</sub>	7	6	5	4	3	2	1	0	Initial value	Access
	—	—	—	—	—	PH2	PH1	PH0	-----000 <sub>B</sub>	R/W
OCRI Address : 0000C9 <sub>H</sub>	7	6	5	4	3	2	1	0	Initial value	Access
	—	—	PI5	PI4	PI3	PI2	PI1	PI0	--000000 <sub>B</sub>	R/W
OCRJ Address : 0000C8 <sub>H</sub>	7	6	5	4	3	2	1	0	Initial value	Access
	—	—	PJ5	PJ4	PJ3	PJ2	PJ1	PJ0	--000000 <sub>B</sub>	R/W

OCRH to J carry out open-drain control in output mode of the I/O ports handled.

OCR = 0 : Standard output port in output mode

OCR = 1 : Open-drain output port in output mode

This has no meaning in input mode (output Hi-z) .

# MB91133/MB91F133

## • Analog Input Control Register (AICK)

AICK	7	6	5	4	3	2	1	0	Initial value	Access
Address : 0000CF <sub>H</sub>	PK7	PK6	PK5	PK4	PK3	PK2	PK1	PK0	00000000 <sub>B</sub>	R/W

AICK controls each pin of the I/O ports handled as follows.

AIC = 0 : Analog input mode

AIC = 1 : Port input mode

Set to "0" when reset.



### 3. 8/16-bit Up/Down Counter / Timer

8/16-bit up/down counter / timer is configured of event input pins  $\times$  6, 8-bit up/down counters  $\times$  2, 8-bit reload / compare registers  $\times$  2 and their control circuits.

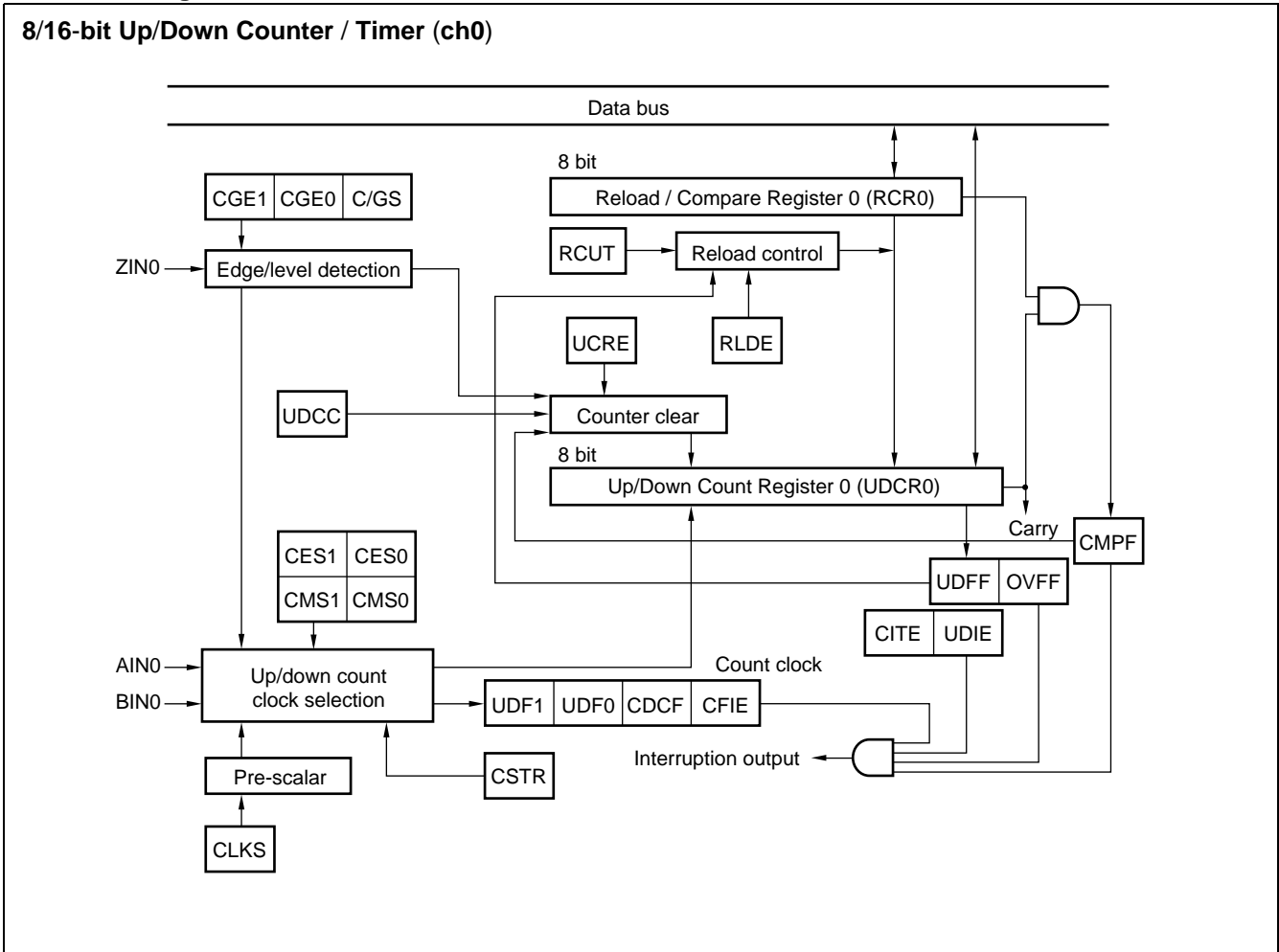
- **Characteristics of 8/16-bit Up/Down Counter / Timer**

- Counting from (0) d to (256) d is possible using an 8-bit counting register.  
(Counting from (0) d to (65535) d is possible in 16-bit  $\times$  1 operation mode.)
- 4 types of counting mode can be selected by the count clock
- Selection can be made from two types of internal clock as the count clock in timer mode.
- Detection edge of the external pin input signals can be selected in up/down count mode.
- Phase difference count mode is suited to count encoders such as motors. Turning angle and turning number, etc., can easily and accurately be counted by separately inputting phase A, B and Z outputs of the encoder.
- Selection can be made from two function types for the ZIN pin (valid for all modes) .
- Compare and reload functions are featured, and each function can be used alone or in combination.  
Up/down counting with random width can be carried out using both functions in combination.
- The count direction directly before can be identified by the count direction flag.
- Generation of interruptions in case of compared match, reload (underflow) or overflow and in cases where the count direction is changed can be controlled separately.

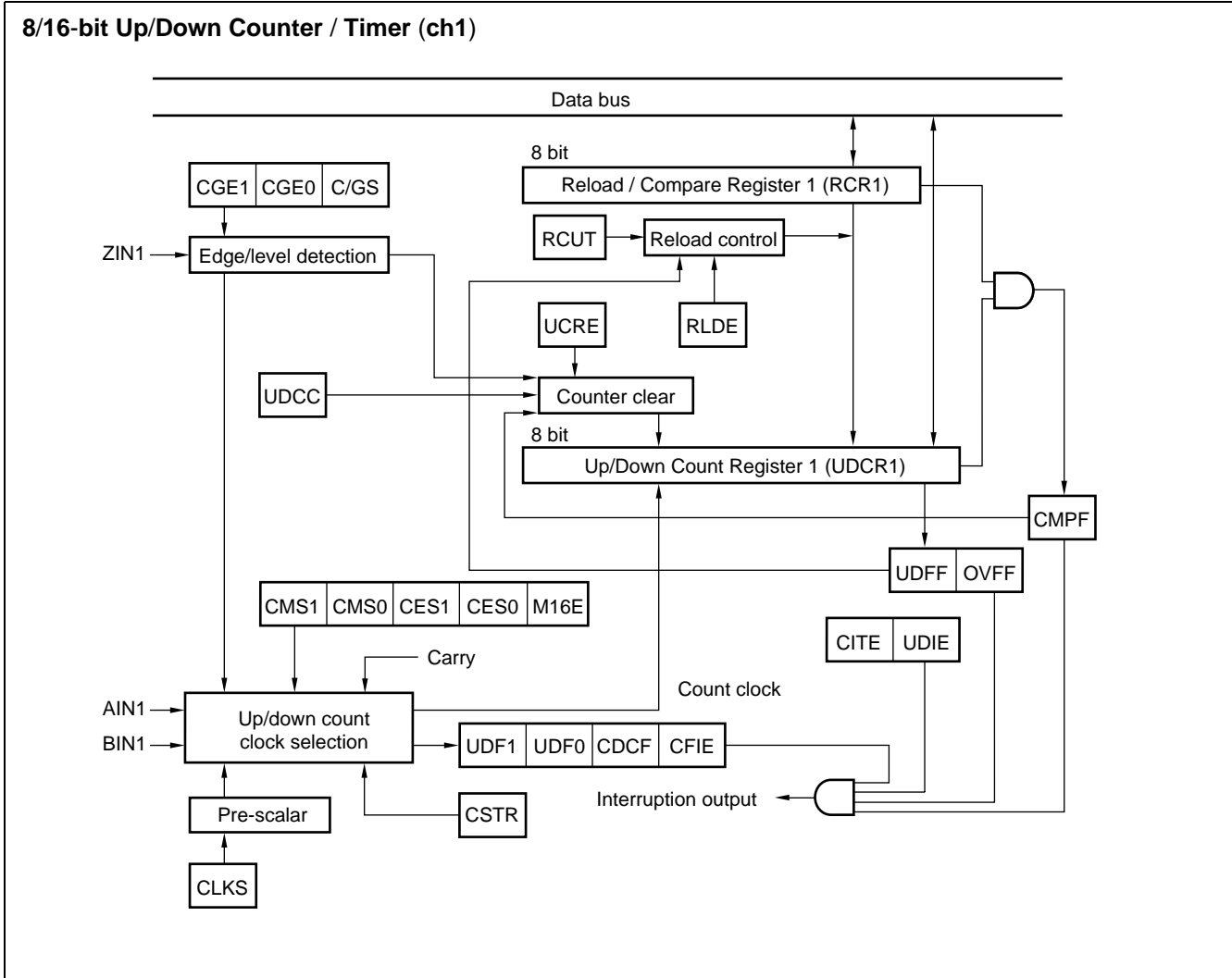
# MB91133/MB91F133

• Block Diagram

## 8/16-bit Up/Down Counter / Timer (ch0)



# MB91133/MB91F133



# MB91133/MB91F133

## • Register List

31	24 23	16 15	8 7	0
RCR1	RCR0	UDCR1	UDCR0	
CCRH0	CCRL0	—	CSR0	
CCRH1	CCRL1	—	CSR1	

### Up/down count register ch0 (UDCR0)

bit	7	6	5	4	3	2	1	0
Address : 000087 <sub>H</sub>	D07	D06	D05	D04	D03	D02	D01	D00

### Up/down count register ch1 (UDCR1)

bit	15	14	13	12	11	10	9	8
Address : 000086 <sub>H</sub>	D17	D16	D15	D14	D13	D12	D11	D10

### Reload compare register ch0 (RCR0)

bit	7	6	5	4	3	2	1	0
Address : 000085 <sub>H</sub>	D07	D06	D05	D04	D03	D02	D01	D00

### Reload compare register ch1 (RCR1)

bit	15	14	13	12	11	10	9	8
Address : 000084 <sub>H</sub>	D17	D16	D15	D14	D13	D12	D11	D10

### Counter Status register ch0, 1 (CSR0, 1)

bit	7	6	5	4	3	2	1	0
Address : 00008B <sub>H</sub> 00008F <sub>H</sub>	CSTR	CITE	UDIE	CMPF	OVFF	UDFF	UDF1	UDF0

### Counter control register ch0, 1 (CCRL0, 1)

bit	7	6	5	4	3	2	1	0
Address : 000089 <sub>H</sub> 00008D <sub>H</sub>	—	CTUT	UCRE	RLDE	UDCC	CGSC	CGE1	CGE0

### Counter control register ch0 (CCRH0)

bit	15	14	13	12	11	10	9	8
Address : 000088 <sub>H</sub>	M16E	CDCF	CFIE	CLKS	CMS1	CMS0	CES1	CES0

### Counter control register ch1 (CCRH1)

bit	15	14	13	12	11	10	9	8
Address : 00008C <sub>H</sub>	—	CDCF	CFIE	CLKS	CMS1	CMS0	CES1	CES0



# MB91133/MB91F133

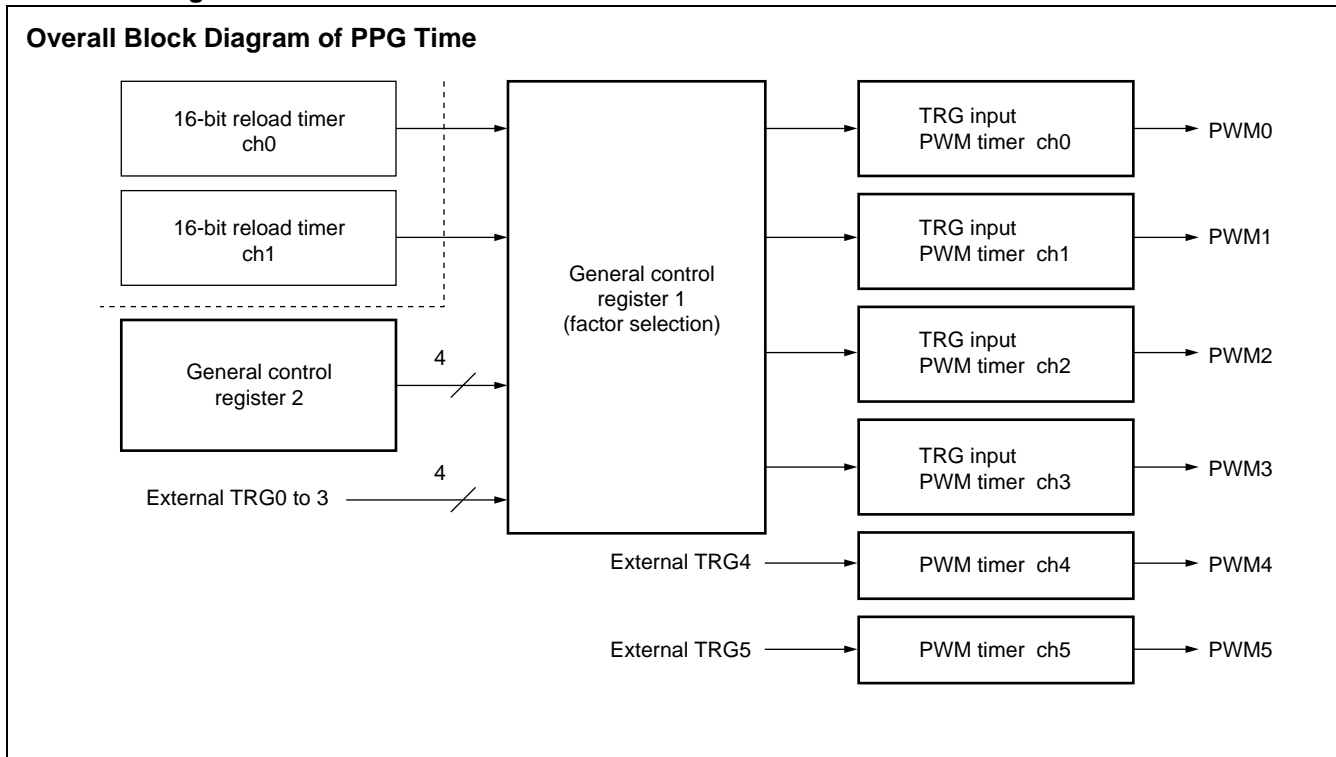
## 5. PPG Timer

The PPG timer can efficiently output accurate PWM waveforms. The MB91130 series features a 6-channel PPG timer.

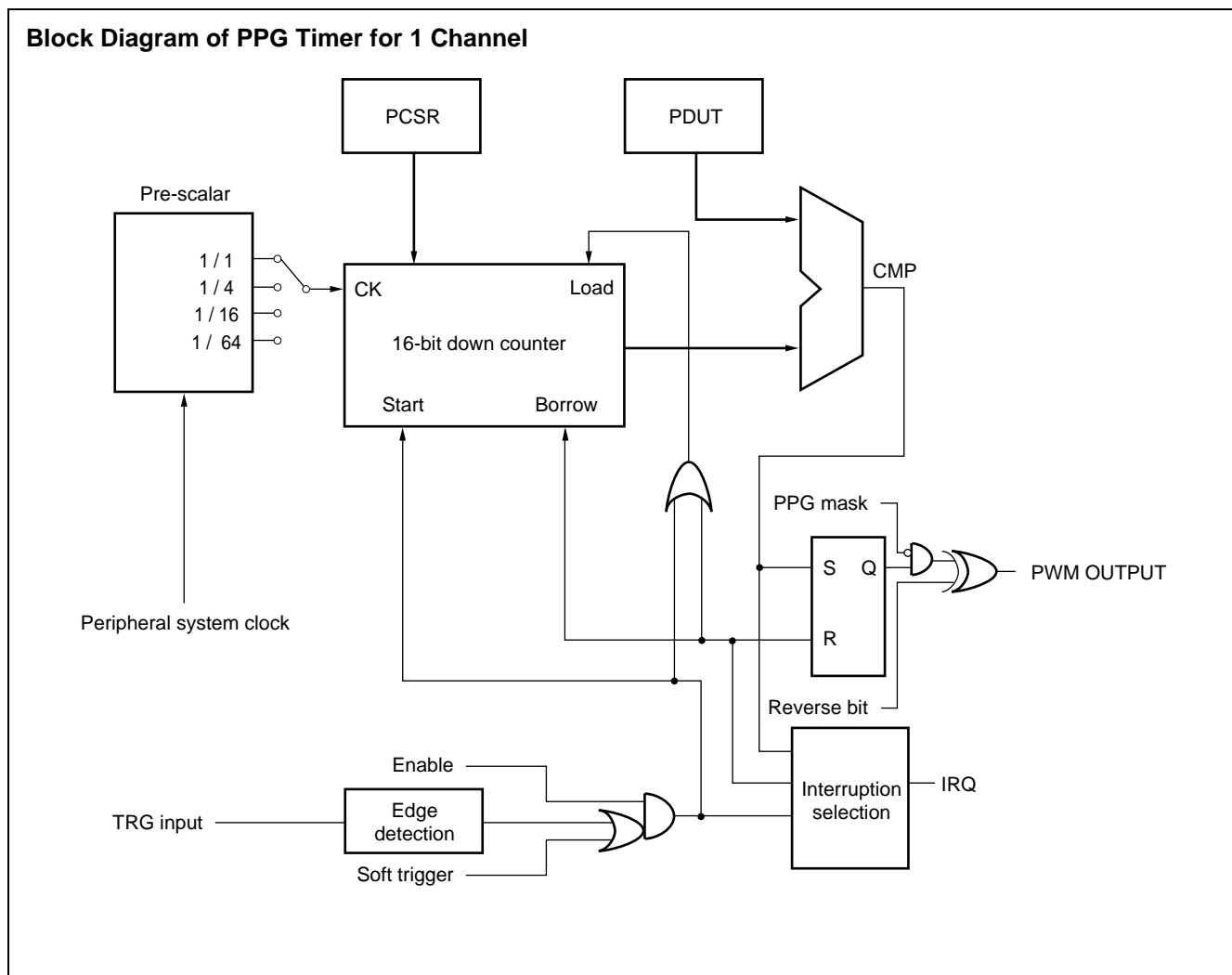
- **PPG Timer Characteristics**

- Each channel is configured with a 16-bit down counter, 16-bit data register with cycle setting buffer, 16-bit compare register with duty setting buffer and pin control area.
- Selection can be made from four types of count clocks for 16-bit down counters.  
Internal clock  $\phi$ ,  $\phi 4$ ,  $\phi 16$ ,  $\phi 64$
- Counter values can be initialized to "FFFF<sub>H</sub>" by resetting and counter borrowing.
- PWM output is available per channel.
- Register outline  
Cycle setting register : Reloading register with buffer  
Duty setting register : Compare register with buffer  
Transfer from buffer is carried out by counter borrowing.
- Pin control outline  
Set to "1" by duty match. (Priority)  
Resets to "0" by counter borrowing.  
All "L" (or "H") can simply be output by using the output values fixing mode.  
Polarization can also be specified.
- Interruption request can be generated by selecting from the following combinations.  
Initiation of this timer  
Counter borrow generation (cycle match)  
Duty match generation  
Counter borrow generation (cycle match) or duty match generation  
DMA transfer can be initiated by the above interruption requests.
- Simultaneous initiation of a number of channels can be set by software or other interval timers. Re-start during operation can also be set.

- Block Diagram



# MB91133/MB91F133





# MB91133/MB91F133

## • Register list

Address	15	0		
000000DCH	GCN1		R/W	General control register 1
000000DFH	GCN2		R/W	General control register 2
000000E0H	PTMR		R	ch0 Timer register
000000E2H	PCSR		W	ch0 Peripheral setting register
000000E4H	PDUT		W	ch0 Duty setting register
000000E6H	PCNH	PCNL	R/W	ch0 Control status register
000000E8H	PTMR		R	ch1 Timer register
000000EAH	PCSR		W	ch1 Peripheral setting register
000000ECH	PDUT		W	ch1 Duty setting register
000000EEH	PCNH	PCNL	R/W	ch1 Control status register
000000F0H	PTMR		R	ch2 Timer register
000000F2H	PCSR		W	ch2 Peripheral setting register
000000F4H	PDUT		W	ch2 Duty setting register
000000F6H	PCNH	PCNL	R/W	ch2 Control status register
000000F8H	PTMR		R	ch3 Timer register
000000FAH	PCSR		W	ch3 Peripheral setting register
000000FCH	PDUT		W	ch3 Duty setting register
000000FEH	PCNH	PCNL	R/W	ch3 Control status register

(Continued)

# MB91133/MB91F133

(Continued)

Address	15	0		
00000100H	PTMR		R	ch4 Timer register
00000102H	PCSR		W	ch4 Peripheral setting register
00000104H	PDUT		W	ch4 Duty setting register
00000106H	PCNH	PCNL	R/W	ch4 Control status register
00000108H	PTMR		R	ch5 Timer register
0000010AH	PCSR		W	ch5 Peripheral setting register
0000010CH	PDUT		W	ch5 Duty setting register
0000010EH	PCNH	PCNL	R/W	ch5 Control status register

## 6. Multifunction Timer

The multifunction timer unit is configured of a 16-bit freerun timer  $\times 1$ , 16-bit output compare  $\times 8$ , 16-bit input capture  $\times 4$ , 16-bit PPG timer  $\times 6$  ch and waveform generation area modules. 12 independent waveform outputs based on a 16-bit free-run timer are possible using this function and measurement of input pulse width and external clock cycle is also possible.

### • Multifunction Timer Configuration

#### • 16-bit free-run timer ( $\times 1$ )

The 16-bit free-run timer consists of a 16-bit up counter, control register, 16-bit compare clear register and pre-scalar. Output values of this counter are used as the base timer for output compare and input capture.

- Counter operation clocks can be selected from six types.  
Six types of internal clocks ( $\phi 2$ ,  $\phi 4$ ,  $\phi 8$ ,  $\phi 16$ ,  $\phi 32$ ,  $\phi 64$ )  
 $\phi$  : Machine clock
- Interruption can be generated by overflow of the counter value and a compared match with compare clear register. (Mode setting is required for a compared match.)
- Counter value can be initialized to "0000H" by a compared match with the reset, software clear or the compare clear register.

#### • Output compare ( $\times 8$ )

Output compare is configured of 16-bit compare register  $\times 8$ , latch for compare output and control register. Interruption can be generated as well as reversing output level when the 16-bit free-run timer value and compare register value match.

- 8 compare registers can be operated independently. Output pins and interruption flags support each compare register.
- Output pins can be controlled by pairing two compare registers. Output pins are reversed using two compare registers.
- Initial value of each output pin can be set.
- Interruption can be generated by matching compare.

#### • Input capture ( $\times 4$ )

Input capture is configured with four independent external input pins, supported capture and control register. 16-bit free-run timer value is held in the capture register by detecting the random edge of signals that are input by the external input pin, and interruption can simultaneously be generated.

- Valid edges (rising edge, falling edge, both edges) of external input signals can be selected.
- Four input captures can be operated independently.
- Interruption can be generated by the valid edges of external input signals.

#### • 16-bit PPG timer ( $\times 6$ )

Refer to PPG timer

# MB91133/MB91F133

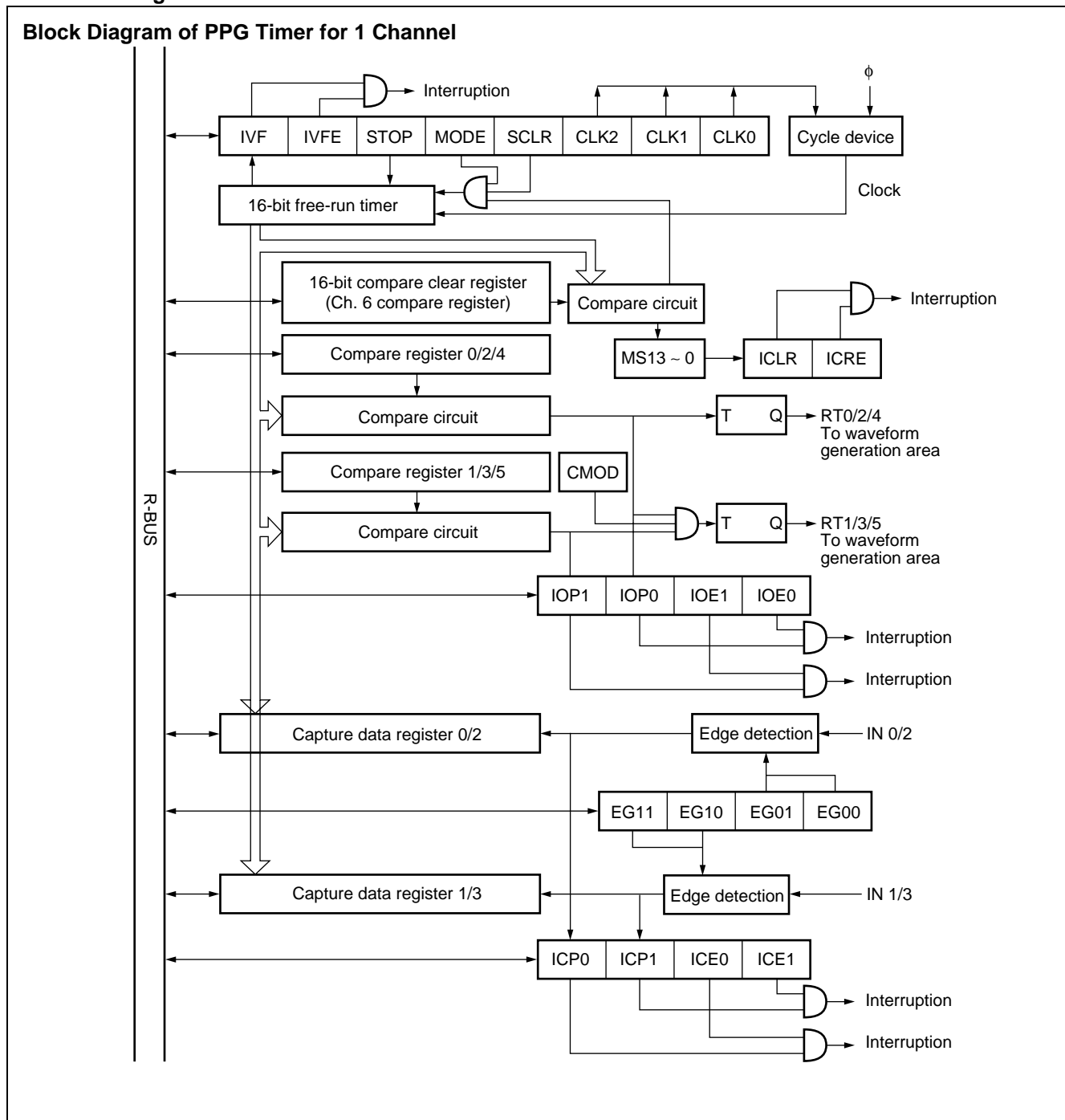
- Waveform Generation Area

The waveform generation area is configured with 8-bit timer  $\times$  3, 8-bit reload register  $\times$  3, timer control register  $\times$  3 and 8-bit waveform control register. This control circuit controls the waveform of the 16-bit PPG timer and real-time output, and DC chopper output and non-overlapping 3-phase waveform output to be used for inverter control are possible.

- Non-overlapping pulse output of the PPG timer is possible by setting dead time of the 8-bit timer (dead time timer function) .
- Real timer output is operated by the 2-channel mode and non-overlapping output of the waveform is possible by setting the dead time of the 8-bit timer (dead time timer function) .
- Operation of PPG timer can easily be started/stopped by generating a GATE signal for the PPG timer operation through match detection of real-time output compare (GATE function).
- The 8-bit timer is operated by match detection of real-time output compare, and operation of the PPG timer can easily be started/stopped by generating a GATE signal for the PPG timer until the 8-bit timer is stopped (GATE function) .
- Pin output can be forcibly controlled by input to the DTTI pin. Pins can be controlled externally even if oscillations stop due to lack of clocks for inputs to this pin. (Each pin level can be set by the program .) If this function is used, the port should be set to output (DDR = 1) and the output value should be described in the PDR beforehand.

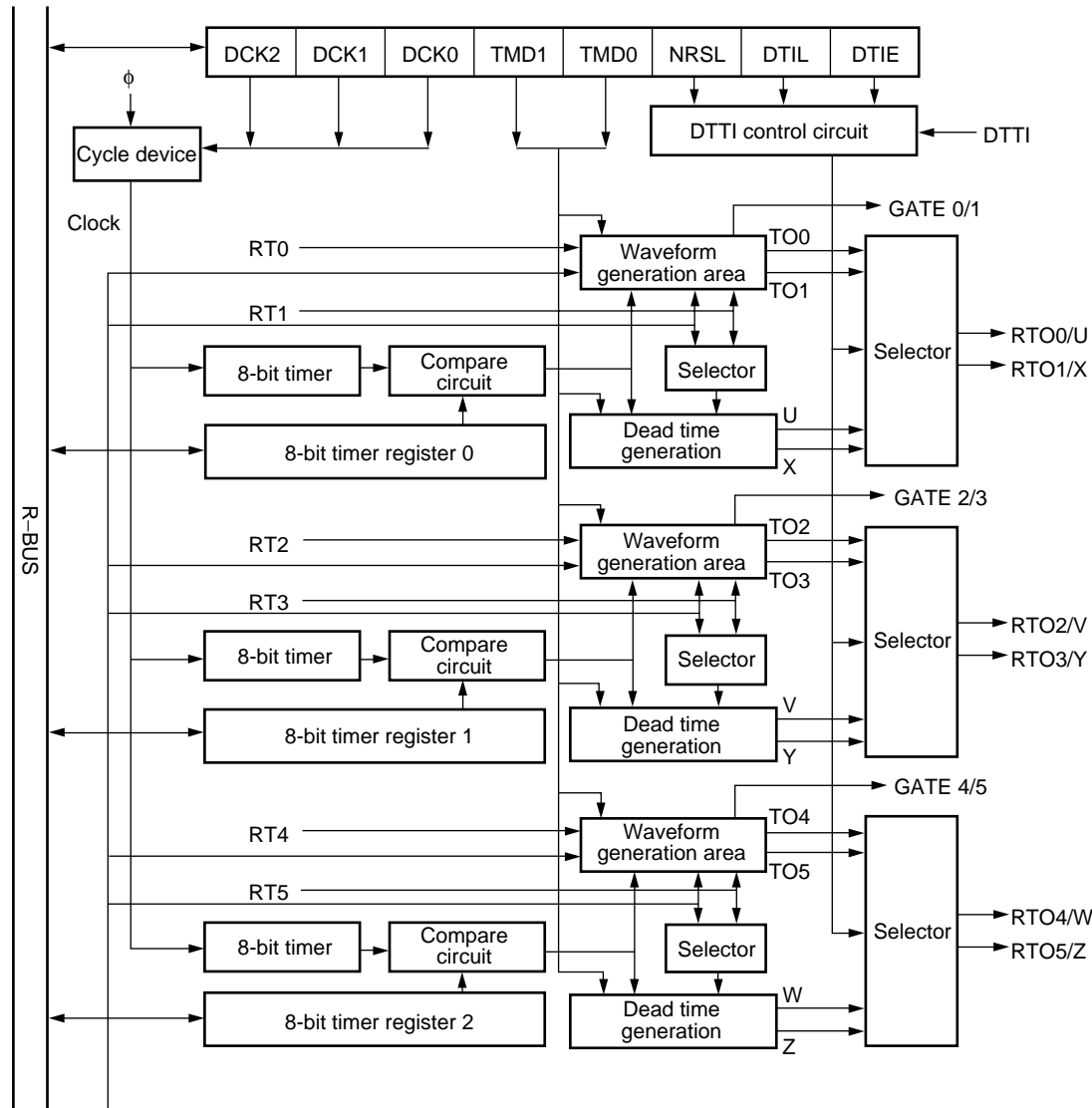
• Block Diagram

Block Diagram of PPG Timer for 1 Channel



# MB91133/MB91F133

**Block Diagram of Waveform Generation Area**



# MB91133/MB91F133

## • Registers List

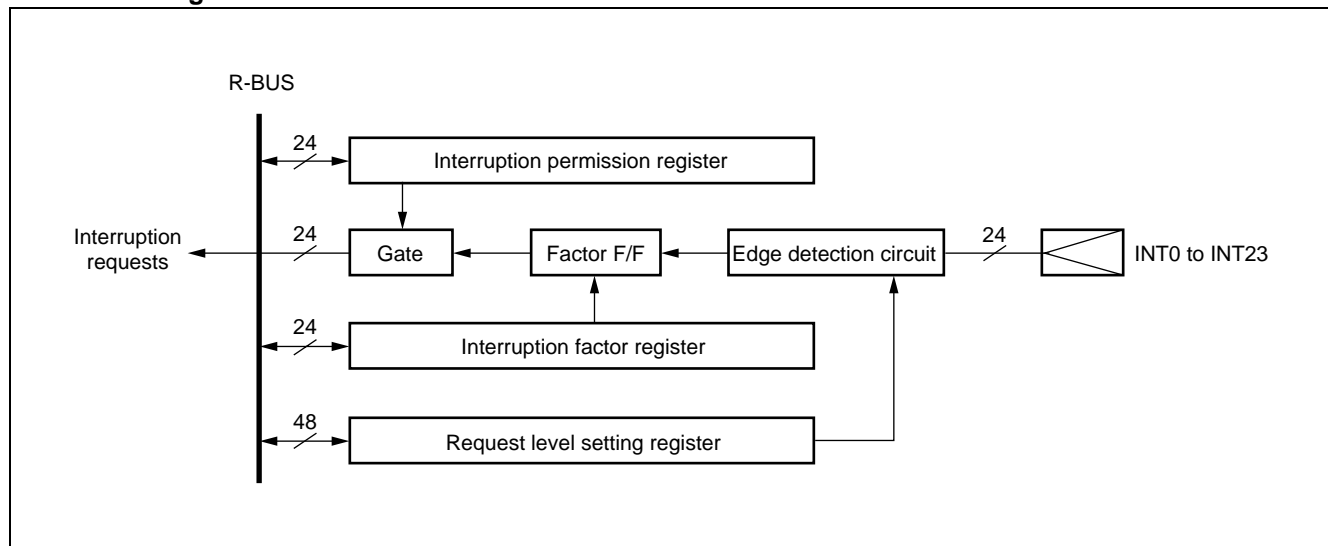
Address	15	8	7	0	
000044H to 4BH	IPCP				(R)
00004DH, 4FH		ICS			(R/W)
000054H to 63H	OCCP				(R/W)
000064H to 6BH	OCS				(R/W)
00006CH, 6DH	TCDT				(R/W)
00006EH, 6FH	TCCS				(R/W)
0000ACH, AEH B2H	DTCR				(R/W)
0000ADH, AFH B3H		TMRR			(R/W)
0000B1H		STGCR			(R/W)

# MB91133/MB91F133

## 7. External Interruption

The external interruption control area is the block that controls the external interruption requests input in INT0 to INT23. The level of request to be detected can be selected from “H”, “L”, “Rising edge” or “Falling edge”.

### • Block diagram



### • Register List

External interruption permission register (ENIR)

bit	15	14	13	12	11	10	9	8
	ER7	ER6	ER5	ER4	ER3	ER2	ER1	ER0

External interruption factor register (EIRR)

bit	15	14	13	12	11	10	9	8
	ER7	ER6	ER5	ER4	ER3	ER2	ER1	ER0

Request level setting register (ELVR)

bit	7	6	5	4	3	2	1	0
	LB3	LA3	LB2	LA2	LB1	LA1	LB0	LA0

bit	15	14	13	12	11	10	9	8
	LB7	LA7	LB6	LA6	LB5	LA5	LB4	LA4

There are three sets of the above registers (for 8 channels) for a total of 24 channels.



## 8. Delay Interruption Module

The delay interruption module generates interruptions for task switching. Interruption requests to the CPU can be generated / cancelled using software with this module.

- **Block Diagram**

Refer to "9.(2) Block Diagram of Interruption Controller" for the block diagram of the delay interruption generation area.

- **Register List**

Address : 00000430 <sub>H</sub>	bit 7	6	5	4	3	2	1	0	DICR
	—	—	—	—	—	—	—	DLYI	
								R/W	

# MB91133/MB91F133

## 9. Interruption Controller

The interruption controller carries out interruption reception and arbitration.

### • Hardware configuration of the interruption controller

This module consists of the following items.

- ICR register
- Interruption priority judgement circuit
- Interruption level, interruption number (vector) generation area
- Cancellation request generation area for HOLD request

### • Major interruption controller functions

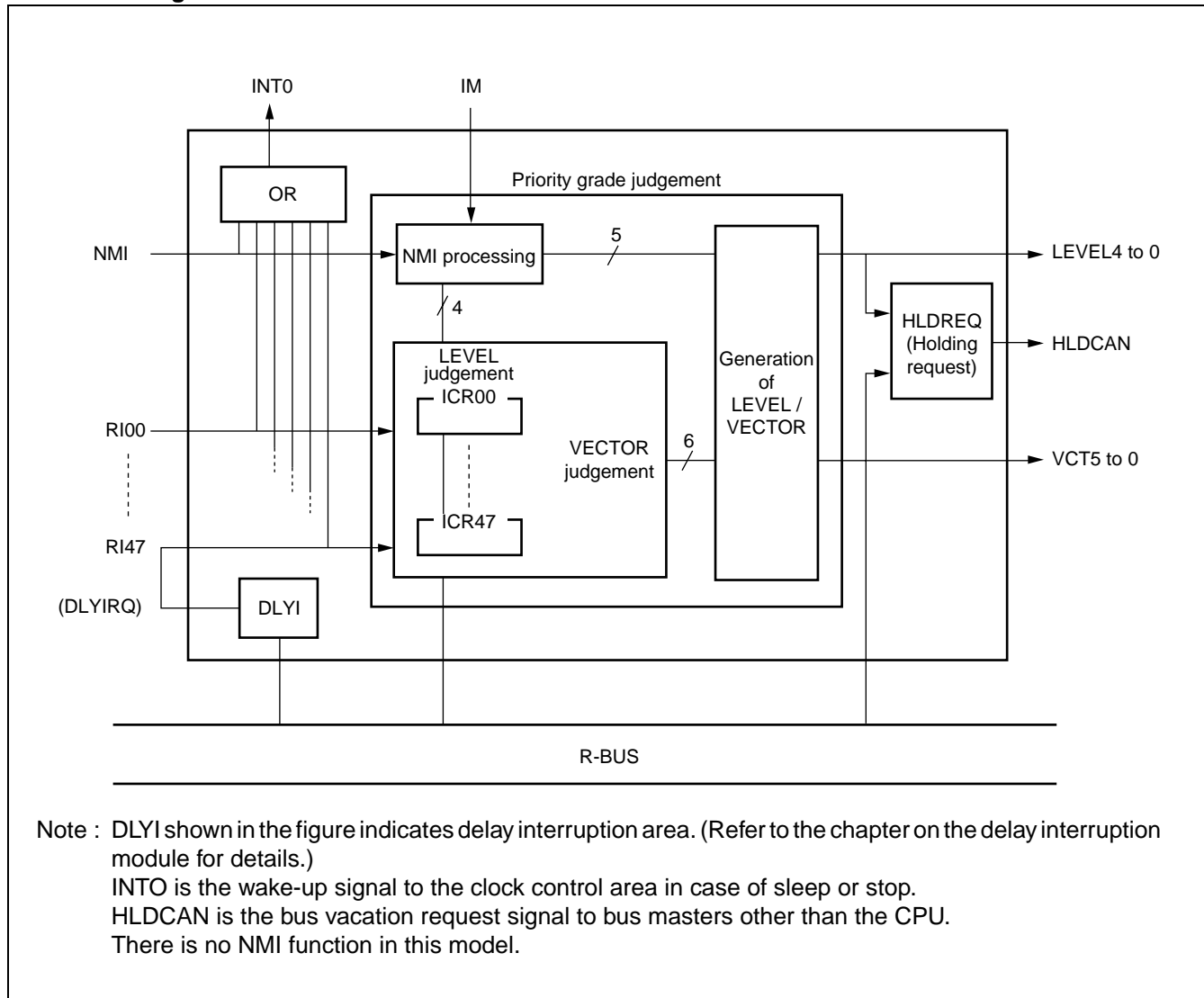
This module has the following functions.

- Detection of interruption requests
- Priority grade judgement (depending on the level and number)
- Transferring interruption level of factors for the judgement results (to CPU)
- Transferring interruption number of factors for the judgement results (to CPU)
- Recovery instruction from stop mode by generating interruption
- Cancellation of HOLD request to the bus master

### • Resetting Interruption Factors

There are restrictions between RETI instructions and those for resetting interruption factors in the interruption routine.

## • Block Diagram



# MB91133/MB91F133

## • Register List

	bit 7	6	5	4	3	2	1	0	
Address : 00000400H	—	—	—	—	ICR3	ICR2	ICR1	ICR0	ICR00
Address : 00000401H	—	—	—	—	ICR3	ICR2	ICR1	ICR0	ICR01
Address : 00000402H	—	—	—	—	ICR3	ICR2	ICR1	ICR0	ICR02
Address : 00000403H	—	—	—	—	ICR3	ICR2	ICR1	ICR0	ICR03
Address : 00000404H	—	—	—	—	ICR3	ICR2	ICR1	ICR0	ICR04
Address : 00000405H	—	—	—	—	ICR3	ICR2	ICR1	ICR0	ICR05
Address : 00000406H	—	—	—	—	ICR3	ICR2	ICR1	ICR0	ICR06
Address : 00000407H	—	—	—	—	ICR3	ICR2	ICR1	ICR0	ICR07
Address : 00000408H	—	—	—	—	ICR3	ICR2	ICR1	ICR0	ICR08
Address : 00000409H	—	—	—	—	ICR3	ICR2	ICR1	ICR0	ICR09
Address : 0000040AH	—	—	—	—	ICR3	ICR2	ICR1	ICR0	ICR10
Address : 0000040BH	—	—	—	—	ICR3	ICR2	ICR1	ICR0	ICR11
Address : 0000040CH	—	—	—	—	ICR3	ICR2	ICR1	ICR0	ICR12
Address : 0000040DH	—	—	—	—	ICR3	ICR2	ICR1	ICR0	ICR13
Address : 0000040EH	—	—	—	—	ICR3	ICR2	ICR1	ICR0	ICR14
Address : 0000040FH	—	—	—	—	ICR3	ICR2	ICR1	ICR0	ICR15
Address : 00000410H	—	—	—	—	ICR3	ICR2	ICR1	ICR0	ICR16
Address : 00000411H	—	—	—	—	ICR3	ICR2	ICR1	ICR0	ICR17
Address : 00000412H	—	—	—	—	ICR3	ICR2	ICR1	ICR0	ICR18
Address : 00000413H	—	—	—	—	ICR3	ICR2	ICR1	ICR0	ICR19
Address : 00000414H	—	—	—	—	ICR3	ICR2	ICR1	ICR0	ICR20
Address : 00000415H	—	—	—	—	ICR3	ICR2	ICR1	ICR0	ICR21
Address : 00000416H	—	—	—	—	ICR3	ICR2	ICR1	ICR0	ICR22
Address : 00000417H	—	—	—	—	ICR3	ICR2	ICR1	ICR0	ICR23
Address : 00000418H	—	—	—	—	ICR3	ICR2	ICR1	ICR0	ICR24
Address : 00000419H	—	—	—	—	ICR3	ICR2	ICR1	ICR0	ICR25
Address : 0000041AH	—	—	—	—	ICR3	ICR2	ICR1	ICR0	ICR26
Address : 0000041BH	—	—	—	—	ICR3	ICR2	ICR1	ICR0	ICR27
Address : 0000041CH	—	—	—	—	ICR3	ICR2	ICR1	ICR0	ICR28
Address : 0000041DH	—	—	—	—	ICR3	ICR2	ICR1	ICR0	ICR29
Address : 0000041EH	—	—	—	—	ICR3	ICR2	ICR1	ICR0	ICR30
Address : 0000041FH	—	—	—	—	ICR3	ICR2	ICR1	ICR0	ICR31
					R/W	R/W	R/W	R/W	

(Continued) www.DataSheet4U.com

# MB91133/MB91F133

(Continued)

	bit 7	6	5	4	3	2	1	0	
Address: 00000420H	—	—	—	—	ICR3	ICR2	ICR1	ICR0	ICR32
Address: 00000421H	—	—	—	—	ICR3	ICR2	ICR1	ICR0	ICR33
Address: 00000422H	—	—	—	—	ICR3	ICR2	ICR1	ICR0	ICR34
Address: 00000423H	—	—	—	—	ICR3	ICR2	ICR1	ICR0	ICR35
Address: 00000424H	—	—	—	—	ICR3	ICR2	ICR1	ICR0	ICR36
Address: 00000425H	—	—	—	—	ICR3	ICR2	ICR1	ICR0	ICR37
Address: 00000426H	—	—	—	—	ICR3	ICR2	ICR1	ICR0	ICR38
Address: 00000427H	—	—	—	—	ICR3	ICR2	ICR1	ICR0	ICR39
Address: 00000428H	—	—	—	—	ICR3	ICR2	ICR1	ICR0	ICR40
Address: 00000429H	—	—	—	—	ICR3	ICR2	ICR1	ICR0	ICR41
Address: 0000042AH	—	—	—	—	ICR3	ICR2	ICR1	ICR0	ICR42
Address: 0000042BH	—	—	—	—	ICR3	ICR2	ICR1	ICR0	ICR43
Address: 0000042CH	—	—	—	—	ICR3	ICR2	ICR1	ICR0	ICR44
Address: 0000042DH	—	—	—	—	ICR3	ICR2	ICR1	ICR0	ICR45
Address: 0000042EH	—	—	—	—	ICR3	ICR2	ICR1	ICR0	ICR46
Address: 0000042FH	—	—	—	—	ICR3	ICR2	ICR1	ICR0	ICR47
					R/W	R/W	R/W	R/W	
Address: 00000431H	—	—	—	—	LVL3	LVL2	LVL1	LVL0	HRCL
					R/W	R/W	R/W	R/W	

# MB91133/MB91F133

## 10. Clock Generation Area (low power consumption mechanism)

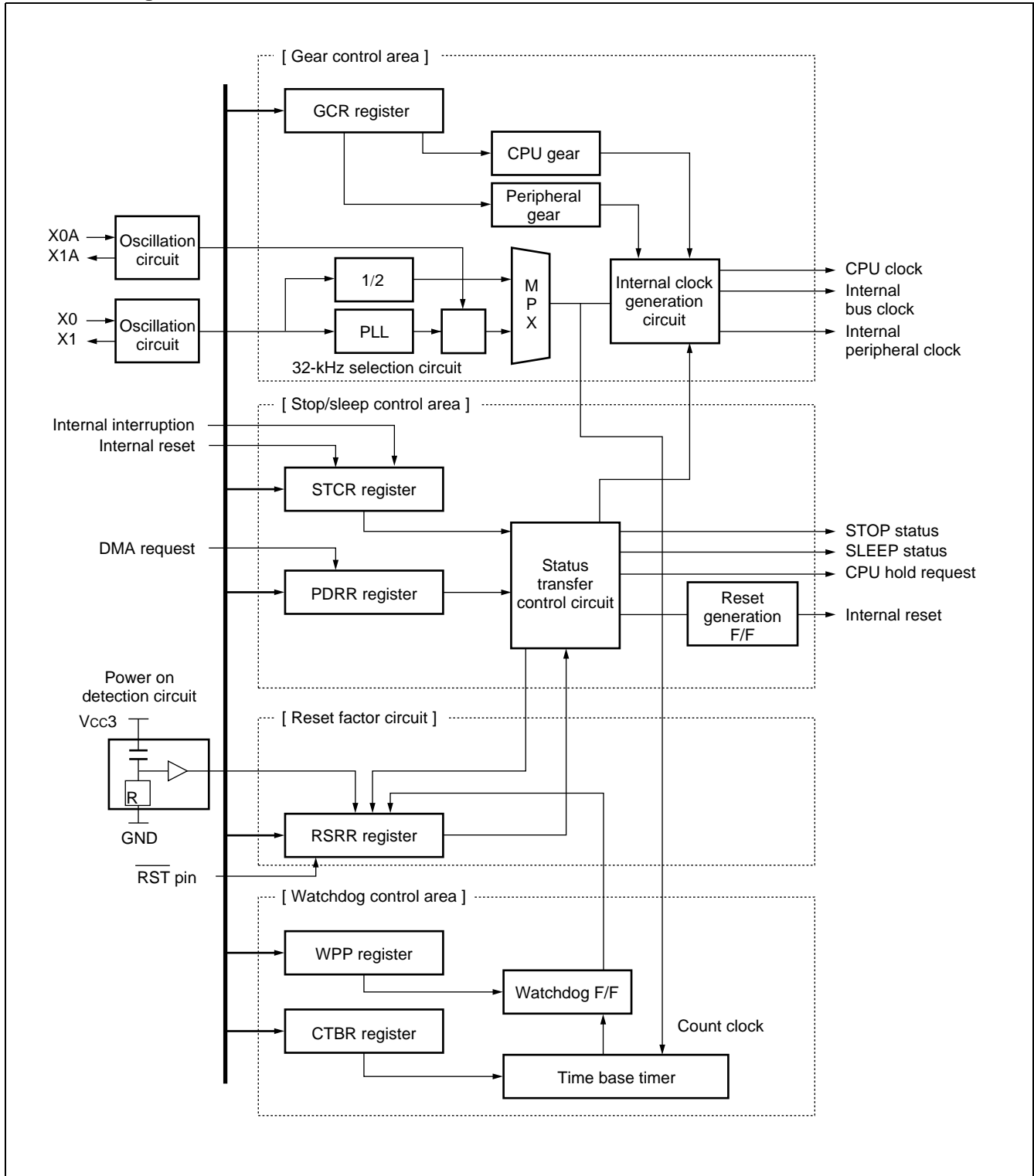
Clock generation area is a module with the following functions.

- CPU clock generation (including gear function)
- Peripheral clock generation (including gear function)
- Reset generation and holding factors
- Standby function (including hardware standby)
- PLL (Phase Locked Loop) is built in

### • Register list

Address	7	0	
000480H	RSRR/WTCR		Reset factor / watchdog cycle control register
000481H	STCR		Standby control register
000482H	PDRR		DMA request blocking register
000483H	CTBR		Time base timer clear register
000484H	GCR		Gear control register
000485H	WPR		Watchdog reset generation postponement register
000488H	PCTR		PLL / 32-K clock control register

• Block diagram



# MB91133/MB91F133

## 11. 8-/10-bit A/D Converter

The 8-/10-bit A/D converter features functions that convert analog input voltages to 10- or 8-bit digital values using the RC sequential comparison conversion method. The input signal is selected from 8-channel analog input pins and three types of conversion initiation can be selected from software, internal clock, or external pin trigger.

### • characteristics of 8-/10-bit A/D converter

The A/D conversion function for converting analog voltages (input voltages) input into the analog input pins to digital values has the following characteristics.

- Conversion time is minimum 5.0  $\mu$ s (including sampling time when machine clock is 33 MHz) .
- Conversion method is RC sequential comparison conversion method with sample holding circuit.
- 10- or 8-bit resolution can be selected.
- Analog input pin can be selected from 8 channels using the program.
- interruption request can be generated when A/D conversion ends.
- Data is not lost even during continuous conversion as conversion data protection function works while interruptions are permitted.
- Initiation factors for conversion can be selected from software, 16-bit reload timer 2 (rising edge) , or external pin trigger (L level detection) .

There are three types of conversion modes.

Table 13.1-1 Conversion Modes of 8-/10-bit A/D Converter

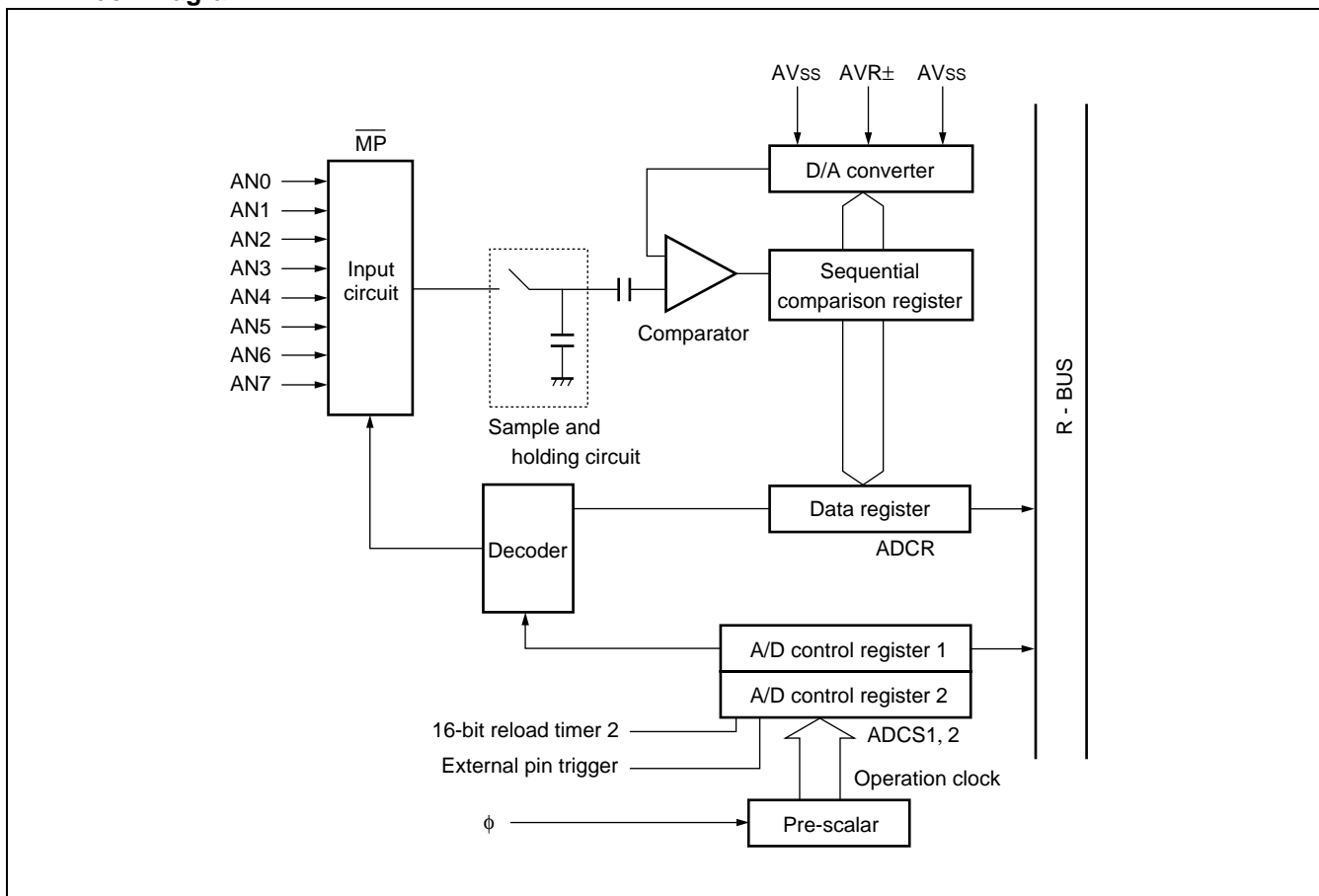
Conversion Modes	Single Conversion Operation	Scan Conversion Operation
Single conversion mode	Converts the specified channel (1 channel only) once and ends.	Converts a series of channels (up to 8 channels can be specified) once and ends.
Consecutive conversion mode	Repeatedly converts the specified channel (1 channel only) .	Repeatedly converts a series of channels (up to 8 channels can be specified) .
Stop conversion mode	Suspends after converting the specified channel (1 channel only) once and waits until the next one is initiated.	Converts a series of channels (up to 8 channels can be specified) but is suspended between each channel conversion and waits until the next one is initiated.



# MB91133/MB91F133

- Block Diagram of 8-/10-bit A/D Converter  
The 8-/10-bit A/D converter is configured with the following 9 blocks.
- A/D control status register (ADCS1, 2)
- A/D data register (ADCR)
- Clock selector (input clock selector to initiate A/D conversion)
- Decoder
- Analog channel selector
- Sample holding circuit
- D/A converter
- Comparator
- Control circuit

## • Block Diagram



## • Register List

	15	14	13	12	11	10	9	8	7	6	5	4	3	2	1	0
0000CFH								AICK								
00003AH	ADCS1							ADCS0								
000038H	ADCR															

# MB91133/MB91F133

## 12. 8-bit D/A Converter

The 8-bit D/A converter is an R-2R type D/A converter with 8-bit resolution.

- **Characteristics of the 8-bit D/A converter**

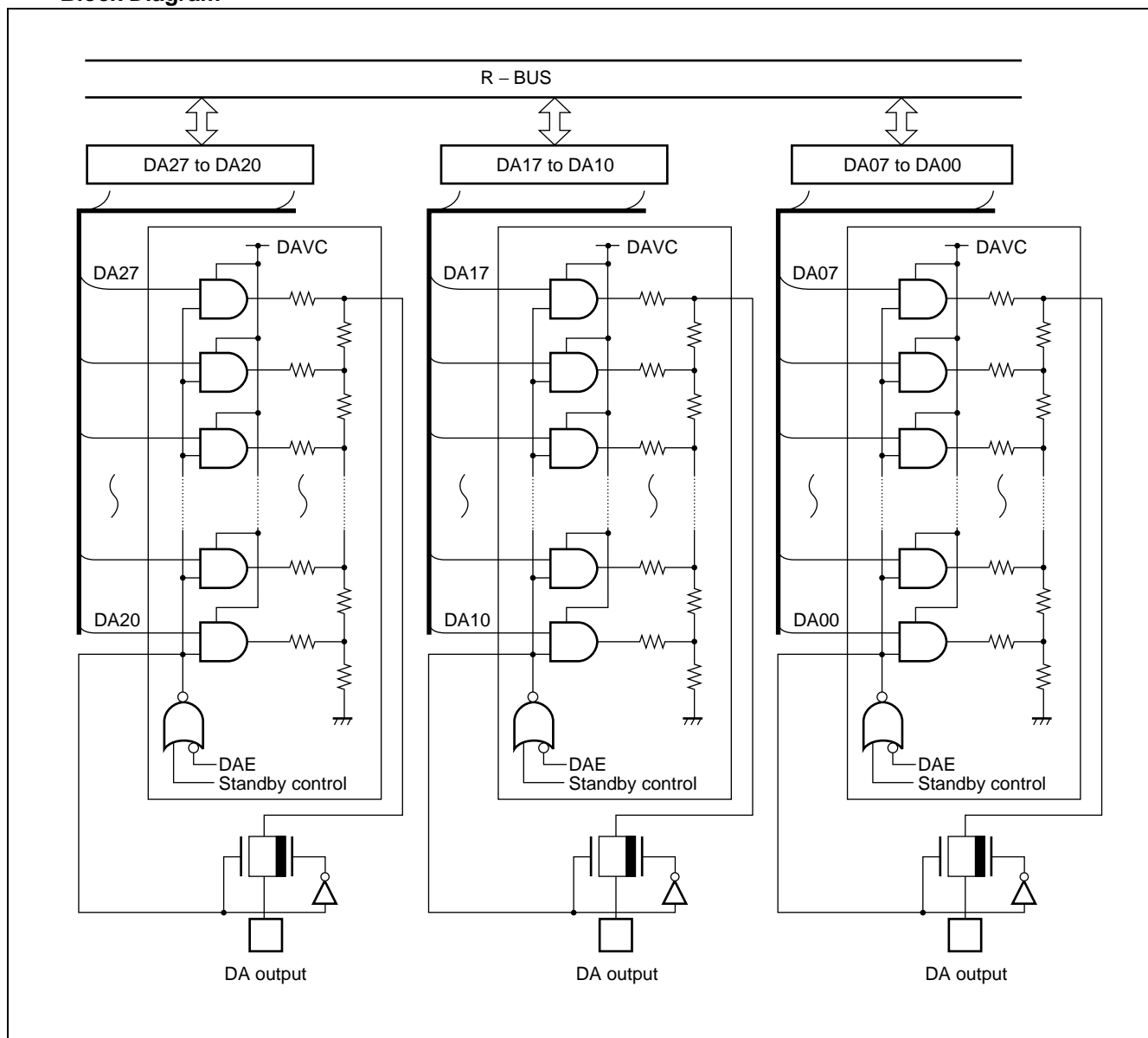
The MB81130 series features a 3-channel D/A converter and output control can be carried out individually by the D/A control register.

- Block Diagram of 8-bit D/A Converter

The 8-bit D/A converter is configured with the following three blocks.

- 8-bit resistance ladder
- Data register
- Control register

- **Block Diagram**



- **8-bit D/A Converter Pins**

D/A converter pins are dedicated pins.

- **Registers of 8-bit D/A Converter**

The 8-bit D/A converter has the following two registers.

D/A control register (DACR0, 1, 2)

D/A data register (DADR2, 1, 0)

- **Register list**

D/A converter data register 0

	bit	7	6	5	4	3	2	1	0
DADR0		DA07	DA06	DA05	DA04	DA03	DA02	DA01	DA00
00000AB <sub>H</sub>									

D/A converter data register 1

	bit	15	14	13	12	11	10	9	8
DADR1		DA17	DA16	DA15	DA14	DA13	DA12	DA11	DA10
00000AA <sub>H</sub>									

D/A converter data register 2

	bit	23	22	21	20	19	18	17	16
DADR2		DA27	DA26	DA25	DA24	DA23	DA22	DA21	DA20
00000A9 <sub>H</sub>									

D/A control register 0

	bit	7	6	5	4	3	2	1	0
DACR0		—	—	—	—	—	—	—	DAE0
00000A7 <sub>H</sub>									

D/A control register 1

	bit	15	14	13	12	11	10	9	8
DACR1		—	—	—	—	—	—	—	DAE1
00000A6 <sub>H</sub>									

D/A control register 2

	bit	23	22	21	20	19	18	17	16
DACR2		—	—	—	—	—	—	—	DAE2
00000A5 <sub>H</sub>									

# MB91133/MB91F133

## 13. 4-bit Level Comparator

The 4-bit level comparator is the module that compares input levels (large/small) and compares the size of the analog input voltage with 4-bit digital values.

### • Functions of the 4-bit level comparator

Compares analog voltage that has been input to the analog input pins (input voltage) with 4-bit digital value and has the following characteristics.

- Conversion time is minimum 1  $\mu$ s (including sampling time) .
- Sampling time is minimum 0.5  $\mu$ s.
- Interruption requests can be generated when analog comparison ends.

### • Interruption of 4-bit level comparator

Table 15.1-1 Interruption and DMAC of 4-bit level comparator

Interruption number	Interruption control register		Offset	TBR default address	DMAC
	Register name	Address			
#61 (3D <sub>H</sub> )	ICR45	00042D <sub>H</sub>	308 <sub>H</sub>	000FFF08 <sub>H</sub>	×

× : Initiation is impossible

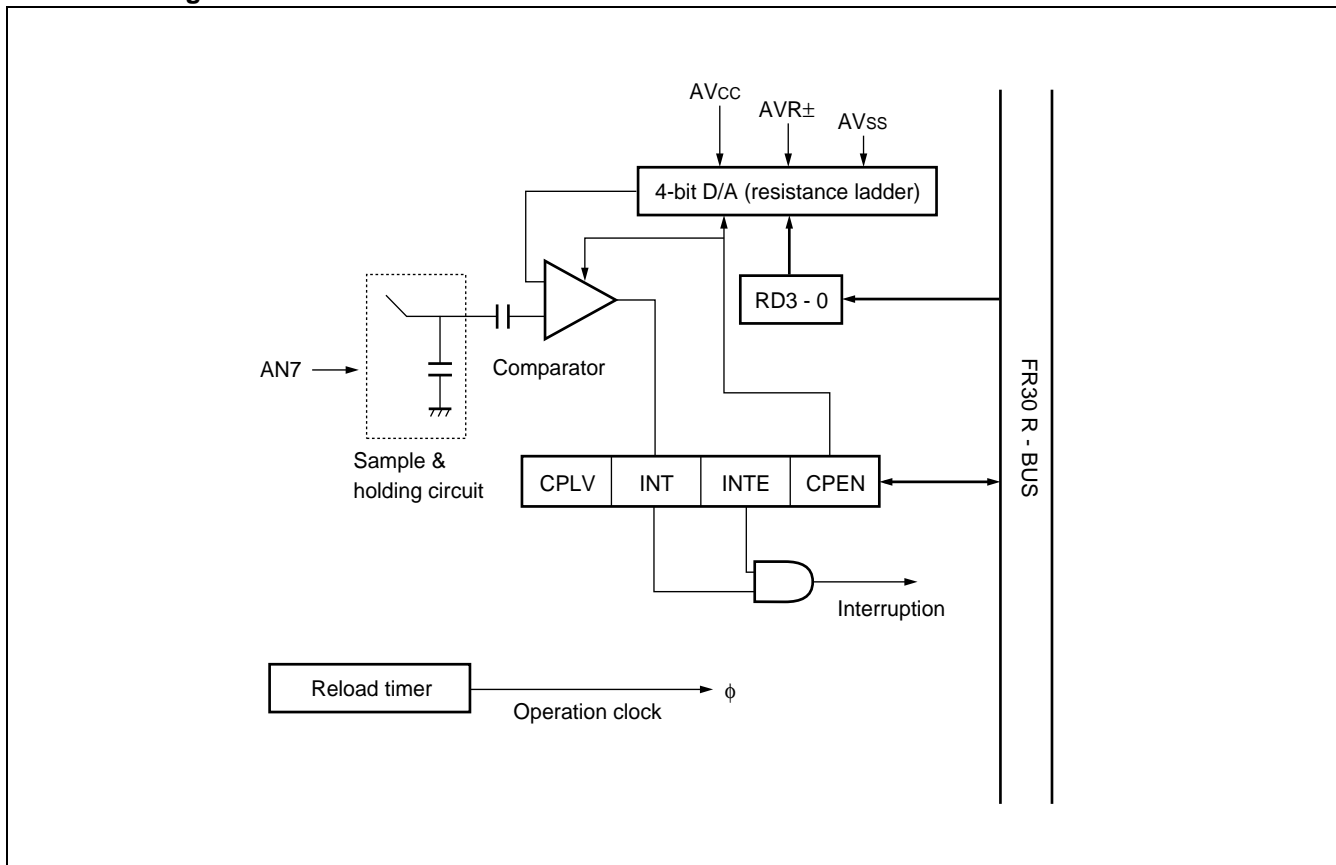
# MB91133/MB91F133

- **Block Diagram of 4-bit Level Comparator**

The 4-bit level comparator is configured with the following three blocks.

- Comparator
- 4-bit resistance ladder
- Control register

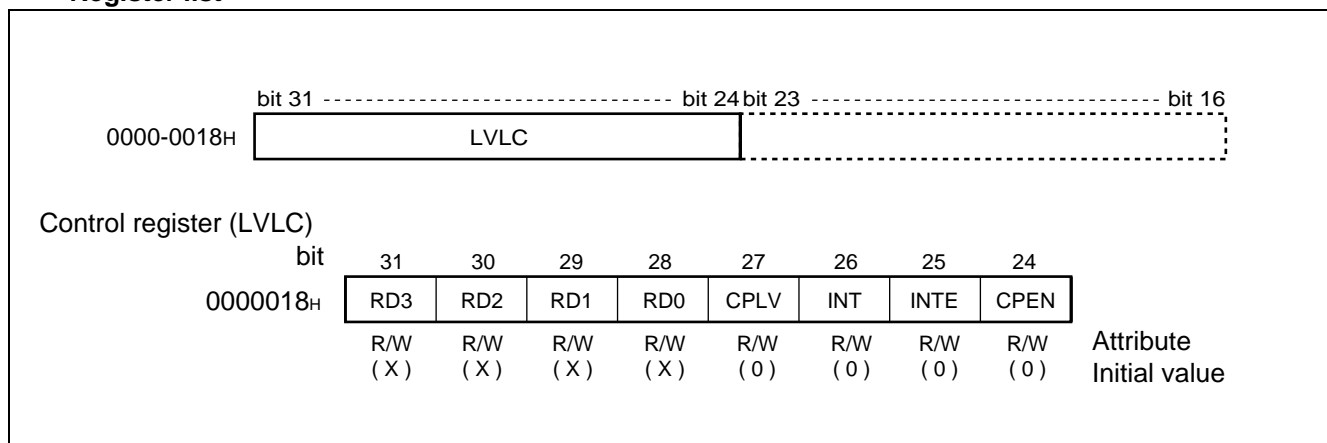
- **Block diagram**



# MB91133/MB91F133

- Registers of 4-bit Level Comparator

- Register list



## 14. UART

UART is the general-purpose serial data communications interface to carry out synchronous or asynchronous communication (start-stop synchronization) with external systems. It has a master/slave-type communications function (multiprocessor mode: supporting only master side) as well as normal bi-directional communications function (normal mode).

### • UART Functions

UART is the general-purpose serial data communications interface that sends and receives serial data to/from other CPUs and peripheral equipment, and has functions shown in Table 16.1-1.

Table 16.1-1 UART Functions

	Functions
Data buffer	Full-duplex double buffer
Transfer mode	<ul style="list-style-type: none"> <li>• Clock synchronous (without start-stop bit)</li> <li>• Clock asynchronous (start-stop cycle)</li> </ul>
Baud rate	<ul style="list-style-type: none"> <li>• Dedicated baud rate generator is available. Can be selected from 8 types.</li> <li>• External clock input is possible.</li> <li>• Internal clock (Internal clocks that are provided from 16-bit reload timer supporting each channel can be used.)</li> </ul>
Data length	<ul style="list-style-type: none"> <li>• 7-bit (in case of asynchronous normal mode only)</li> <li>• 8-bit</li> </ul>
Signal method	Non Return to Zero (NRZ) method
Reception error detection	<ul style="list-style-type: none"> <li>• Framing error</li> <li>• Overrun error</li> <li>• Parity error (impossible in case of multiprocessor mode)</li> </ul>
Interrupt request	<ul style="list-style-type: none"> <li>• Reception interruption (reception completion, reception error detection)</li> <li>• Transmission interruption (transmission completion)</li> </ul>
Master/slave-type communications function (Multiprocessor mode)	Communication between 1 (master) and n (slaves) is possible (Only supports master side)

Note : Start / stop bits are not added by UART and only data is transferred.

Table 16.1-2 UART Operations Mode

Operations mode	Data length		Synchronization method	Stop bit length
	Without parity	With parity		
0 Normal mode	7-bit or 8-bit		Asynchronous	1-bit or 2-bit *2
1 Multiprocessor mode	8 + 1*1	—	Asynchronous	
2 Normal mode	8	—	Synchronous	N/A

— : Setting is impossible

\*1 : “+ 1” is address / data selection bit (A/D) to be used to control communications.

\*2 : 1-bit only can be detected for stop bit in case of reception.

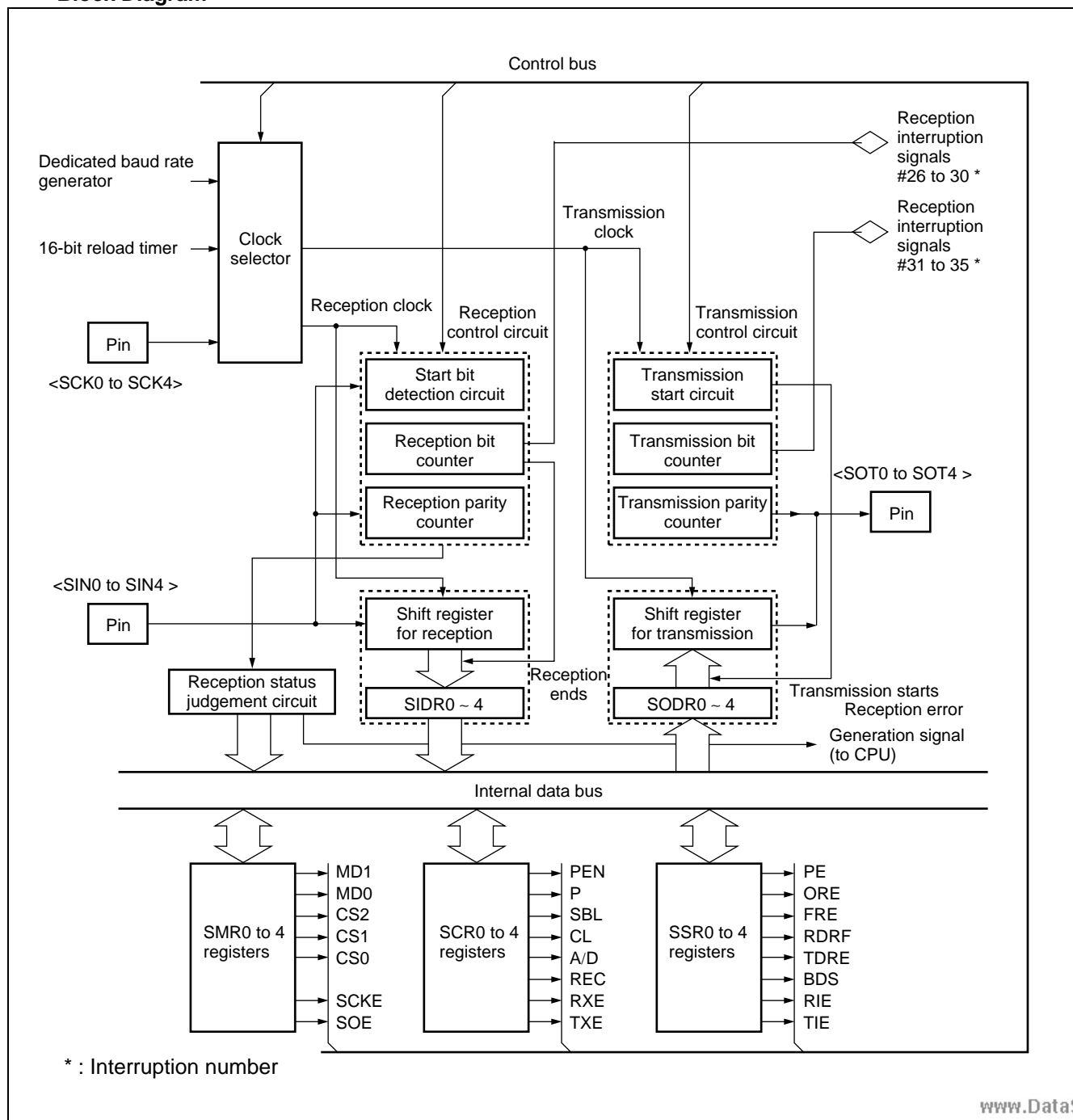
# MB91133/MB91F133

## • UART Block Diagram

UART is configured with the following 11 blocks.

- Clock selector
- Reception control circuit
- Transmission control circuit
- Reception status judgement circuit
- Shift register for reception
- Shift register for transmission
- Mode register (SMR0 to 4)
- Control register (SCR0 to 4)
- Status register (SSR0 to 4)
- Input data register (SIDR0 to 4)
- Output data register (SODR0 to 4)

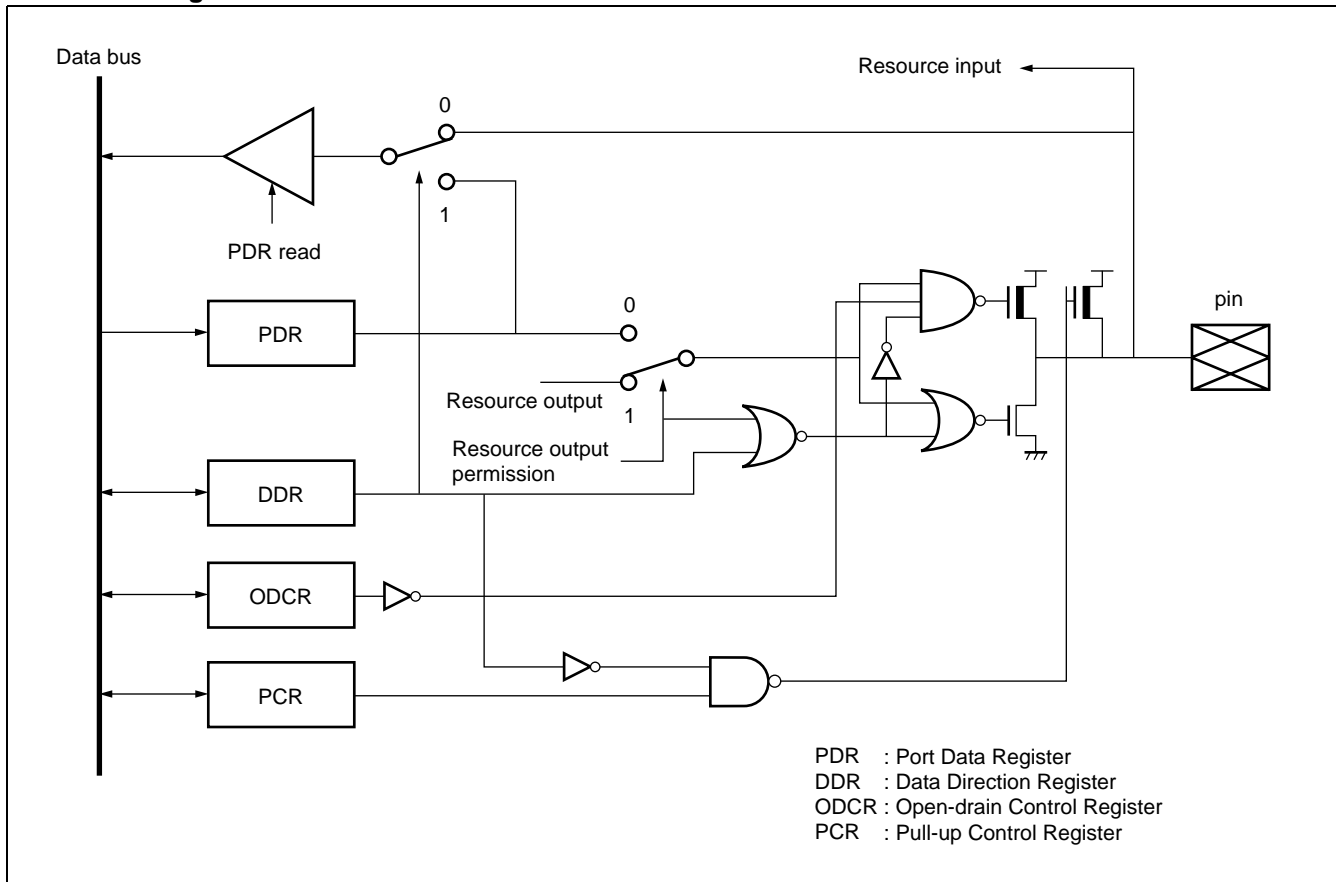
## • Block Diagram





# MB91133/MB91F133

## • Block Diagram of UART Pins



## • Register List

Address	bit 15	bit 8	bit 7	bit 0
ch0 : 0000_001EH, 1FH	Control register (SCR)		Mode register (SMR)	
ch1 : 0000_0022H, 23H				
ch2 : 0000_0026H, 27H				
ch3 : 0000_0072H, 73H				
ch4 : 0000_0076H, 77H	Status register (SSR)		Input/output data register (SIDR/SODR)	
ch0 : 0000_001CH, 1DH				
ch1 : 0000_0020H, 21H				
ch2 : 0000_0024H, 25H				
ch3 : 0000_0070H, 71H	Communications pre-scalar control register (CDCR)		Vacant	
ch4 : 0000_0074H, 75H				
ch0 : 0000_007AH				
ch1 : 0000_0078H				
ch2 : 0000_007EH				
ch3 : 0000_007CH				
ch4 : 0000_0082H				

# MB91133/MB91F133

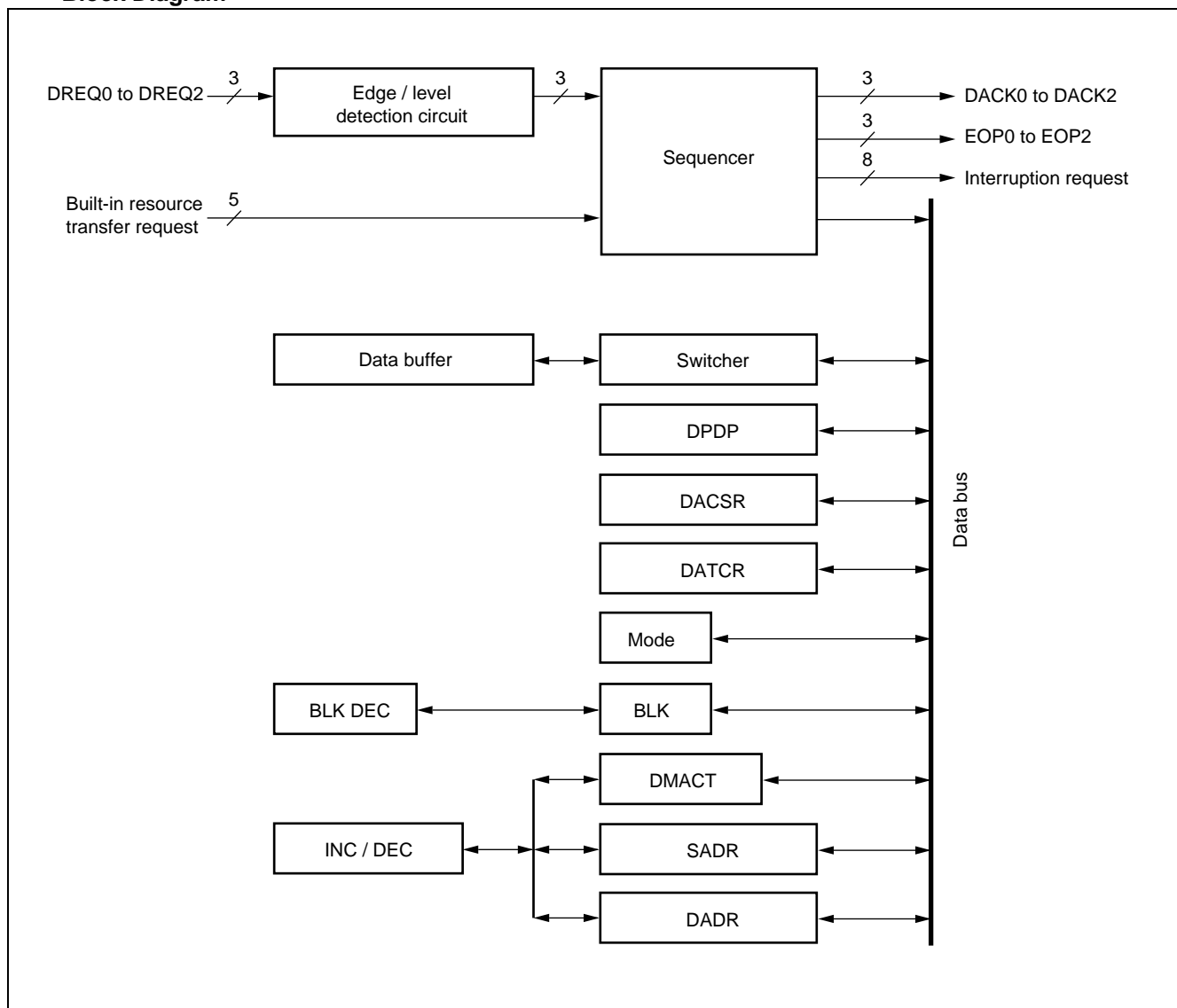
## 15. DMA Controller

The DMA controller is the built-in module of the MB91130 series that carry out direct memory access (DMA) transfers.

### • Characteristics of the DMA Controller

- 8 channels
- 3 transfer mode types : single/block transfer, burst transfer, continuous transfer
- Transfer between overall address areas
- Maximum 65,536 transfers
- Interruption function when transfer ends
- Increase/decrease in transfer addresses can be selected using software
- 3 external transfer request input/output pins and 3 external transfer end output pins

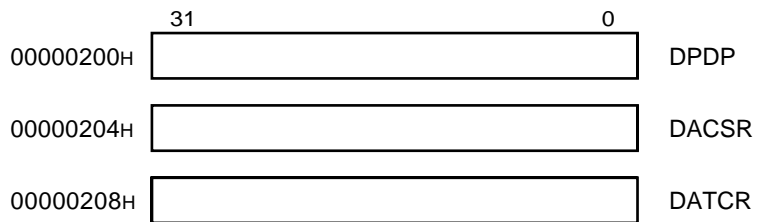
### • Block Diagram



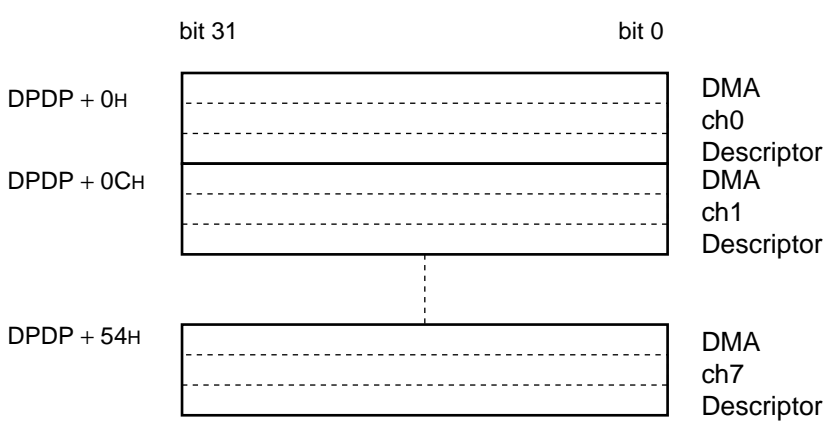
# MB91133/MB91F133

• Register List

(In DMAC : DMAC internal registers)



(On RAM : DMA descriptors)

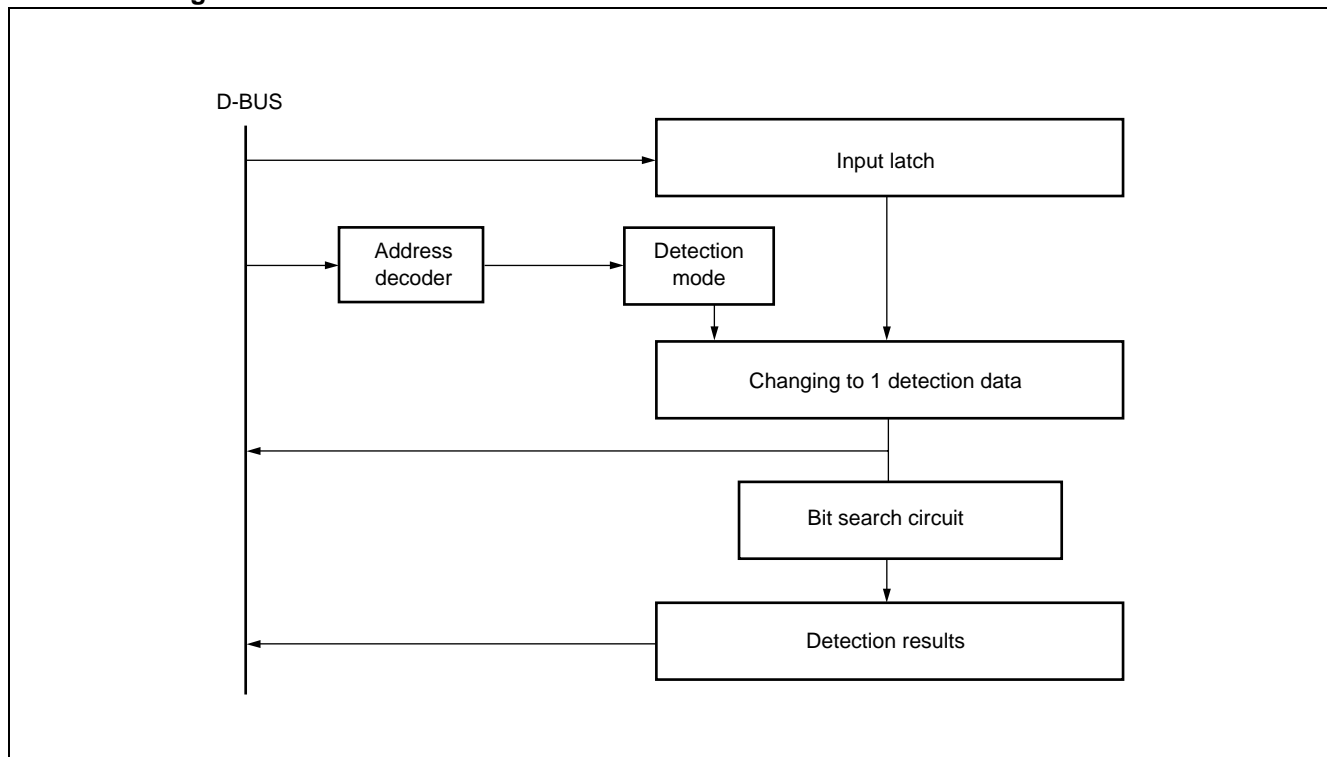


# MB91133/MB91F133

## 16. Bit Search Module

The bit search module searches for 0, 1 or change points on data that has been written in the input register, and returns the detected bit position.

### • Block Diagram



### • Register List

	31	0	
Address: 000003F0H	BSD0		Data register for 0 detection
Address: 000003F4H	BSD1		Data register for 1 detection
Address: 000003F8H	BSDC		Data register for change point detection
Address: 000003FCH	BSRR		Detection results register

## 17. FLASH Memory

The MB91FV130 / MB91F133 have a 254-KB (2 Mbit) capacity and feature a FLASH memory that can write each half-word (16 bits) using the FR-CPU, delete individual sectors sector and delete groups of sectors together using a single 3-V power source.

### • Outline of FLASH Memory

This is a built-in 3-V 254-KB FLASH memory. This FLASH memory is the same as our 2-Mbit (256 K × 8 / 128 K × 16) FLASH memory MBM29LV400C and writing is possible from outside the device using a ROM writer. If used as a built-in ROM of the FR-CPU, as well as having an equivalent function to the MBM29LV400C, instructions / data can be read per word (32 bits) and high-speed operation of the device can be realized.

Refer to the MBM29LV400C data sheet as well as this manual.

The following functions can be realised in MB91FV130 / MB91F133 by combining the FLASH memory macro and FR-CPU interface circuits.

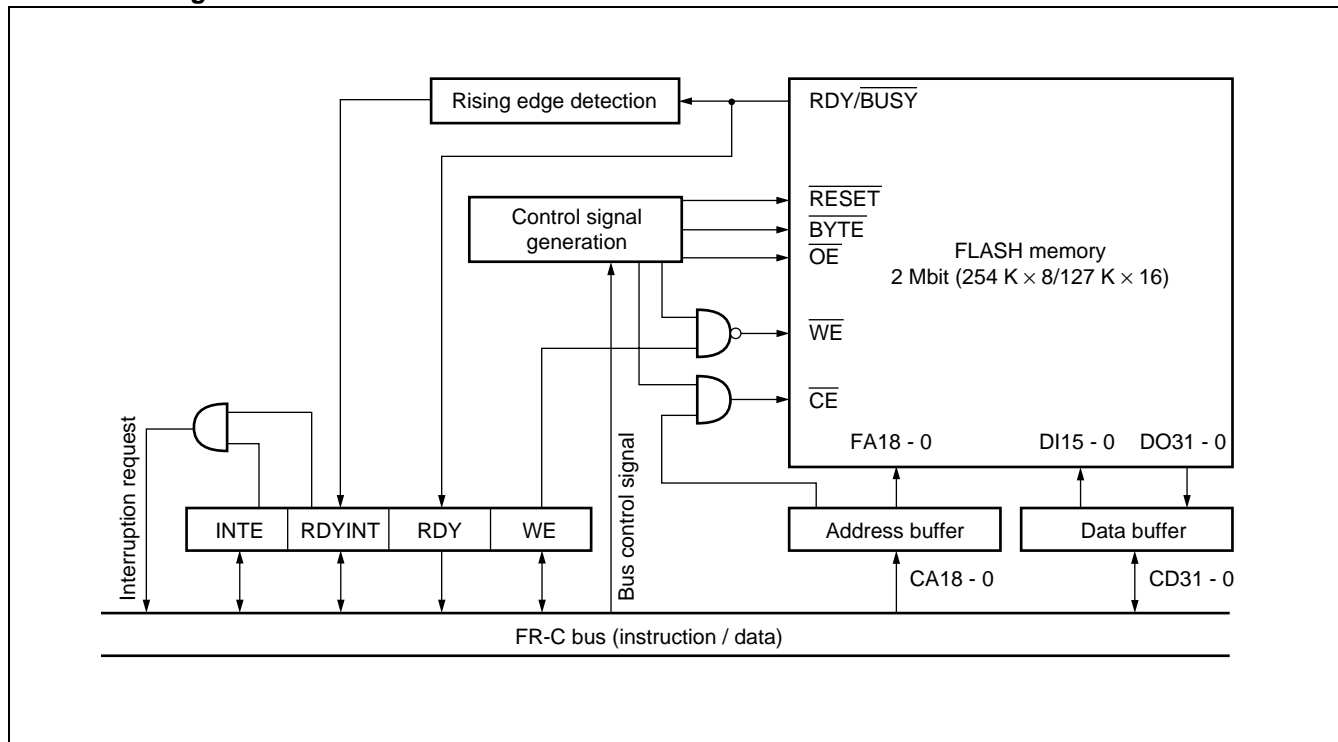
- Functioning as memory for CPU program / data storage
  - Access is possible with 32-bit bus width when used as ROM
  - Reading / writing and erasing (automatic program algorithm \*) are possible using CPU
- MBM29LV400C-equivalent function of single FLASH memory products
  - Reading / writing and erasing (automatic program algorithm \*) are possible using ROM writer

A case where this FLASH memory is used from FR-CPU is described in this section.

Refer to the ROM writer manual separately for details if this FLASH memory is used from ROM writer.

\* : Automatic program algorithm = Embedded Algorithm™  
 Embedded Algorithm™ is the trademark of Advanced Micro Device.

### • Block Diagram

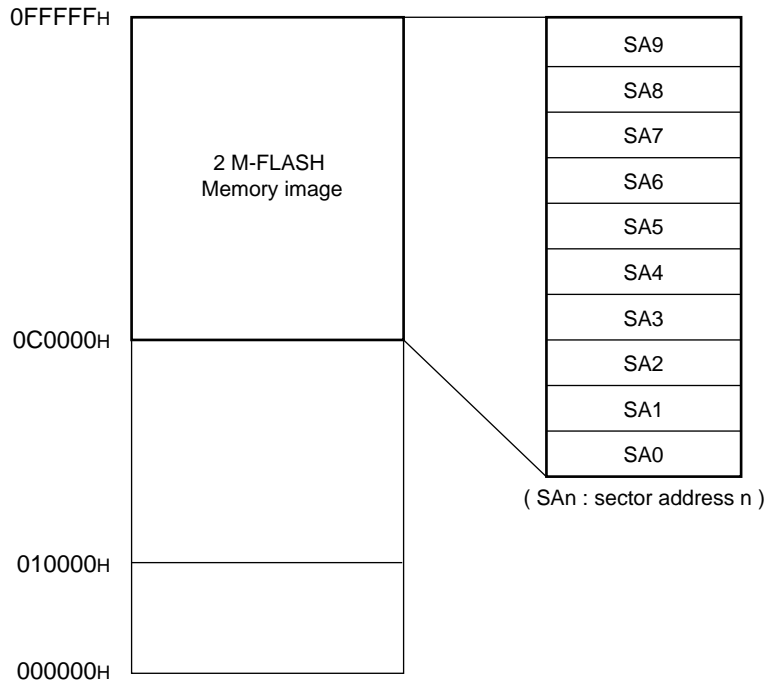


# MB91133/MB91F133

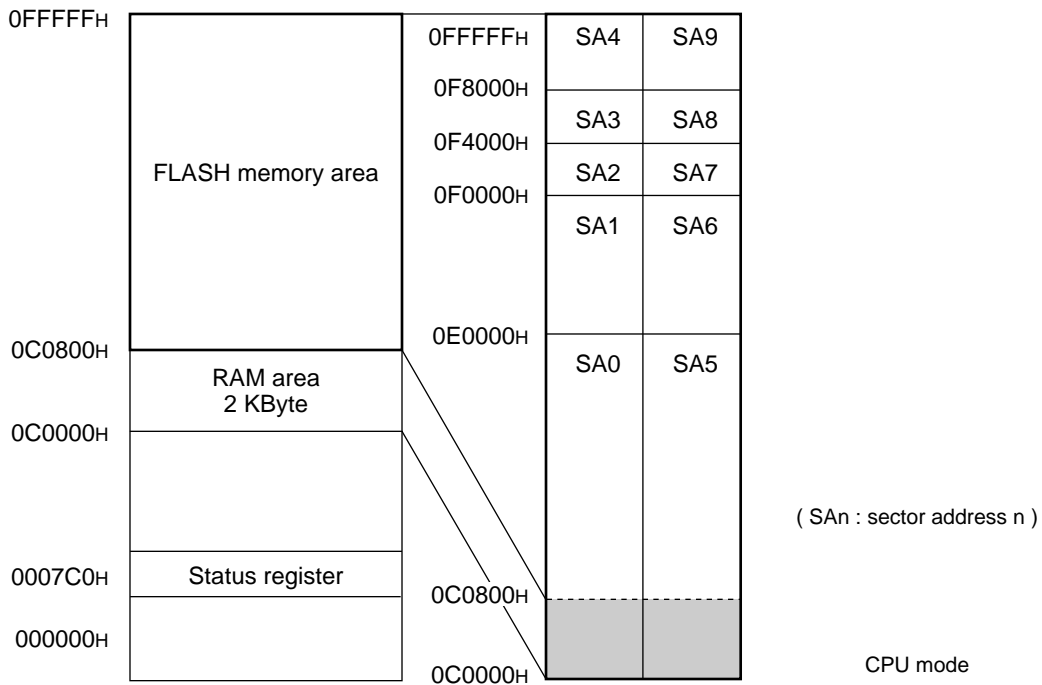
• **Memory Map**

FLASH memory mode and CPU mode for address mapping of FLASH memory are different. Mapping under each mode is shown as follows.

• **Memory map in FLASH memory mode**



• **Memory map in CPU memory mode**



# MB91133/MB91F133

## • Sector address table

Sector Address	Address Area	Position of bit handled	Sector Capacity
SA5	000C0802, 3h to 000DFFFE, Fh (LSB side 16 bit)	bit 15 to 0	63 Kbyte
SA6	000E0002, 3h to 000EFFFFE, Fh (LSB side 16 bit)	bit 15 to 0	32 Kbyte
SA7	000F0002, 3h to 000F3FFE, Fh (LSB side 16 bit)	bit 15 to 0	8 Kbyte
SA8	000F4002, 3h to 000F7FFE, Fh (LSB side 16 bit)	bit 15 to 0	8 Kbyte
SA9	000F8002, 3h to 000FFFFE, Fh (LSB side 16 bit)	bit 15 to 0	16 Kbyte
SA0	000C0800, 1h to 000DFFFC, Dh (MSB side 16 bit)	bit 31 to 16	63 Kbyte
SA1	000E0000, 1h to 000EFFFFC, Dh (MSB side 16 bit)	bit 31 to 16	32 Kbyte
SA2	000F0000, 1h to 000F3FFC, Dh (MSB side 16 bit)	bit 31 to 16	8 Kbyte
SA3	000F4000, 1h to 000F7FFC, Dh (MSB side 16 bit)	bit 31 to 16	8 Kbyte
SA4	000F8000, 1h to 000FFFFC, Dh (MSB side 16 bit)	bit 31 to 16	16 Kbyte

## • Registers of FLASH Memory

There are two types of FLASH memory registers, namely status register (FLCL) and wait register (FWTC).

### • Status Register (FLCR) (CPU mode)

This register indicates the operation status of the FLASH memory. It controls interruption to the CPU and writing to the FLASH memory.

Access is possible only in CPU mode. This register must not be accessed under Read / Modify / Write instructions.

	bit 7	bit 6	bit 5	bit 4	bit 3	bit 2	bit 1	bit 0
0007C0H	INTE	RDYINT	WE	RDY	—	—	—	LPM
	R/W (0)	R/W (0)	R/W (0)	R (X)	— (X)	— (X)	— (X)	R/W (0)

### • Wait Register (FWTC)

Carries out wait control of the FLASH memory in CPU mode. Also, controls access to high-speed reading (33MHz) of FLASH memory. Configuration of Wait Register (FWTC) is as follows :

	bit 7	bit 6	bit 5	bit 4	bit 3	bit 2	bit 1	bit 0
0007C4H	—	—	—	—	—	FACH	WTC1	WTC0
	— (—)	— (—)	— (—)	— (—)	— (—)	W (0)	R/W (0)	R/W (0)

Note : FACH bit should be set to 1 or WTC1/0 should be set to 01b to operate machine clocks of CPUs exceeding 25 MHz.

# MB91133/MB91F133

## ■ ELECTRICAL CHARACTERISTICS

### 1. Absolute Maximum Ratings

( $V_{SS} = AV_{SS} = 0.0\text{ V}$ )

Parameter	Symbol	Rating		Unit	Remarks
		Min.	Max.		
Power voltage	$V_{CC5}$	$V_{SS} - 0.3$	$V_{SS} + 6.5$	V	
Power voltage	$V_{CC3}$	$V_{SS} - 0.3$	$V_{SS} + 3.8$	V	
Analog power voltage	$AV_{CC}$	$V_{SS} - 0.3$	$V_{SS} + 6.5$	V	*1
Standard analog voltage	$AVRH$	$V_{SS} - 0.3$	$V_{SS} + 6.5$	V	*1
Input voltage	$V_{I5}$	$V_{SS} - 0.3$	$V_{CC5} + 0.3$	V	
Input voltage	$V_{I3}$	$V_{SS} - 0.3$	$V_{CC3} + 0.3$	V	X0, X1, X0A, X01A
Analog pin input voltage	$V_{IA}$	$V_{SS} - 0.3$	$AV_{CC} + 0.3$	V	
Output voltage	$V_O$	$V_{SS} - 0.3$	$V_{CC5} + 0.3$	V	
Maximum "L" level output current	$I_{OL}$	—	10	mA	*2
Average "L" level output current	$I_{OLAV}$	—	4	mA	*3
Maximum total "L" level output current	$\Sigma I_{OL}$	—	100	mA	
Average "L" level total output current	$\Sigma I_{OLAV}$	—	50	mA	*4
Maximum "H" level output current	$I_{OH}$	—	-10	mA	*2
Average "H" level output current	$I_{OHAV}$	—	-4	mA	*3
Maximum total "H" level output current	$\Sigma I_{OH}$	—	-50	mA	
Average "H" level total output current	$\Sigma I_{OHAV}$	—	-20	mA	*4
Electricity consumption	$P_D$	—	500	mW	
Storage temperature	$T_{stg}$	-55	+150	°C	

\*1 : Care must be taken that this does not exceed  $V_{CC5} + 0.3\text{ V}$  when the power is turned on. Also, care must be taken that  $AV_{CC}$  does not exceed  $V_{CC5}$  when the power is turned on.  $AV_{CC}$  should be set at the same electrical potential as  $V_{CC5}$ .

\*2 : Peak value of the pin concerned is regulated as the maximum output current.

\*3 : Average current within 100 ms flowing in the pin concerned is regulated as the average output current.

\*4 : Average current within 100 ms flowing in all pins concerned is regulated as the average total output current.

**WARNING:** Semiconductor devices can be permanently damaged by application of stress (voltage, current, temperature, etc.) in excess of absolute maximum ratings. Do not exceed these ratings.



# MB91133/MB91F133

## 2. Recommended Operating Conditions

( $V_{SS} = AV_{SS} = 0.0\text{ V}$ )

Parameter		Symbol	Value		Unit	Remarks
			Min.	Max.		
Power voltage	Common	$V_{CC5}$	4.5	5.5	V	Under normal operation
	EVA FLASH	$V_{CC3}$	3.0	3.6	V	Under normal operation
			3.0	3.6		RAM status kept in the case of stop
	MASK ROM	$V_{CC3}$	2.7	3.6	V	Under normal operation
			2.7	3.6	V	RAM status kept in the case of stop
Analog power voltage		$AV_{CC}$	$V_{SS} + 4.5$	$V_{SS} + 5.5$	V	
Standard analog voltage		$AV_{RH}$	$AV_{SS} - 0.3$	$AV_{CC}$	V	
Operating temperature		$T_A$	0	+70	°C	In external ROM external bus / internal ROM external bus modes
		$T_A$	-40	+70	°C	In single-chip mode

**WARNING:** The recommended operating conditions are required in order to ensure the normal operation of the semiconductor device. All of the device's electrical characteristics are warranted when the device is operated within these ranges.

Always use semiconductor devices within their recommended operating condition ranges. Operation outside these ranges may adversely affect reliability and could result in device failure.

No warranty is made with respect to uses, operating conditions, or combinations not represented on the data sheet. Users considering application outside the listed conditions are advised to contact their FUJITSU representatives beforehand.

# MB91133/MB91F133

## 3. DC Characteristics

(MASK Model  $V_{CC5} = AV_{CC} = DAVC = 5.0\text{ V} \pm 10\%$ ,  $V_{CC3} = 2.7\text{ V to } 3.6\text{ V}$ ,  $V_{SS} = AV_{SS} = 0\text{ V}$ ,  $T_A = -40\text{ }^\circ\text{C to } +70\text{ }^\circ\text{C}$ )  
 (FLASH Model  $V_{CC5} = AV_{CC} = DAVC = 5.0\text{ V} \pm 10\%$ ,  $V_{CC3} = 3.0\text{ V to } 3.6\text{ V}$ ,  $V_{SS} = AV_{SS} = 0\text{ V}$ ,  $T_A = -40\text{ }^\circ\text{C to } +70\text{ }^\circ\text{C}$ )

Parameter	Symbol	Pin name	Conditions	Value			Unit	Remarks
				Min.	Typ.	Max.		
“H” level input voltage	$V_{IH}$	Input excluding following (*1)	—	$0.7 V_{CC5}$	—	$V_{CC5} + 0.3$	V	
	$V_{IHS}$	*1 Hysteresis input pin	—	$V_{CC5} - 0.4$	—	$V_{CC5} + 0.3$	V	
“L” level input voltage	$V_{IL}$	Input excluding following (*1)	—	$V_{SS} - 0.3$	—	$0.2 V_{CC5}$	V	
	$V_{ILS}$	*1 Hysteresis input pin	—	$V_{SS} - 0.3$	—	$V_{SS} + 0.4$	V	
“H” level output voltage	$V_{OH}$	—	$V_{CC5} = 5.0\text{ V}$ , $I_{OH} = -4.0\text{ mA}$	2.6	—	—	V	
“L” level output voltage	$V_{OL}$	—	$V_{CC5} = 5.0\text{ V}$ , $I_{OL} = 4.0\text{ mA}$	—	—	0.6	V	
Input leak current	$I_{LI}$	—	$V_{CC5} = 5.0\text{ V}$ , $V_{SS} < V_I < V_{DD}$	-5	—	5	$\mu\text{A}$	
Pull up resistance value	$R_{PULL}$	RST	—	—	50	—	$\text{k}\Omega$	
Power current	$I_{CC5}$	$V_{CC5}$	$V_{CC5} = 5.0\text{ V}$	—	15	20	$\text{mA}$	*2
	$I_{CC3}$	$V_{CC3}$	$V_{CC3} = 3.0\text{ V}$	—	50	100	$\text{mA}$	
	$I_{CCS5}$	$V_{CC5}$	$V_{CC5} = 5.0\text{ V}$	—	15	20	$\text{mA}$	*2
	$I_{CCS3}$	$V_{CC3}$	$V_{CC3} = 3.0\text{ V}$	—	24	85	$\text{mA}$	
	$I_{CCH5}$	$V_{CC5}$	$V_{CC5} = 5.0\text{ V}$ , $T_A = 25\text{ }^\circ\text{C}$	—	10	100	$\mu\text{A}$	*3
	$I_{CCH3}$	$V_{CC3}$	$V_{CC3} = 3.0\text{ V}$ , $T_A = 25\text{ }^\circ\text{C}$	—	10	100	$\mu\text{A}$	
Power current (FLASH models)	$I_{CC3}$	$V_{CC3}$	$V_{CC3} = 3.3\text{ V}$	—	80	120	$\text{mA}$	
	$I_{CCS3}$	$V_{CC3}$	$V_{CC3} = 3.3\text{ V}$	—	50	90	$\text{mA}$	
Input capacity	$C_{IN}$	Other than $V_{CC}$ , $AV_{CC}$ , $AV_{SS}$ , $AV_{RH}$ and $V_{SS}$	—	—	10	—	$\text{pF}$	

\*1 : Refer to “PIN FUNCTION DESCRIPTIONS”

\*2 : In case of CLK pin output only ( $C_L = 80\text{ pF}$ )

\*3 : Output pin OPEN

#### 4. AC Characteristics

##### (1) Clock Timing Standard

(MASK Model  $V_{CC5} = AV_{CC} = DAVC = 5.0\text{ V} \pm 10\%$ ,  $V_{CC3} = 2.7\text{ V to } 3.6\text{ V}$ ,  $V_{SS} = AV_{SS} = 0\text{ V}$ ,  $T_A = -40\text{ }^\circ\text{C to } +70\text{ }^\circ\text{C}$ )  
 (FLASH Model  $V_{CC5} = AV_{CC} = DAVC = 5.0\text{ V} \pm 10\%$ ,  $V_{CC3} = 3.0\text{ V to } 3.6\text{ V}$ ,  $V_{SS} = AV_{SS} = 0\text{ V}$ ,  $T_A = -40\text{ }^\circ\text{C to } +70\text{ }^\circ\text{C}$ )

Parameter	Sym- bol	Pin name	Condi- tions	Value		Unit	Remarks
				Min.	Max.		
Clock frequency (high-speed, self-oscillation)	f <sub>c</sub>	X0, X1	—	9	16.5	MHz	Self oscillation available area
Clock frequency (high-speed, PLL usage)							PLL usable area by self-oscillation input
Clock frequency (low-speed)	f <sub>CA</sub>	X0A, X1A	—	32		kHz	Self oscillation
Clock cycle time	t <sub>c</sub>	—		30.3	31250		
Frequency fluctuation rate *1 (when PLL locked)	Δf	—		—	10	%	
Internal operation clock frequency	CPU system	f <sub>CP</sub>		—	0.032	33	MHz
	Bus system	f <sub>CPB</sub>	0.032		25		
	Peripheral system	f <sub>CPP</sub>	0.032		25	Excluding analog area *2	
			1		25	Analog area *2	
Internal operation clock cycle time	CPU system	t <sub>CP</sub>	—	30.3	31250	ns	
	Bus system	t <sub>CPB</sub>		40	31250		
	Peripheral system	t <sub>CPP</sub>		40	31250		Excluding analog area *2
				40	1000		Analog area *2

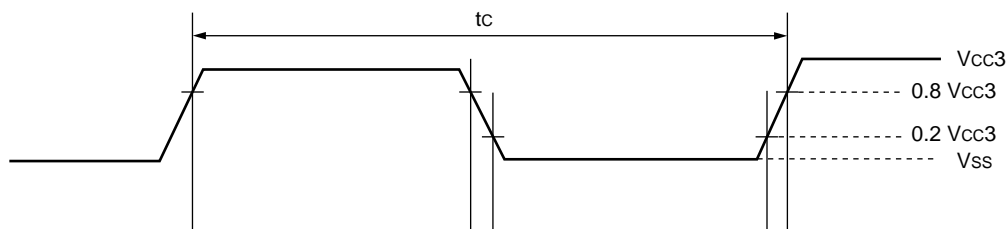
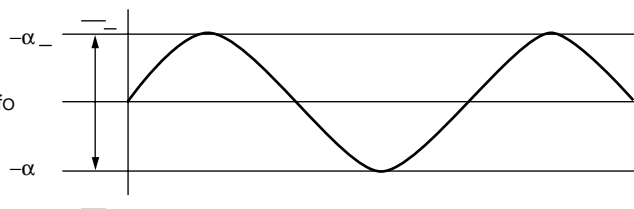
\*1 : Frequency fluctuation rate indicates the maximum fluctuation ratio from the setting central frequency during locking in case of doubling.

\*2 : The targeted analog areas are the A/D and level comparator.

# MB91133/MB91F133

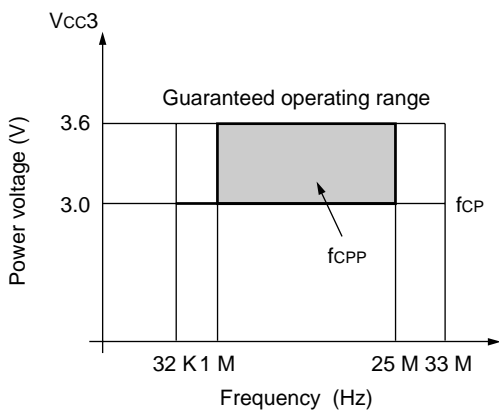
$$\Delta f = \frac{|\alpha|}{f_0} \times 100 (\%)$$

Central frequency  $f_0$

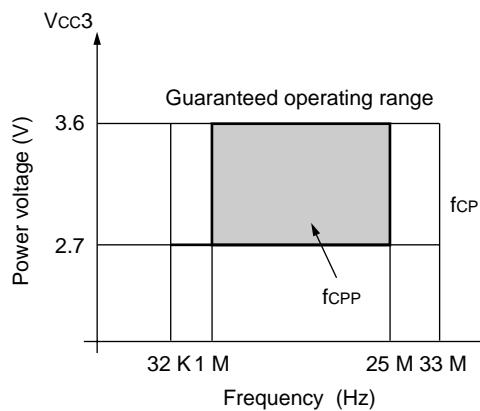


Peripheral system clock setting permitted area (A/D, D/A level comparator : 5 V ± 10%)

< FLASH model >

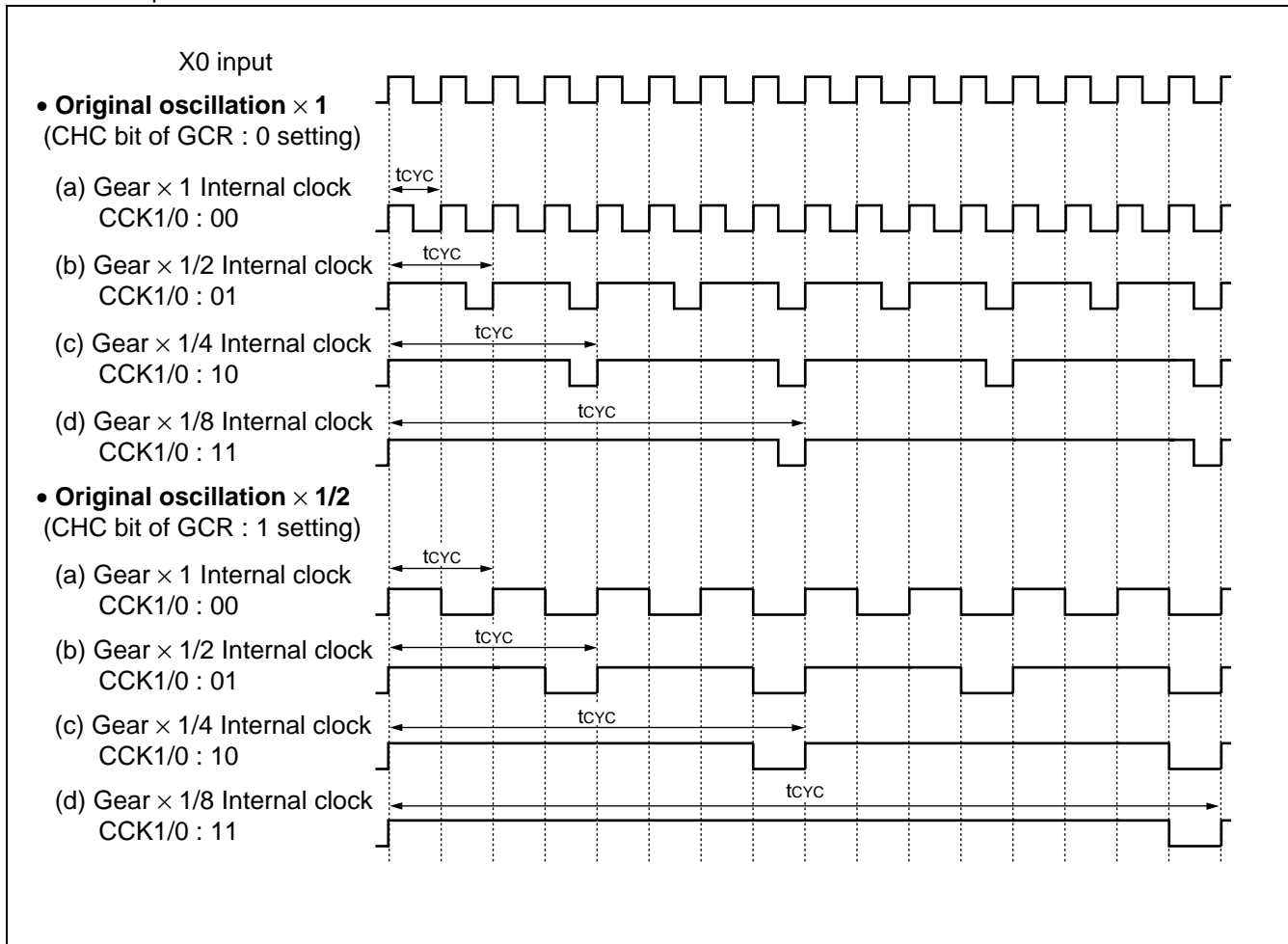


< MASK ROM model >



# MB91133/MB91F133

The relationship between the internal clock set by the CHC/CCK1/CCK0 bit of the Gear Control Register (GCR) and X0 input is as follows.



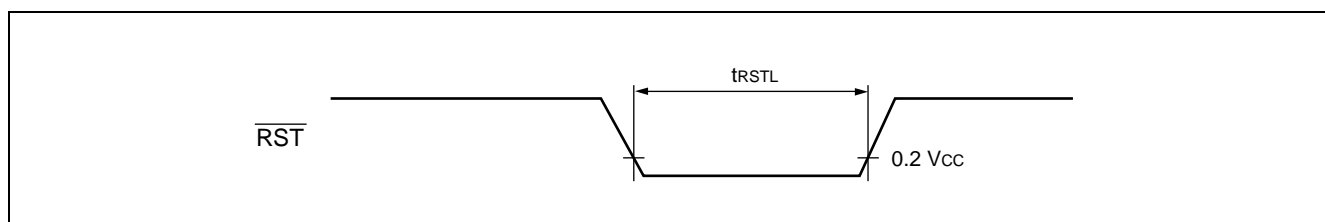
# MB91133/MB91F133

## (2) Reset Input Standards

(MASK Model  $V_{CC5} = AV_{CC} = DAVC = 5.0\text{ V} \pm 10\%$ ,  $V_{CC3} = 2.7\text{ V to } 3.6\text{ V}$ ,  $V_{SS} = AV_{SS} = 0\text{ V}$ ,  $T_A = -40\text{ }^\circ\text{C to } +70\text{ }^\circ\text{C}$ )

(FLASH Model  $V_{CC5} = AV_{CC} = DAVC = 5.0\text{ V} \pm 10\%$ ,  $V_{CC3} = 3.0\text{ V to } 3.6\text{ V}$ ,  $V_{SS} = AV_{SS} = 0\text{ V}$ ,  $T_A = -40\text{ }^\circ\text{C to } +70\text{ }^\circ\text{C}$ )

Parameter	Symbol	Pin name	Condi-tions	Value		Unit	Remarks
				Min.	Max.		
Reset input time	$t_{RSTL}$	$\overline{RST}$	—	$t_{CP} \times 5$	—	ns	

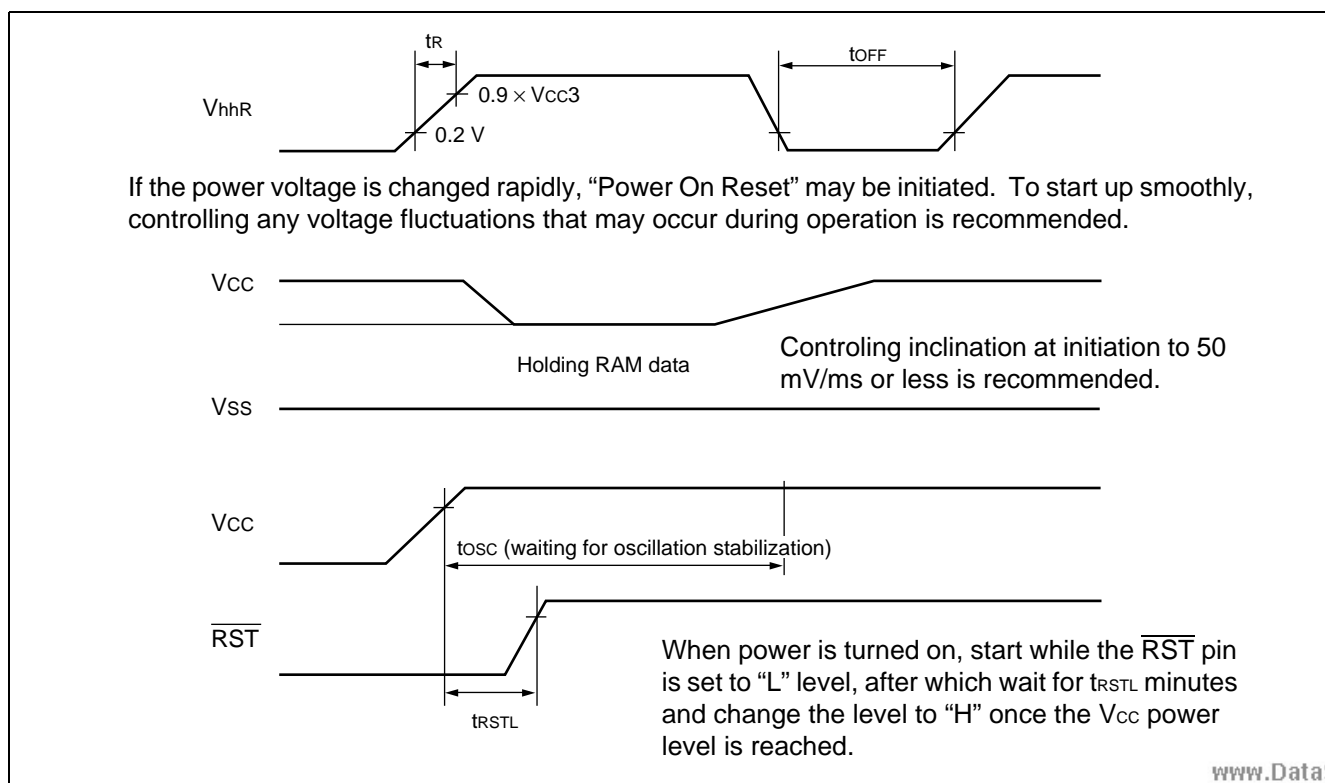


## (3) Power On Reset

(MASK Model  $V_{CC5} = AV_{CC} = DAVC = 5.0\text{ V} \pm 10\%$ ,  $V_{CC3} = 2.7\text{ V to } 3.6\text{ V}$ ,  $V_{SS} = AV_{SS} = 0\text{ V}$ ,  $T_A = -40\text{ }^\circ\text{C to } +70\text{ }^\circ\text{C}$ )

(FLASH Model  $V_{CC5} = AV_{CC} = DAVC = 5.0\text{ V} \pm 10\%$ ,  $V_{CC3} = 3.0\text{ V to } 3.6\text{ V}$ ,  $V_{SS} = AV_{SS} = 0\text{ V}$ ,  $T_A = -40\text{ }^\circ\text{C to } +70\text{ }^\circ\text{C}$ )

Parameter	Sym-bol	Pin name	Conditions	Value		Unit	Remarks
				Min.	Max.		
Power startup time	$f_R$	$V_{CC}$	—	—	20	ms	
Power cut time	$t_{OFF}$			2	—	ms	
Waiting time for oscillation stabilization	$t_{OSC}$	—	—	$2^{13} t_c$	—	ns	



# MB91133/MB91F133

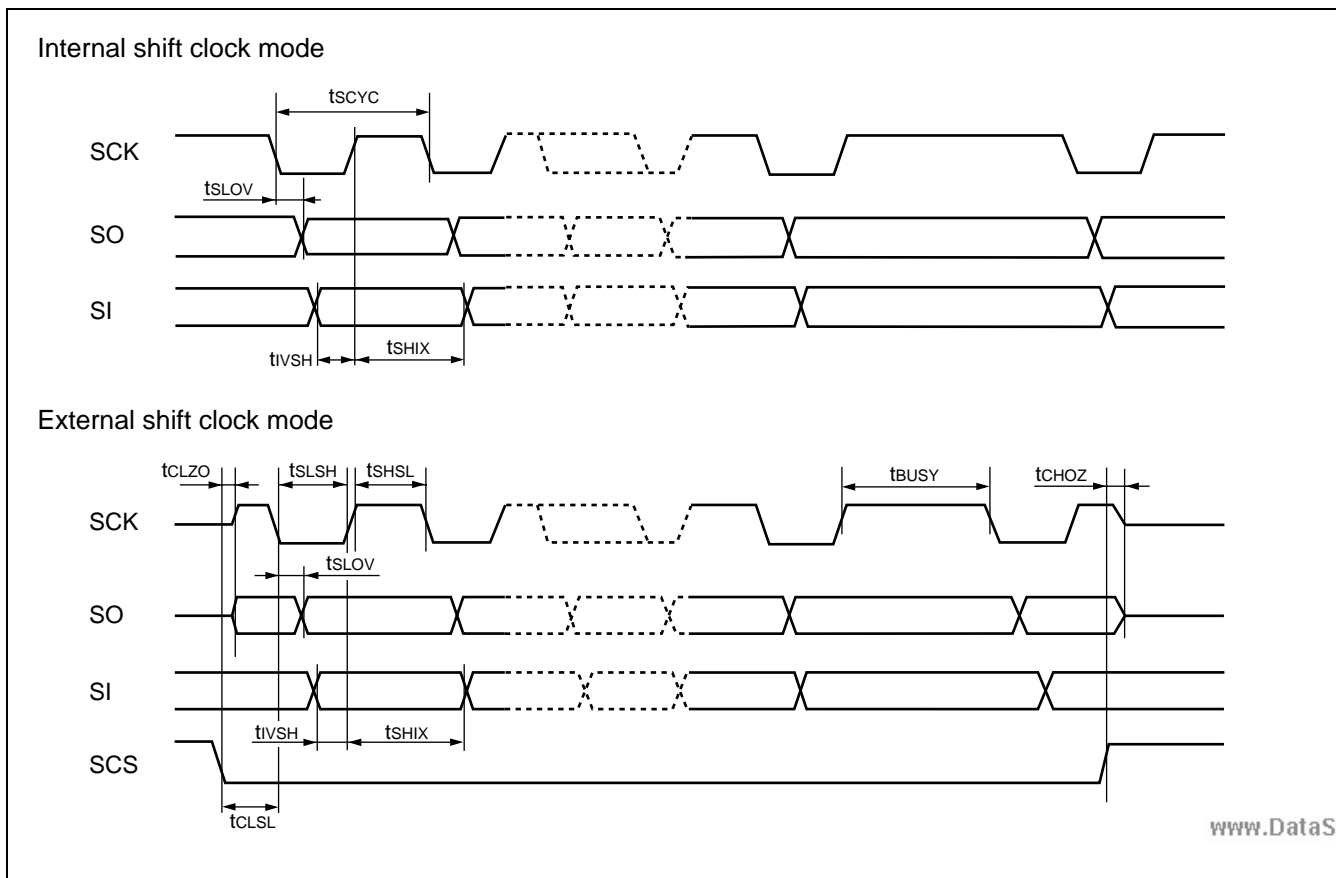
## (4) Serial I/O (CH0 to 4)

(MASK Model  $V_{CC5} = AV_{CC} = DAVC = 5.0\text{ V} \pm 10\%$ ,  $V_{CC3} = 2.7\text{ V to } 3.6\text{ V}$ ,  $V_{SS} = AV_{SS} = 0\text{ V}$ ,  $T_A = -40\text{ }^\circ\text{C to } +70\text{ }^\circ\text{C}$ )

(FLASH Model  $V_{CC5} = AV_{CC} = DAVC = 5.0\text{ V} \pm 10\%$ ,  $V_{CC3} = 3.0\text{ V to } 3.6\text{ V}$ ,  $V_{SS} = AV_{SS} = 0\text{ V}$ ,  $T_A = -40\text{ }^\circ\text{C to } +70\text{ }^\circ\text{C}$ )

Parameter	Symbol	Pin name	Conditions	Value		Unit	Remarks
				Min.	Max.		
Serial clock cycle time	tSCYC	—	Internal clock	$8 t_{CPP}$	—	ns	
SCK ↓ → SO delay time	tSLOV	—		-10	50	ns	
Valid SI → SCK ↑	tIVSH	—		50	—	ns	
SCK ↑ → Valid SI holding time	tSHIX	—		50	—	ns	
Serial clock H pulse width	tSHSL	—	External clock	$4 t_{CPP} - 10$	—	ns	*
Serial clock L pulse width	tSLSH	—		$4 t_{CPP} - 10$	—	ns	
SCK ↓ → SO delay time	tSLOV	—		0	50	ns	
Valid SI → SCK ↑	tIVSH	—		50	—	ns	
SCK ↑ → Valid SI holding time	tSHIX	—		50	—	ns	
Serial busy period	tBUSY	—		—	$6 t_{CPP}$	ns	
SCS ↓ → SCK, SO delay time	tCLZO	—		—	50	ns	
SCS ↓ → SCK input MASK time	tCLSL	—		—	$3 t_{CPP}$	ns	
SCS ↑ → SCK, SO Hi-Z time	tCHOZ	—		50	—	ns	

\*: Will be Min.  $1 t_{CPP} - 10$  if pre-scaler setting is CS2, 1, 0 = 000.



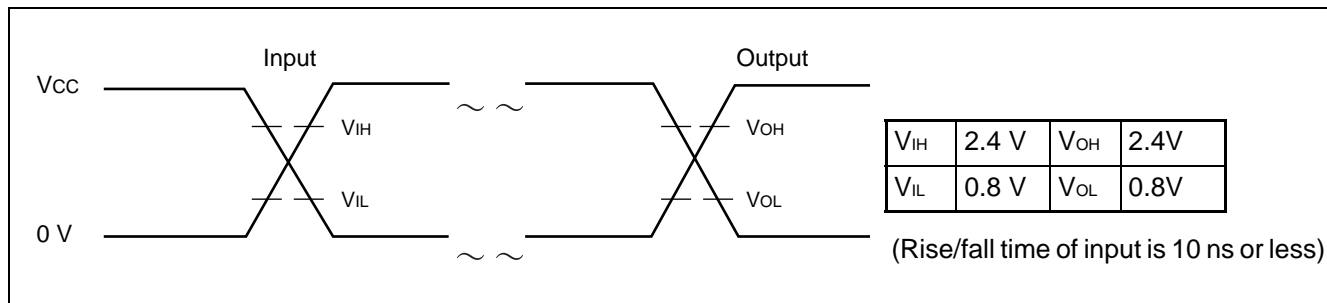
# MB91133/MB91F133

## (5) External Bus Measurement Conditions

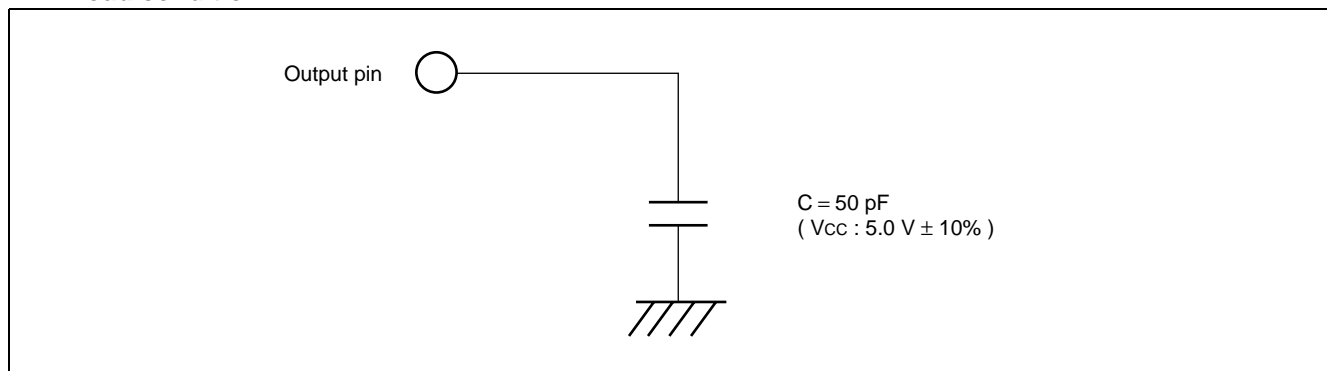
The following conditions apply to items without specific regulations.

### • Alternating current standard measurement condition

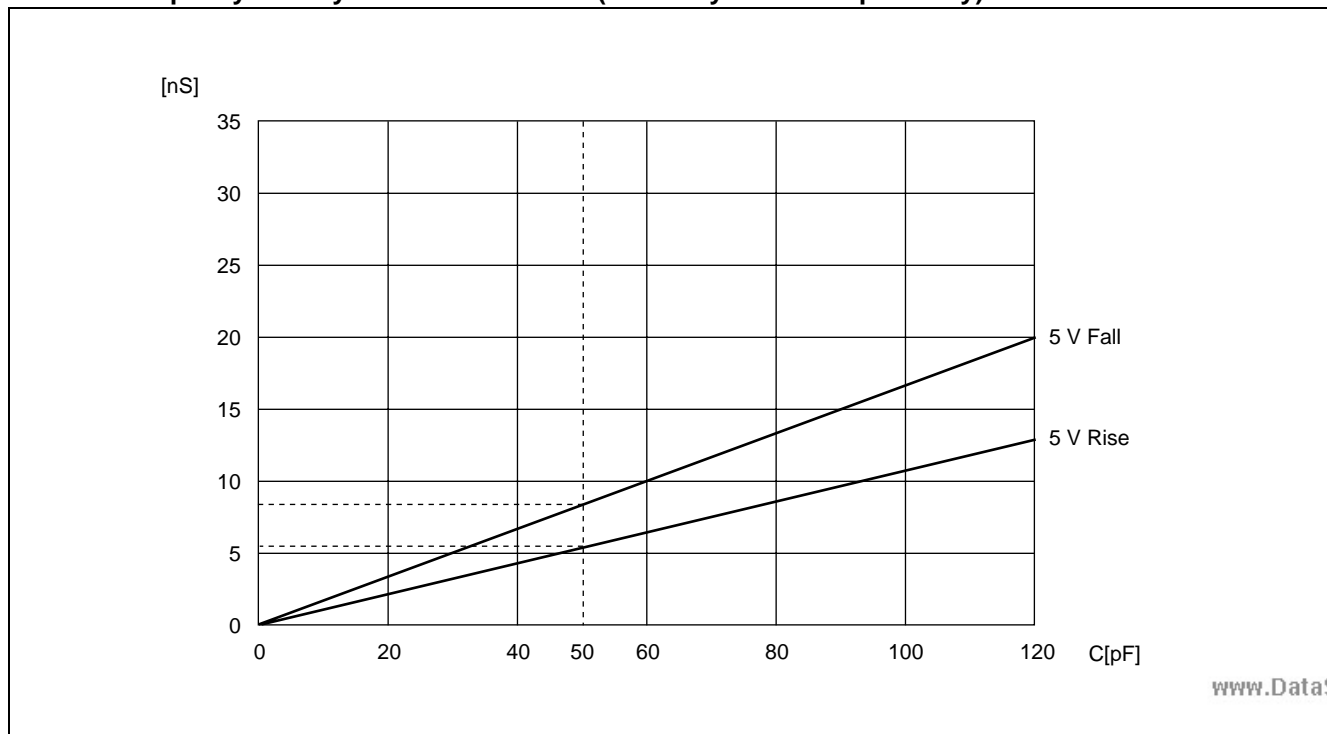
$V_{CC} : 5.0 \text{ V} \pm 10\%$



### • Load condition



### • Load capacity – Delay time characteristic (Internally-based output delay)





# MB91133/MB91F133

## (6) Normal Bus Access Read/Write Operation

(MASK Model  $V_{CC5} = AV_{CC} = DAVC = 5.0\text{ V} \pm 10\%$ ,  $V_{CC3} = 2.7\text{ V to }3.6\text{ V}$ ,  $V_{SS} = AV_{SS} = 0\text{ V}$ ,  $T_A = -40\text{ }^\circ\text{C to }+70\text{ }^\circ\text{C}$ )

(FLASH Model  $V_{CC5} = AV_{CC} = DAVC = 5.0\text{ V} \pm 10\%$ ,  $V_{CC3} = 3.0\text{ V to }3.6\text{ V}$ ,  $V_{SS} = AV_{SS} = 0\text{ V}$ ,  $T_A = -40\text{ }^\circ\text{C to }+70\text{ }^\circ\text{C}$ )

Parameter	Symbol	Pin name	Conditions	Value		Unit	Remarks
				Min.	Max.		
Address delay time	$t_{CHAV}$	CLK A23 to A00	—	—	15	ns	
Data delay time	$t_{CHDV}$	CLK D31 to D16		—	15	ns	
$\overline{RD}$ delay time	$t_{CLRL}$	CLK RD		—	10	ns	
$\overline{RD}$ delay time	$t_{CLRH}$			—	10	ns	
$\overline{WR0}$ to $\overline{1}$ delay time	$t_{CLWL}$	CLK $\overline{WR0}$ to $\overline{1}$		—	10	ns	
$\overline{WR0}$ to $\overline{1}$ delay time	$t_{CLWH}$			—	10	ns	
Valid address / valid data input time	$t_{AVDV}$	A23 to A00 D31 to D16		—	$3/2 \times t_{cyc} - 25$	ns	*1, *2
$\overline{RD} \downarrow \rightarrow$ valid data input time	$t_{RLDV}$	$\overline{RD}$ D31 to D16		—	$t_{cyc} - 15$	ns	*1
Data setup $\rightarrow \overline{RD} \uparrow$ time	$t_{DSRH}$			15	—	ns	
$\overline{RD} \uparrow \rightarrow$ Data holding time	$t_{RHDX}$			0	—	ns	

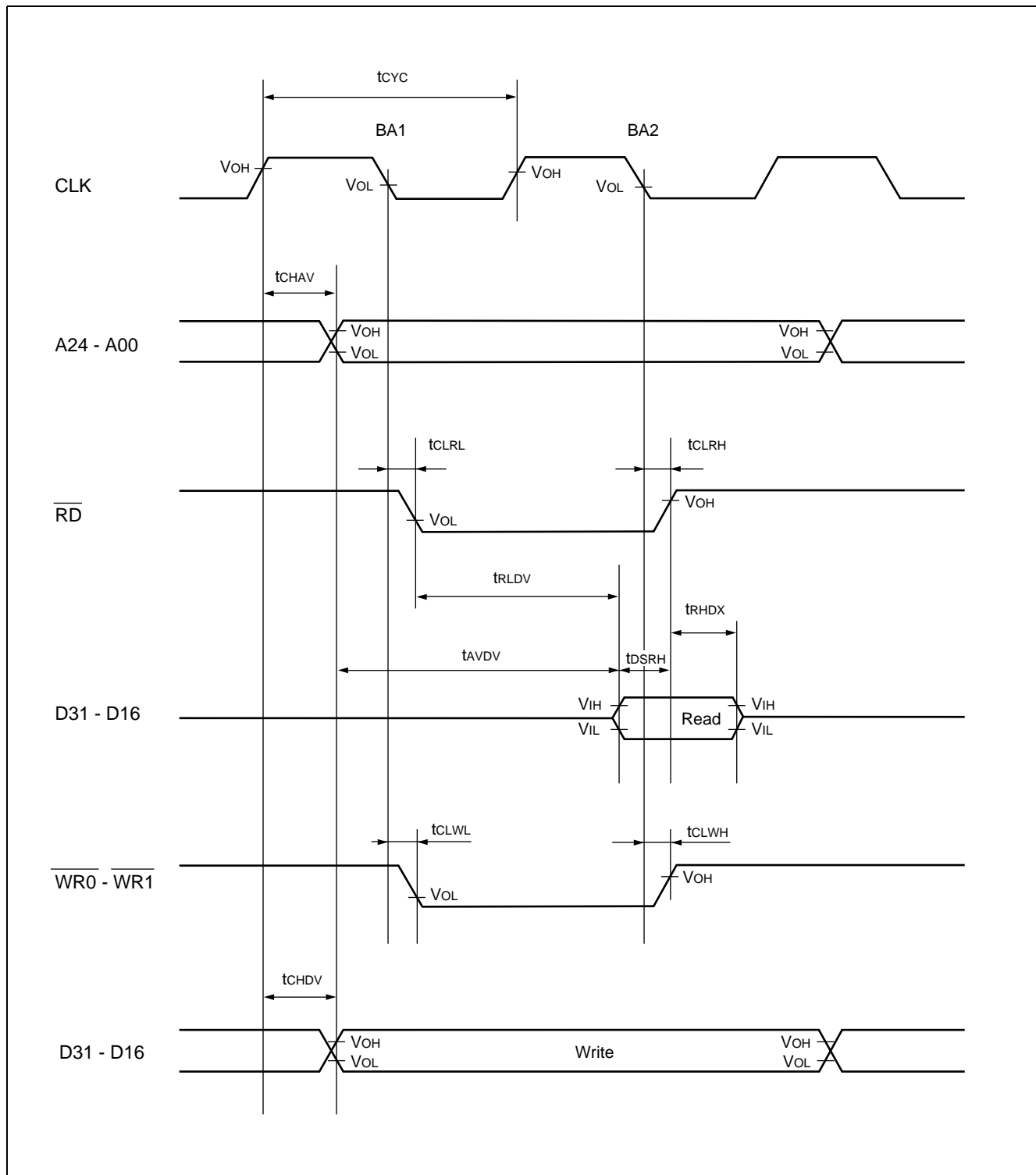
\*1 : Time ( $t_{cyc} \times$  number of cycles extended) needs to be added to this standard if the bus is extended by automatic waiting insertion and RDY input.

\*2 : Values of this standard are in case of gear cycle  $\times 1$ .

If the gear cycle is set to 1/2, 1/4 or 1/8, calculation should be made using the following formula and replacing n with 1/2, 1/4 or 1/8.

- Calculation formula :  $(2 - n / 2) \times t_{cyc} - 25$

# MB91133/MB91F133



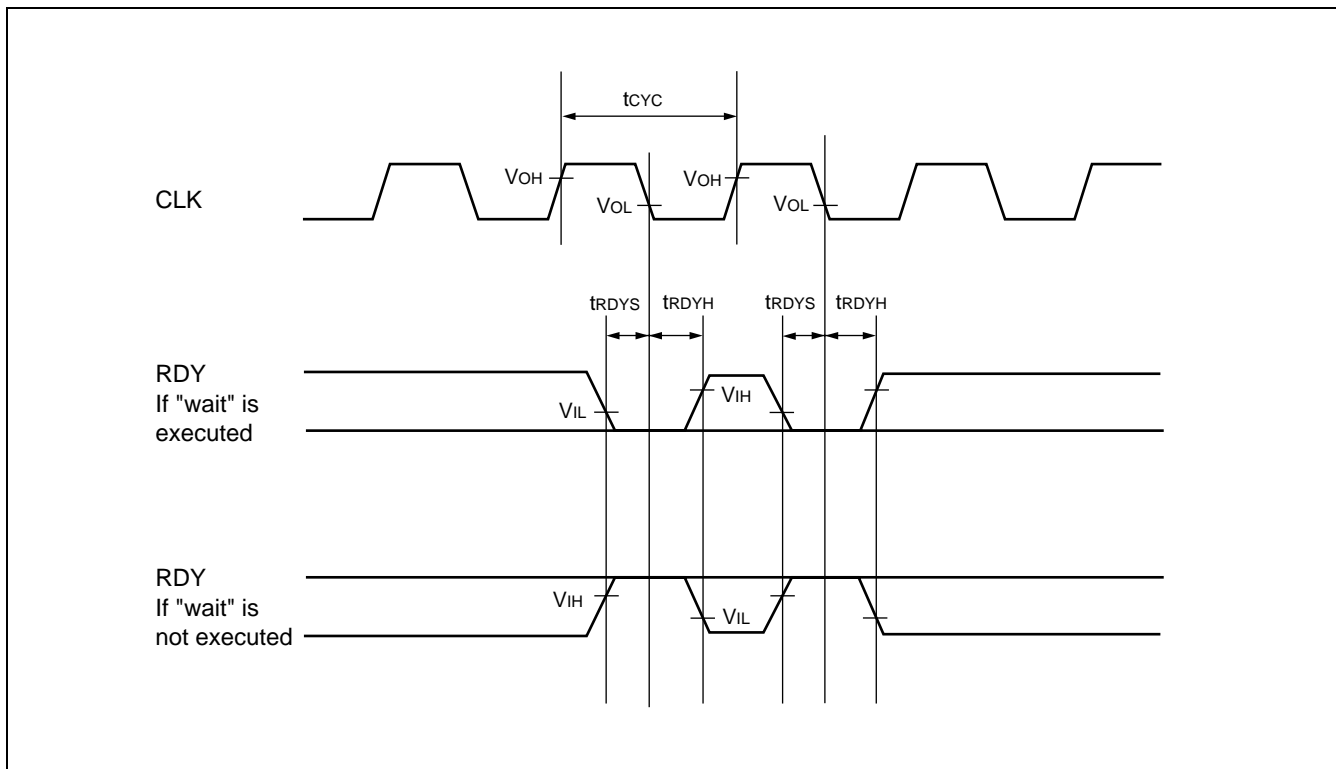
# MB91133/MB91F133

## (7) Ready Input Timing

(MASK Model  $V_{CC5} = AV_{CC} = DAVC = 5.0\text{ V} \pm 10\%$ ,  $V_{CC3} = 2.7\text{ V to } 3.6\text{ V}$ ,  $V_{SS} = AV_{SS} = 0\text{ V}$ ,  $T_A = -40\text{ }^\circ\text{C to } +70\text{ }^\circ\text{C}$ )

(FLASH Model  $V_{CC5} = AV_{CC} = DAVC = 5.0\text{ V} \pm 10\%$ ,  $V_{CC3} = 3.0\text{ V to } 3.6\text{ V}$ ,  $V_{SS} = AV_{SS} = 0\text{ V}$ ,  $T_A = -40\text{ }^\circ\text{C to } +70\text{ }^\circ\text{C}$ )

Parameter	Symbol	Pin name	Conditions	Value		Unit	Remarks
				Min.	Max.		
RDY setup time $\rightarrow$ CLK $\downarrow$	$t_{RDYS}$	RDY CLK	—	15	—	ns	
CLK $\downarrow$ $\rightarrow$ RDY holding time	$t_{RDYH}$	RDY CLK		0	—	ns	



# MB91133/MB91F133

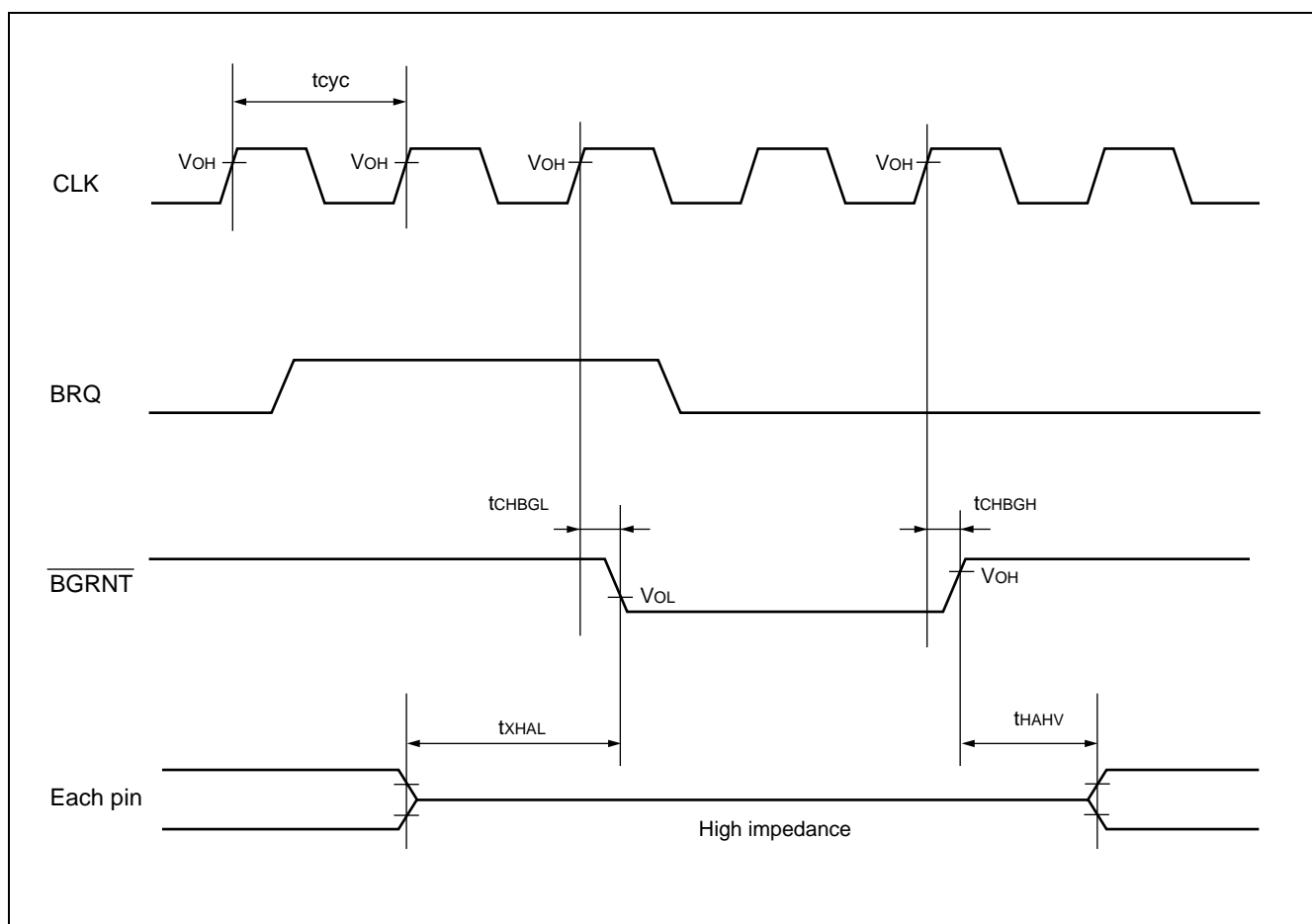
## (8) Holding timing

(MASK Model  $V_{CC5} = AV_{CC} = DAVC = 5.0\text{ V} \pm 10\%$ ,  $V_{CC3} = 2.7\text{ V to } 3.6\text{ V}$ ,  $V_{SS} = AV_{SS} = 0\text{ V}$ ,  $T_A = -40\text{ }^\circ\text{C to } +70\text{ }^\circ\text{C}$ )

(FLASH Model  $V_{CC5} = AV_{CC} = DAVC = 5.0\text{ V} \pm 10\%$ ,  $V_{CC3} = 3.0\text{ V to } 3.6\text{ V}$ ,  $V_{SS} = AV_{SS} = 0\text{ V}$ ,  $T_A = -40\text{ }^\circ\text{C to } +70\text{ }^\circ\text{C}$ )

Parameter	Symbol	Pin name	Conditions	Value		Unit	Remarks
				Min.	Max.		
$\overline{\text{BGRNT}}$ delay time	$t_{\text{CHBGL}}$	CLK	—	—	6	ns	
$\overline{\text{BGRNT}}$ delay time	$t_{\text{CHBGH}}$	$\overline{\text{BGRNT}}$		—	6	ns	
Pin floating $\rightarrow \overline{\text{BGRNT}}$ $\downarrow$ time	$t_{\text{XHAL}}$	$\overline{\text{BGRNT}}$		$t_{\text{CYC}} - 10$	$t_{\text{CYC}} + 10$	ns	
$\overline{\text{BGRNT}}$ $\uparrow \rightarrow$ Pin valid time	$t_{\text{HAHV}}$			$t_{\text{CYC}} - 10$	$t_{\text{CYC}} + 10$	ns	

Note : It takes at least one cycle from loading the BRQ to when  $\overline{\text{BGRNT}}$  is changed.



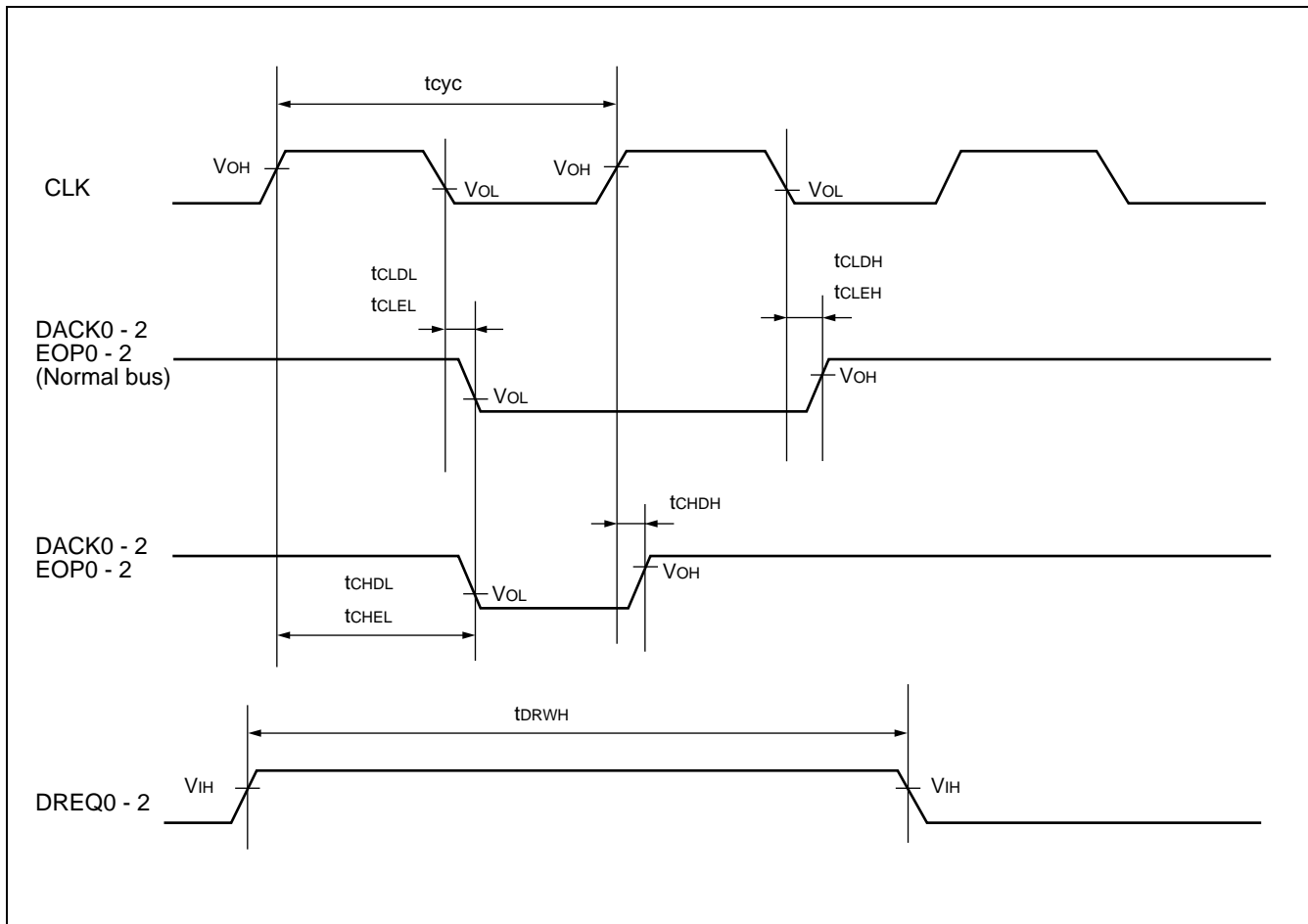
# MB91133/MB91F133

## (9) DMA Controller Timing

(MASK Model  $V_{CC5} = AV_{CC} = DA_{VC} = 5.0\text{ V} \pm 10\%$ ,  $V_{CC3} = 2.7\text{ V to } 3.6\text{ V}$ ,  $V_{SS} = AV_{SS} = 0\text{ V}$ ,  $T_A = -40\text{ }^\circ\text{C to } +70\text{ }^\circ\text{C}$ )

(FLASH Model  $V_{CC5} = AV_{CC} = DA_{VC} = 5.0\text{ V} \pm 10\%$ ,  $V_{CC3} = 3.0\text{ V to } 3.6\text{ V}$ ,  $V_{SS} = AV_{SS} = 0\text{ V}$ ,  $T_A = -40\text{ }^\circ\text{C to } +70\text{ }^\circ\text{C}$ )

Parameter	Symbol	Pin name	Conditions	Value		Unit	Remarks
				Min.	Max.		
DREQ input pulse width	$t_{DRWH}$	DREQ0 to DREQ2	—	$2 t_{CYC}$	—	ns	
DACK delay time (Normal bus)	$t_{CLDL}$	CLK		—	6	ns	
	$t_{CLDH}$	DACK0 to DACK2		—	6	ns	
EOP delay time (Normal bus)	$t_{CLEL}$	CLK		—	6	ns	
	$t_{CLEH}$	EOP0 to EOP2		—	6	ns	
DACK delay time	$t_{CHDL}$	CLK		—	$n / 2 \times t_{CYC}$	ns	
	$t_{CHDH}$	DACK0 to DACK2		—	6	ns	
EOP delay time	$t_{CHEL}$	CLK		—	$n / 2 \times t_{CYC}$	ns	
	$t_{CHEH}$	EOP0 to EOP2	—	6	ns		



# MB91133/MB91F133

## 5. A/D Transition

(MASK Model  $V_{CC5} = AV_{CC} = DAVC = 5.0 \text{ V} \pm 10\%$ ,  $V_{CC3} = 2.7 \text{ V to } 3.6 \text{ V}$ ,  $V_{SS} = AV_{SS} = 0 \text{ V}$ ,  $T_A = -40 \text{ }^\circ\text{C to } +70 \text{ }^\circ\text{C}$ )  
 (FLASH Model  $V_{CC5} = AV_{CC} = DAVC = 5.0 \text{ V} \pm 10\%$ ,  $V_{CC3} = 3.0 \text{ V to } 3.6 \text{ V}$ ,  $V_{SS} = AV_{SS} = 0 \text{ V}$ ,  $T_A = -40 \text{ }^\circ\text{C to } +70 \text{ }^\circ\text{C}$ )

Parameter	Symbol	Pin name	Conditions	Value			Unit	Remarks	
				Min.	Typ.	Max.			
Resolution	—	—	—	—	—	10	Bit		
Conversion time	—	—	—	5.0	—	—	$\mu\text{s}$		
Total tolerance	—	—	$AV_{CC} = 5.0 \text{ V}$ , $AV_{RH} = 5.0 \text{ V}$	-4.0	—	4.0	LSB		
Straight-line tolerance	—	—		-3.5	—	3.5	LSB		
Differential straight-line tolerance	—	—		-2.0	—	2.0	LSB		
Zero transition tolerance	$V_{OT}$	AN0 to AN7	$AV_{CC} = 5.0 \text{ V}$ , $AV_{RH} = 5.0 \text{ V}$	$AV_{SS} - 1.5$	$AV_{SS} + 0.5$	$AV_{SS} + 2.5$	LSB		
Full-scale transition tolerance	$V_{FST}$	AN0 to AN7		$AV_{RH} - 5.5$	$AV_{RH} - 1.5$	$AV_{RH} + 0.5$	LSB		
Analog input current	$I_{AIN}$	AN0 to AN7	—	0.1	10	$\mu\text{A}$			
Analog input voltage	$V_{AIN}$	AN0 to AN7	—	$AV_{SS}$	—	$AV_{RH}$	V		
Standard voltage	$AV_{RH}$	$AV_{RH}$	—	—	—	$AV_{CC}$	V		
Power current	When conversion is activated	$I_A$	$AV_{CC}$	$AV_{CC} = 5.0 \text{ V}$	—	3.0	5.0	mA	
	When conversion is stopped	$I_{AH}$			—	—	5.0	$\mu\text{A}$	
Standard voltage current supplied	When conversion is activated	$I_R$	$AV_{RH}$	$AV_{CC} = 5.0 \text{ V}$ , $AV_{RH} = 5.0 \text{ V}$	—	2.0	3.0	mA	
	When conversion is stopped	$I_{RH}$			—	—	10	$\mu\text{A}$	
Tolerance between channels	—	AN0 to AN7	—	—	—	4	LSB		

Notes : • As the  $|AV_{RH}|$  becomes smaller, the tolerance becomes larger.

- Output impedance of external circuits other than analog input must be used if output impedance of external circuits  $<$  approx.  $7 \text{ k}\Omega$

If the output impedance of the external circuits is too high, the sampling time for the analog voltage may be insufficient.

(Sampling time =  $1.6 \mu\text{s}$  at  $33 \text{ MHz}$ )

- **Definition of A/D Converter Terms**

- Resolution :

Analog changes that can be identified by A/D converter

- Straight-line tolerance :

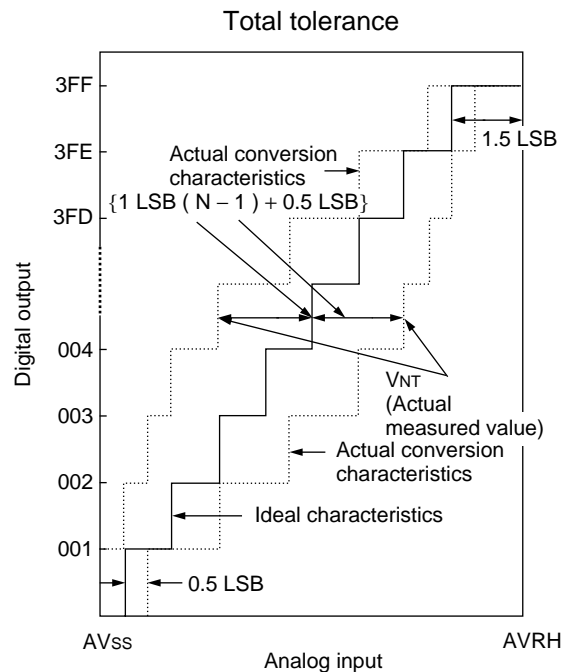
Difference between the straight line linking the zero transition point (00 0000 0000  $\leftrightarrow$  00 0000 0001) to the full-scale transition point (11 1111 1110  $\leftrightarrow$  11 1111 1111) and actual conversion characteristics.

- Differential straight-line tolerance :

Difference compared to the ideal input voltage value required to change the output code 1 LSB

- Total tolerance :

Indicates the difference between the actual and theoretical values and includes zero transition tolerance, full-scale transition tolerance, and straight-line tolerance.



$$\text{Total tolerance of digital output } N = \frac{V_{NT} - \{1 \text{ LSB} \times (N - 1) + 0.5 \text{ LSB}'\}}{1 \text{ LSB}}$$

$$1 \text{ LSB (Ideal value)} = \frac{AVRH - AV_{SS}}{1024} \text{ [V]}$$

$$V_{OT} \text{ (Ideal value)} = AV_{SS} + 0.5 \text{ LSB}' \text{ [V]}$$

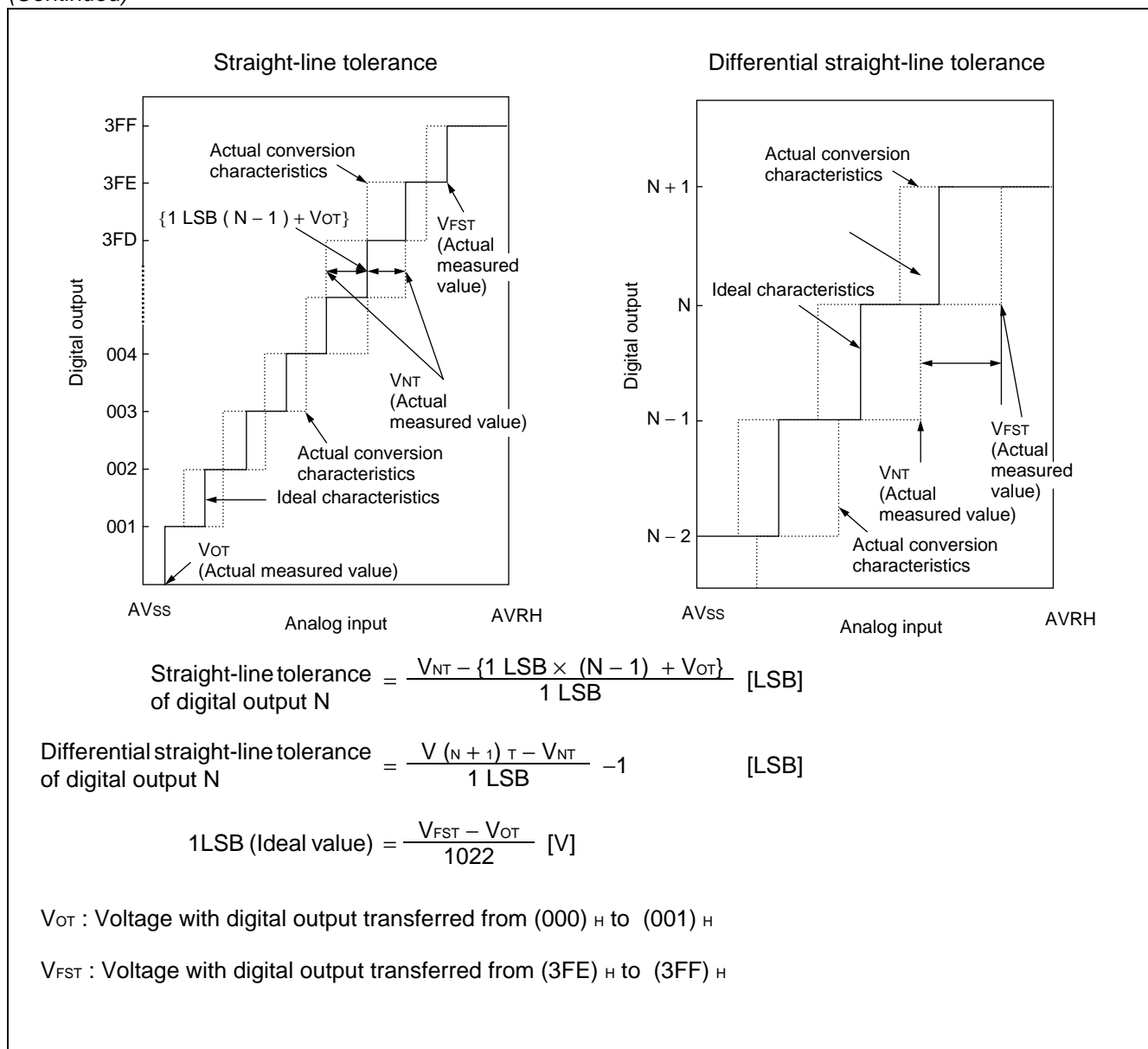
$$V_{FST} \text{ (Ideal value)} = AVRH - 1.5 \text{ LSB}' \text{ [V]}$$

$V_{NT}$  : Voltage of digital output transferred from (N + 1) to N

(Continued)

# MB91133/MB91F133

(Continued)



## 6. D/A Transition

(MASK Model  $V_{CC5} = AV_{CC} = DAVC = 5.0 \text{ V} \pm 10\%$ ,  $V_{CC3} = 2.7 \text{ V to } 3.6 \text{ V}$ ,  $V_{SS} = AV_{SS} = 0 \text{ V}$ ,  $T_A = -40 \text{ }^\circ\text{C to } +70 \text{ }^\circ\text{C}$ )  
 (FLASH Model  $V_{CC5} = AV_{CC} = DAVC = 5.0 \text{ V} \pm 10\%$ ,  $V_{CC3} = 3.0 \text{ V to } 3.6 \text{ V}$ ,  $V_{SS} = AV_{SS} = 0 \text{ V}$ ,  $T_A = -40 \text{ }^\circ\text{C to } +70 \text{ }^\circ\text{C}$ )

Parameter	Symbol	Pin name	Conditions	Value			Unit	Remarks
				Min.	Typ.	Max.		
Resolution	—	—	—	—	—	8	Bit	
Differential straight-line tolerance	—	—	—	—	—	±0.9	LSB	
Conversion time	—	—	—	—	10	20	μs	*
Analog output impedance	—	—	—	—	28	—	kΩ	

\*: CL = 20 PF



## ■ INSTRUCTIONS (165 INSTRUCTIONS)

### 1. How to Read Instruction Set Summary

Mnemonic	Type	OP	CYC	NZVC	Operation	Remarks
ADD Rj, Ri	A	A6	1	CCCC	$Ri + Rj \rightarrow Ri$	
* ADD #s5, Ri	C	A4	1	CCCC	$Ri + s5 \rightarrow Ri$	
,	,	,	,	,	,	
,	,	,	,	,	,	
↓	↓	↓	↓	↓	↓	
(1)	(2)	(3)	(4)	(5)	(6)	(7)

(1) Names of instructions

Instructions marked with \* are not included in CPU specifications. These are extended instruction codes added/extended at assembly language levels.

(2) Addressing modes specified as operands are listed in symbols.  
Refer to "2. Addressing mode symbols" for further information.

(3) Instruction types

(4) Hexa-decimal expressions of instructions

(5) The number of machine cycles needed for execution

a: Memory access cycle and it has possibility of delay by Ready function.

b: Memory access cycle and it has possibility of delay by Ready function.

If an object register in a LD operation is referenced by an immediately following instruction, the interlock function is activated and number of cycles needed for execution increases.

c: If an immediately following instruction operates to an object of R15, SSP or USP in read/write mode or if the instruction belongs to instruction format A group, the interlock function is activated and number of cycles needed for execution increases by 1 to make the total number of 2 cycles needed.

d: If an immediately following instruction refers to MDH/MDL, the interlock function is activated and number of cycles needed for execution increases by 1 to make the total number of 2 cycles needed.

For a, b, c and d, minimum execution cycle is 1.

(6) Change in flag sign

- Flag change

C : Change

– : No change

0 : Clear

1 : Set

- Flag meanings

N : Negative flag

Z : Zero flag

V : Over flag

C : Carry flag

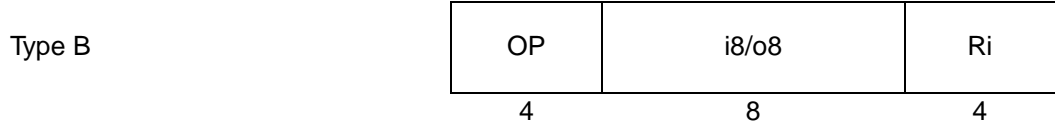
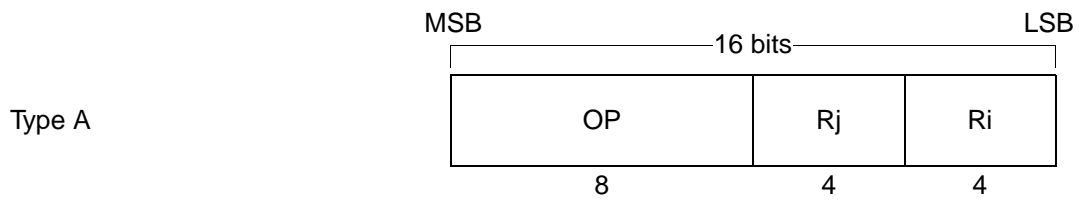
(7) Operation carried out by instruction

# MB91133/MB91F133

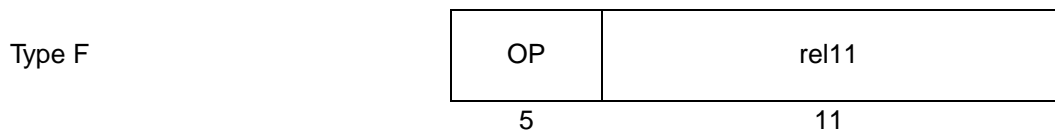
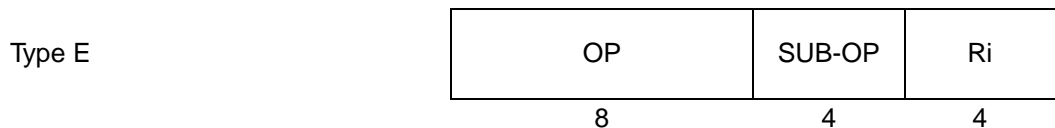
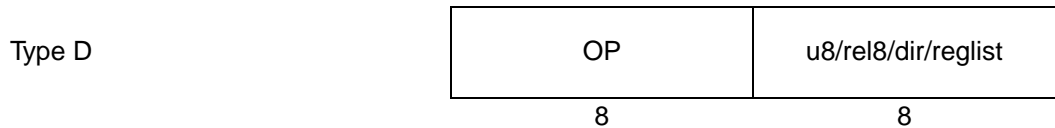
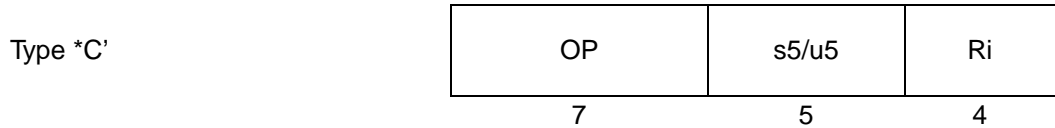
## 2. Addressing Mode Symbols

Ri	: Register direct (R0 to R15, AC, FP, SP)
Rj	: Register direct (R0 to R15, AC, FP, SP)
R13	: Register direct (R13, AC)
Ps	: Register direct (Program status register)
Rs	: Register direct (TBR, RP, SSP, USP, MDH, MDL)
CRi	: Register direct (CR0 to CR15)
CRj	: Register direct (CR0 to CR15)
#i8	: Unsigned 8-bit immediate (–128 to 255) Note: –128 to –1 are interpreted as 128 to 255
#i20	: Unsigned 20-bit immediate (–0X80000 to 0XFFFFFF) Note: –0X7FFFF to –1 are interpreted as 0X7FFFF to 0XFFFFFF
#i32	: Unsigned 32-bit immediate (–0X80000000 to 0xFFFFFFFF) Note: –0X80000000 to –1 are interpreted as 0X80000000 to 0xFFFFFFFF
#s5	: Signed 5-bit immediate (–16 to 15)
#s10	: Signed 10-bit immediate (–512 to 508, multiple of 4 only)
#u4	: Unsigned 4-bit immediate (0 to 15)
#u5	: Unsigned 5-bit immediate (0 to 31)
#u8	: Unsigned 8-bit immediate (0 to 255)
#u10	: Unsigned 10-bit immediate (0 to 1020, multiple of 4 only)
@dir8	: Unsigned 8-bit direct address (0 to 0XFF)
@dir9	: Unsigned 9-bit direct address (0 to 0X1FE, multiple of 2 only)
@dir10	: Unsigned 10-bit direct address (0 to 0X3FC, multiple of 4 only)
label9	: Signed 9-bit branch address (–0X100 to 0XFC, multiple of 2 only)
label12	: Signed 12-bit branch address (–0X800 to 0X7FC, multiple of 2 only)
label20	: Signed 20-bit branch address (–0X80000 to 0X7FFFF)
label32	: Signed 32-bit branch address (–0X80000000 to 0X7FFFFFFF)
@Ri	: Register indirect (R0 to R15, AC, FP, SP)
@Rj	: Register indirect (R0 to R15, AC, FP, SP)
@(R13, Rj)	: Register relative indirect (Rj: R0 to R15, AC, FP, SP)
@(R14, disp10)	: Register relative indirect (disp10: –0X200 to 0X1FC, multiple of 4 only)
@(R14, disp9)	: Register relative indirect (disp9: –0X100 to 0XFE, multiple of 2 only)
@(R14, disp8)	: Register relative indirect (disp8: –0X80 to 0X7F)
@(R15, udisp6)	: Register relative (udisp6: 0 to 60, multiple of 4 only)
@Ri+	: Register indirect with post-increment (R0 to R15, AC, FP, SP)
@R13+	: Register indirect with post-increment (R13, AC)
@SP+	: Stack pop
@–SP	: Stack push
(reglist)	: Register list

### 3. Instruction Types



ADD, ADDN, CMP, LSL, LSR and ASR instructions only



# MB91133/MB91F133

## 4. Detailed Description of Instructions

### • Add/subtract operation instructions (10 instructions)

Mnemonic	Type	OP	Cycle	N Z V C	Operation	Remarks
ADD Rj, Ri	A	A6	1	C C C C	$R_i + R_j \rightarrow R_i$	MSB is interpreted as a sign in assembly language
* ADD #s5, Ri	C'	A4	1	C C C C	$R_i + s5 \rightarrow R_i$	
ADD #i4, Ri	C	A4	1	C C C C	$R_i + \text{extu}(i4) \rightarrow R_i$	Zero-extension
ADD2 #i4, Ri	C	A5	1	C C C C	$R_i + \text{extu}(i4) \rightarrow R_i$	Sign-extension
ADDC Rj, Ri	A	A7	1	C C C C	$R_i + R_j + c \rightarrow R_i$	Add operation with sign
ADDN Rj, Ri	A	A2	1	- - - -	$R_i + R_j \rightarrow R_i$	MSB is interpreted as a sign in assembly language
* ADDN #s5, Ri	C'	A0	1	- - - -	$R_i + s5 \rightarrow R_i$	
ADDN #i4, Ri	C	A0	1	- - - -	$R_i + \text{extu}(i4) \rightarrow R_i$	Zero-extension
ADDN2 #i4, Ri	C	A1	1	- - - -	$R_i + \text{extu}(i4) \rightarrow R_i$	Sign-extension
SUB Rj, Ri	A	AC	1	C C C C	$R_i - R_j \rightarrow R_i$	
SUBC Rj, Ri	A	AD	1	C C C C	$R_i - R_j - c \rightarrow R_i$	Subtract operation with carry
SUBN Rj, Ri	A	AE	1	- - - -	$R_i - R_j \rightarrow R_i$	

### • Compare operation instructions (3 instructions)

Mnemonic	Type	OP	Cycle	N Z V C	Operation	Remarks
CMP Rj, Ri	A	AA	1	C C C C	$R_i - R_j$	MSB is interpreted as a sign in assembly language
* CMP #s5, Ri	C'	A8	1	C C C C	$R_i - s5$	
CMP #i4, Ri	C	A8	1	C C C C	$R_i + \text{extu}(i4)$	Zero-extension
CMP2 #i4, Ri	C	A9	1	C C C C	$R_i + \text{extu}(i4)$	Sign-extension

### • Logical operation instructions (12 instructions)

Mnemonic	Type	OP	Cycle	N Z V C	Operation	Remarks
AND Rj, Ri	A	82	1	C C - -	$R_i \& = R_j$	Word
AND Rj, @Ri	A	84	1 + 2a	C C - -	$(R_i) \& = R_j$	Word
ANDH Rj, @Ri	A	85	1 + 2a	C C - -	$(R_i) \& = R_j$	Half word
ANDB Rj, @Ri	A	86	1 + 2a	C C - -	$(R_i) \& = R_j$	Byte
OR Rj, Ri	A	92	1	C C - -	$R_i   = R_j$	Word
OR Rj, @Ri	A	94	1 + 2a	C C - -	$(R_i)   = R_j$	Word
ORH Rj, @Ri	A	95	1 + 2a	C C - -	$(R_i)   = R_j$	Half word
ORB Rj, @Ri	A	96	1 + 2a	C C - -	$(R_i)   = R_j$	Byte
EOR Rj, Ri	A	9A	1	C C - -	$R_i \wedge = R_j$	Word
EOR Rj, @Ri	A	9C	1 + 2a	C C - -	$(R_i) \wedge = R_j$	Word
EORH Rj, @Ri	A	9D	1 + 2a	C C - -	$(R_i) \wedge = R_j$	Half word
EORB Rj, @Ri	A	9E	1 + 2a	C C - -	$(R_i) \wedge = R_j$	Byte

# MB91133/MB91F133

## • Bit manipulation arithmetic instructions (8 instructions)

Mnemonic	Type	OP	Cycle	N Z V C	Operation	Remarks
BANDL #u4, @Ri (u4: 0 to 0FH)	C	80	1 + 2a	--- --	(Ri) & = (F0H + u4)	Manipulate lower 4 bits
BANDH #u4, @Ri (u4: 0 to 0FH)	C	81	1 + 2a	--- --	(Ri) & = ((u4<<4) + 0FH)	Manipulate upper 4 bits
* BAND #u8, @Ri	*1		-	--- --	(Ri) & = u8	
BORL #u4, @Ri (u4: 0 to 0FH)	C	90	1 + 2a	--- --	(Ri)   = u4	Manipulate lower 4 bits
BORH #u4, @Ri (u4: 0 to 0FH)	C	91	1 + 2a	--- --	(Ri)   = (u4<<4)	Manipulate upper 4 bits
* BOR #u8, @Ri	*2		-	--- --	(Ri)   = u8	
BEORL #u4, @Ri (u4: 0 to 0FH)	C	98	1 + 2a	--- --	(Ri) ^ = u4	Manipulate lower 4 bits
BEORH #u4, @Ri (u4: 0 to 0FH)	C	99	1 + 2a	--- --	(Ri) ^ = (u4<<4)	Manipulate upper 4 bits
* BEOR #u8, @Ri	*3		-	--- --	(Ri) ^ = u8	
BTSTL #u4, @Ri (u4: 0 to 0FH)	C	88	2 + a	0 C --	(Ri) & u4	Test lower 4 bits
BTSTH #u4, @Ri (u4: 0 to 0FH)	C	89	2 + a	C C --	(Ri) & (u4<<4)	Test upper 4 bits

\*1: Assembler generates BANDL if result of logical operation "u8&0x0F" leaves an active (set) bit and generates BANDH if "u8&0xF0" leaves an active bit. Depending on the value in the "u8" format, both BANDL and BANDH may be generated.

\*2: Assembler generates BORL if result of logical operation "u8&0x0F" leaves an active (set) bit and generates BORH if "u8&0xF0" leaves an active bit.

\*3: Assembler generates BEORL if result of logical operation "u8&0x0F" leaves an active (set) bit and generates BEORH if "u8&0xF0" leaves an active bit.

## • Add/subtract operation instructions (10 instructions)

Mnemonic	Type	OP	Cycle	N Z V C	Operation	Remarks
MUL Rj, Ri	A	AF	5	C C C -	$Rj \times Ri \rightarrow MDH, MDL$	32-bit $\times$ 32-bit = 64-bit
MULU Rj, Ri	A	AB	5	C C C -	$Rj \times Ri \rightarrow MDH, MDL$	Unsigned
MULH Rj, Ri	A	BF	3	C C --	$Rj \times Ri \rightarrow MDL$	16-bit $\times$ 16-bit = 32-bit
MULUH Rj, Ri	A	BB	3	C C --	$Rj \times Ri \rightarrow MDL$	Unsigned
DIVOS Ri	E	97 - 4	1	--- --		Step calculation
DIVOU Ri	E	97 - 5	1	--- --		32-bit/32-bit = 32-bit
DIV1 Ri	E	97 - 6	d	- C - C		
DIV2 Ri	E	97 - 7	1	- C - C		
DIV3 Ri	E	9F - 6	1	--- --		
DIV4S Ri	E	9F - 7	1	--- --		
* DIV Ri	*1		-	- C - C	$MDL/Ri \rightarrow MDL,$ $MDL\%Ri \rightarrow MDH$	
* DIVU Ri	*2		-	- C - C	$MDL/Ri \rightarrow MDL,$ $MDL\%Ri \rightarrow MDH$	Unsigned

\*1: DIVOS, DIV1  $\times$  32, DIV2, DIV3 and DIV4S are generated. A total instruction code length of 72 bytes.

\*2: DIVOU and DIV1  $\times$  32 are generated. A total instruction code length of 66 bytes.

# MB91133/MB91F133

## • Shift arithmetic instructions (9 instructions)

Mnemonic	Type	OP	Cycle	N Z V C	Operation	Remarks
LSL Rj, Ri	A	B6	1	C C - C	$Ri \ll Rj \rightarrow Ri$	Logical shift
* LSL #u5, Ri	C'	B4	1	C C - C	$Ri \ll u5 \rightarrow Ri$	
LSL #u4, Ri	C	B4	1	C C - C	$Ri \ll u4 \rightarrow Ri$	
LSL2 #u4, Ri	C	B5	1	C C - C	$Ri \ll (u4 + 16) \rightarrow Ri$	
LSR Rj, Ri	A	B2	1	C C - C	$Ri \gg Rj \rightarrow Ri$	Logical shift
* LSR #u5, Ri	C'	B0	1	C C - C	$Ri \gg u5 \rightarrow Ri$	
LSR #u4, Ri	C	B0	1	C C - C	$Ri \gg u4 \rightarrow Ri$	
LSR2 #u4, Ri	C	B1	1	C C - C	$Ri \gg (u4 + 16) \rightarrow Ri$	
ASR Rj, Ri	A	BA	1	C C - C	$Ri \gg Rj \rightarrow Ri$	Logical shift
* ASR #u5, Ri	C'	B8	1	C C - C	$Ri \gg u5 \rightarrow Ri$	
ASR #u4, Ri	C	B8	1	C C - C	$Ri \gg u4 \rightarrow Ri$	
ASR2 #u4, Ri	C	B9	1	C C - C	$Ri \gg (u4 + 16) \rightarrow Ri$	

## • Immediate value data transfer instruction (immediate value set/16-bit/32-bit immediate value transfer instruction) (3 instructions)

Mnemonic	Type	OP	Cycle	N Z V C	Operation	Remarks
LDI: 32 #i32, Ri	E	9F - 8	3	- - - -	$i32 \rightarrow Ri$	Upper 12 bits are zero-extended Upper 24 bits are zero-extended
LDI: 20 #i20, Ri	C	9B	2	- - - -	$i20 \rightarrow Ri$	
LDI: 8 #i8, Ri	B	C0	1	- - - -	$i8 \rightarrow Ri$	
* LDI # {i8   i20   i32}, Ri					{i8   i20   i32} $\rightarrow Ri$	

\*1: If an immediate value is given in absolute, assembler automatically makes i8, i20 or i32 selection.  
If an immediate value contains relative value or external reference, assembler selects i32.

## • Memory load instructions (13 instructions)

Mnemonic	Type	OP	Cycle	N Z V C	Operation	Remarks
LD @Rj, Ri	A	04	b	- - - -	$(Rj) \rightarrow Ri$	Rs: Special-purpose register
LD @(R13, Rj), Ri	A	00	b	- - - -	$(R13 + Rj) \rightarrow Ri$	
LD @(R14, disp10), Ri	B	20	b	- - - -	$(R14 + disp10) \rightarrow Ri$	
LD @(R15, udisp6), Ri	C	03	b	- - - -	$(R15 + udisp6) \rightarrow Ri$	
LD @R15 +, Ri	E	07 - 0	b	- - - -	$(R15) \rightarrow Ri, R15 + = 4$	
LD @R15 +, Rs	E	07 - 8	b	- - - -	$(R15) \rightarrow Rs, R15 + = 4$	
LD @R15 +, PS	E	07 - 9	1 + a + b	C C C C	$(R15) \rightarrow PS, R15 + = 4$	
LDUH @Rj, Ri	A	05	b	- - - -	$(Rj) \rightarrow Ri$	Zero-extension
LDUH @(R13, Rj), Ri	A	01	b	- - - -	$(R13 + Rj) \rightarrow Ri$	Zero-extension
LDUH @(R14, disp9), Ri	B	40	b	- - - -	$(R14 + disp9) \rightarrow Ri$	Zero-extension
LDUB @Rj, Ri	A	06	b	- - - -	$(Rj) \rightarrow Ri$	Zero-extension
LDUB @(R13, Rj), Ri	A	02	b	- - - -	$(R13 + Rj) \rightarrow Ri$	Zero-extension
LDUB @(R14, disp8), Ri	B	60	b	- - - -	$(R14 + disp8) \rightarrow Ri$	Zero-extension

Note: The relations between o8 field of TYPE-B and u4 field of TYPE-C in the instruction format and assembler description from disp8 to disp10 are as follows:

- disp8  $\rightarrow$  o8 = disp8: Each disp is a code extension.
- disp9  $\rightarrow$  o8 = disp9 >> 1: Each disp is a code extension.
- disp10  $\rightarrow$  o8 = disp10 >> 2: Each disp is a code extension.
- udisp6  $\rightarrow$  u4 = udisp6 >> 2: udisp4 is a 0 extension.

• Memory store instructions (13 instructions)

Mnemonic		Type	OP	Cycle	N Z V C	Operation	Remarks
ST	Ri, @Rj	A	14	a	----	Ri → (Rj)	Word
ST	Ri, @(R13, Rj)	A	10	a	----	Ri → (R13 + Rj)	Word
ST	Ri, @(R14, disp10)	B	30	a	----	Ri → (R14 + disp10)	Word
ST	Ri, @(R15, udisp6)	C	13	a	----	Ri → (R15 + usidp6)	
ST	Ri, @-R15	E	17-0	a	----	R15 -- = 4, Ri → (R15)	
ST	Rs, @-R15	E	17-8	a	----	R15 -- = 4, Rs → (R15)	Rs: Special-purpose register
ST	PS, @-R15	E	17-9	a	----	R15 -- = 4, PS → (R15)	
STH	Ri, @Rj	A	15	a	----	Ri → (Rj)	Half word
STH	Ri, @(R13, Rj)	A	11	a	----	Ri → (R13 + Rj)	Half word
STH	Ri, @(R14, disp9)	B	50	a	----	Ri → (R14 + disp9)	Half word
STB	Ri, @Rj	A	16	a	----	Ri → (Rj)	Byte
STB	Ri, @(R13, Rj)	A	12	a	----	Ri → (R13 + Rj)	Byte
STB	Ri, @(R14, disp8)	B	70	a	----	Ri → (R14 + disp8)	Byte

Note: The relations between o8 field of TYPE-B and u4 field of TYPE-C in the instruction format and assembler description from disp8 to disp10 are as follows:

disp8 → o8 = disp8: Each disp is a code extension.

disp9 → o8 = disp9>>1: Each disp is a code extension.

disp10 → o8 = disp10>>2: Each disp is a code extension.

udisp6 → u4 = udisp6>>2: udisp4 is a 0 extension.

• Transfer instructions between registers/special-purpose registers transfer instructions (5 instructions)

Mnemonic		Type	OP	Cycle	N Z V C	Operation	Remarks
MOV	Rj, Ri	A	8B	1	----	Rj → Ri	Transfer between general-purpose registers
MOV	Rs, Ri	A	B7	1	----	Rs → Ri	Rs: Special-purpose register
MOV	Ri, Rs	A	B3	1	----	Ri → Rs	Rs: Special-purpose register
MOV	PS, Ri	E	17-1	1	----	PS → Ri	
MOV	Ri, PS	E	07-1	c	CCCC	Ri → PS	

# MB91133/MB91F133

## • Non-delay normal branch instructions (23 instructions)

Mnemonic	Type	OP	Cycle	N Z V C	Operation	Remarks
JMP @Ri	E	97 - 0	2	- - - -	Ri → PC	
CALL label12	F	D0	2	- - - -	PC + 2 → RP, PC + 2 + rel11 × 2 → PC	
CALL @Ri	E	97 - 1	2	- - - -	PC + 2 → RP, Ri → PC	
RET	E	97 - 2	2	- - - -	RP → PC	Return
INT #u8	D	1F	3+3a	- - - -	SSP - = 4, PS → (SSP), SSP - = 4, PC + 2 → (SSP), 0 → I flag, 0 → S flag, (TBR + 3FC - u8 × 4) → PC	
INTE	E	9F - 3	3 + 3a	- - - -	SSP - = 4, PS → (SSP), SSP - = 4, PC + 2 → (SSP), 0 → S flag, (TBR + 3D8 - u8 × 4) → PC	For emulator
RETI	E	97 - 3	2 + 2a	C C C C	(R15) → PC, R15 - = 4, (R15) → PS, R15 - = 4	
BNO label9	D	E1	1	- - - -	Non-branch	
BRA label9	D	E0	2	- - - -	PC + 2 + rel8 × 2 → PC	
BEQ label9	D	E2	2/1	- - - -	PCif Z = = 1	
BNE label9	D	E3	2/1	- - - -	PCif Z = = 0	
BC label9	D	E4	2/1	- - - -	PCif C = = 1	
BNC label9	D	E5	2/1	- - - -	PCif C = = 0	
BN label9	D	E6	2/1	- - - -	PCif N = = 1	
BP label9	D	E7	2/1	- - - -	PCif N = = 0	
BV label9	D	E8	2/1	- - - -	PCif V = = 1	
BNV label9	D	E9	2/1	- - - -	PCif V = = 0	
BLT label9	D	EA	2/1	- - - -	PCif V xor N = = 1	
BGE label9	D	EB	2/1	- - - -	PCif V xor N = = 0	
BLE label9	D	EC	2/1	- - - -	PCif (V xor N) or Z = = 1	
BGT label9	D	ED	2/1	- - - -	PCif (V xor N) or Z = = 0	
BLS label9	D	EE	2/1	- - - -	PCif C or Z = = 1	
BHI label9	D	EF	2/1	- - - -	PCif C or Z = = 0	

- Notes:
- "2/1" in cycle sections indicates that 2 cycles are needed for branch and 1 cycle needed for non-branch.
  - The relations between rel8 field of TYPE-D and rel11 field of TYPE-F in the instruction format and assembler discription label9 and label12 are as follows.  
 $label9 \rightarrow rel8 = (label9 - PC - 2)/2$   
 $label12 \rightarrow rel11 = (label12 - PC - 2)/2$
  - RETI must be operated while S flag = 0.



# MB91133/MB91F133

## • Branch instructions with delays (20 instructions)

Mnemonic	Type	OP	Cycle	N	Z	V	C	Operation	Remarks
JMP:D @Ri	E	9F - 0	1	-	-	-	-	Ri → PC	
CALL:D label12	F	D8	1	-	-	-	-	PC + 4 → RP, PC + 2 + rel11 × 2 → PC	
CALL:D @Ri	E	9F - 1	1	-	-	-	-	PC + 4 → RP, Ri → PC	
RET:D	E	9F - 2	1	-	-	-	-	RP → PC	Return
BNO:D label9	D	F1	1	-	-	-	-	Non-branch	
BRA:D label9	D	F0	1	-	-	-	-	PC + 2 + rel8 × 2 → PC	
BEQ:D label9	D	F2	1	-	-	-	-	PCif Z == 1	
BNE:D label9	D	F3	1	-	-	-	-	PCif Z == 0	
BC:D label9	D	F4	1	-	-	-	-	PCif C == 1	
BNC:D label9	D	F5	1	-	-	-	-	PCif C == 0	
BN:D label9	D	F6	1	-	-	-	-	PCif N == 1	
BP:D label9	D	F7	1	-	-	-	-	PCif N == 0	
BV:D label9	D	F8	1	-	-	-	-	PCif V == 1	
BNV:D label9	D	F9	1	-	-	-	-	PCif V == 0	
BLT:D label9	D	FA	1	-	-	-	-	PCif V xor N == 1	
BGE:D label9	D	FB	1	-	-	-	-	PCif V xor N == 0	
BLE:D label9	D	FC	1	-	-	-	-	PCif (V xor N) or Z == 1	
BGT:D label9	D	FD	1	-	-	-	-	PCif (V xor N) or Z == 0	
BLS:D label9	D	FE	1	-	-	-	-	PCif C or Z == 1	
BHI:D label9	D	FF	1	-	-	-	-	PCif C or Z == 0	

Notes: • The relations between rel8 field of TYPE-D and rel11 field of TYPE-F in the instruction format and assembler discription label9 and label12 are as follows.

$$\text{label9} \rightarrow \text{rel8} = (\text{label9} - \text{PC} - 2)/2$$

$$\text{label12} \rightarrow \text{rel11} = (\text{label12} - \text{PC} - 2)/2$$

- Delayed branch operation always executes next instruction (delay slot) before making a branch.
- Instructions allowed to be stored in the delay slot must meet one of the following conditions. If the other instruction is stored, this device may operate other operation than defined.
  - The instruction described "1" in the other cycle column than branch instruction.
  - The instruction described "a", "b", "c" or "d" in the cycle column.

# MB91133/MB91F133

## • Direct addressing instructions

Mnemonic	Type	OP	Cycle	N Z V C	Operation	Remarks
DMOV @dir10, R13	D	08	b	----	(dir10) → R13	Word
DMOV R13, @dir10	D	18	a	----	R13 → (dir10)	Word
DMOV @dir10, @R13+	D	0C	2a	----	(dir10) → (R13), R13 += 4	Word
DMOV @R13+, @dir10	D	1C	2a	----	(R13) → (dir10), R13 += 4	Word
DMOV @dir10, @-R15	D	0B	2a	----	R15 -= 4, (dir10) → (R15)	Word
DMOV @R15+, @dir10	D	1B	2a	----	(R15) → (dir10), R15 += 4	Word
DMOVH @dir9, R13	D	09	b	----	(dir9) → R13	Half word
DMOVH R13, @dir9	D	19	a	----	R13 → (dir9)	Half word
DMOVH @dir9, @R13+	D	0D	2a	----	(dir9) → (R13), R13 += 2	Half word
DMOVH @R13+, @dir9	D	1D	2a	----	(R13) → (dir9), R13 += 2	Half word
DMOVB @dir8, R13	D	0A	b	----	(dir8) → R13	Byte
DMOVB R13, @dir8	D	1A	a	----	R13 → (dir8)	Byte
DMOVB @dir8, @R13+	D	0E	2a	----	(dir8) → (R13), R13 ++	Byte
DMOVB @R13+, @dir8	D	1E	2a	----	(R13) → (dir8), R13 ++	Byte

Note: The relations between the dir field of TYPE-D in the instruction format and the assembler description from disp8 to disp10 are as follows:  
 disp8 → dir + disp8: Each disp is a code extension  
 disp9 → dir = disp9>>1: Each disp is a code extension  
 disp10 → dir = disp10>>2: Each disp is a code extension

## • Resource instructions (2 instructions)

Mnemonic	Type	OP	Cycle	N Z V C	Operation	Remarks
LDRES @Ri+, #u4	C	BC	a	----	(Ri) → u4 resource Ri += 4	u4: Channel number
STRES #u4, @Ri+	C	BD	a	----	u4 resource → (Ri) Ri += 4	u4: Channel number

## • Co-processor instructions (4 instructions)

Mnemonic	Type	OP	Cycle	N Z V C	Operation	Remarks
COPOP #u4, #CC, CRj, CRi	E	9F-C	2 + a	----	Calculation	
COPLD #u4, #CC, Rj, CRi	E	9F-D	1 + 2a	----	Rj → CRi	
COPST #u4, #CC, CRj, Ri	E	9F-E	1 + 2a	----	CRj → Ri	
COPSV #u4, #CC, CRj, Ri	E	9F-F	1 + 2a	----	CRj → Ri	No error traps

## • Other instructions (16 instructions)

Mnemonic	Type	OP	Cycle	N Z V C	Operation	Remarks	
NOP	E	9F – A	1	– – – –	No changes		
ANDCCR #u8	D	83	c	C C C C	CCR and u8 → CCR		
ORCCR #u8	D	93	c	C C C C	CCR or u8 → CCR		
STILM #u8	D	87	1	– – – –	i8 → ILM	Set ILM immediate value	
ADDSP #s10	*1	D	A3	1	– – – –	R15 += s10	ADD SP instruction
EXTSB Ri	E	97 – 8	1	– – – –	Sign extension 8 → 32 bits		
EXTUB Ri	E	97 – 9	1	– – – –	Zero extension 8 → 32 bits		
EXTSH Ri	E	97 – A	1	– – – –	Sign extension 16 → 32 bits		
EXTUH Ri	E	97 – B	1	– – – –	Zero extension 16 → 32 bits		
LDM0 (reglist)	D	8C	*4	– – – –	(R15) → reglist, R15 increment	Load-multi R0 to R7	
LDM1 (reglist)	D	8D	*4	– – – –	(R15) → reglist, R15 increment	Load-multi R8 to R15	
* LDM (reglist)	*3		–	– – – –	(R15 + +) → reglist,	Load-multi R0 to R15	
STM0 (reglist)	D	8E	*6	– – – –	R15 decrement, reglist → (R15)	Store-multi R0 to R7	
STM1 (reglist)	D	8F	*6	– – – –	R15 decrement, reglist → (R15)	Store-multi R8 to R15	
* STM2 (reglist)	*5		–	– – – –	reglist → (R15 + +)	Store-multi R0 to R15	
ENTER #u10	*2	D	0F	1+a	– – – –	R14 → (R15 – 4), R15 – 4 → R14, R15 – u10 → R15	Entrance processing of function
LEAVE	E	9F – 9	b	– – – –	R14 + 4 → R15, (R15 – 4) → R14	Exit processing of function	
XCHB @Rj, Ri	A	8A	2a	– – – –	Ri → TEMP, (Rj) → Ri, TEMP → (Rj)	For SEMAFO management Byte data	

\*1: In the ADDSP instruction, the reference between u8 of TYPE-D in the instruction format and assembler description s10 is as follows.

$$s10 \rightarrow s8 = s10 \gg 2$$

\*2: In the ENTER instruction, the reference between i8 of TYPE-C in the instruction format and assembler description u10 is as follows.

$$u10 \rightarrow u8 = u10 \gg 2$$

\*3: If either of R0 to R7 is specified in reglist, assembler generates LDM0. If either of R8 to R15 is specified, assembler generates LDM1. Both LDM0 and LDM1 may be generated.

\*4: The number of cycles needed for execution of LDM0 (reglist) and LDM1 (reglist) is given by the following calculation;  $a \times (n - 1) + b + 1$  when "n" is number of registers specified.

\*5: If either of R0 to R7 is specified in reglist, assembler generates STM0. If either of R8 to R15 is specified, assembler generates STM1. Both STM0 and STM1 may be generated.

\*6: The number of cycles needed for execution of STM0 (reglist) and STM1 (reglist) is given by the following calculation;  $a \times n + 1$  when "n" is number of registers specified.

# MB91133/MB91F133

## • 20-bit normal branch macro instructions

Mnemonic	Operation	Remarks
* CALL20 label20, Ri	Next instruction address → RP, label20 → PC	Ri: Temporary register *1
* BRA20 label20, Ri	label20 → PC	Ri: Temporary register *2
* BEQ20 label20, Ri	if (Z == 1) then label20 → PC	Ri: Temporary register *3
* BNE20 label20, Ri	ifs/Z == 0	Ri: Temporary register *3
* BC20 label20, Ri	ifs/C == 1	Ri: Temporary register *3
* BNC20 label20, Ri	ifs/C == 0	Ri: Temporary register *3
* BN20 label20, Ri	ifs/N == 1	Ri: Temporary register *3
* BP20 label20, Ri	ifs/N == 0	Ri: Temporary register *3
* BV20 label20, Ri	ifs/V == 1	Ri: Temporary register *3
* BNV20 label20, Ri	ifs/V == 0	Ri: Temporary register *3
* BLT20 label20, Ri	ifs/V xor N == 1	Ri: Temporary register *3
* BGE20 label20, Ri	ifs/V xor N == 0	Ri: Temporary register *3
* BLE20 label20, Ri	ifs/(V xor N) or Z == 1	Ri: Temporary register *3
* BGT20 label20, Ri	ifs/(V xor N) or Z == 0	Ri: Temporary register *3
* BLS20 label20, Ri	ifs/C or Z == 1	Ri: Temporary register *3
* BHI20 label20, Ri	ifs/C or Z == 0	Ri: Temporary register *3

### \*1: CALL20

- (1) If label20 – PC – 2 is between –0x800 and +0x7fe, instruction is generated as follows;

```
CALL label12
```

- (2) If label20 – PC – 2 is outside of the range given in (1) or includes external reference symbol, instruction is generated as follows;

```
LDI:20 #label20, Ri
CALL @Ri
```

### \*2: BRA20

- (1) If label20 – PC – 2 is between –0x100 and +0xfe, instruction is generated as follows;

```
BRA label9
```

- (2) If label20 – PC – 2 is outside of the range given in (1) or includes external reference symbol, instruction is generated as follows;

```
LDI:20 #label20, Ri
JMP @Ri
```

### \*3: Bcc20 (BEQ20 to BHI20)

- (1) If label20 – PC – 2 is between –0x100 and +0xfe, instruction is generated as follows;

```
Bcc label9
```

- (2) If label20 – PC – 2 is outside of the range given in (1) or includes external reference symbol, instruction is generated as follows;

```
Bxcc false xcc is a revolt condition of cc
LDI:20 #label20, Ri
JMP @Ri
```

false:

• 20-bit delayed branch macro instructions

Mnemonic	Operation	Remarks
* CALL20:D label20, Ri	Next instruction address + 2 → RP, label20 → PC	Ri: Temporary register *1
* BRA20:D label20, Ri	label20 → PC	Ri: Temporary register *2
* BEQ20:D label20, Ri	if (Z == 1) then label20 → PC	Ri: Temporary register *3
* BNE20:D label20, Ri	ifs/Z == 0	Ri: Temporary register *3
* BC20:D label20, Ri	ifs/C == 1	Ri: Temporary register *3
* BNC20:D label20, Ri	ifs/C == 0	Ri: Temporary register *3
* BN20:D label20, Ri	ifs/N == 1	Ri: Temporary register *3
* BP20:D label20, Ri	ifs/N == 0	Ri: Temporary register *3
* BV20:D label20, Ri	ifs/V == 1	Ri: Temporary register *3
* BNV20:D label20, Ri	ifs/V == 0	Ri: Temporary register *3
* BLT20:D label20, Ri	ifs/V xor N == 1	Ri: Temporary register *3
* BGE20:D label20, Ri	ifs/V xor N == 0	Ri: Temporary register *3
* BLE20:D label20, Ri	ifs/(V xor N) or Z == 1	Ri: Temporary register *3
* BGT20:D label20, Ri	ifs/(V xor N) or Z == 0	Ri: Temporary register *3
* BLS20:D label20, Ri	ifs/C or Z == 1	Ri: Temporary register *3
* BHI20:D label20, Ri	ifs/C or Z == 0	Ri: Temporary register *3

\*1: CALL20:D

- (1) If label20 – PC – 2 is between –0x800 and +0x7fe, instruction is generated as follows;

CALL:D label12

- (2) If label20 – PC – 2 is outside of the range given in (1) or includes external reference symbol, instruction is generated as follows;

LDI:20 #label20, Ri

CALL:D @Ri

\*2: BRA20:D

- (1) If label20 – PC – 2 is between –0x100 and +0xfe, instruction is generated as follows;

BRA:D label9

- (2) If label20 – PC – 2 is outside of the range given in (1) or includes external reference symbol, instruction is generated as follows;

LDI:20 #label20, Ri

JMP:D @Ri

\*3: Bcc20:D (BEQ20:D to BHI20:D)

- (1) If label20 – PC – 2 is between –0x100 and +0xfe, instruction is generated as follows;

Bcc:D label9

- (2) If label20 – PC – 2 is outside of the range given in (1) or includes external reference symbol, instruction is generated as follows;

Bxcc false xcc is a revolt condition of cc

LDI:20 #label20, Ri

JMP:D @Ri

false:

# MB91133/MB91F133

## • 32-bit normal macro branch instructions

Mnemonic	Operation	Remarks
* CALL32 label32, Ri	Next instruction address → RP, label32 → PC	Ri: Temporary register *1
* BRA32 label32, Ri	label32 → PC	Ri: Temporary register *2
* BEQ32 label32, Ri	if (Z == 1) then label32 → PC	Ri: Temporary register *3
* BNE32 label32, Ri	ifs/Z == 0	Ri: Temporary register *3
* BC32 label32, Ri	ifs/C == 1	Ri: Temporary register *3
* BNC32 label32, Ri	ifs/C == 0	Ri: Temporary register *3
* BN32 label32, Ri	ifs/N == 1	Ri: Temporary register *3
* BP32 label32, Ri	ifs/N == 0	Ri: Temporary register *3
* BV32 label32, Ri	ifs/V == 1	Ri: Temporary register *3
* BNV32 label32, Ri	ifs/V == 0	Ri: Temporary register *3
* BLT32 label32, Ri	ifs/V xor N == 1	Ri: Temporary register *3
* BGE32 label32, Ri	ifs/V xor N == 0	Ri: Temporary register *3
* BLE32 label32, Ri	ifs/(V xor N) or Z == 1	Ri: Temporary register *3
* BGT32 label32, Ri	ifs/(V xor N) or Z == 0	Ri: Temporary register *3
* BLS32 label32, Ri	ifs/C or Z == 1	Ri: Temporary register *3
* BHI32 label32, Ri	ifs/C or Z == 0	Ri: Temporary register *3

### \*1: CALL32

- (1) If label32 – PC – 2 is between –0x800 and +0x7fe, instruction is generated as follows;

```
CALL label12
```

- (2) If label32 – PC – 2 is outside of the range given in (1) or includes external reference symbol, instruction is generated as follows;

```
LDI:32 #label32, Ri
CALL @Ri
```

### \*2: BRA32

- (1) If label32 – PC – 2 is between –0x100 and +0xfe, instruction is generated as follows;

```
BRA label9
```

- (2) If label32 – PC – 2 is outside of the range given in (1) or includes external reference symbol, instruction is generated as follows;

```
LDI:32 #label32, Ri
JMP @Ri
```

### \*3: Bcc32 (BEQ32 to BHI32)

- (1) If label32 – PC – 2 is between –0x100 and +0xfe, instruction is generated as follows;

```
Bcc label9
```

- (2) If label32 – PC – 2 is outside of the range given in (1) or includes external reference symbol, instruction is generated as follows;

```
Bxcc false xcc is a revolt condition of cc
LDI:32 #label32, Ri
JMP @Ri
```

false:

• 32-bit delayed macro branch instructions

Mnemonic	Operation	Remarks
* CALL32:D label32, Ri	Next instruction address + 2 → RP, label32 → PC	Ri: Temporary register *1
* BRA32:D label32, Ri	label32 → PC	Ri: Temporary register *2
* BEQ32:D label32, Ri	if (Z == 1) then label32 → PC	Ri: Temporary register *3
* BNE32:D label32, Ri	ifs/Z == 0	Ri: Temporary register *3
* BC32:D label32, Ri	ifs/C == 1	Ri: Temporary register *3
* BNC32:D label32, Ri	ifs/C == 0	Ri: Temporary register *3
* BN32:D label32, Ri	ifs/N == 1	Ri: Temporary register *3
* BP32:D label32, Ri	ifs/N == 0	Ri: Temporary register *3
* BV32:D label32, Ri	ifs/V == 1	Ri: Temporary register *3
* BNV32:D label32, Ri	ifs/V == 0	Ri: Temporary register *3
* BLT32:D label32, Ri	ifs/V xor N == 1	Ri: Temporary register *3
* BGE32:D label32, Ri	ifs/V xor N == 0	Ri: Temporary register *3
* BLE32:D label32, Ri	ifs/(V xor N) or Z == 1	Ri: Temporary register *3
* BGT32:D label32, Ri	ifs/(V xor N) or Z == 0	Ri: Temporary register *3
* BLS32:D label32, Ri	ifs/C or Z == 1	Ri: Temporary register *3
* BHI32:D label32, Ri	ifs/C or Z == 0	Ri: Temporary register *3

\*1: CALL32:D

- (1) If label32 – PC – 2 is between –0x800 and +0x7fe, instruction is generated as follows;

```
CALL:D label12
```

- (2) If label32 – PC – 2 is outside of the range given in (1) or includes external reference symbol, instruction is generated as follows;

```
LDI:32 #label32, Ri
```

```
CALL:D @Ri
```

\*2: BRA32:D

- (1) If label32 – PC – 2 is between –0x100 and +0xfe, instruction is generated as follows;

```
BRA:D label9
```

- (2) If label32 – PC – 2 is outside of the range given in (1) or includes external reference symbol, instruction is generated as follows;

```
LDI:32 #label32, Ri
```

```
JMP:D @Ri
```

\*3: Bcc32:D (BEQ32:D to BHI32:D)

- (1) If label32 – PC – 2 is between –0x100 and +0xfe, instruction is generated as follows;

```
Bcc:D label9
```

- (2) If label32 – PC – 2 is outside of the range given in (1) or includes external reference symbol, instruction is generated as follows;

```
Bxcc false xcc is a revolt condition of cc
```

```
LDI:32 #label32, Ri
```

```
JMP:D @Ri
```

false:

# MB91133/MB91F133

## ■ ORDERING INFORMATION

Part number	Package	Remarks
MB91133PMT2-XXX	144-pin plastic LQFP (FPT-144P-M08)	
MB91133PBT-XXX	144-pin plastic FBGA (BGA-144P-M01)	
MB91F133PMT2	144-pin plastic LQFP (FPT-144P-M08)	
MB91F133PBT	144-pin plastic FBGA (BGA-144P-M01)	
MB91FV130CR-ES	299-pin ceramic PGA (PGA-299)	

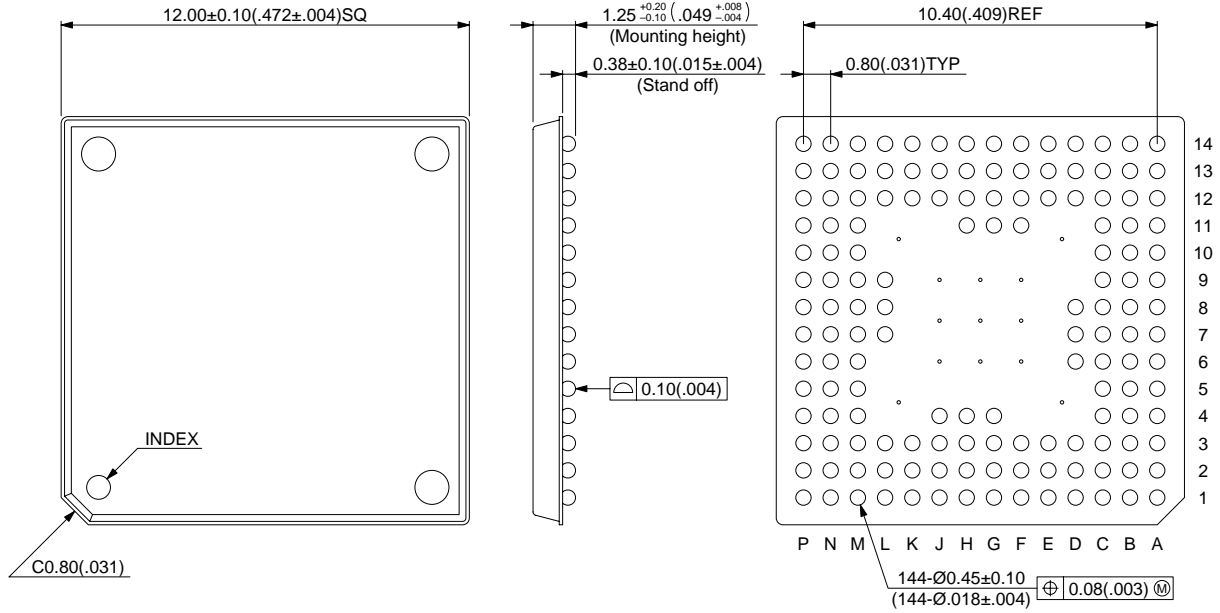


# MB91133/MB91F133

## ■ PACKAGE DIMENSIONS

144-pin plastic FBGA  
(BGA-144P-M01)

Note) Corner shape may differ from the diagram.

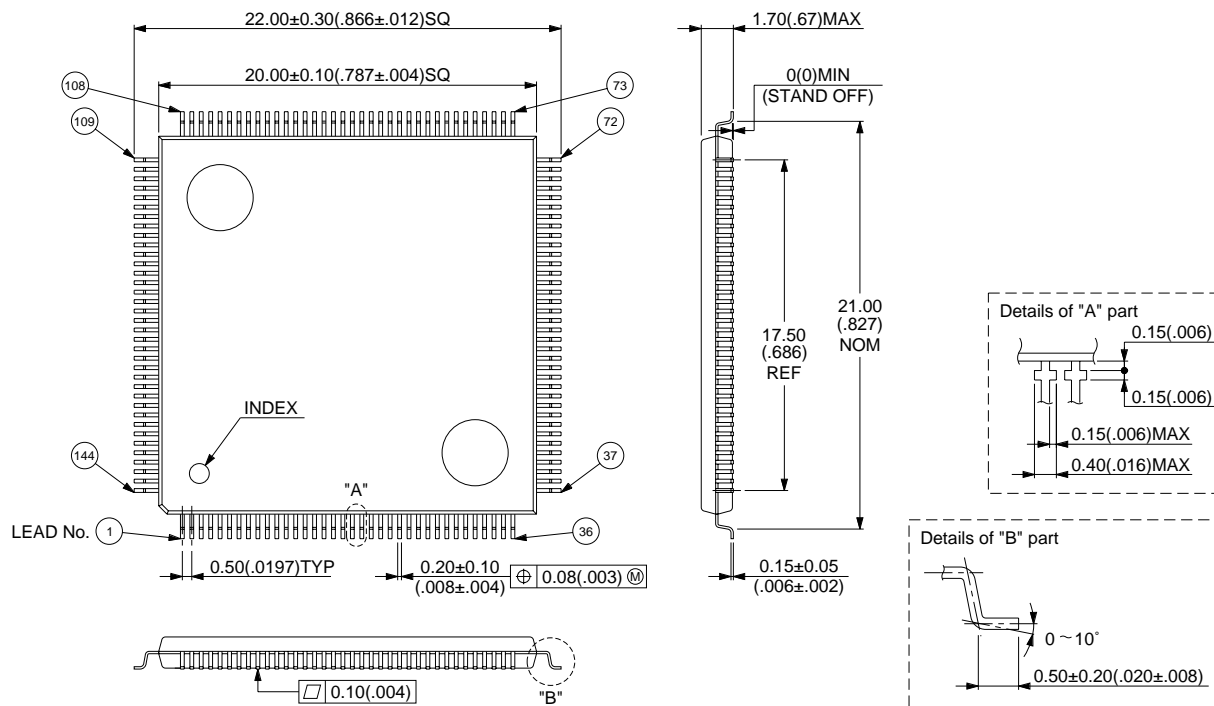


© 1998 FUJITSU LIMITED B144001S-2C-2

Dimensions in mm (inches)

# MB91133/MB91F133

144-pin plastic LQFP  
(FPT-144P-M08)



© 1995 FUJITSU LIMITED F144019S-1C-2

Dimensions in mm (inches)

# MB91133/MB91F133

## FUJITSU LIMITED

*For further information please contact:*

### Japan

FUJITSU LIMITED  
Corporate Global Business Support Division  
Electronic Devices  
Shinjuku Dai-Ichi Seimei Bldg. 7-1,  
Nishishinjuku 2-chome, Shinjuku-ku,  
Tokyo 163-0721, Japan  
Tel: +81-3-5322-3347  
Fax: +81-3-5322-3386

<http://edevice.fujitsu.com/>

### North and South America

FUJITSU MICROELECTRONICS, INC.  
3545 North First Street,  
San Jose, CA 95134-1804, U.S.A.  
Tel: +1-408-922-9000  
Fax: +1-408-922-9179

Customer Response Center  
*Mon. - Fri.: 7 am - 5 pm (PST)*  
Tel: +1-800-866-8608  
Fax: +1-408-922-9179

<http://www.fujitsumicro.com/>

### Europe

FUJITSU MICROELECTRONICS EUROPE GmbH  
Am Siebenstein 6-10,  
D-63303 Dreieich-Buchsschlag,  
Germany  
Tel: +49-6103-690-0  
Fax: +49-6103-690-122

<http://www.fujitsu-fme.com/>

### Asia Pacific

FUJITSU MICROELECTRONICS ASIA PTE. LTD.  
#05-08, 151 Lorong Chuan,  
New Tech Park,  
Singapore 556741  
Tel: +65-281-0770  
Fax: +65-281-0220

<http://www.fmap.com.sg/>

### Korea

FUJITSU MICROELECTRONICS KOREA LTD.  
1702 KOSMO TOWER, 1002 Daechi-Dong,  
Kangnam-Gu, Seoul 135-280  
Korea  
Tel: +82-2-3484-7100  
Fax: +82-2-3484-7111

F0101

© FUJITSU LIMITED Printed in Japan

All Rights Reserved.

The contents of this document are subject to change without notice. Customers are advised to consult with FUJITSU sales representatives before ordering.

The information and circuit diagrams in this document are presented as examples of semiconductor device applications, and are not intended to be incorporated in devices for actual use. Also, FUJITSU is unable to assume responsibility for infringement of any patent rights or other rights of third parties arising from the use of this information or circuit diagrams.

The contents of this document may not be reproduced or copied without the permission of FUJITSU LIMITED.

FUJITSU semiconductor devices are intended for use in standard applications (computers, office automation and other office equipments, industrial, communications, and measurement equipments, personal or household devices, etc.).

#### CAUTION:

Customers considering the use of our products in special applications where failure or abnormal operation may directly affect human lives or cause physical injury or property damage, or where extremely high levels of reliability are demanded (such as aerospace systems, atomic energy controls, sea floor repeaters, vehicle operating controls, medical devices for life support, etc.) are requested to consult with FUJITSU sales representatives before such use. The company will not be responsible for damages arising from such use without prior approval.

Any semiconductor devices have inherently a certain rate of failure. You must protect against injury, damage or loss from such failures by incorporating safety design measures into your facility and equipment such as redundancy, fire protection, and prevention of over-current levels and other abnormal operating conditions.

If any products described in this document represent goods or technologies subject to certain restrictions on export under the Foreign Exchange and Foreign Trade Control Law of Japan, the prior authorization by Japanese government should be required for export of those products from Japan.