



**2SD1877**

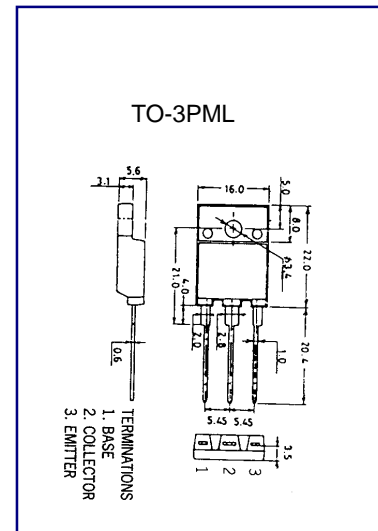
**NPN TRIPLE DIFFUSED  
PLANAR SILICON TRANSISTOR**

**COLOR TV HORIZONTAL OUTPUT  
APPLICATIONS(Damper Diode BUILT IN)**

- High Collector-Base Voltage( $V_{CB0}=1500V$ )
- High Speed Switching

www.DataSheet4U.com **ABSOLUTE MAXIMUM RATINGS ( $T_A=25^{\circ}C$ )**

Characteristic	Symbol	Rating	Unit
Collector-Base Voltage	$V_{CB0}$	1500	V
Collector-Emitter Voltage	$V_{CEO}$	1500	V
Emitter-Base voltage	$V_{EBO}$	6	V
Collector Current (DC)	$I_c$	4	A
Collector Dissipation ( $T_c=25^{\circ}C$ )	$P_c$	50	W
Junction Temperature	$T_j$	150	$^{\circ}C$
Storage Temperature	$T_{stg}$	-50~150	$^{\circ}C$



**ELECTRICAL CHARACTERISTICS ( $T_A=25^{\circ}C$ )**

Characteristic	Symbol	Test Condition	Min	Typ	Max	Unit
Collector- Emitter Cutoff Current( $V_{BE}=0$ )	$I_{CES}$	$V_{CE}= 1400 V$ ,			1.0	mA
Collector Cutoff Current	$I_{CBO}$	$R_{BE}=0$			10	$\mu A$
Emitter Cutoff Current	$I_{EBO}$	$V_{CB}= 800 V$ , $I_E=0$			1.0	mA
DC Current Gain	$h_{FE}$	$V_{EB}= 4V$ , $I_c=0$	8			
Collector- Emitter Saturation Voltage	$V_{CE(sat)}$	$V_{CE}= 5V$ , $I_c=1A$ $I_c=2.5A$ , $I_B= 0.8A$			5.0	V