

PLEASE CHECK WWW.MOLEX.COM FOR LATEST PART INFORMATION

Part Number: **0505197725**
Status: **Active**
Description: Ring Tongue Terminal for 16-22 AWG, Closed Uninsulated Brazed Barrel, Stud Size 8 (M4), Oxygen-Free Copper, Length 20.20mm (.795")

Documents:

[Drawing \(PDF\)](#) [RoHS Certificate of Compliance \(PDF\)](#)
[Product Specification PS-50519-002 \(PDF\)](#)

Agency Certification

CSA LR95446
 UL E134962

General

Product Family Ring and Spade Terminals
 Series [50519](#)
 Crimp Quality Equipment Yes
 Mil-Spec N/A
 Product Name R (Ring)
 Type Ring

Physical

Barrel Type Closed - Brazed
 Insulation None
 Material - Plating Mating Tin
 Packaging Type Bag
 Plating min: Mating (µin) 40
 Plating min: Mating (µm) 1
 Plating min: Termination (µin) 40
 Plating min: Termination (µm) 1
 Stud Size 8 (M4)
 Termination Interface: Style Crimp or Compression
 Wire Size AWG 16, 18, 20, 22
 Wire Size mm² 0.25 - 1.65

Material Info

Reference - Drawing Numbers

Product Specification PS-50519-002
 Sales Drawing SD-50519-001



Series

image - Reference only

EU RoHS

ELV and RoHS Compliant
REACH SVHC
 Not Reviewed
Halogen-Free Status
Not Reviewed

China RoHS



Need more information on product environmental compliance?

Email productcompliance@molex.com
 For a multiple part number RoHS Certificate of Compliance, [click here](#)

Please visit the [Contact Us](#) section for any non-product compliance questions.

Search Parts in this Series

[50519Series](#)

Application Tooling | [FAQ](#)

Tooling specifications and manuals are found by selecting the products below. Crimp Height Specifications are then contained in the Application Tooling Specification document.

Japan

Description	Product #
Hand Crimper For JIS Terminal	0572575000
Hand Crimper For JIS Terminal	0573435002
Air Type Hand Crimper For JIS Terminal	0573439005

10 9 8 7 6 5 4 3 2 1

F

E

D

C

B

A

F

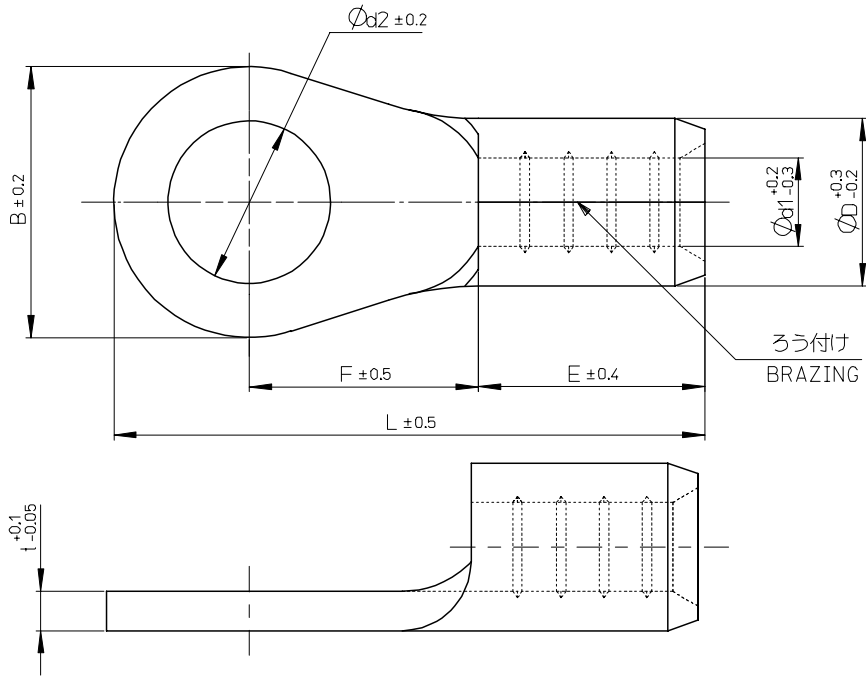
E

D

C

B

A

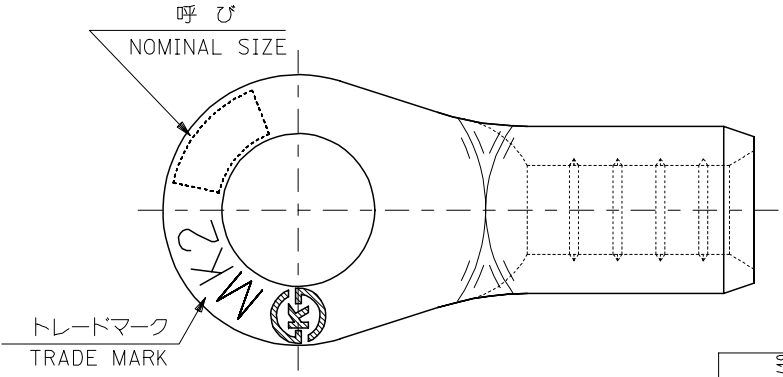


ろう付け
BRAZING

注記 NOTES

- 1 材質 MATERIAL
端子: 無酸素銅、スズメッキ
TERMINAL: OXYGEN FREE COPPER, TIN PLATING
ろう付け部: リン銅ろう
PART OF BRAZING: COPPER PHOSPHORUS BRAZING FILLER METALS
- 2 適用電線 APPLICABLE WIRE RANGE

単線 SOLID WIRE	撚線 STRANDED WIRE
0.57-1.44mm	0.25-1.65 mm ²



0.8	10.5	21.8	10.5	4.5	1.7	3.4	13.6	1.25	10	50519-7825
	8.4	20.2	10				11.5		8	-7725
	6.4						6		-7625	
	4.3	14.4	6.6				6.6		S4	-7525
	3.7	13.8					5.5		M3.5	-7425
	3.2	14.4	6.6				6.6		V3	-7225
		13.8								
	2.5	12	4.8				5.5		2	50519-7025
t	φd2	L	F	E	φd1	φD	B	呼び NOMINAL SIZE	MATERIAL NO.	

REVISED EC NO: J2007-1282 2006/12/19 DRW:KITO 2007/03/07 CHK:KASAHARA 2007/03/07 APPR:NUKITA 2007/03/08	GENERAL TOLERANCES (UNLESS SPECIFIED)		DIMENSION STYLE MM ONLY		SCALE ---	DESIGN UNITS METRIC	THIRD ANGLE PROJECTION		
	10 UNDER	± ---	DRAWN BY H. IJIMA		DATE 1998/02/23	TITLE RING TERMINAL			
	10 OVER 30 UNDER	± ---	CHECKED BY M. FUKUSHIMA		DATE 1998/02/23	MOLEX INCORPORATED SD-50519-001 SHEET NO. 1 OF 1			
	30 OVER	± ---	APPROVED BY M. FUKUSHIMA		DATE 1998/02/23				
	ANGULAR	±1 °	MATERIAL NO.		DOCUMENT NO.		SEE CHART		
DRAFT WHERE APPLICABLE MUST REMAIN WITHIN DIMENSIONS		SIZE A3	THIS DRAWING CONTAINS INFORMATION THAT IS PROPRIETARY TO MOLEX INCORPORATED AND SHOULD NOT BE USED WITHOUT WRITTEN PERMISSION						