

PPC

PPC-7505F

Fanless and Low Power 15" Panel PC

Features and Benefits:

- Intel® Celeron® M ULV CPU on board
- Totally fanless and quiet design
- Low power consumption and economical solution
- On-board IDE interface, Type II Compact Flash slot
- Optional slim CD-ROM drive
- Optional PCI Expansion slot (1 or 3 slots)
- 24V DC power support, optional power adapter for AC power



PROTECH SYSTEMS

It's the right choice

No. 24, Lane 365, Yang Guang St., Nei Hu District, Taipei 114, Taiwan, R.O.C.

Tel: +886-2-8751-1111

Fax: +886-2-8751-1199

Email: sales@protech.com.tw

<http://www.protech.com.tw>

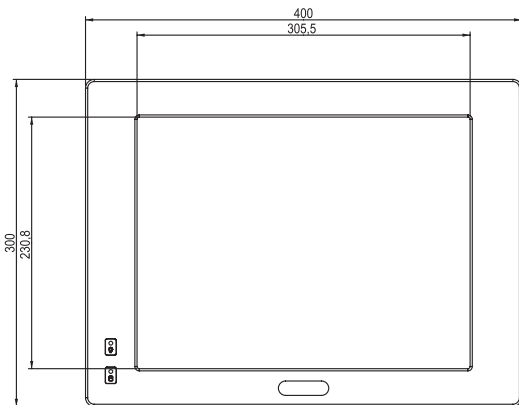


ISO CERTIFIED

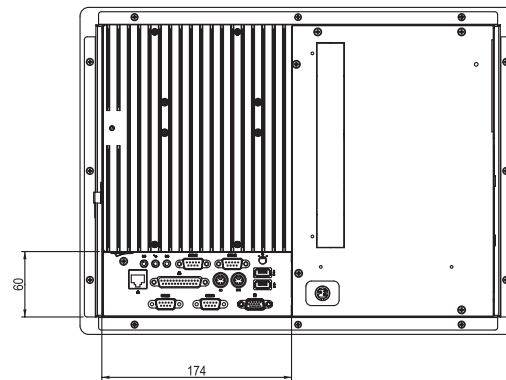
9001 | 14001

PPC-7505F *Fanless and Low Power 15" Panel PC*

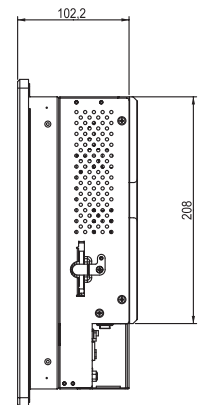
Front View



Rear View



Side View



Unit: mm

Specification

Systems

CPU Support	Intel® Celeron® M ULV 1.0GHz on board (non L2 cache)
Memory Support	1 x 200pin DDR SO-DIMM, support DDR 333 SDRAM up to 1GB
Front Bazel	Aluminum
IP65/NEMA4	Yes
Power Supply	DC 24Vin 80W power supply / AC 100-240Vin (optional power adapter)
O.S. Support	Win 98SE/2000/XP/CE.net, Linux Redhat 8.0/9.0
Dimension (WxHxD)	400 x 300 x 99 mm (15.6" x 11.7" x 3.89")
System Weight	10 Kg (22lb)
VESA Mounting Support	75mm / 100mm VESA bracket (optional)
Certificate	CE / FCC

I/O Ports

USB	2 x USB2.0
KB / Mouse	2
Audio	Line in / Line out / MIC in
Parallel	1 x parallel port (SPP / EPP / ECP)
Serial Port	4 x COMs, COM1 supports +5V or +12V, COM2 for RS232/422/485, COM 2/3/4 supports +5V only

LAN	10/100 Mbps
VGA	1
Brightness Control	VR on rear panel
Drive Bay	1 x 2.5" HDD, 1 x IDE CF slot on board, 1 x Slim CD-ROM (optional)
Expansion Slots	1 x PCI or 3 x PCI slot (optional)

Display

LCD	15" XGA TFT LCD (1024 x 768)
Touch Screen	7W Analog resistive (USB interface)

Environment

Operating Temp.	0° ~ 40°C
Storage Temp.	-20° ~ 60°C
Humidity	20% ~ 90%

Ordering

PPC-7505F	Fanless Panel PC with 15" LCD, Intel Celeron M ULV 1.0GHz CPU board, resistive touchscreen, 24V 80W DC power supply
EFSP120-ACB	120W, 24 Vdc output power adaptor
PPC-7500-1P	1 x PCI riser card for PPC-7505F/7507F
PPC-7500-3P	3 x PCI riser card for PPC-7505F/7507F
PPC-VESAKIT	VESA bracket

All of trademarks and brand names are the property of their owners. Trademark "Protech" is the property of Protech Systems Co., Ltd. All information contained in this document is subject to change without any prior notice. This catalog is copyrighted in MAR, 2007.