

**PLEASE CHECK WWW.MOLEX.COM FOR LATEST PART INFORMATION**

**Part Number:** **0365090009**  
**Status:** **Active**  
**Overview:** din\_41612  
**Description:** 2.54mm (.100") Pitch DIN 41612 Receptacle, Right Angle, Through Hole, 96 Circuits, 0.3µm (12µ") Selective Gold (Au), with Mounting Clip, Lead-Free

**Documents:**

[3D Model](#) [Product Specification PS-36509-001 \(PDF\)](#)  
[Drawing \(PDF\)](#) [RoHS Certificate of Compliance \(PDF\)](#)

**General**

Product Family	Backplane Connectors
Series	<u>36509</u>
Application	Backplane
Comments	"R" at style represents Right Angle Female Performance
	Level 3 DIN Connector
Component Type	PCB Receptacle
Overview	<u>din_41612</u>
Product Name	IEC 603-2/DIN 41612
Style	R

**Physical**

Circuits (Loaded)	96
Circuits (maximum)	96
Circuits Detail	Rows A, B, & C
Durability (mating cycles max)	50
Keying to Mating Part	Yes
Number of Columns	32
Number of Pairs	Open Pin Field
Number of Rows	3
Orientation	Right Angle
PC Tail Length (in)	0.118 In
PC Tail Length (mm)	3.00 mm
PCB Locator	No
PCB Retention	Yes
PCB Thickness Recommended (in)	0.062 In, 0.125 In
PCB Thickness Recommended (mm)	1.60 mm, 3.20 mm
Packaging Type	Bag
Pitch - Mating Interface (in)	0.100 In
Pitch - Mating Interface (mm)	2.54 mm
Pitch - Term. Interface (in)	0.100 In
Pitch - Term. Interface (mm)	2.54 mm
Polarized to PCB	Yes
Surface Mount Compatible (SMC)	No
Temperature Range - Operating	-55°C to +125°C
Termination Interface: Style	Through Hole

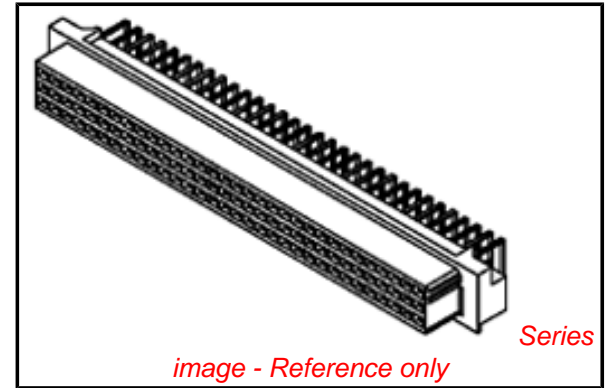
**Electrical**

Current - Maximum per Contact	1A
Data Rate	622.0 Mbps
Voltage - Maximum	250V AC (RMS)

**Material Info**

**Reference - Drawing Numbers**

Product Specification	PS-36509-001
Sales Drawing	SD-36509-001



*image - Reference only*

**EU RoHS**

**ELV and RoHS  
Compliant**  
**REACH SVHC**  
 Not Reviewed  
**Halogen-Free  
Status**  
**Not Reviewed**

**China RoHS**



**Need more information on product  
environmental compliance?**

Email [productcompliance@molex.com](mailto:productcompliance@molex.com)  
 For a multiple part number RoHS Certificate of Compliance, [click here](#)

Please visit the [Contact Us](#) section for any non-product compliance questions.

**Search Parts in this Series**

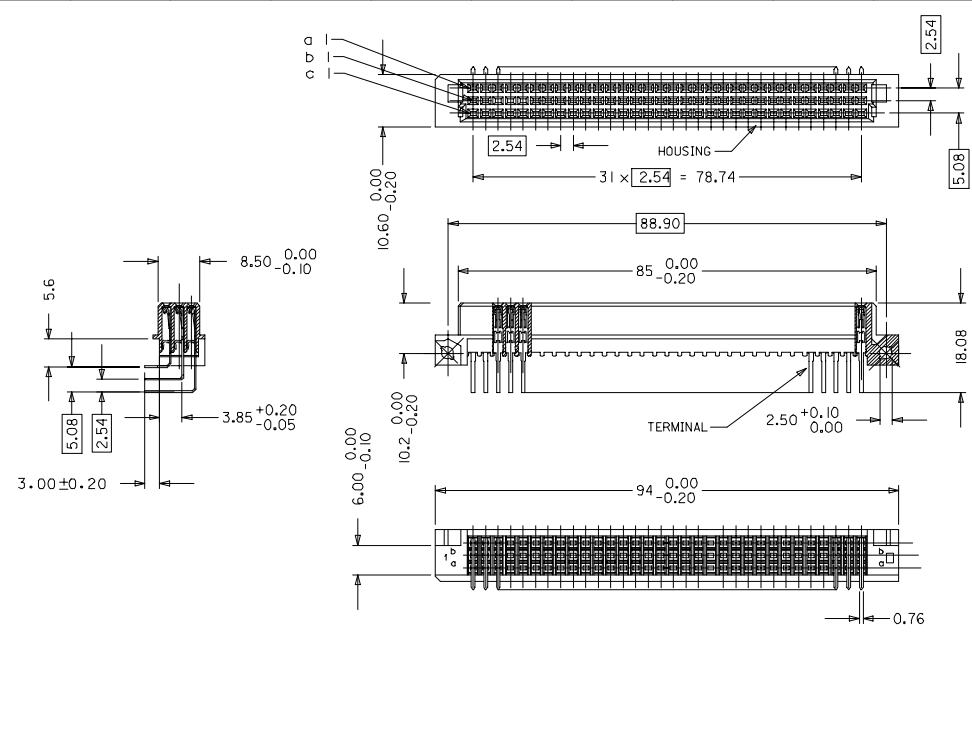
36509Series

**Mates With**

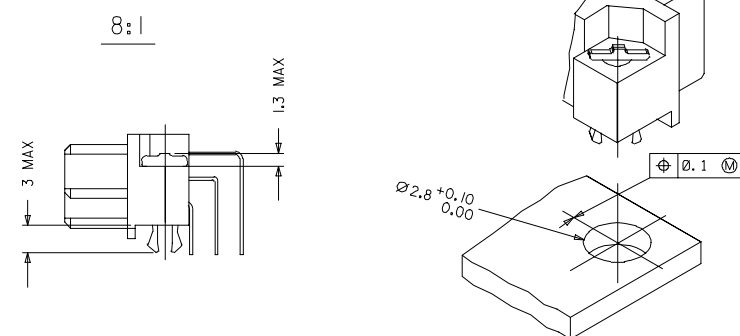
36502 Right Angle Header, 36511 Vertical Header

This document was generated on 05/13/2010

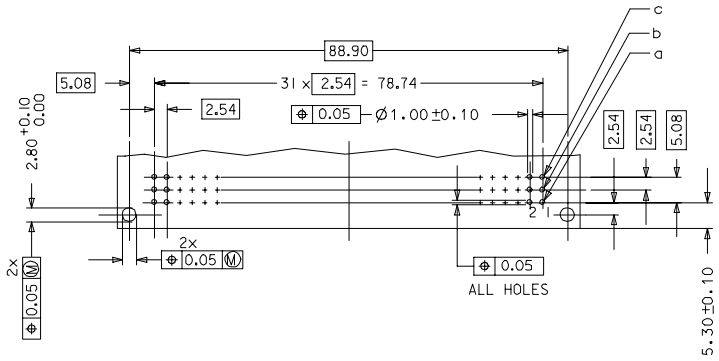
**PLEASE CHECK [WWW.MOLEX.COM](http://WWW.MOLEX.COM) FOR LATEST PART INFORMATION**



WITH MOUNTING CLIPS



RECOMMENDED PCB LAYOUT  
COMPONENT SIDE

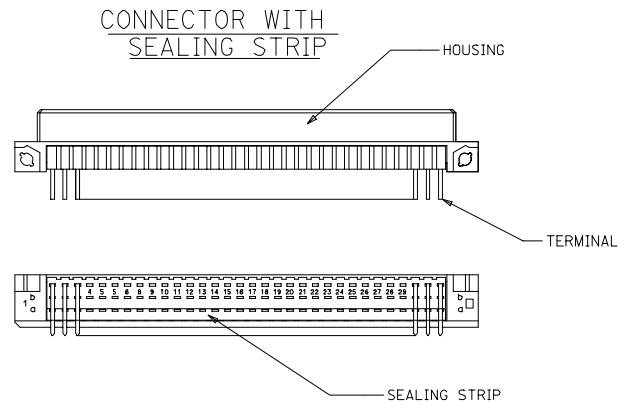


- NOTES:
- MATERIALS: THERMOPLASTIC POLYESTER, GLASS FILLED, UL94V-0, COLOUR: PEBBLE GREY RAL 7032  
TERMINAL - PHOSPHOR BRONZE  
MOUNTING CLIP: STEEL
  - FINISH: TERMINAL:-  
CONTACT AREA  
1. PERFORMANCE LEVEL 1: SELECTIVE GOLD (Au), THICKNESS = 1.1 MICROMETER OVER NICKEL, THICKNESS = 1.25 MICROMETER  
2. PERFORMANCE LEVEL 2: SELECTIVE GOLD (Au), THICKNESS = 0.6 MICROMETER OVER NICKEL, THICKNESS = 1.25 MICROMETER  
3. PERFORMANCE LEVEL 3: SELECTIVE GOLD (Au), THICKNESS = 0.3 MICROMETER OVER NICKEL, THICKNESS = 1.25 MICROMETER  
TERMINATION AREA:  
SELECTIVE TIN, THICKNESS = 2.5 MICROMETER OVER NICKEL, THICKNESS = 1.25 MICROMETER OVERALL
  - MOUNTING CLIP:-  
TIN (Sn), THICKNESS = 5-10 MICROMETER, OVER NICKEL (Ni), THICKNESS = 2.5 MICROMETER
  - FOR NON MOUNTING CLIP OPTION, CONNECTOR TO BE SECURED WITH RIVETS: 2 TUBULAR RIVETS 2.5 x 0.3 ... DIN 7340  
SCREWS: 2 CHEESEHEAD SCREWS M2.5 x .... DIN 84 AND 2 HEXAGONAL NUTS M2.5 DIN 934
  - MATERIAL NUMBER, BATCH CODE, UL AND CSA MARKING TO BE PRINTED ON THE CONNECTOR
  - CUT FACE OF TIP WITHOUT PLATING PERMITTED
  - PRODUCT SPECIFICATION : PS 36509-001

RoHS COMPLIANT

EC No: P007-0044 DRAWN BY: DRINGSATTI/MARCO 2006/10/10 CHECKED BY: CHIKKOSUDHIR 2006/10/11 APPROVED BY: APPR/SSUDHIR 2006/10/17	QUALITY SYMBOLS ▽=0 ▽=0	GENERAL TOLERANCES (UNLESS SPECIFIED)		DIMENSION STYLE MM ONLY		SCALE 2:1	DESIGN UNITS METRIC	THIRD ANGLE PROJECTION	
		4 PLACES ± --- ± --- 3 PLACES ± 0.05 ± --- 2 PLACES ± 0.1 ± --- 1 PLACE ± 0.15 ± ---	INCH ± --- ± --- ± ---	DRAWN BY SS	DATE 1999/09/24	TITLE ASSEMBLY, DIN1612 R FEMALE 96 POS		MOLEX INCORPORATED	
DRAFT WHERE APPLICABLE MUST REMAIN WITHIN DIMENSIONS	SIZE A 1	MATERIAL NO. SEE CHART		DOCUMENT NO. SD-36509-001		SHEET NO. 1 OF 2			
		THIS DRAWING CONTAINS INFORMATION THAT IS PROPRIETARY TO MOLEX INCORPORATED AND SHOULD NOT BE USED WITHOUT WRITTEN PERMISSION							

MATERIAL No	MOLEX ENG No	PERF LEVEL	PLATING	CONTACT SEQUENCE/ROW	MOUNTING CLIP	SEALING STRIP
36509-0001	MM-B2400-R960	1	Au+Ni	1,2,3....32 a+b+c	NO	NO
36509-0002	MM-B2500-R960	2	Au+Ni	1,2,3....32 a+b+c	NO	NO
36509-0003	MM-B2600-R960	3	Au+Ni	1,2,3....32 a+b+c	NO	NO
36509-0007	MM-B2400-R910	1	Au+Ni	1,2,3....32 a+b+c	YES	NO
36509-0008	MM-B2500-R910	2	Au+Ni	1,2,3....32 a+b+c	YES	NO
36509-0009	MM-B2600-R910	3	Au+Ni	1,2,3....32 a+b+c	YES	NO
36509-0013	MM-B2400-R960-101	1	Au+Ni	1,2,3....32 a+b+c	NO	YES
36509-0014	MM-B2500-R960-101	2	Au+Ni	1,2,3....32 a+b+c	NO	YES
36509-0015	MM-B2600-R960-101	3	Au+Ni	1,2,3....32 a+b+c	NO	YES
36509-0019	MM-B2400-R910-101	1	Au+Ni	1,2,3....32 a+b+c	YES	YES
36509-0020	MM-B2500-R910-101	2	Au+Ni	1,2,3....32 a+b+c	YES	YES
36509-0021	MM-B2600-R910-101	3	Au+Ni	1,2,3....32 a+b+c	YES	YES



RoHS COMPLIANT

EC No: 2007/0044 DRAWN BY: DRINGSATTI/MARCO 2006/10/10 CHECKED BY: CHIKKOSUDHAR 2006/10/11 APPROVED BY: APPR/SSUDHAR 2006/10/16	QUALITY SYMBOLS	GENERAL TOLERANCES (UNLESS SPECIFIED)	DIMENSION STYLE	SCALE	DESIGN UNITS	THIRD ANGLE PROJECTION															
	▽=0 ▽=0.1	<table border="1"> <thead> <tr> <th></th> <th>mm</th> <th>INCH</th> </tr> </thead> <tbody> <tr> <td>4 PLACES</td> <td>± 0.15</td> <td>± 0.006</td> </tr> <tr> <td>3 PLACES</td> <td>± 0.05</td> <td>± 0.002</td> </tr> <tr> <td>2 PLACES</td> <td>± 0.1</td> <td>± 0.004</td> </tr> <tr> <td>1 PLACE</td> <td>± 0.15</td> <td>± 0.006</td> </tr> </tbody> </table>		mm	INCH	4 PLACES	± 0.15	± 0.006	3 PLACES	± 0.05	± 0.002	2 PLACES	± 0.1	± 0.004	1 PLACE	± 0.15	± 0.006	MM ONLY	2:1	METRIC	
		mm	INCH																		
	4 PLACES	± 0.15	± 0.006																		
3 PLACES	± 0.05	± 0.002																			
2 PLACES	± 0.1	± 0.004																			
1 PLACE	± 0.15	± 0.006																			
DRAFT WHERE APPLICABLE MUST REMAIN WITHIN DIMENSIONS	DRAWN BY: SS 1999/09/24 CHECKED BY: G.J.LOWE 1999/09/24 APPROVED BY: G.J.LOWE 1999/09/24	DIMENSION STYLE: SEE CHART MATERIAL NO.: SD-36509-001 DOCUMENT NO.: SD-36509-001 SHEET NO.: 2 OF 2	ASSEMBLY, DIN41612 R FEMALE 96 POS	MOLEX INCORPORATED	THIS DRAWING CONTAINS INFORMATION THAT IS PROPRIETARY TO MOLEX INCORPORATED AND SHOULD NOT BE USED WITHOUT WRITTEN PERMISSION																