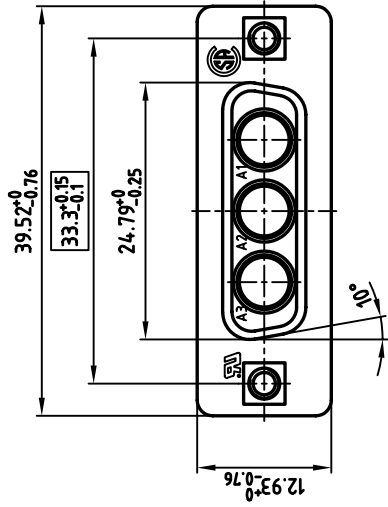
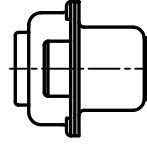
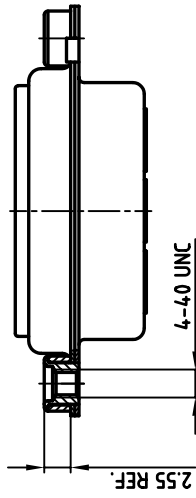
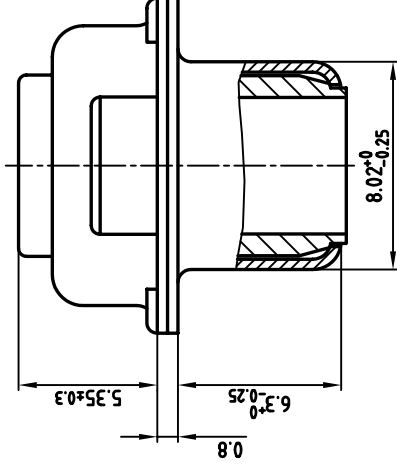


used for: D-SUB COMBINATION



5:1



NOTES:

1. METALSHELLS: STEEL, min. 320µ" TIN
2. INSULATORS: PBT GF UL 94 V-0, GREEN
3. THREADED INSERT: COPPER ALLOY; min. 200µ" TIN over 80µ" NICKEL
4. COLLAR: COPPER ALLOY; min. 200µ" TIN over 80µ" NICKEL
5. MAXIMUM TORQUE VALUE FOR THREAD: 6" LBS
6. = CRITICAL DIMENSION: SPC



THIS DRAWING MAY NOT BE COPIED OR REPRODUCED IN ANY WAY, AND MAY NOT BE PASSED ON TO A THIRD PARTY WITHOUT WRITTEN PERMISSION.
OWNERSHIP AND COPYRIGHT OF CONEC GMBH
DO NOT ALTER CAD DRAWING BY HAND

rev.	description	date	name

tolerance	scale:	material:
	2:1 (5:1)	SEE NOTES

2001	date	name
drawn	26.09.	E. Mickenbecker
appd.	26.09.	J. Parrel
norm		
e-old		

title:	
D-SUB COMBINATION FEMALE	3W3S
with threaded insert	
dwg no:	AutoCAD 2000 DIN-A
	3
	sh: 1/1



13K1A348A

part no: 3003W3SXX99A30X