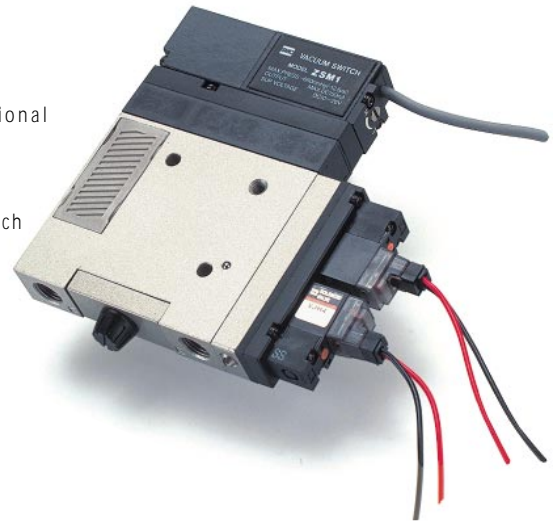


## VACUUM EJECTOR SERIES ZM

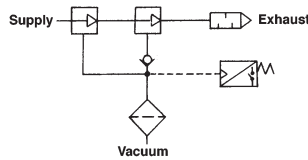
- ✓ All in one vacuum system
- ✓ Two stage nozzle design
- ✓ Suction flow rate 40% higher than traditional designs
- ✓ Silencer and suction filter
- ✓ Optional air supply and vacuum release valve
- ✓ Optional diaphragm or solid state vacuum switch
- ✓ Manifold mountable version



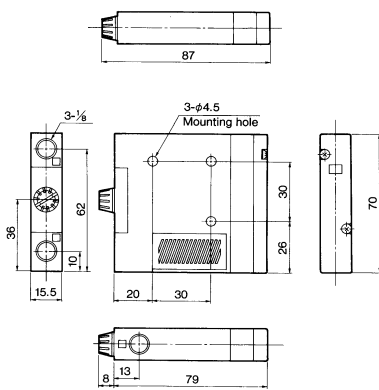
### TECHNICAL SPECIFICATIONS

Fluid	Air
Max. operating pressure	0.7MPa
Operating pressure	0.2~0.55MPa
Operating temperature	5 ~ 50°C (with valve)
	5 ~ 60°C (without valve)
Operating valve (air supply and release valve)	Main: Poppet valve
	Pilot: VJ114
Switch	Solid state type ZSE1-0•••
	Diaphragm state type ZSM1-0•••
Suction filter	30µm PE (polyethylene)
Lubrication	Forbidden
Solenoid Supply	24V dc

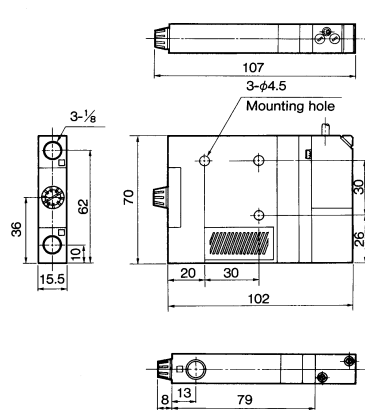
### SYMBOLS



### DIMENSIONS BASIC TYPE



### DIMENSIONS WITH VACUUM SWITCH



### HOW TO ORDER

#### ZM VACUUM EJECTOR AND SWITCH



#### NOZZLE DIAMETER

- 05 ...0.5mm
- 07 ...0.7mm
- 10 ...1.0mm
- 13 ...1.3mm

#### TYPE

- 2 .....Body ported
- 4 .....Manifold type

#### SUPPLY PRESSURE

- H .....0.5MPa
- M .....0.35MPa

#### SWITCHES

- Nil ...Without
- E15L Solid State (NPN)
- E55L Solid State (PNP)
- M21L Reed
- M15L Non-contact

### STOCKED PRODUCTS

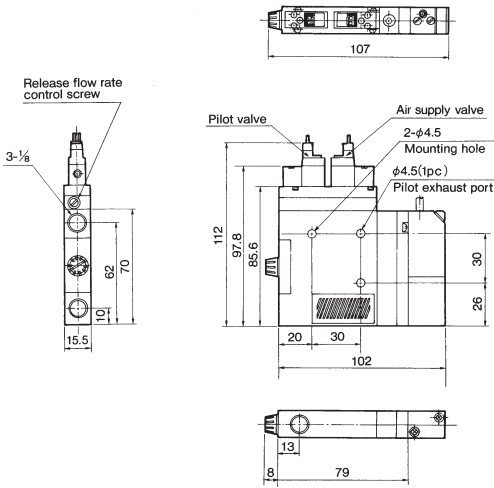
FOR A LIST OF STOCKED PRODUCTS, PLEASE SEE THE CURRENT SMC PRICE LIST

Model	Standard Supply Pressure	Max. Vacuum Pressure	Max. Suction Flow	Air Consumption (l/m)
ZM05•H	5Kgf/cm <sup>2</sup>	-630mmHg	18	12
ZM07•H	5Kgf/cm <sup>2</sup>	-630mmHg	24	23
ZM10•H	5Kgf/cm <sup>2</sup>	-630mmHg	36	46
ZM13•H	5Kgf/cm <sup>2</sup>	-630mmHg	40	95
ZM07•M	3.5Kgf/cm <sup>2</sup>	-630mmHg	20	16
ZM10•M	3.5Kgf/cm <sup>2</sup>	-630mmHg	26	32
ZM13•M	3.5Kgf/cm <sup>2</sup>	-630mmHg	36	70

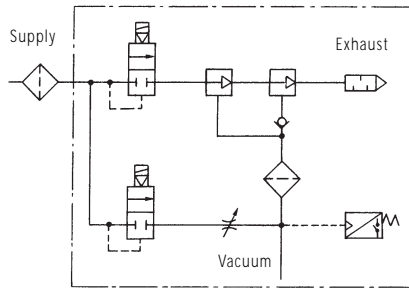


FOR FURTHER TECHNICAL DETAILS ON THIS PRODUCT REQUEST CATALOGUE REFERENCE E801

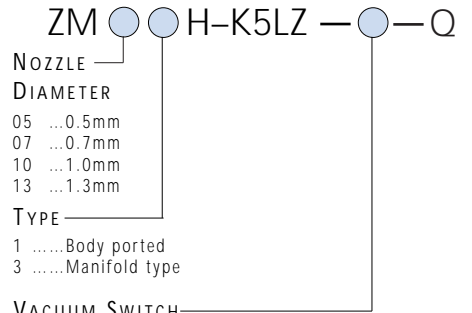
## DIMENSIONS WITH VALVE AND VACUUM SWITCH



## SYSTEM CIRCUIT

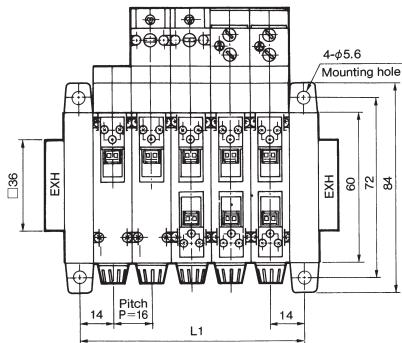


## HOW TO ORDER ZM VACUUM EJECTOR WITH VALVES AND SWITCH



**STOCKED PRODUCTS**  
 FOR A LIST OF STOCKED PRODUCTS, PLEASE SEE THE CURRENT SMC PRICE LIST

## DIMENSIONS ZM VACUUM EJECTOR MANIFOLD



## SERIES ZM VACUUM EJECTOR MANIFOLD

- ✓ 1 - 10 Stations
- ✓ Common supply and exhaust
- ✓ Maintenance and adjustment is possible without disassembly of the manifold

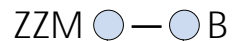
Fitted with an optional silencer Series AN: see section Air Preparation Accessories

n	1	2	3	4	5	6	7	8	9	10
L1	28	44	60	76	92	108	124	140	156	172
L2	40	56	72	88	104	120	136	152	168	184
L3	50	72	88	104	120	136	168	184	184	200



Vacuum

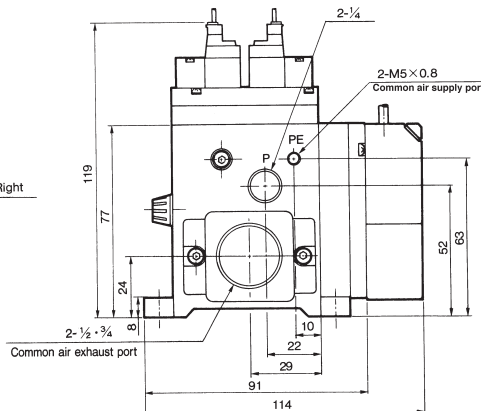
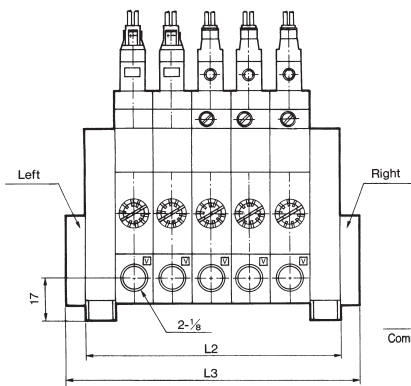
## HOW TO ORDER ZM VACUUM EJECTOR MANIFOLD



NUMBER OF STATIONS:  
 01 ...1 station  
 02 ...2 stations  
 to  
 10 ...10 stations

EXHAUST PORT:  
 04 ... $\frac{1}{2}$   
 06 ... $\frac{3}{4}$

**STOCKED PRODUCTS**  
 FOR A LIST OF STOCKED PRODUCTS, PLEASE SEE THE CURRENT SMC PRICE LIST



SEE INSIDE FRONT COVER FOR DETAILS OF YOUR LOCAL SALES OFFICE



FOR FURTHER TECHNICAL DETAILS ON THIS PRODUCT REQUEST CATALOGUE REFERENCE E801