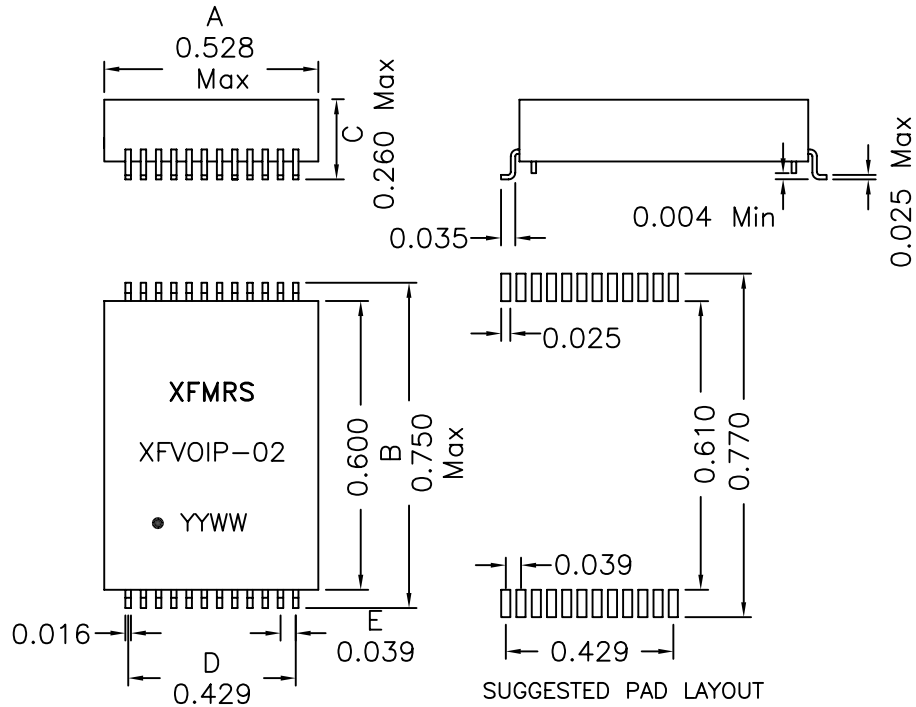
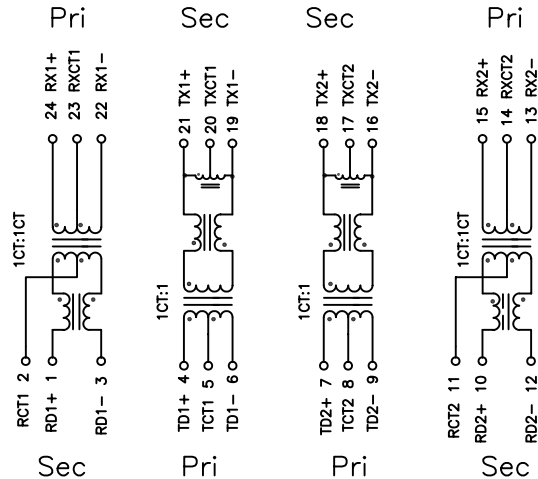


1. Mechanical Dimensions:



2. Schematic:



DOC. REV: A/12

3. Electrical Specifications: @25°C

ISOLATION: 1500 Vrms

INSERTION LOSS: -1.2dB MAX @1MHz-100MHz

PRI OCL: 350 uH Min @100KHz 100mV 8mADC

RETURN LOSS: 16dB Min @1-30MHz

14dB Min @40MHz

13dB Min @50MHz

-12dB Typ @60-80MHz

Differential to Common Mode Rejection:

-50dB Min @30MHz

-43dB Min @60MHz

-35dB Min @100MHz

Crosstalk: -45dB Min @30MHz

-40dB Min @60MHz

-35dB Min @100MHz

Notes:

- Solderability: Leads shall meet MIL-STD-202G, Method 208H for solderability.
- Flammability: UL94V-0
- ASTM oxygen index: > 28%
- Insulation System: Class F 155°C. UL file E151556
- Operating Temperature Range: All listed parameters are to be within tolerance from -40°C to +85°C
- Storage Temperature Range: -55°C to +125°C
- Aqueous wash compatible
- SMD Lead Coplanarity: ±0.004"(0.102mm)
- Electrical and mechanical specifications 100% tested
- RoHS Compliant Component
- Designed for 802.3af applications

XFMRS Inc www.XFMRS.com		Title: 10/100TX DUAL MAGNETICS MODULES	
UNLESS OTHERWISE SPECIFIED TOLERANCES: .xxx ±0.010 Dimensions in INCH	P/N: XFVOIP-02		REV. A
	DWN.	Xiany	Mar-23-10
SCALE 2:1 SHT 1 OF 1	CHK.	YK Liao	Mar-23-10
	APP.	BW	Mar-23-10

PROPRIETARY

Document is the property of XFMRS Group & is not allowed to be duplicated without authorization.