

Triple-Balanced Mixer

MY83H/MY83HC

V2

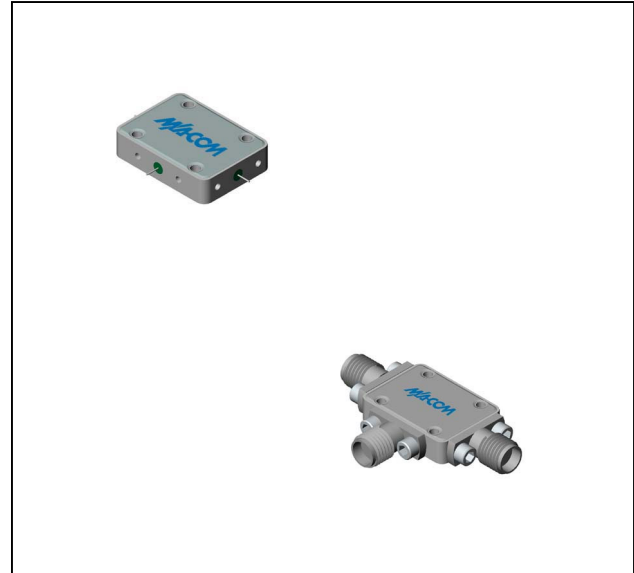
Features

- LO & RF 2.0 TO 18.0 GHz
- IF 0.03 TO 5.0 GHz
- LO DRIVE +20 dBm (NOMINAL)
- HIGH IP3 +24 dBm (TYP.)
- WIDE BANDWIDTH

Description

MY83H is a triple balanced mixer, designed for use in military, commercial and test equipment applications. The design utilizes Schottky ring quad diodes and broadband soft dielectric baluns to attain excellent performance. The use of high temperature solder assembly processes used internally makes it ideal for use in manual, semi-automated assembly. Environmental screening available to MIL-STD-883, MIL-STD-202 or MIL-DTL-28837, consult factory.

Product Image



Ordering Information

Part Number	Package
MY83H	Versapac
MY83HC	SMA Connectorized

Electrical Specifications: $Z_0 = 50\Omega$ $Lo = +20$ dBm (Downconverter Application only)

Parameter	Test Conditions	Units	Typical	Guaranteed	
				+25°C	-54° to +85°C
SSB Conversion Loss (max) & SSB Noise Figure (max)	$fR = 2$ to 18 GHz, $fL = 2$ to 18 GHz, $fI = 0.03$ to 5 GHz	dB	8.5	11.0	1.3
Isolation, L to R (min)	$fL = 2$ to 3 GHz $fL = 3$ to 18 GHz	dB	16	12	11
		dB	25	16	15
Isolation, L to I (min)	$fL = 2$ to 18 GHz	dB	30	20	19
1 dB Conversion Comp.	$fL = +20$ dBm	dBm	+17		
Input IP3	$fR1 = 6$ GHz at 0 dBm, $fR2 = 6.01$ GHz at 0 dBm, $fL = 8$ GHz at +20 dBm $fR1 = 14$ GHz at 0 dBm, $fR2 = 14.01$ GHz at 0 dBm, $fL = 18$ GHz at +20 dBm	dBm	+26		
		dBm	+24		

1

M/A-COM Inc. and its affiliates reserve the right to make changes to the product(s) or information contained herein without notice. M/A-COM makes no warranty, representation or guarantee regarding the suitability of its products for any particular purpose, nor does M/A-COM assume any liability whatsoever arising out of the use or application of any product(s) or information.

- **North America** Tel: 800.366.2266 / Fax: 978.366.2266
- **Europe** Tel: 44.1908.574.200 / Fax: 44.1908.574.300
- **Asia/Pacific** Tel: 81.44.844.8296 / Fax: 81.44.844.8298

Visit www.macom.com for additional data sheets and product information.

Triple-Balanced Mixer

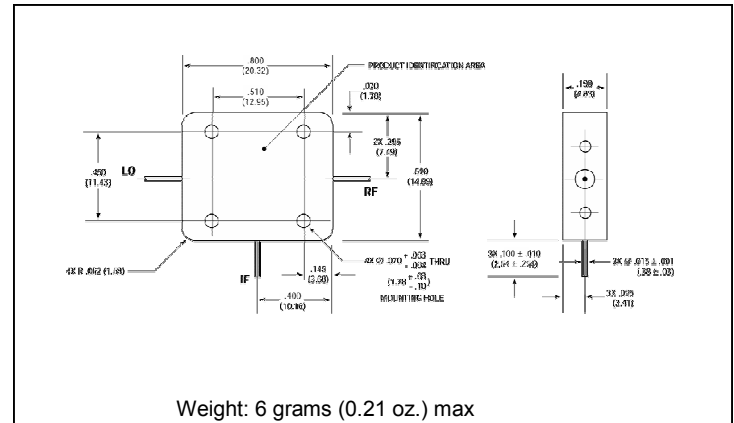
MY83H/MY83HC

V2

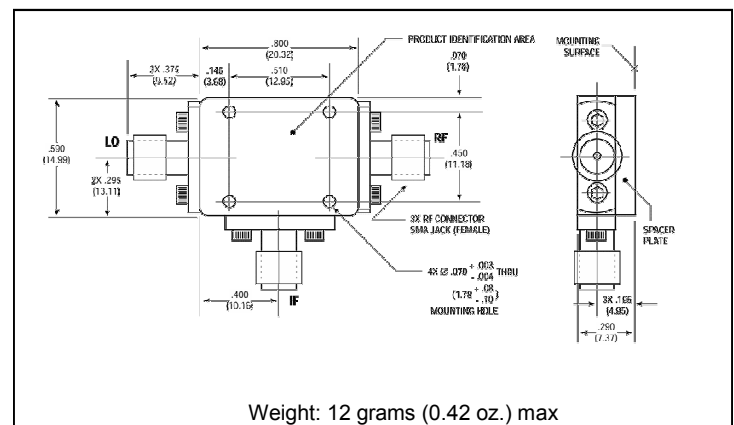
Absolute Maximum Ratings

Parameter	Absolute Maximum
Operating Temperature	-54°C to +100°C
Storage Temperature	-65°C to +100°C
Peak Input Power	+27 dBm max @ +25°C +21 dBm max @ +100°C
Peak Input Current	100 mA DC

Outline Drawing: Versapac *



Outline Drawing: SMA Connectorized *



* Dimensions are inches (millimeters) ±0.015 (0.38) unless otherwise specified.