

MITSUBISHI MICROCOMPUTERS 7531 Group

SINGLE-CHIP 8-BIT CMOS MICROCOMPUTER

DESCRIPTION

The 7531 Group is the 8-bit microcomputer based on the 740 family core technology.

The 7531 Group has a serial I/O, 8-bit timers, and an A-D converter, and is useful for control of home electric appliances and office automation equipment.

FEATURES

- Basic machine-language instructions 69
- The minimum instruction execution time 0.50 μ s
(at 8 MHz oscillation frequency for the shortest instruction, in high-speed mode)
- Memory size ROM 8K to 16K bytes
RAM 256 to 384 bytes
- Programmable I/O ports 29
(25 in 32-pin version)
- Interrupts 12 sources, 8 vectors
(11 sources, 8 vectors for 32-pin version)
- Timers 8-bit \times 3
- Serial I/O1 8-bit \times 1
(UART)
- Serial I/O2 8-bit \times 1
(Clock-synchronized)
- A-D converter 10-bit \times 8 channels
(6 channels for 32-pin version)
- Clock generating circuit Built-in type
(connect to external ceramic resonator or quartz-crystal oscillator

permitting CR oscillation)

- Watchdog timer 16-bit \times 1
- Power source voltage
At 8 MHz XIN oscillation frequency at ceramic oscillation 4.0 to 5.5 V
At 4 MHz XIN oscillation frequency at ceramic oscillation 2.4 to 5.5 V
At 2 MHz XIN oscillation frequency at ceramic oscillation 2.2 to 5.5 V
At 4 MHz XIN oscillation frequency at CR oscillation 4.0 to 5.5 V
At 2 MHz XIN oscillation frequency at CR oscillation 2.4 to 5.5 V
At 1 MHz XIN oscillation frequency at CR oscillation 2.2 to 5.5 V
- Power dissipation 40 mW (standard)
- Operating temperature range -20 to 85 °C
(-40 to 85 °C or -40 to 125 °C for extended operating temperature version (Note))

Note: The total time is limited as follows:

6000 hours at 55 to 85 °C, 1000 hours at 85 to 125 °C

APPLICATION

Office automation equipment, factory automation equipment, home electric appliances, consumer electronics, car, etc.

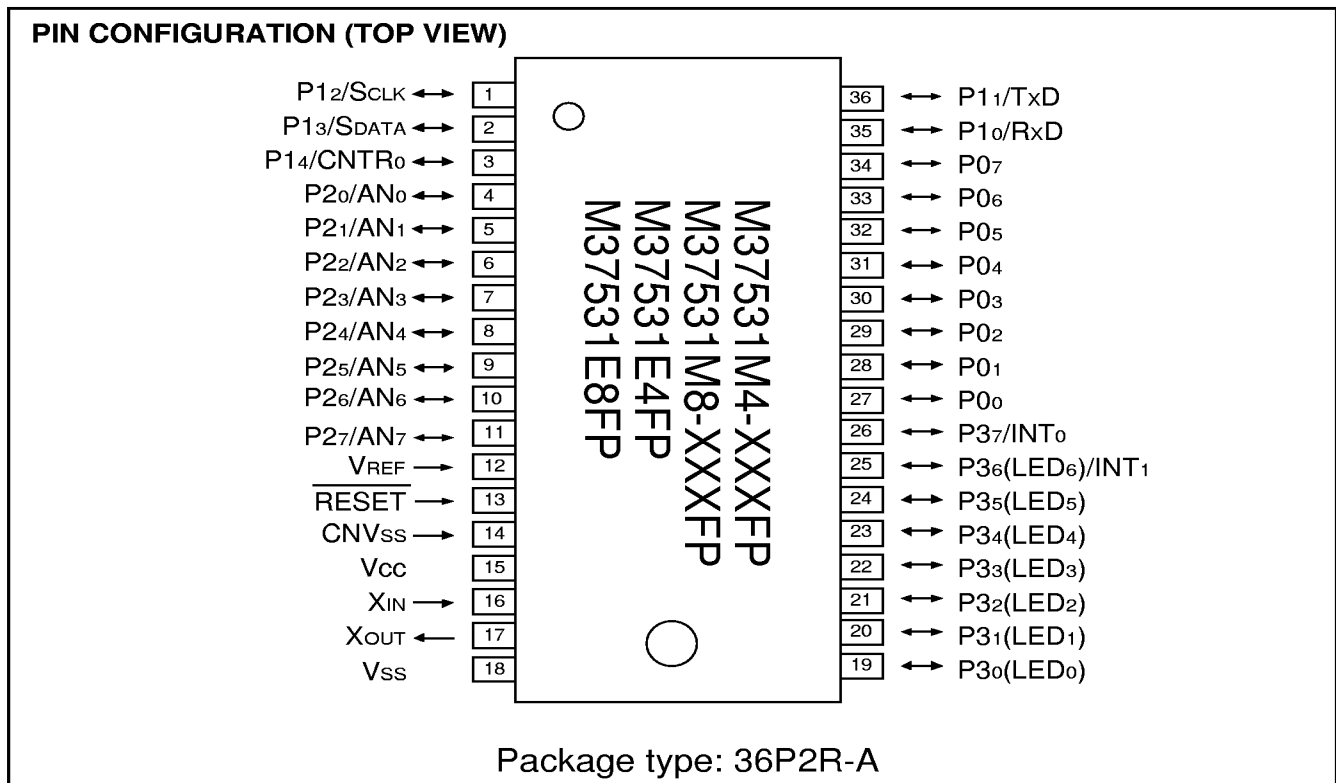


Fig. 1 Pin configuration (36P2R package type)



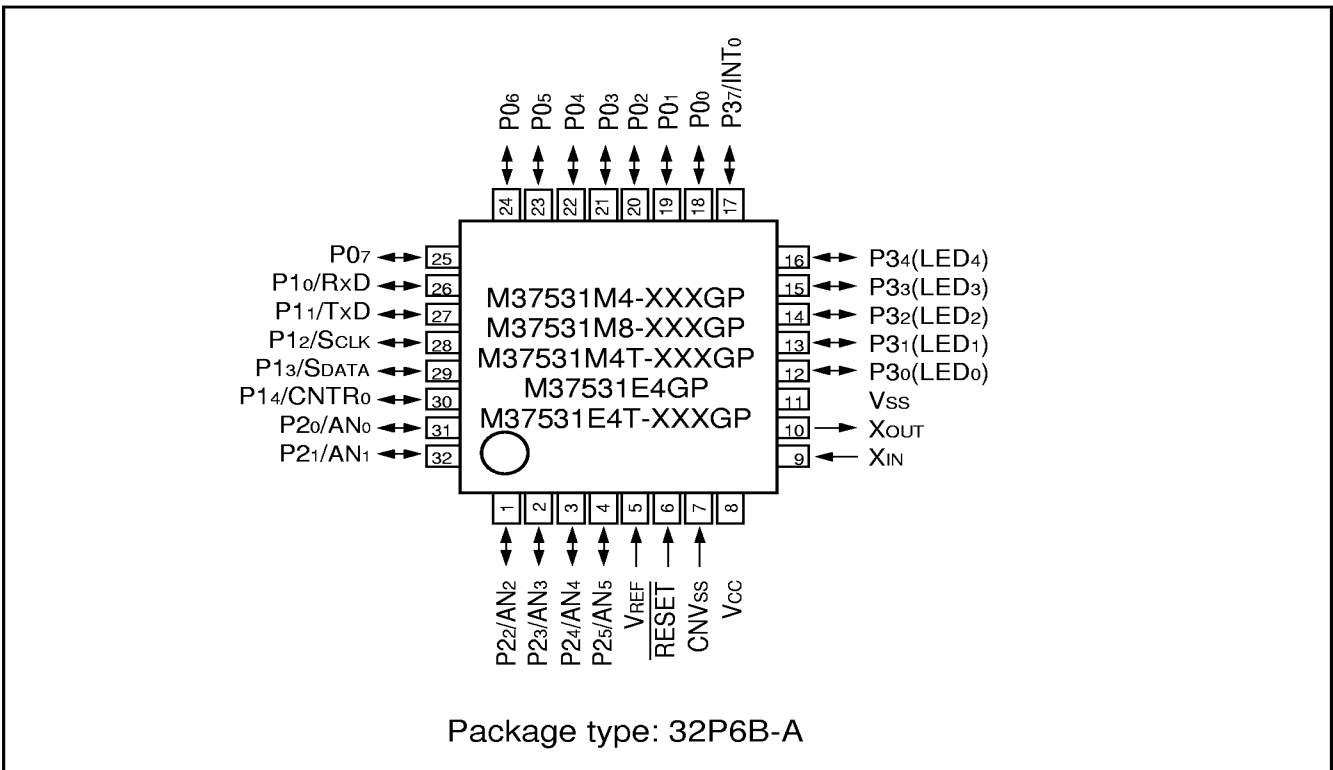


Fig. 2 Pin configuration (32P6B package type)

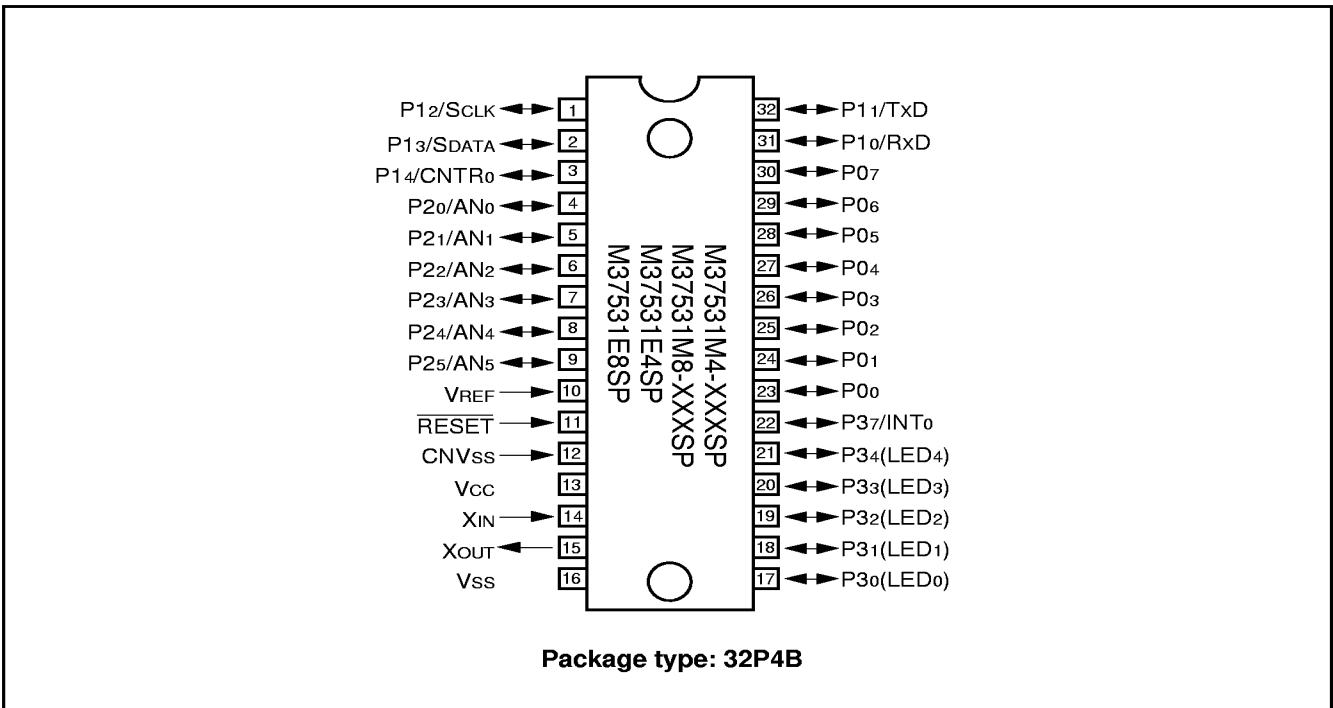


Fig. 3 Pin configuration (32P4B package type)

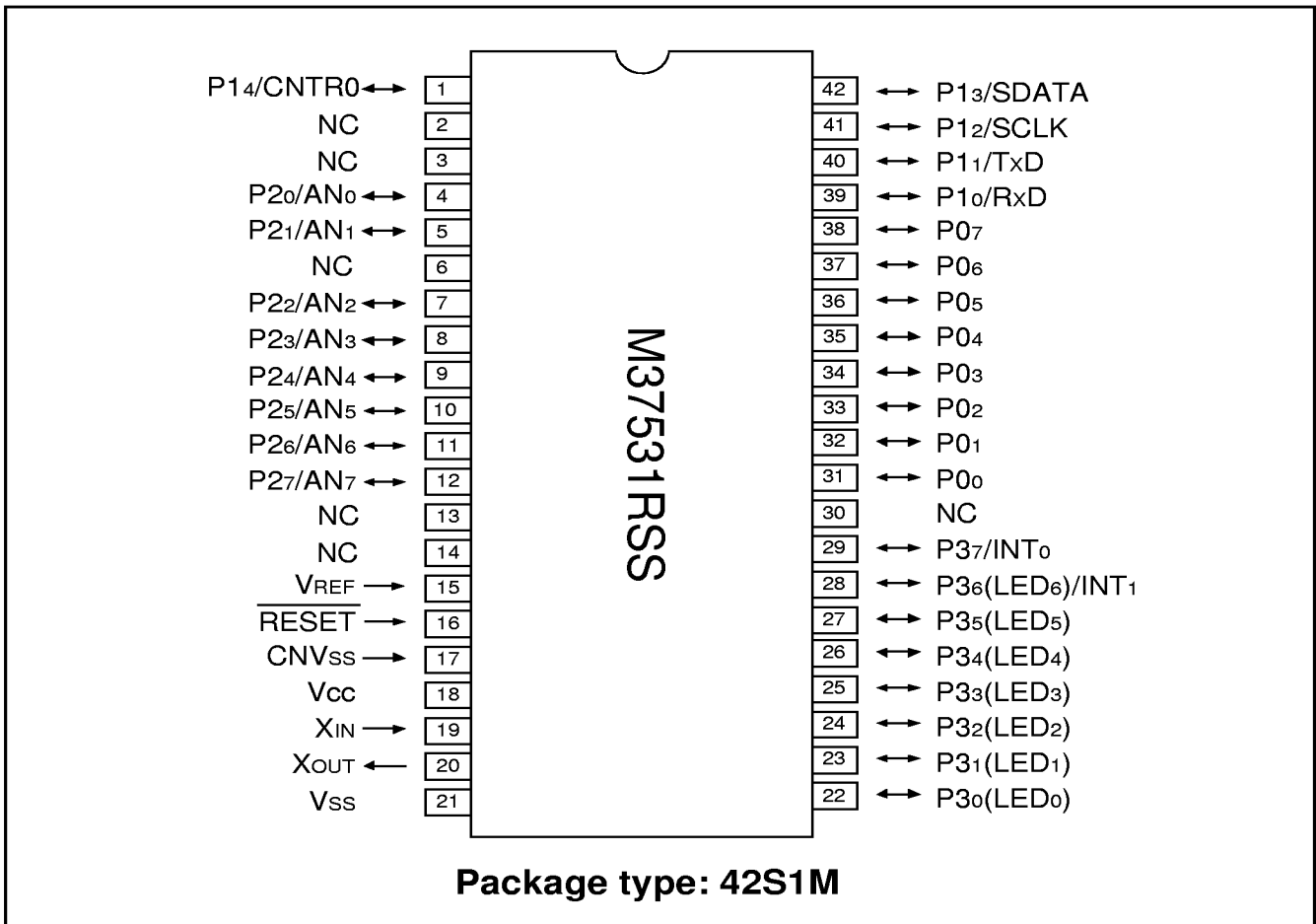


Fig. 4 Pin configuration (42S1M package type)

FUNCTIONAL BLOCK

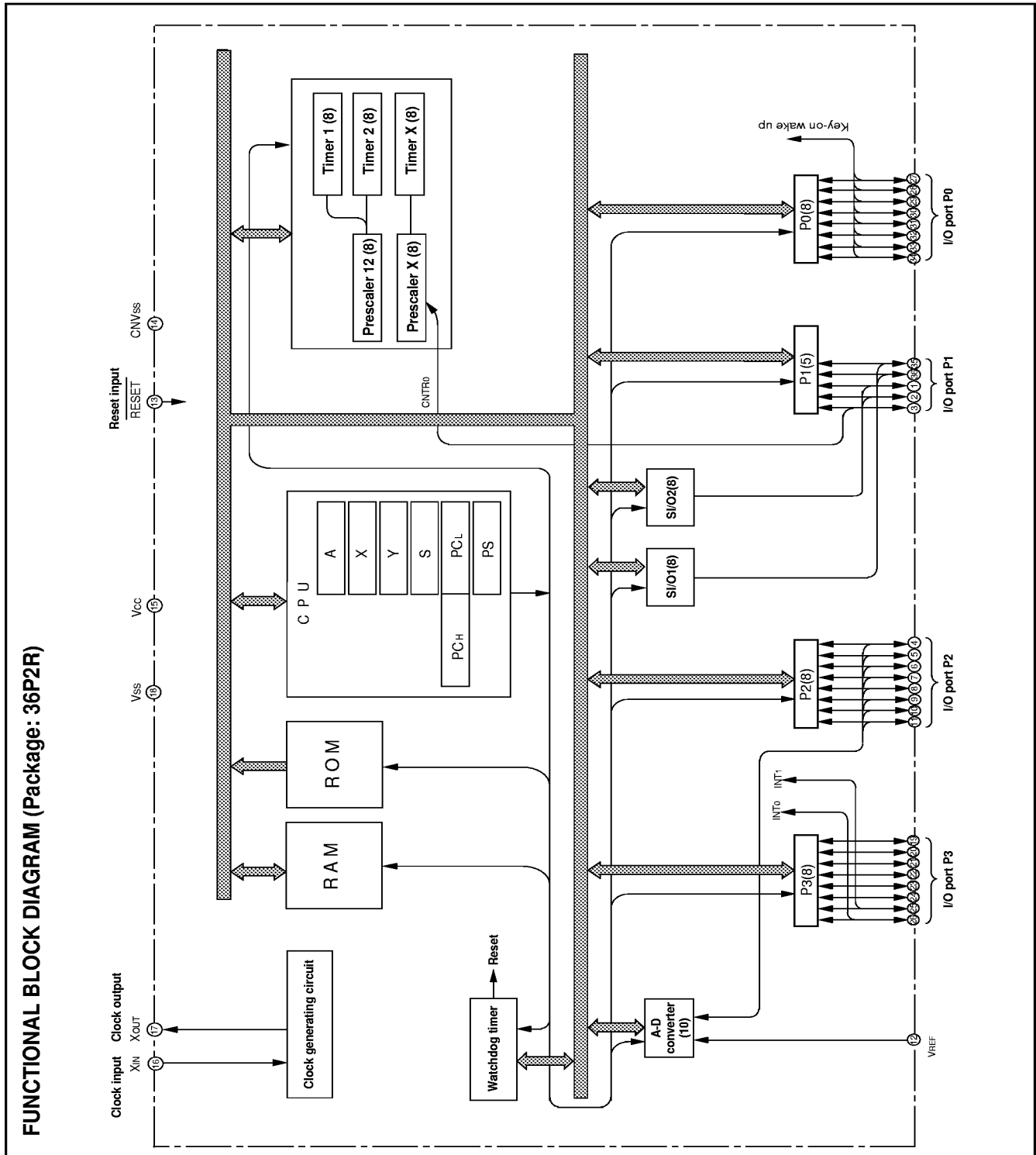


Fig. 5 Functional block diagram (36P2R package)



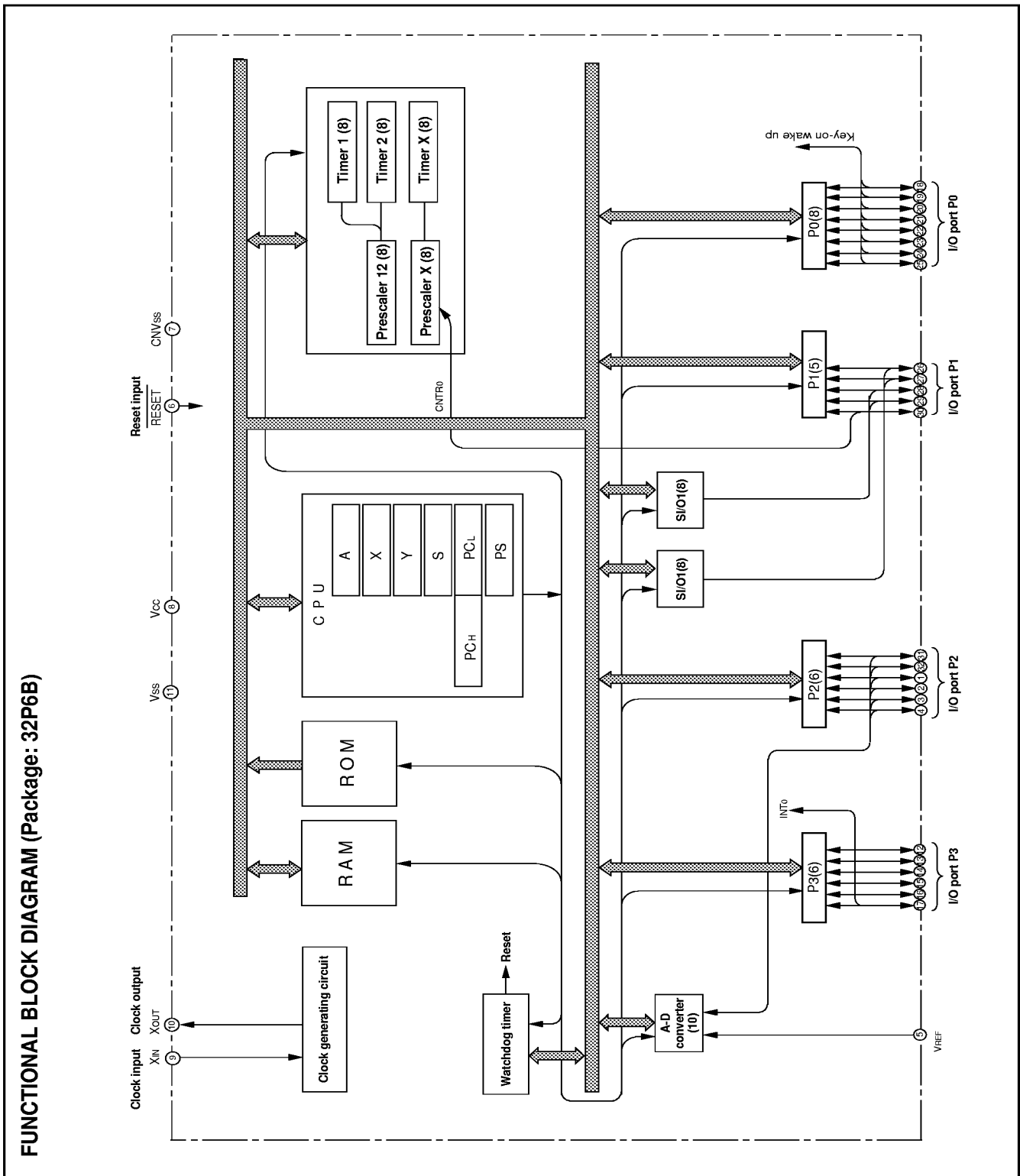


Fig. 6 Functional block diagram (32P6B package)



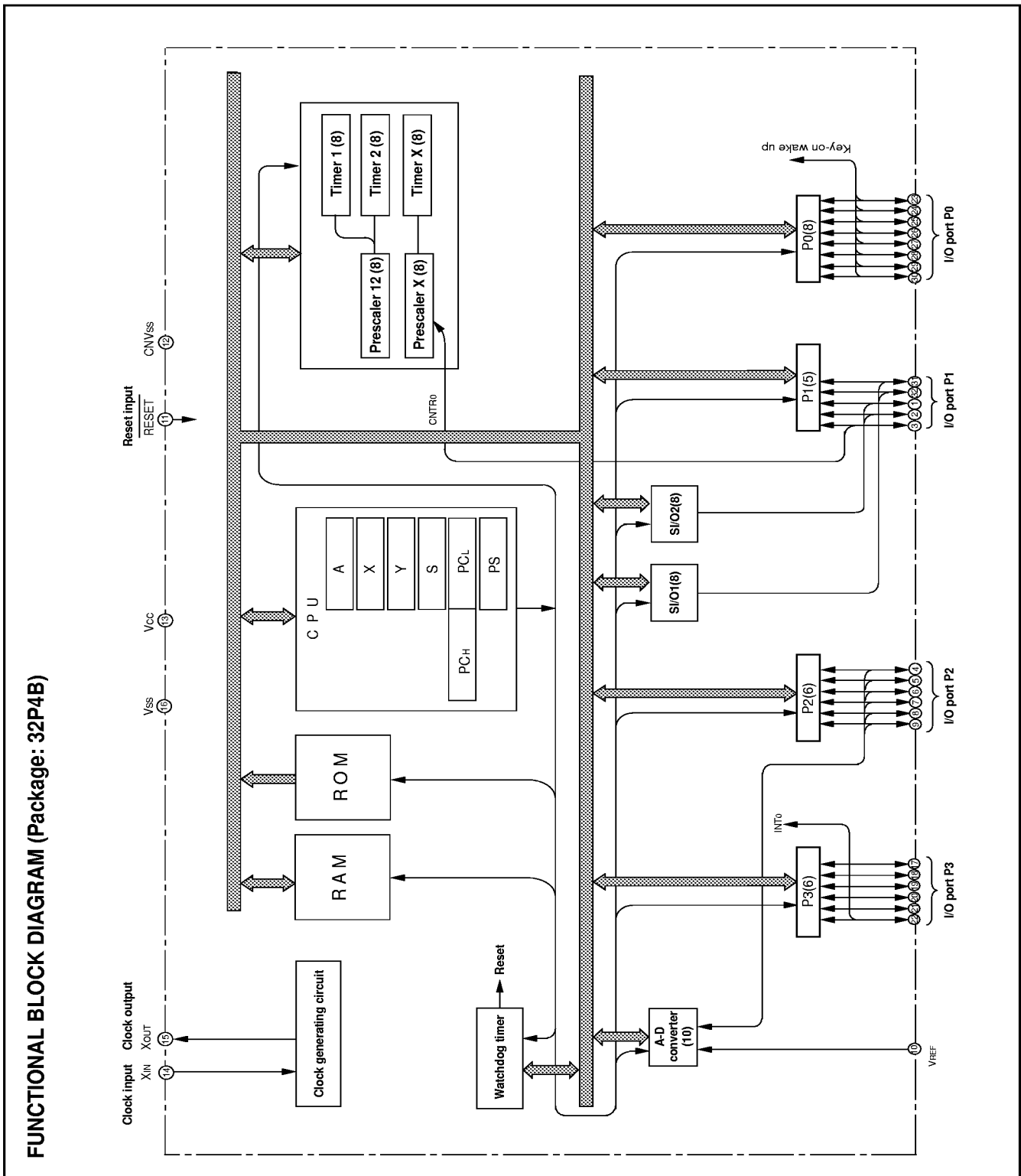


Fig. 7 Functional block diagram (32P4B package)

PIN DESCRIPTION

Table 1 Pin description

Pin	Name	Function	Function expect a port function
Vcc, Vss	Power source	•Apply voltage of 2.2–5.5 V to Vcc, and 0 V to Vss.	
VREF	Analog reference voltage	•Reference voltage input pin for A-D converter	
CNVss	CNVss	•Chip operating mode control pin, which is always connected to Vss.	
RESET	Reset input	•Reset input pin for active “L”	
XIN	Clock input	•Input and output pins for main clock generating circuit •Connect a ceramic resonator or quartz crystal oscillator between the XIN and XOUT pins.	
XOUT	Clock output	•For using CR oscillator, short between the XIN and XOUT pins, and connect the capacitor and resistor. •If an external clock is used, connect the clock source to the XIN pin and leave the XOUT pin open.	
P00–P07	I/O port P0	•8-bit I/O port. •I/O direction register allows each pin to be individually programmed as either input or output. •CMOS compatible input level •CMOS 3-state output structure •Whether a built-in pull-up resistor is to be used or not can be determined by program.	•Key-input (key-on wake up interrupt input) pins
P10/RxD P11/TxD P12/SCLK P13/SDATA P14/CNTR0	I/O port P1	•5-bit I/O port •I/O direction register allows each pin to be individually programmed as either input or output. •CMOS compatible input level •CMOS 3-state output structure •CMOS/TTL level can be switched for P10, P12 and P13	•Serial I/O1 function pin •Serial I/O2 function pin •Timer X function pin
P20/AN0– P27/AN7	I/O port P2	•8-bit I/O port having almost the same function as P0 •CMOS compatible input level •CMOS 3-state output structure	•Input pins for A-D converter
P30–P35 P36/INT1 P37/INT0	I/O port P3	•8-bit I/O port •I/O direction register allows each pin to be individually programmed as either input or output. •CMOS compatible input level (CMOS/TTL level can be switched for P36 and P37). •CMOS 3-state output structure •P30 to P36 can output a large current for driving LED. •Whether a built-in pull-up resistor is to be used or not can be determined by program.	•Interrupt input pins

GROUP EXPANSION

Mitsubishi plans to expand the 7531 group as follow:

Memory type

Support for Mask ROM version, One Time PROM version, and Emulator MCU .

Memory size

ROM/PROM size 8 K to 16 K bytes
RAM size 256 to 384 bytes

Package

32P4B 32 pin shrink plastic molded DIP
32P6B-A 0.8 mm-pitch plastic molded QFP
36P2R-A 0.8 mm-pitch plastic molded SOP
42S1M 42 pin shrink ceramic PIGGY BACK

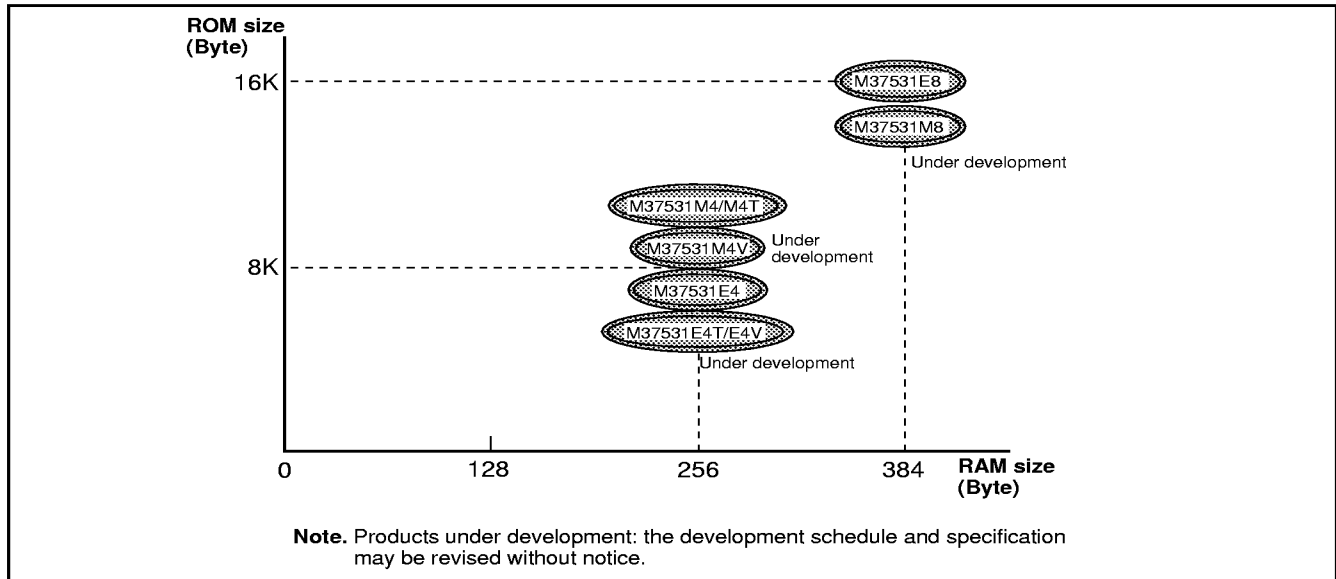


Fig. 8 Memory expansion plan

Currently supported products are listed below.

Table 2 List of supported products

Product	(P) ROM size (bytes) ROM size for User ()	RAM size (bytes)	Package	Remarks
M37531M4-XXXSP	8192 (8062)	256	32P4B	Mask ROM version
M37531E4SP				One Time PROM version (blank)
M37531M4-XXXFP			36P2R-A	Mask ROM version
M37531E4FP				One Time PROM version (blank)
M37531M4-XXXGP			32P6B-A	Mask ROM version
M37531M4T-XXXGP				Mask ROM version (extended operating temperature version)
M37531M4V-XXXGP				Mask ROM version (extended operating temperature 125 °C version)
M37531E4GP				One Time PROM version (blank)
M37531E4T-XXXGP				One Time PROM version (shipped after writing, extended operating temperature version)
M37531E4V-XXXGP				One Time PROM version (shipped after writing, extended operating temperature 125 °C version)
M37531M8-XXXSP	16384 (16254)	384	32P4B	Mask ROM version
M37531E8SP				One Time PROM version (blank)
M37531M8-XXXFP			36P2R-A	Mask ROM version
M37531E8FP				One Time PROM version (blank)
M37531M8-XXXGP			32P6B-A	Mask ROM version
M37531RSS			42S1M	Emulator MCU



FUNCTIONAL DESCRIPTION

Central Processing Unit (CPU)

The 7531 Group uses the standard 740 family instruction set. Refer to the table of 740 family addressing modes and machine-language instructions or the 740 Family Software MANUAL for details on each instruction set.

Machine-resident 740 family instructions are as follows:

1. The FST and SLW instructions cannot be used.
2. The MUL and DIV instructions cannot be used.
3. The WIT instruction can be used.
4. The STP instruction can be used.

[CPU Mode Register] CPUM

The CPU mode register contains the stack page selection bit. This register is allocated at address 003B₁₆.

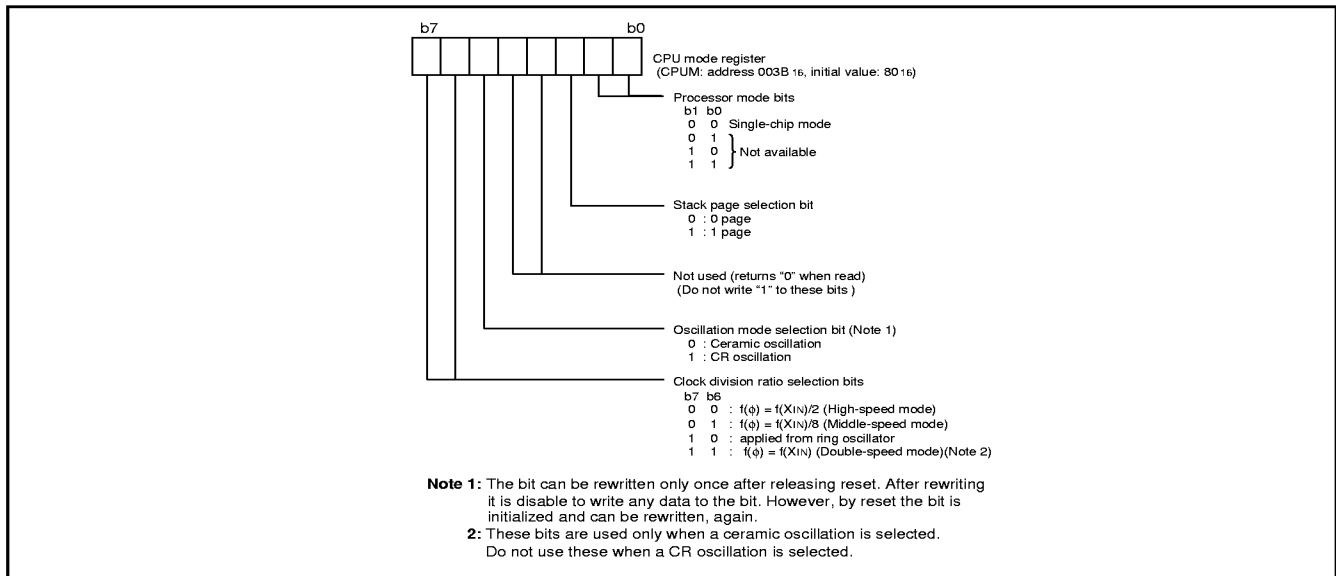


Fig. 9 Structure of CPU mode register

Switching method of CPU mode register

Switch the CPU mode register (CPUM) at the head of program after releasing Reset in the following method.

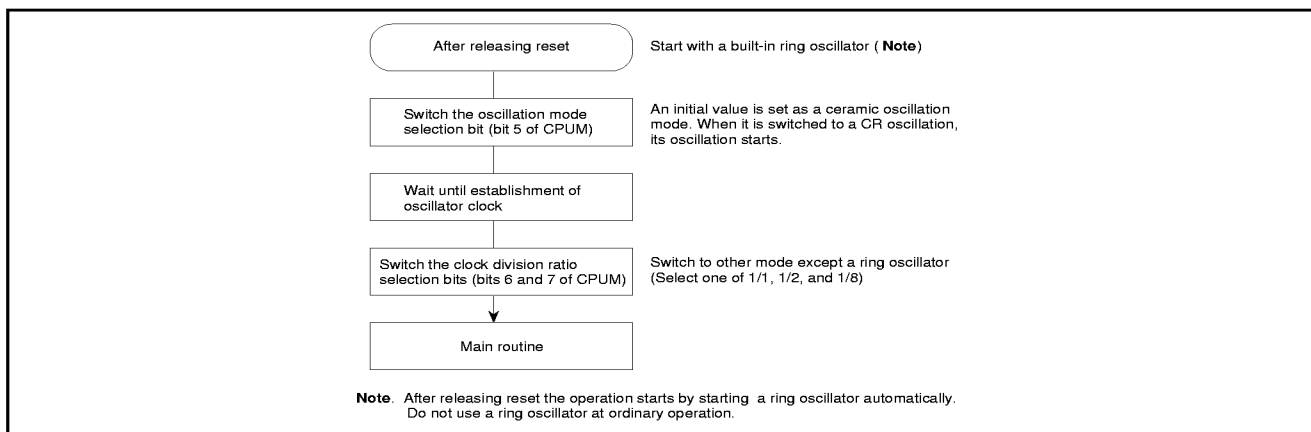


Fig. 10 Switching method of CPU mode register

Memory

Special function register (SFR) area

The SFR area in the zero page contains control registers such as I/O ports and timers.

RAM

RAM is used for data storage and for a stack area of subroutine calls and interrupts.

ROM

The first 128 bytes and the last 2 bytes of ROM are reserved for device testing and the rest is a user area for storing programs.

Interrupt vector area

The interrupt vector area contains reset and interrupt vectors.

Zero page

The 256 bytes from addresses 0000₁₆ to 00FF₁₆ are called the zero page area. The internal RAM and the special function registers (SFR) are allocated to this area.

The zero page addressing mode can be used to specify memory and register addresses in the zero page area. Access to this area with only 2 bytes is possible in the zero page addressing mode.

Special page

The 256 bytes from addresses FF00₁₆ to FFFF₁₆ are called the special page area. The special page addressing mode can be used to specify memory addresses in the special page area. Access to this area with only 2 bytes is possible in the special page addressing mode.

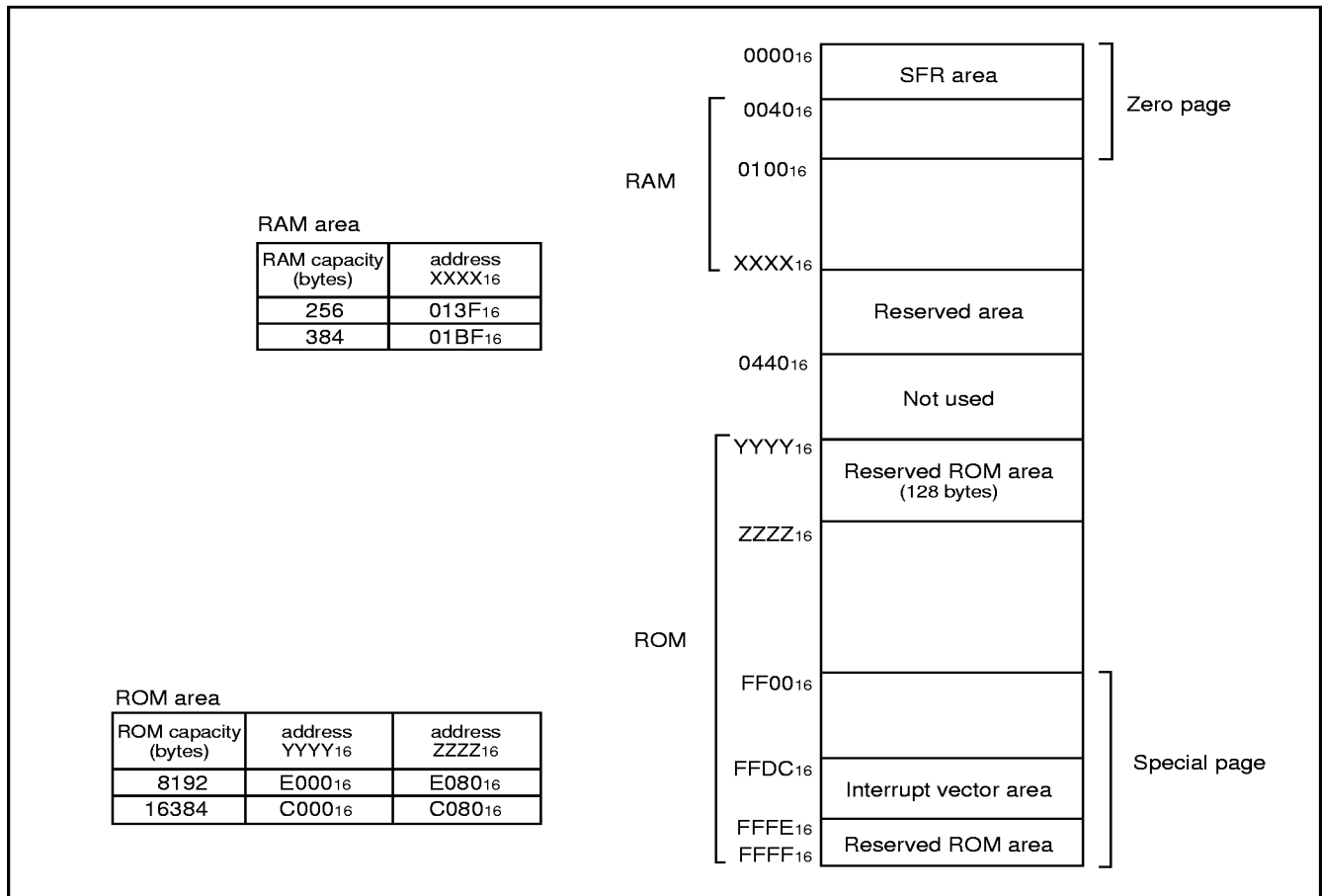


Fig. 11 Memory map diagram

0000 ₁₆	Port P0 (P0)	0020 ₁₆	
0001 ₁₆	Port P0 direction register (P0D)	0021 ₁₆	
0002 ₁₆	Port P1 (P1)	0022 ₁₆	
0003 ₁₆	Port P1 direction register (P1D)	0023 ₁₆	
0004 ₁₆	Port P2 (P2)	0024 ₁₆	
0005 ₁₆	Port P2 direction register (P2D)	0025 ₁₆	
0006 ₁₆	Port P3 (P3)	0026 ₁₆	
0007 ₁₆	Port P3 direction register (P3D)	0027 ₁₆	
0008 ₁₆		0028 ₁₆	Prescaler 12 (PRE12)
0009 ₁₆		0029 ₁₆	Timer 1 (T1)
000A ₁₆		002A ₁₆	Timer 2 (T2)
000B ₁₆		002B ₁₆	Timer X mode register (TM)
000C ₁₆		002C ₁₆	Prescaler X (PREX)
000D ₁₆		002D ₁₆	Timer X (TX)
000E ₁₆		002E ₁₆	Timer count source set register (TCSS)
000F ₁₆		002F ₁₆	
0010 ₁₆		0030 ₁₆	Serial I/O2 control register (SIO2CON)
0011 ₁₆		0031 ₁₆	Serial I/O2 register (SIO2)
0012 ₁₆		0032 ₁₆	
0013 ₁₆		0033 ₁₆	
0014 ₁₆		0034 ₁₆	A-D control register (ADCON)
0015 ₁₆		0035 ₁₆	A-D conversion register (low-order) (ADL)
0016 ₁₆	Pull-up control register (PULL)	0036 ₁₆	A-D conversion register (high-order) (ADH)
0017 ₁₆	Port P1/P3 control register (P1P3C)	0037 ₁₆	
0018 ₁₆	Transmit/Receive buffer register (TB/RB)	0038 ₁₆	MISRG
0019 ₁₆	Serial I/O1 status register (SIO1STS)	0039 ₁₆	Watchdog timer control register (WDTCN)
001A ₁₆	Serial I/O1 control register (SIO1CON)	003A ₁₆	Interrupt edge selection register (INTEGE)
001B ₁₆	UART control register (UARTCON)	003B ₁₆	CPU mode register (CPUM)
001C ₁₆	Baud rate generator (BRG)	003C ₁₆	Interrupt request register 1 (IREQ1)
001D ₁₆		003D ₁₆	
001E ₁₆		003E ₁₆	Interrupt control register 1 (ICON1)
001F ₁₆		003F ₁₆	

Note : Do not access to the SFR area including nothing.

Fig. 12 Memory map of special function register (SFR)

I/O Ports

[Direction registers] PiD

The I/O ports have direction registers which determine the input/output direction of each pin. Each bit in a direction register corresponds to one pin, and each pin can be set to be input or output.

When "1" is set to the bit corresponding to a pin, this pin becomes an output port. When "0" is set to the bit, the pin becomes an input port. When data is read from a pin set to output, not the value of the pin itself but the value of port latch is read. Pins set to input are floating, and permit reading pin values.

If a pin set to input is written to, only the port latch is written to and the pin remains floating.

[Pull-up control] PULL

By setting the pull-up control register (address 0016₁₆), ports P0 and P3 can exert pull-up control by program. However, pins set to output are disconnected from this control and cannot exert pull-up control.

[Port P1P3 control] P1P3C

By setting the port P1P3 control register (address 0017₁₆), a CMOS input level or a TTL input level can be selected for ports P1₀, P1₂, P1₃, P3₆, and P3₇ by program.

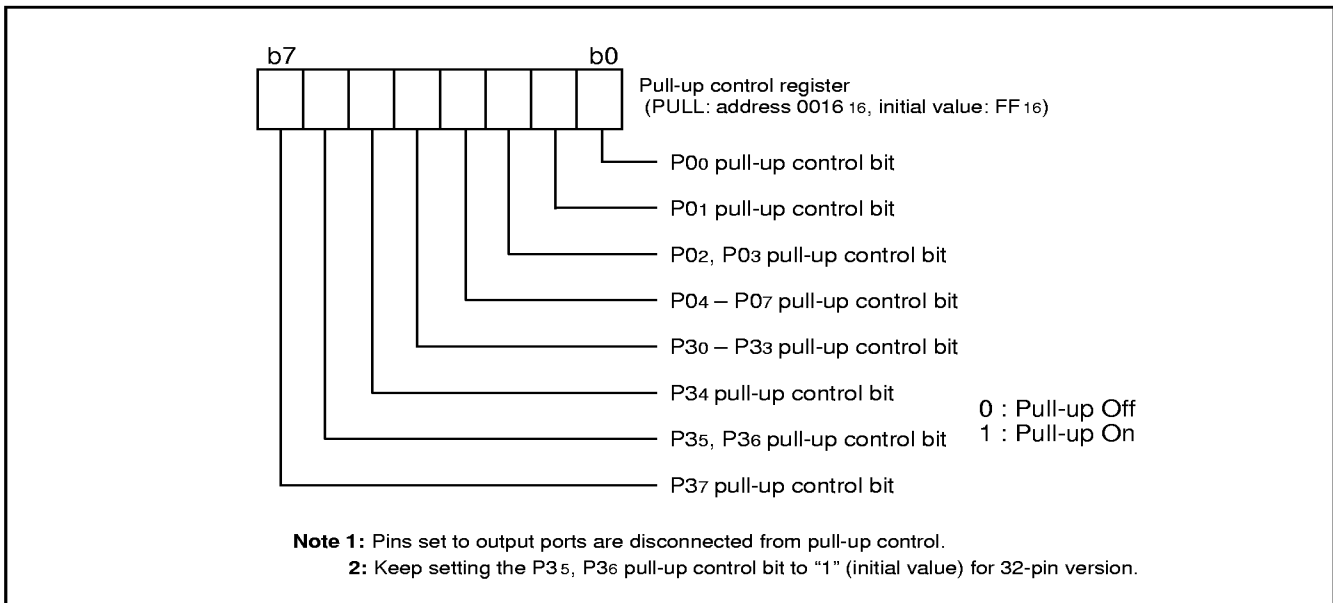


Fig. 13 Structure of pull-up control register

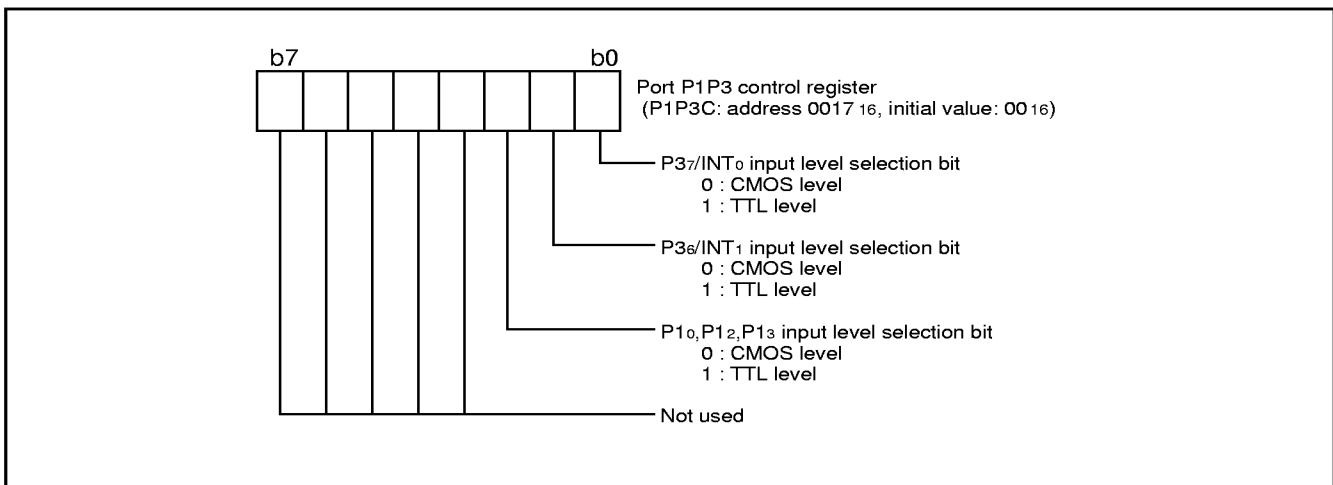


Fig. 14 Structure of port P1P3 control register



Table 3 I/O port function table

Pin	Name	Input/output	I/O format	Non-port function	Related SFRs	Diagram No.
P0 ₀ –P0 ₇	I/O port P0	I/O individual bits	•CMOS compatible input level •CMOS 3-state output (Note)	Key input interrupt	Pull-up control register	(1)
P1 ₀ /RxD P1 ₁ /TxD	I/O port P1			Serial I/O1 function input/output	Serial I/O1 control register	(2)
P1 ₂ /SCLK P1 ₃ /SDATA	I/O port P1			Serial I/O2 function input/output	Serial I/O2 control register	(4)
P1 ₄ /CNTR ₀				Timer X function input/output	Timer X mode register	(6)
P2 ₀ /AN ₀ – P2 ₇ /AN ₇				I/O port P2	A-D conversion input	A-D control register
P3 ₀ –P3 ₅	I/O port P3					(8)
P3 ₆ /INT ₁ P3 ₇ /INT ₀				External interrupt input	Interrupt edge selection register	(9)

Note: Ports P1₀, P1₂, P1₃, P3₆, and P3₇ are CMOS/TTL level.

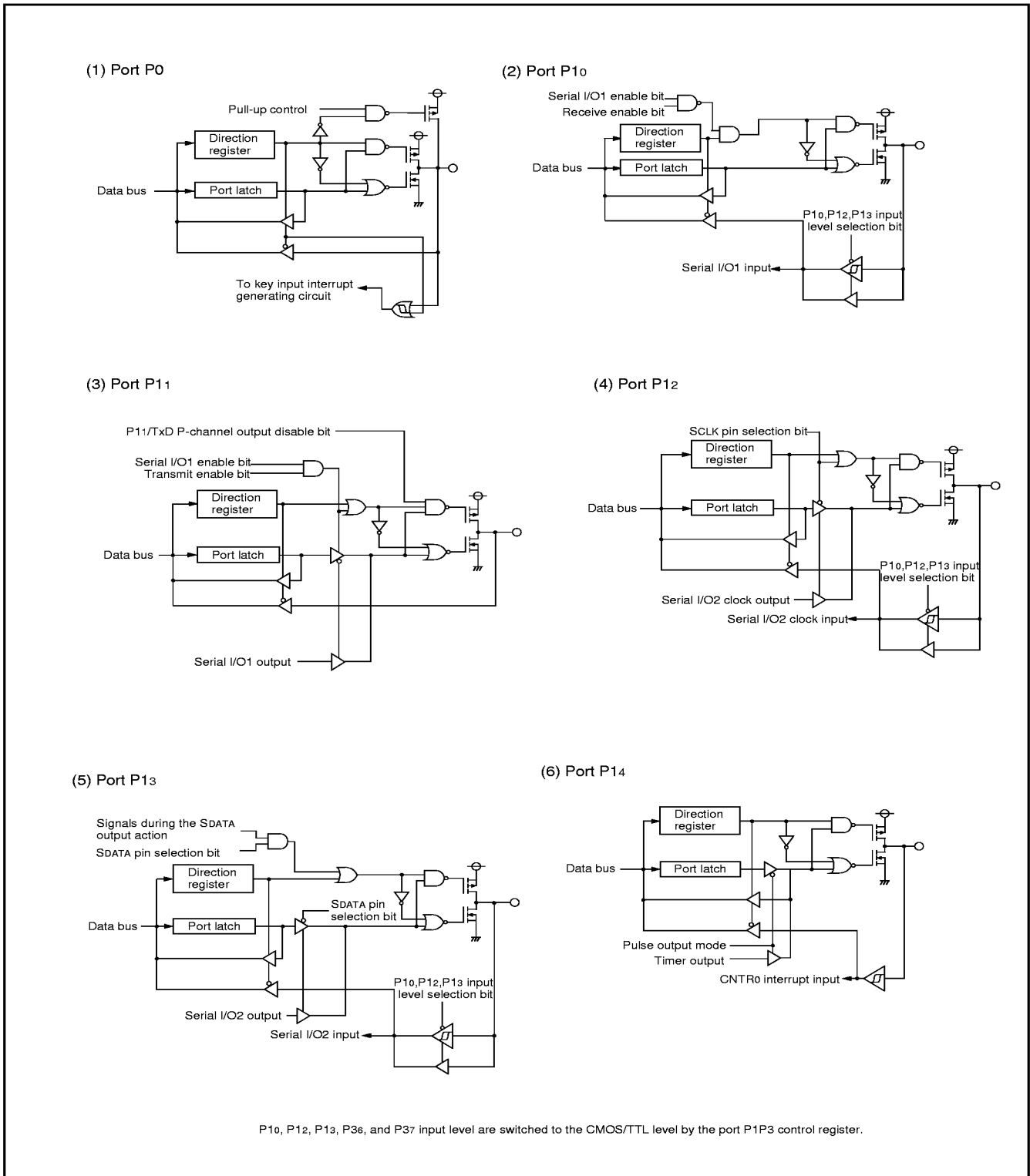


Fig. 15 Block diagram of ports (1)

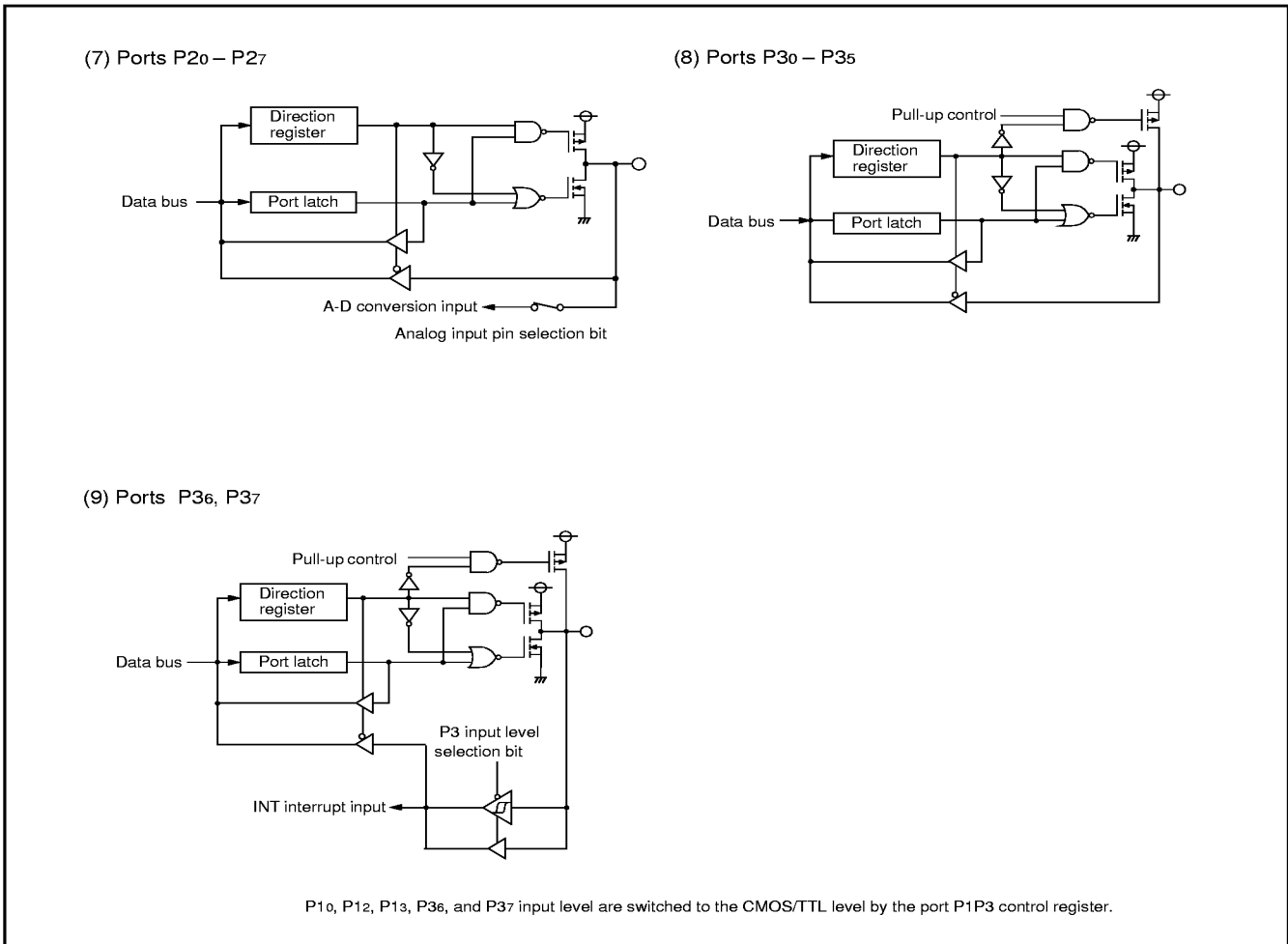


Fig. 16 Block diagram of ports (2)

Interrupts

Interrupts occur by 12 different sources : 4 external sources, 7 internal sources and 1 software source.

Interrupt control

All interrupts except the BRK instruction interrupt have an interrupt request bit and an interrupt enable bit, and they are controlled by the interrupt disable flag. When the interrupt enable bit and the interrupt request bit are set to "1" and the interrupt disable flag is set to "0", an interrupt is accepted.

The interrupt request bit can be cleared by program but not be set. The interrupt enable bit can be set and cleared by program.

It becomes usable by switching CNTR0 and AD conversion interrupt sources with bit 7 of the interrupt edge selection register, timer 2 and serial I/O2 interrupt sources with bit 6, timer X and key-on wake-up interrupt sources with bit 5, and serial I/O1 transmit and INT1 interrupt sources with bit 4.

The reset and BRK instruction interrupt can never be disabled with any flag or bit. All interrupts except these are disabled when the interrupt disable flag is set.

When several interrupts occur at the same time, the interrupts are received according to priority.

Interrupt operation

Upon acceptance of an interrupt the following operations are automatically performed:

1. The processing being executed is stopped.
2. The contents of the program counter and processor status register are automatically pushed onto the stack.
3. The interrupt disable flag is set and the corresponding interrupt request bit is cleared.
4. Concurrently with the push operation, the interrupt destination address is read from the vector table into the program counter.

Notes on use

When the active edge of an external interrupt (INT0, INT1, CNTR0) is set, the interrupt request bit may be set.

Therefore, please take following sequence:

1. Disable the external interrupt which is selected.
2. Change the active edge in interrupt edge selection register. (in case of CNTR0: Timer X mode register)
3. Clear the set interrupt request bit to "0".
4. Enable the external interrupt which is selected.

Table 4 Interrupt vector address and priority

Interrupt source	Priority	Vector addresses (Note 1)		Interrupt request generating conditions	Remarks
		High-order	Low-order		
Reset (Note 2)	1	FFFD ₁₆	FFFC ₁₆	At reset input	Non-maskable
Serial I/O1 receive	2	FFFB ₁₆	FFFA ₁₆	At completion of serial I/O1 data receive	Valid when serial I/O1 is selected
Serial I/O1 transmit	3	FFF9 ₁₆	FFF8 ₁₆	At completion of serial I/O1 transmit shift or when transmit buffer is empty	Valid when serial I/O1 is selected
INT1 (Note 3)				At detection of either rising or falling edge of INT1 input	
INT0	4	FFF7 ₁₆	FFF6 ₁₆	At detection of either rising or falling edge of INT0 input	External interrupt (active edge selectable)
Timer X	5	FFF5 ₁₆	FFF4 ₁₆	At timer X underflow	External interrupt (valid at falling)
Key-on wake-up				At falling of conjunction of input logical level for port P0 (at input)	
Timer 1	6	FFF3 ₁₆	FFF2 ₁₆	At timer 1 underflow	STP release timer underflow
Timer 2	7	FFF1 ₁₆	FFF0 ₁₆	At timer 2 underflow	
Serial I/O2				At completion of transmit/receive shift	
CNTR0	8	FFEF ₁₆	FFEE ₁₆	At detection of either rising or falling edge of CNTR0 input	External interrupt (active edge selectable)
A-D conversion				At completion of A-D conversion	
BRK instruction	9	FFED ₁₆	FFEC ₁₆	At BRK instruction execution	Non-maskable software interrupt

Note 1: Vector addressed contain internal jump destination addresses.

2: Reset function in the same way as an interrupt with the highest priority.

3: It is an interrupt which can use only for 32 pin version.



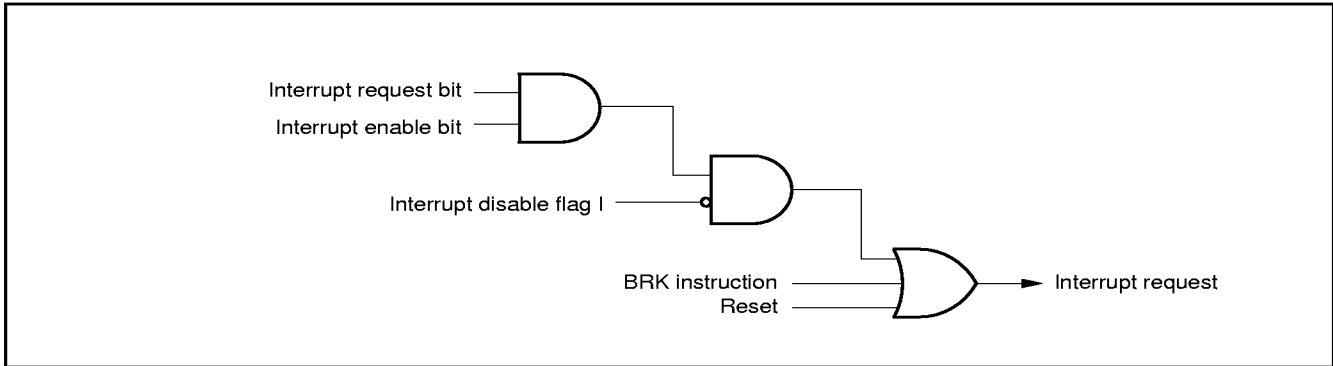


Fig. 17 Interrupt control

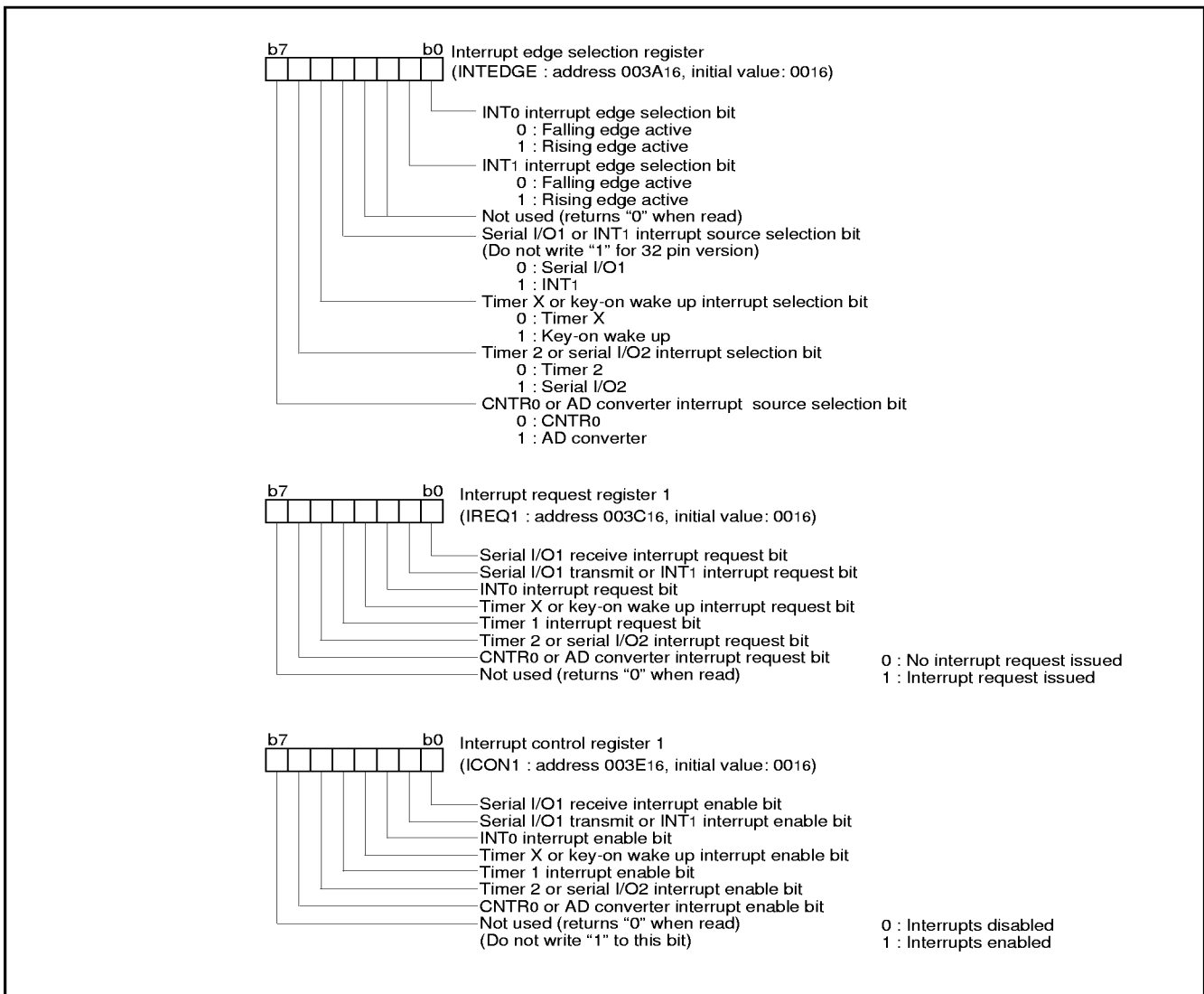


Fig. 18 Structure of Interrupt-related registers

Key Input Interrupt (Key-On Wake-Up)

A key-on wake-up interrupt request is generated by applying "L" level to any pin of port P0 that has been set to input mode.

In other words, it is generated when the AND of input level goes from "1" to "0". An example of using a key input interrupt is shown in Figure 19, where an interrupt request is generated by pressing one of the keys provided as an active-low key matrix which uses ports P0₀ to P0₄ as input ports.

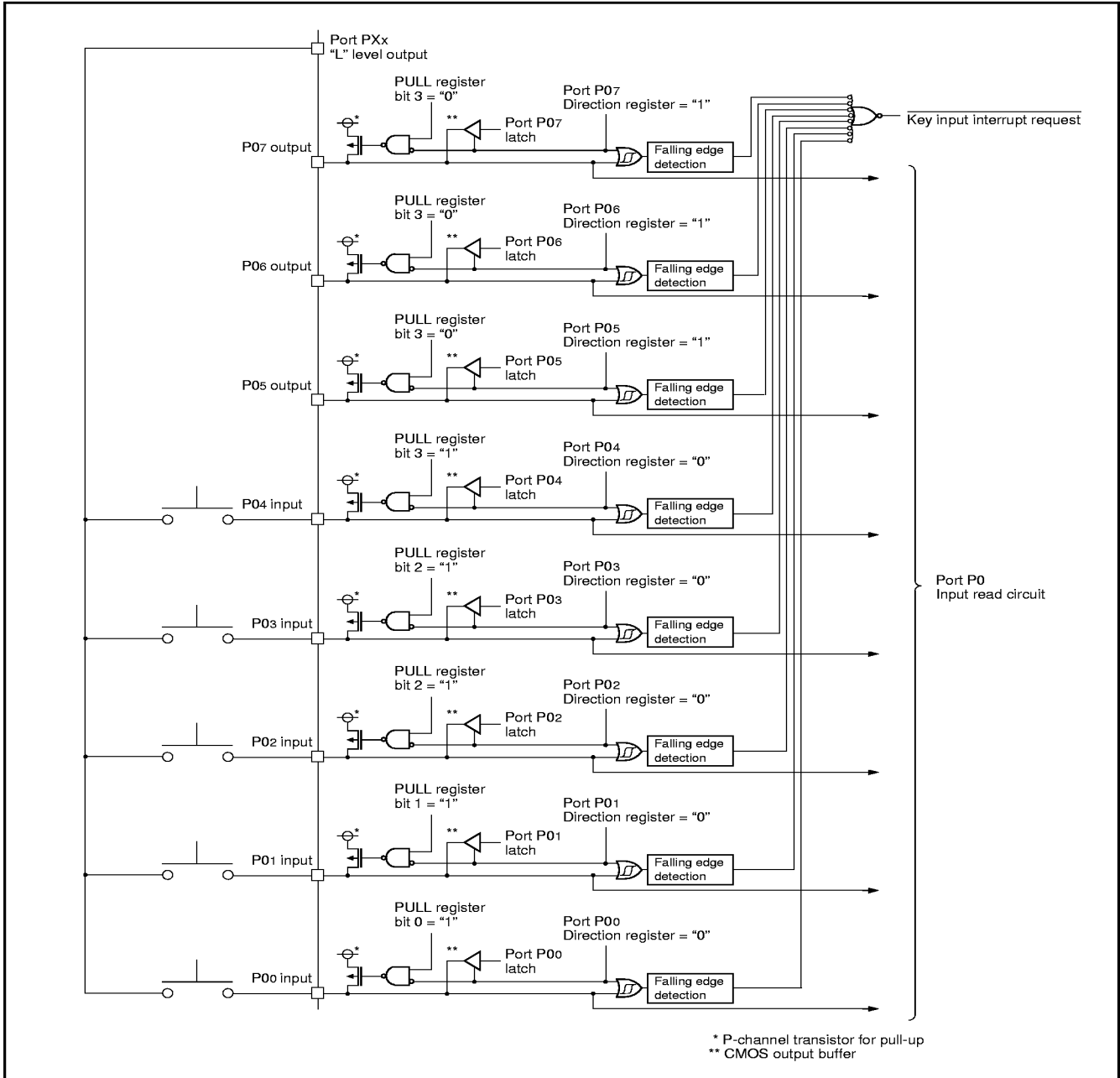


Fig. 19 Connection example when using key input interrupt and port P0 block diagram

Timers

The 7531 Group has 3 timers: timer X, timer 1 and timer 2.

The division ratio of every timer and prescaler is $1/(n+1)$ provided that the value of the timer latch or prescaler is n .

All the timers are down count timers. When a timer reaches "0", an underflow occurs at the next count pulse, and the corresponding timer latch is reloaded into the timer. When a timer underflows, the interrupt request bit corresponding to each timer is set to "1".

●Timer 1, Timer 2

Prescaler 12 always counts $f(X_{IN})/16$. Timer 1 and timer 2 always count the prescaler output and periodically sets the interrupt request bit.

●Timer X

Timer X can be selected in one of 4 operating modes by setting the timer X mode register.

• Timer Mode

The timer counts the signal selected by the timer X count source selection bit.

• Pulse Output Mode

The timer counts the signal selected by the timer X count source selection bit, and outputs a signal whose polarity is inverted each time the timer value reaches "0", from the CNTR₀ pin.

When the CNTR₀ active edge switch bit is "0", the output of the CNTR₀ pin is started with an "H" output.

At "1", this output is started with an "L" output. When using a timer in this mode, set the port P14 direction register to output mode.

• Event Counter Mode

The operation in the event counter mode is the same as that in the timer mode except that the timer counts the input signal from the CNTR₀ pin.

When the CNTR₀ active edge switch bit is "0", the timer counts the rising edge of the CNTR₀ pin. When this bit is "1", the timer counts the falling edge of the CNTR₀ pin.

• Pulse Width Measurement Mode

When the CNTR₀ active edge switch bit is "0", the timer counts the signal selected by the timer X count source selection bit while the CNTR₀ pin is "H". When this bit is "1", the timer counts the signal while the CNTR₀ pin is "L".

In any mode, the timer count can be stopped by setting the timer X count stop bit to "1". Each time the timer overflows, the interrupt request bit is set.

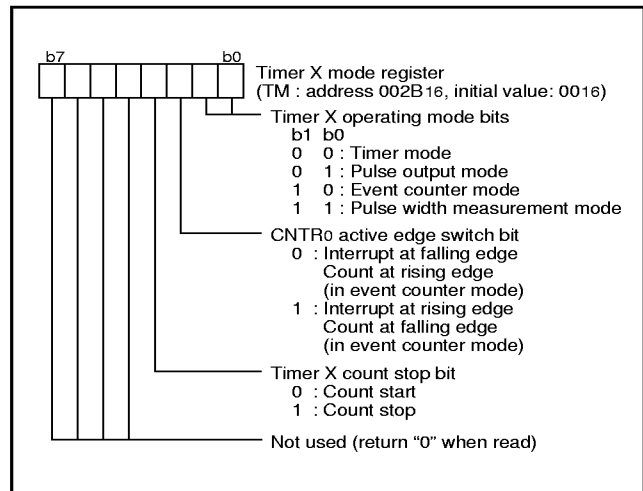


Fig. 20 Structure of timer X mode register

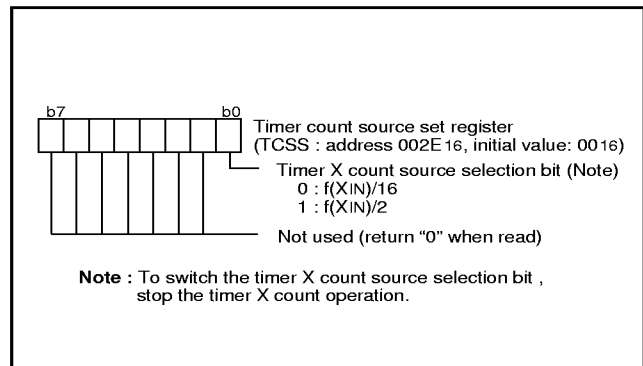


Fig. 21 Timer count source setting register

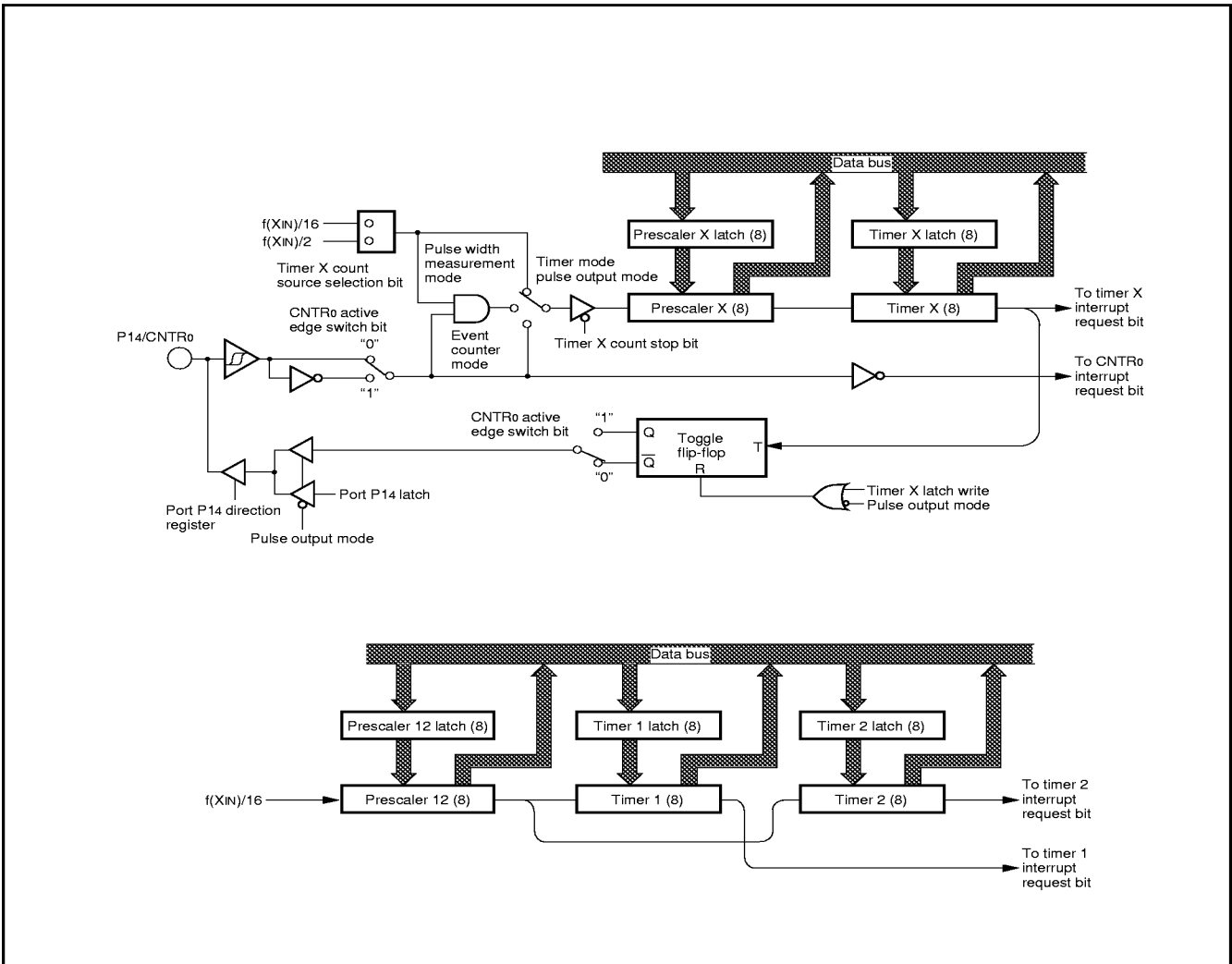


Fig. 22 Block diagram of timer X, timer 1 and timer 2

Serial I/O

● **Serial I/O1**

Serial I/O1 can be used as an asynchronous (UART) serial I/O. A dedicated timer (baud rate generator) is also provided for baud rate generation when serial I/O1 is in operation.

Eight serial data transfer formats can be selected, and the transfer formats to be used by a transmitter and a receiver must be identical. Each of the transmit and receive shift registers has a buffer register (the same address on memory). Since the shift register cannot be written to or read from directly, transmit data is written to the transmit

buffer, and receive data is read from the respective buffer registers. These buffer registers can also hold the next data to be transmitted and receive 2-byte receive data in succession.

By selecting "1" for continuous transmit valid bit (bit 2 of SIO1CON), continuous transmission of the same data is made possible.

This can be used as a simplified PWM.

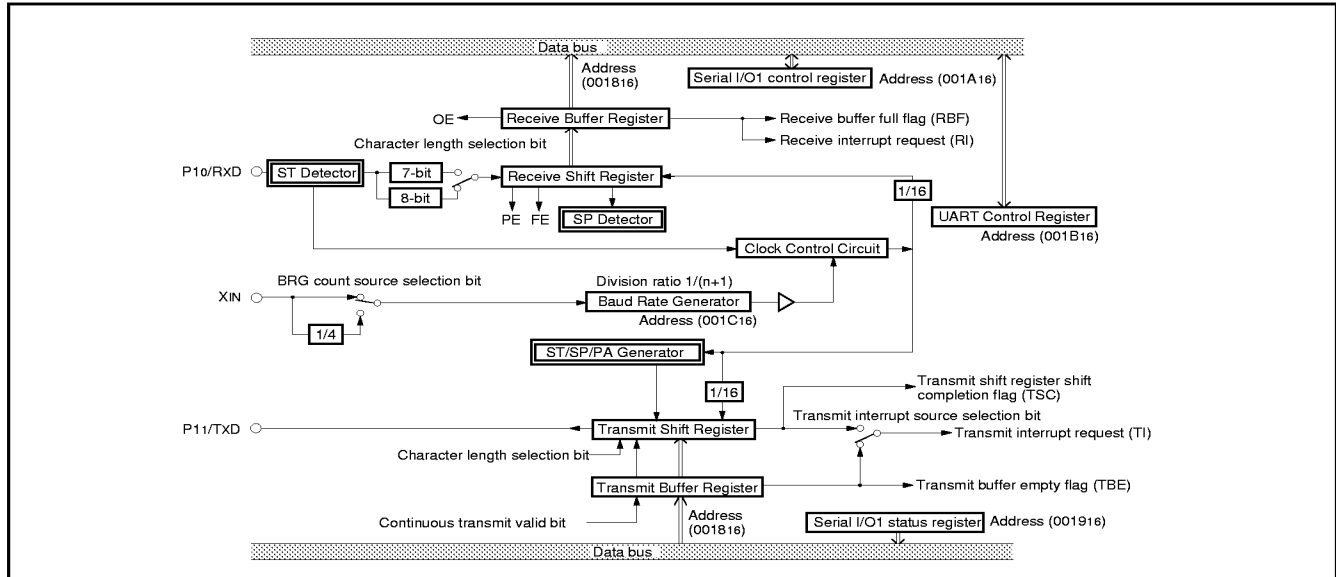


Fig. 23 Block diagram of UART serial I/O

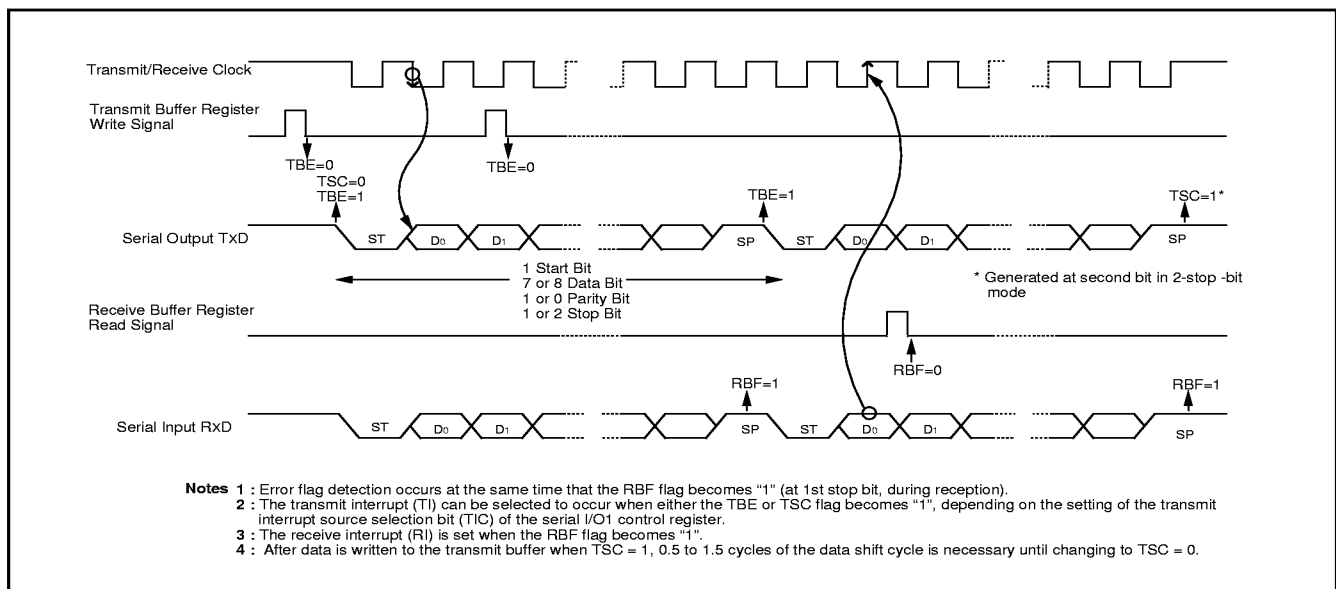


Fig. 24 Operation of UART serial I/O function

[Serial I/O1 control register] SIO1CON

The serial I/O1 control register consists of eight control bits for the serial I/O1 function.

[UART control register] UARTCON

The UART control register consists of four control bits (bits 0 to 3) which are valid when asynchronous serial I/O is selected and set the data format of an data transfer. One bit in this register (bit 4) is always valid and sets the output structure of the P11/TxD pin.

[Serial I/O1 status register] SIO1STS

The read-only serial I/O1 status register consists of seven flags (bits 0 to 6) which indicate the operating status of the serial I/O function and various errors.

The receive buffer full flag (bit 1) is cleared to "0" when the receive buffer is read.

If there is an error, it is detected at the same time that data is transferred from the receive shift register to the receive buffer, and the receive buffer full flag is set. A write to the serial I/O1 status register clears all the error flags OE, PE, FE, and SE (bit 3 to bit 6, respectively). Writing "11" to bits 7 and 6 of the serial I/O1 control register initializes this register.

All bits of the serial I/O1 status register are initialized to "81₁₆" at reset.

[Transmit/Receive buffer register] TB/RB

The transmit buffer and the receive buffer are located at the same address. The transmit buffer is write-only and the receive buffer is read-only. If a character bit length is 7-bit, the MSB of data stored in the receive buffer is "0".

[Baud Rate Generator] BRG

The baud rate generator determines the baud rate for serial transfer. The baud rate generator divides the frequency of the count source by $1/(n + 1)$, where n is the value written to the baud rate generator.

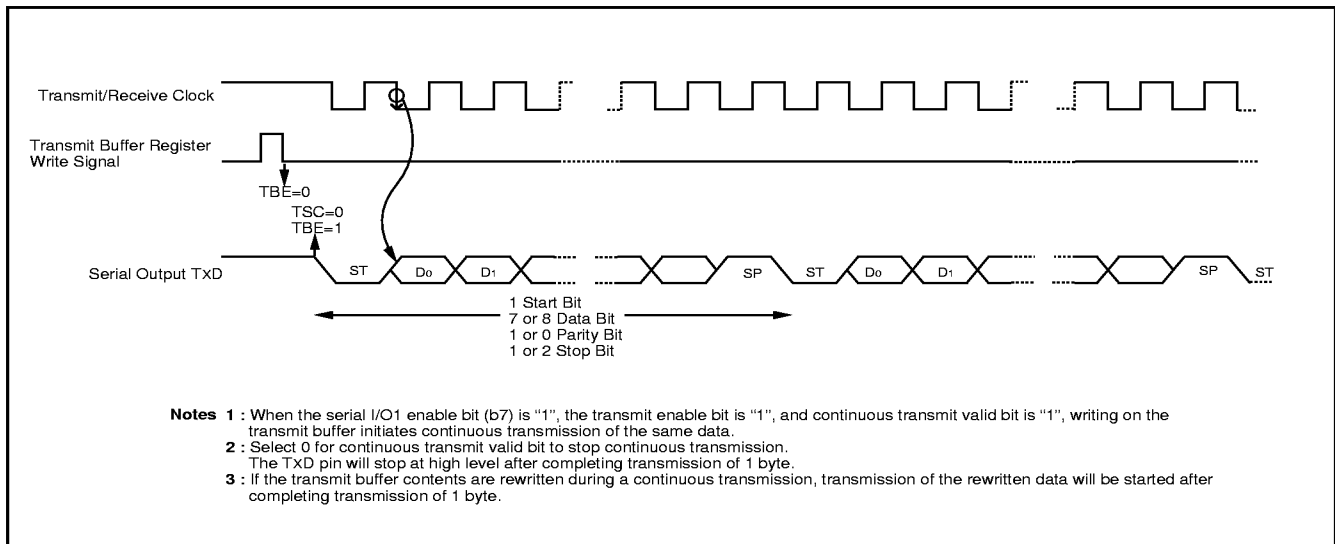


Fig. 25 Continuous transmission operation of UART serial I/O

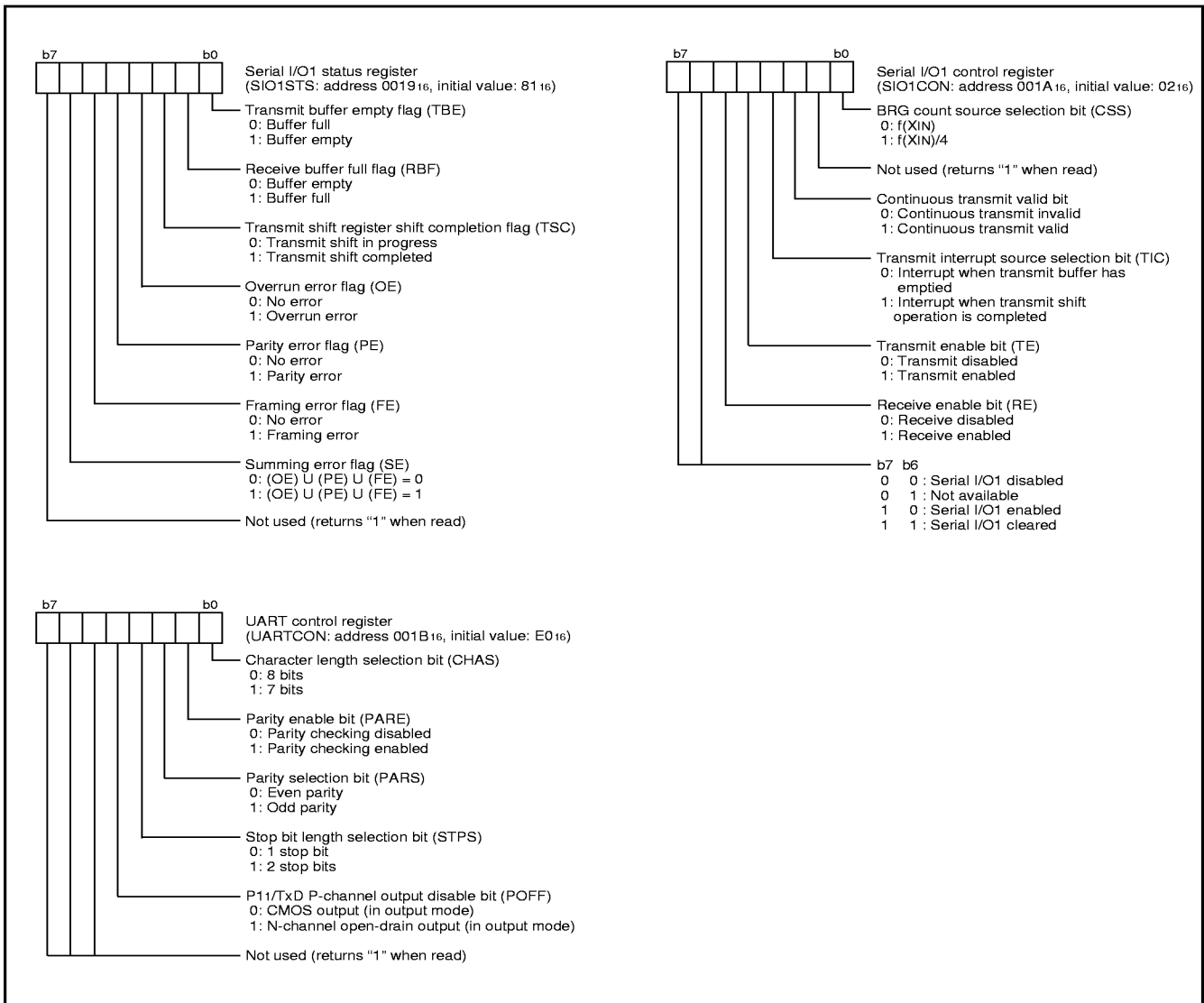


Fig. 26 Structure of serial I/O1-related registers (1)

●Serial I/O2

The serial I/O2 function can be used only for clock synchronous serial I/O.

For clock synchronous serial I/O2 the transmitter and the receiver must use the same clock. When the internal clock is used, transfer is started by a write signal to the serial I/O2 register.

[Serial I/O2 control register] SIO2CON

The serial I/O2 control register contains 8 bits which control various serial I/O functions.

- Set "0" to bit 3 to receive.
- At reception, clear bit 7 to "0" by writing a dummy data to the serial I/O2 register after completion of shift.
- Bit 7 is set to "1" a half cycle (of the shift clock) earlier than completion of shift operation. Accordingly, when using this bit to confirm shift completion, a half cycle or more of the shift clock must pass after confirming that this bit is set to "1", before performing read/write to the serial I/O2 register.

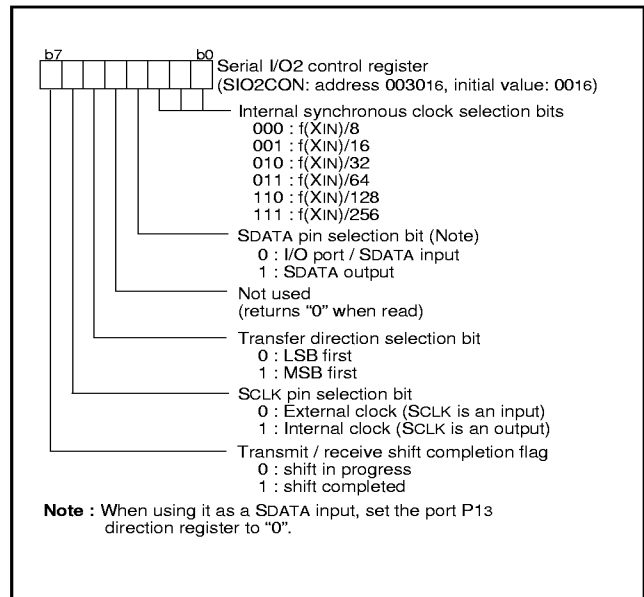


Fig. 27 Structure of serial I/O2 control registers

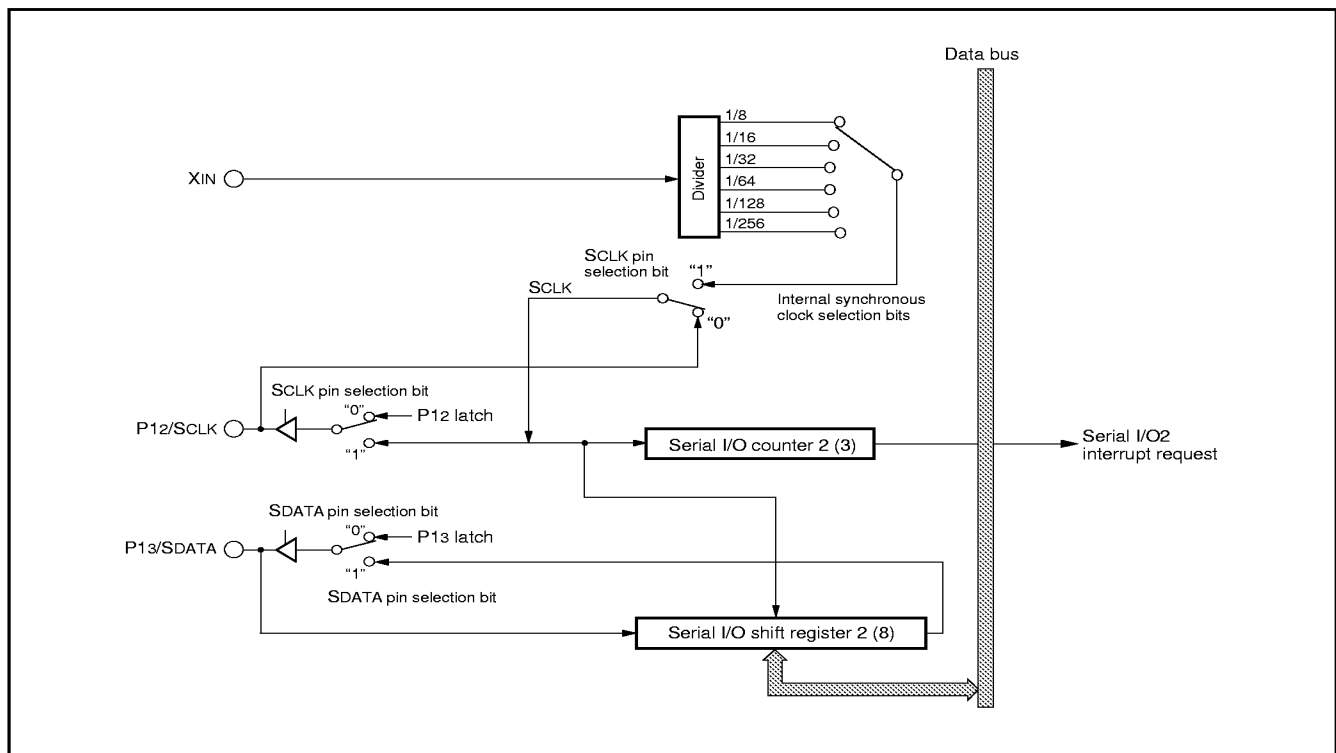


Fig. 28 Block diagram of serial I/O2

Serial I/O2 operation

By writing to the serial I/O2 register (address 003116) the serial I/O2 counter is set to "7".

After writing, the SDATA pin outputs data every time the transfer clock shifts from a high to a low level. And, as the transfer clock shifts from a low to a high, the SDATA pin reads data, and at the same time the contents of the serial I/O2 register are shifted by 1 bit.

When the internal clock is selected as the transfer clock source, the following operations execute as the transfer clock counts up to 8.

- Serial I/O2 counter is cleared to "0".
- Transfer clock stops at an "H" level.
- Interrupt request bit is set.
- Shift completion flag is set.

Also, the SDATA pin is in a high impedance state after the data transfer is complete.

When the external clock is selected as the transfer clock source, the interrupt request bit is set as the transfer clock counts up to 8, but external control of the clock is required since it does not stop. Notice that the SDATA pin is not in a high impedance state on the completion of data transfer.

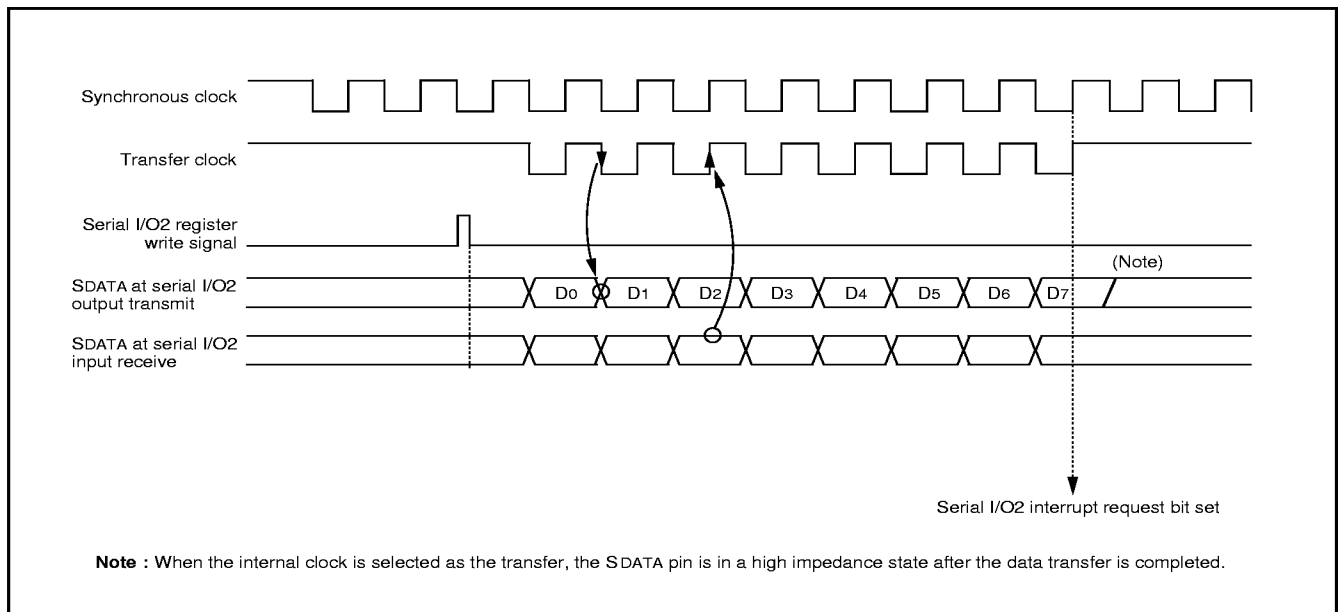


Fig. 29 Serial I/O2 timing (LSB first)

A-D Converter

The functional blocks of the A-D converter are described below.

[A-D conversion register] AD

The A-D conversion register is a read-only register that stores the result of A-D conversion. Do not read out this register during an A-D conversion.

[A-D control register] ADCON

The A-D control register controls the A-D converter. Bit 2 to 0 are analog input pin selection bits. Bit 4 is the AD conversion completion bit. The value of this bit remains at "0" during A-D conversion, and changes to "1" at completion of A-D conversion. A-D conversion is started by setting this bit to "0".

[Comparison voltage generator]

The comparison voltage generator divides the voltage between AVSS and VREF by 1024, and outputs the divided voltages.

[Channel Selector]

The channel selector selects one of ports P27/AN7 to P20/AN0, and inputs the voltage to the comparator.

[Comparator and control circuit]

The comparator and control circuit compares an analog input voltage with the comparison voltage and stores its result into the A-D conversion register. When A-D conversion is completed, the control circuit sets the AD conversion completion bit and the AD interrupt request bit to "1". Because the comparator is constructed linked to a capacitor, set f(XIN) to 500 kHz or more during A-D conversion.

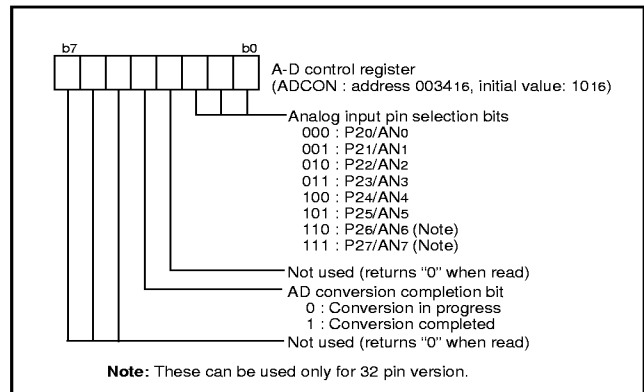


Fig. 30 Structure of A-D control register

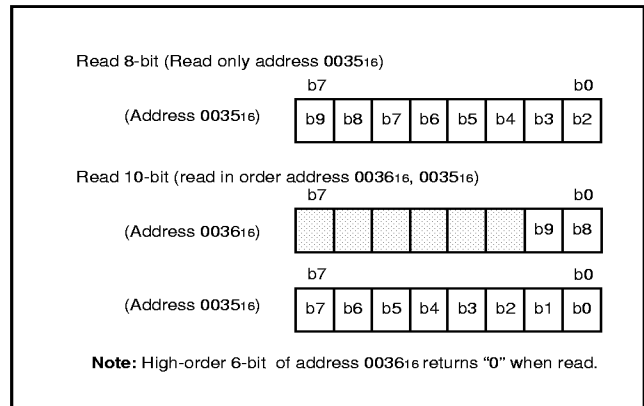


Fig. 31 Structure of A-D conversion register

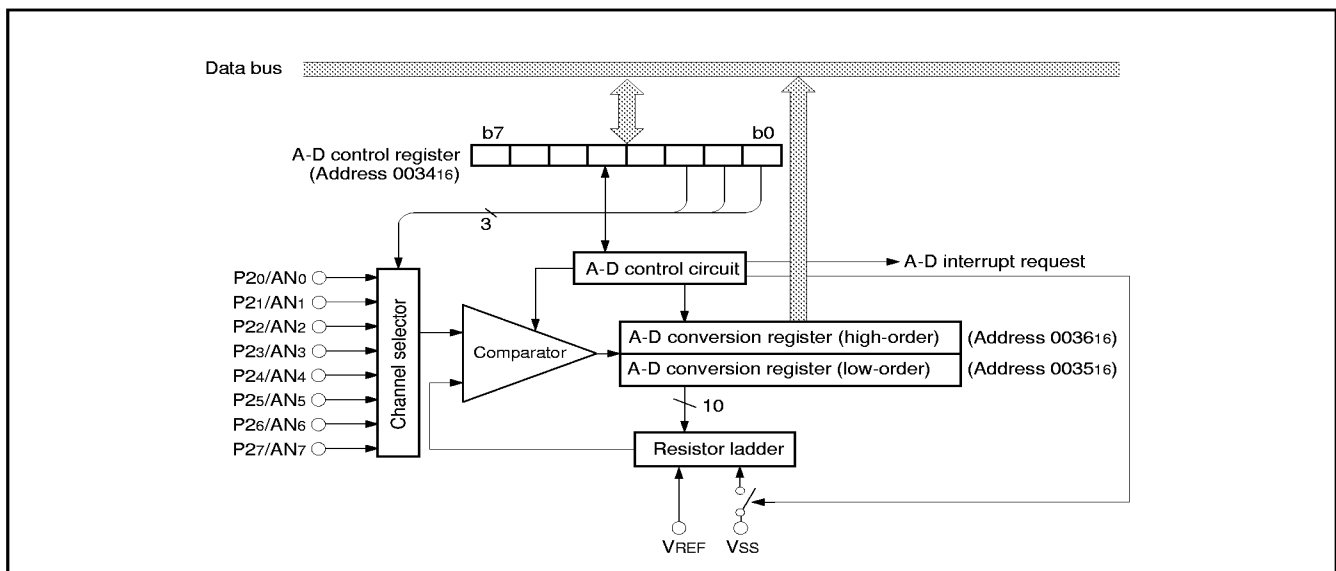


Fig. 32 Block diagram of A-D converter

Watchdog Timer

The watchdog timer gives a means for returning to a reset status when the program fails to run on its normal loop due to a runaway. The watchdog timer consists of an 8-bit watchdog timer H and an 8-bit watchdog timer L, being a 16-bit counter.

Standard operation of watchdog timer

The watchdog timer stops when the watchdog timer control register (address 0039₁₆) is not set after reset. Writing an optional value to the watchdog timer control register (address 0039₁₆) causes the watchdog timer to start to count down. When the watchdog timer H underflows, an internal reset occurs. Accordingly, it is programmed that the watchdog timer control register (address 0039₁₆) can be set before an underflow occurs.

When the watchdog timer control register (address 0039₁₆) is read, the values of the high-order 6-bit of the watchdog timer H, STP instruction disable bit and watchdog timer H count source selection bit are read.

Initial value of watchdog timer

By a reset or writing to the watchdog timer control register (address 0039₁₆), the watchdog timer H is set to "FF₁₆" and the watchdog timer L is set to "FF₁₆".

Operation of watchdog timer H count source selection bit

A watchdog timer H count source can be selected by bit 7 of the watchdog timer control register (address 0039₁₆). When this bit is "0", the count source becomes a watchdog timer L underflow signal. The detection time is 131.072 ms at $f(X_{IN})=8$ MHz.

When this bit is "1", the count source becomes $f(X_{IN})/16$. In this case, the detection time is 512 μ s at $f(X_{IN})=8$ MHz.

This bit is cleared to "0" after reset.

Operation of STP instruction disable bit

When the watchdog timer is in operation, the STP instruction can be disabled by bit 6 of the watchdog timer control register (address 0039₁₆).

When this bit is "0", the STP instruction is enabled.

When this bit is "1", the STP instruction is disabled, and an internal reset occurs if the STP instruction is executed.

Once this bit is set to "1", it cannot be changed to "0" by program.

This bit is cleared to "0" after reset.

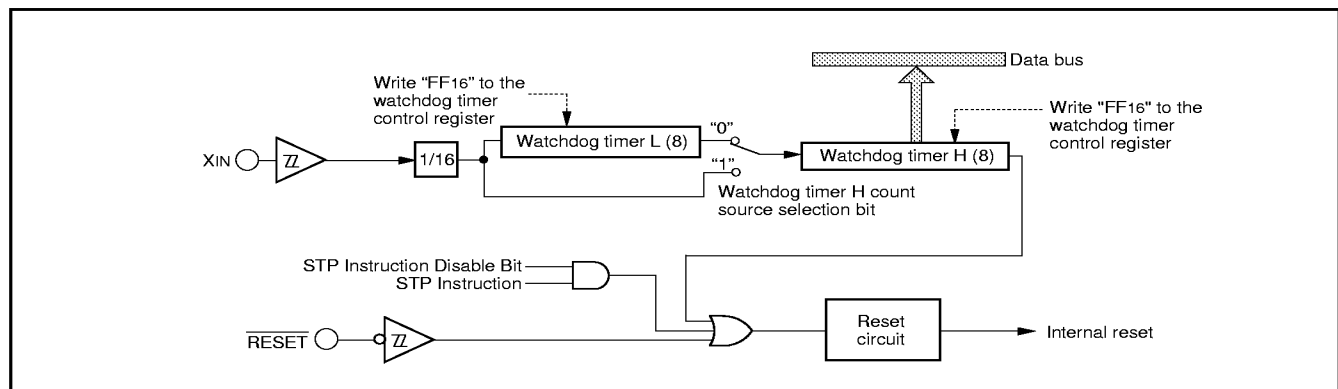


Fig. 33 Block diagram of watchdog timer

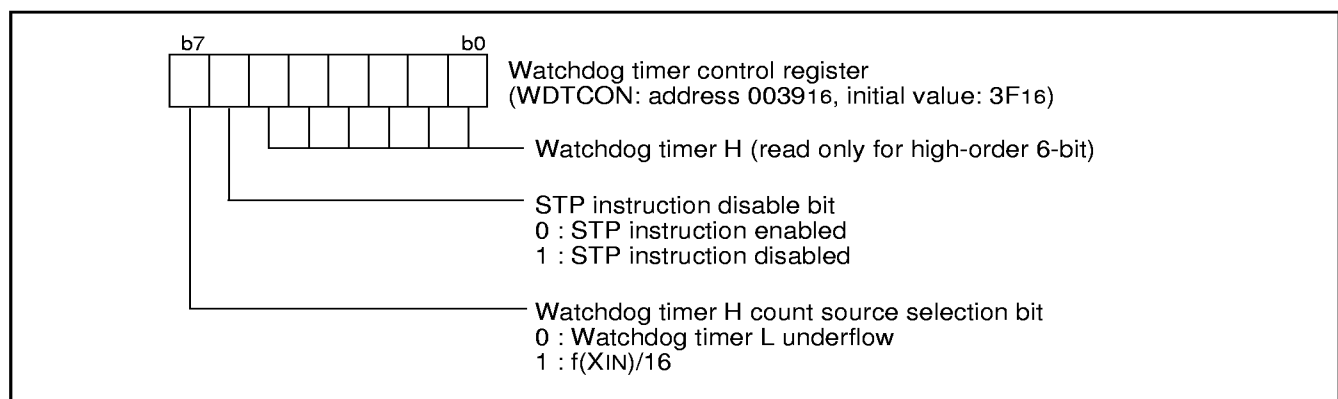


Fig. 34 Structure of watchdog timer control register

Reset Circuit

The microcomputer is put into a reset status by holding the $\overline{\text{RESET}}$ pin at the "L" level for 2 μs or more when the power source voltage is 2.2 to 5.5 V and X_{IN} is in stable oscillation.

After that, this reset status is released by returning the $\overline{\text{RESET}}$ pin to the "H" level. The program starts from the address having the contents of address FFFD_{16} as high-order address and the contents of address FFFC_{16} as low-order address.

In the case of $f(\phi) \leq 4 \text{ MHz}$, the reset input voltage must be 0.8 V or less when the power source voltage passes 4.0 V.

In the case of $f(\phi) \leq 2 \text{ MHz}$, the reset input voltage must be 0.48 V or less when the power source voltage passes 2.4 V.

In the case of $f(\phi) \leq 1 \text{ MHz}$, the reset input voltage must be 0.44 V or less when the power source voltage passes 2.2 V.

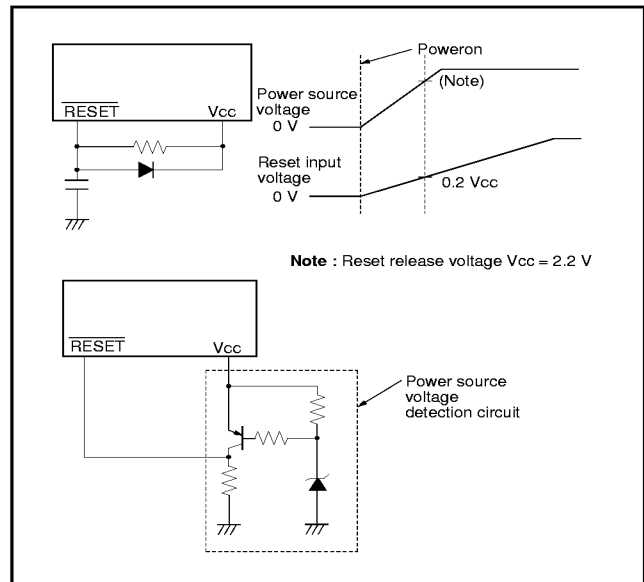


Fig. 35 Example of reset circuit

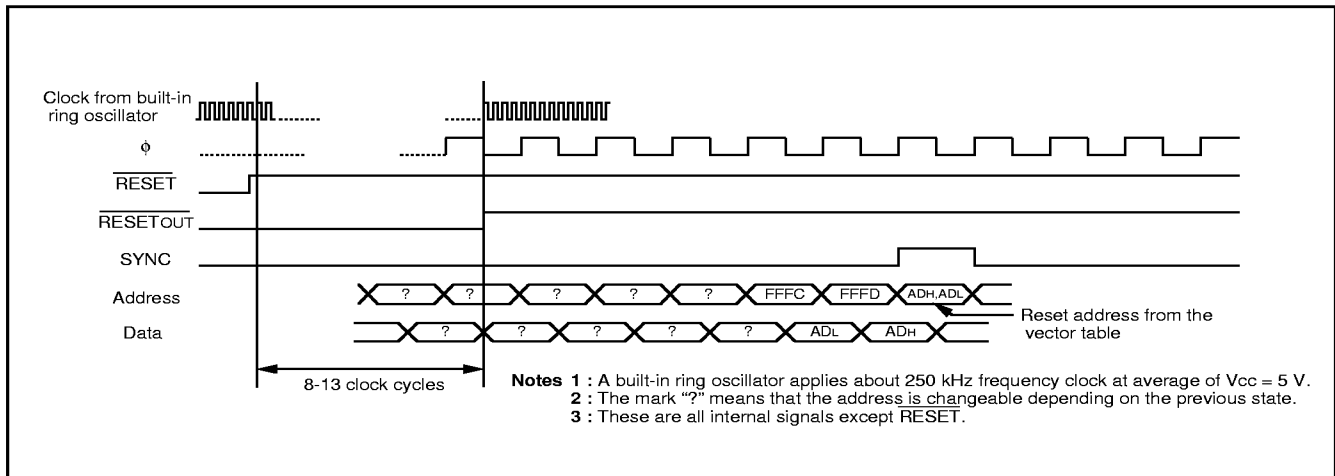


Fig. 36 Timing diagram at reset

	Address	Register contents
(1) Port P0 direction register	0001 ₁₆	00 ₁₆
(2) Port P1 direction register	0003 ₁₆	X X X 0 0 0 0 0
(3) Port P2 direction register	0005 ₁₆	00 ₁₆
(4) Port P3 direction register	0007 ₁₆	00 ₁₆
(5) Pull-up control register	0016 ₁₆	FF ₁₆
(6) Port P1P3 control register	0017 ₁₆	00 ₁₆
(7) Serial I/O1 status register	0019 ₁₆	1 0 0 0 0 0 0 1
(8) Serial I/O1 control register	001A ₁₆	02 ₁₆
(9) UART control register	001B ₁₆	1 1 1 0 0 0 0 0
(10) Prescaler 12	0028 ₁₆	FF ₁₆
(11) Timer 1	0029 ₁₆	01 ₁₆
(12) Timer 2	002A ₁₆	00 ₁₆
(13) Timer X mode register	002B ₁₆	00 ₁₆
(14) Prescaler X	002C ₁₆	FF ₁₆
(15) Timer X	002D ₁₆	FF ₁₆
(16) Timer count source set register	002E ₁₆	00 ₁₆
(17) Serial I/O2 control register	0030 ₁₆	00 ₁₆
(18) A-D control register	0034 ₁₆	10 ₁₆
(19) MISRG	0038 ₁₆	00 ₁₆
(20) Watchdog timer control register	0039 ₁₆	0 0 1 1 1 1 1 1
(21) Interrupt edge selection register	003A ₁₆	00 ₁₆
(22) CPU mode register	003B ₁₆	1 0 0 0 0 0 0 0
(23) Interrupt request register 1	003C ₁₆	00 ₁₆
(24) Interrupt control register 1	003E ₁₆	00 ₁₆
(25) Processor status register	(PS)	X X X X X 1 X X
(26) Program counter	(PCH)	Contents of address FFFD ₁₆
	(PCL)	Contents of address FFFC ₁₆

Note X : Undefined

Fig. 37 Internal status of microcomputer at reset



Clock Generating Circuit

An oscillation circuit can be formed by connecting a resonator between X_{IN} and X_{OUT} , and a CR oscillation circuit can be formed by connecting a resistor and a capacitor.

Use the circuit constants in accordance with the resonator manufacturer's recommended values. No external resistor is needed between X_{IN} and X_{OUT} since a feed-back resistor exists on-chip.

Set the constants of the resistor and capacitor when a CR oscillator is used, so that a frequency variation due to LSI variation and resistor and capacitor variations may not exceed the standard input frequency.

●Oscillation control

• Stop mode

When the STP instruction is executed, the internal clock f stops at an "H" level and the X_{IN} oscillator stops. At this time, timer 1 is set to "01₁₆" and prescaler 12 is set to "FF₁₆" when the oscillation stabilization time set bit after release of the STP instruction is "0". On the other hand, timer 1 and prescaler 12 are not set when the above bit is "1". Accordingly, set the wait time fit for the oscillation stabilization time of the oscillator to be used. $f(X_{IN})/16$ is forcibly connected to the input of prescaler 12. When an external interrupt is accepted, oscillation is restarted but the internal clock f remains at "H" until timer 1 underflows. As soon as timer 1 underflows, the internal clock f is supplied. This is because when a ceramic oscillator is used, some time is required until a start of oscillation. In case oscillation is restarted by reset, no wait time is generated. So apply an "L" level to the RESET pin while oscillation becomes stable.

• Wait mode

If the WIT instruction is executed, the internal clock f stops at an "H" level, but the oscillator does not stop. The internal clock restarts if a reset occurs or when an interrupt is received. Since the oscillator does not stop, normal operation can be started immediately after the clock is restarted. To ensure that interrupts will be received to release the STP or WIT state, interrupt enable bits must be set to "1" before the STP or WIT instruction is executed.

When the STP status is released, prescaler 12 and timer 1 will start counting clock which is X_{IN} divided by 16, so set the timer 1 interrupt enable bit to "0" before the STP instruction is executed.

Note

For use with the oscillation stabilization set bit after release of the STP instruction set to "1", set values in timer 1 and prescaler 12 after fully appreciating the oscillation stabilization time of the oscillator to be used.

●Switch of ceramic and CR oscillations

After releasing reset the operation starts by starting a built-in ring oscillator. Then, a ceramic oscillation or a CR oscillation is selected by setting bit 5 of the CPU mode register.

The bit 5 can be rewritten only once after releasing reset. However, after rewriting it is disable to write any value to the bit.

●Double-speed mode

When a ceramic oscillation is selected, a double-speed mode can be used. Do not use it when a CR oscillation is selected.

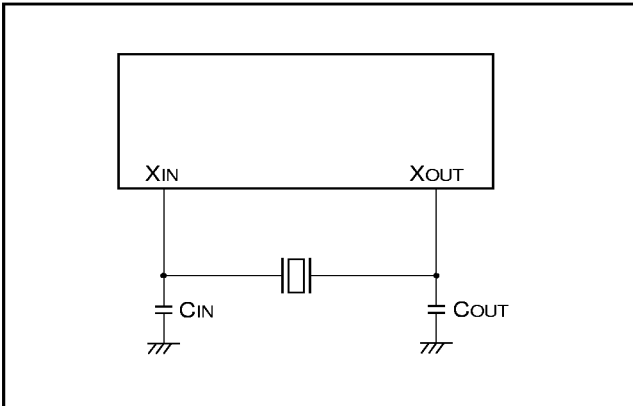


Fig. 38 External circuit of ceramic resonator

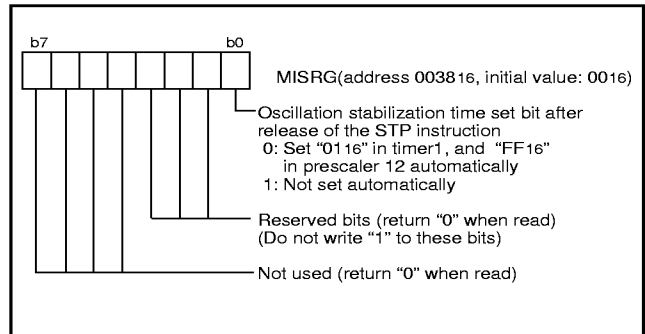


Fig. 41 Structure of MISRG

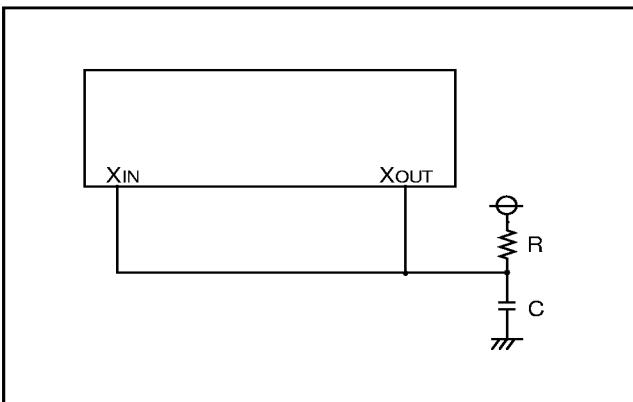


Fig. 39 External circuit of CR oscillation

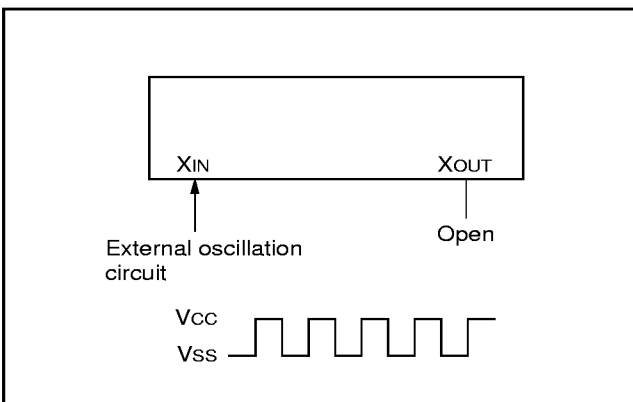


Fig. 40 External clock input circuit

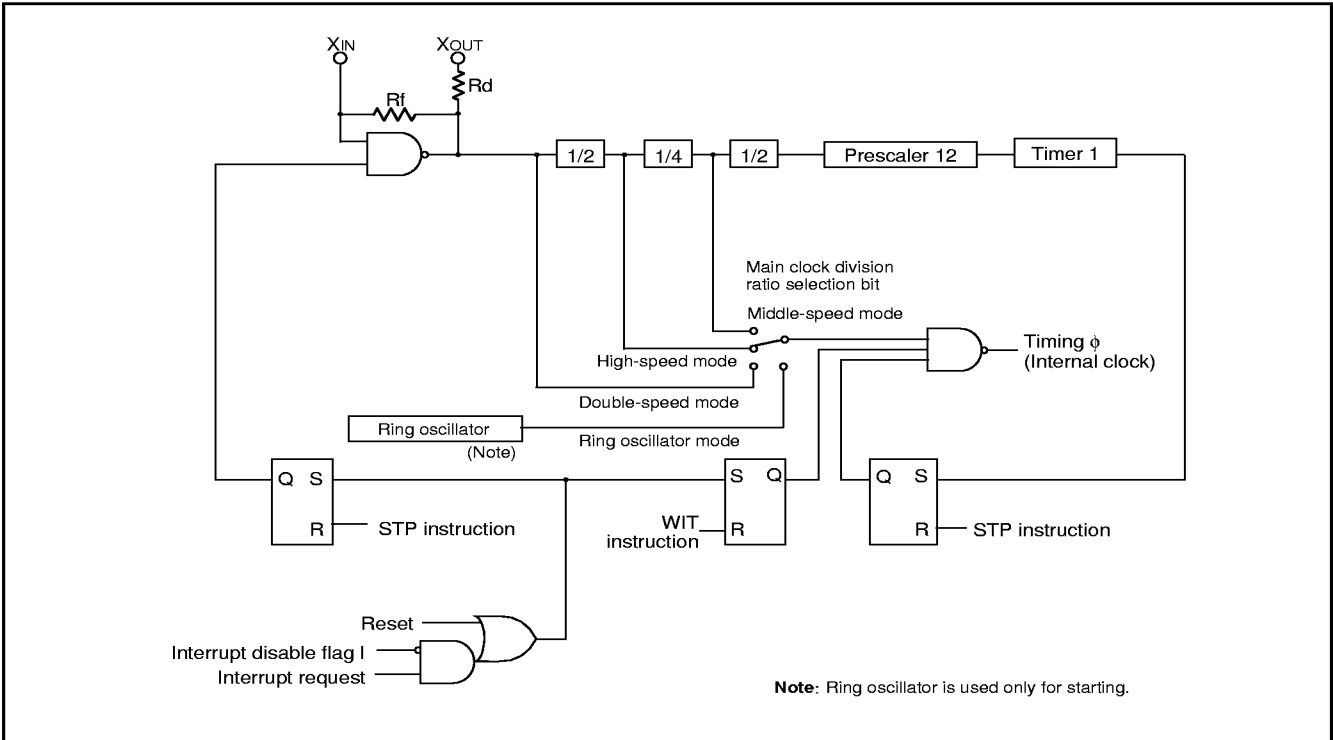


Fig. 42 Block diagram of internal clock generating circuit (for ceramic resonator)

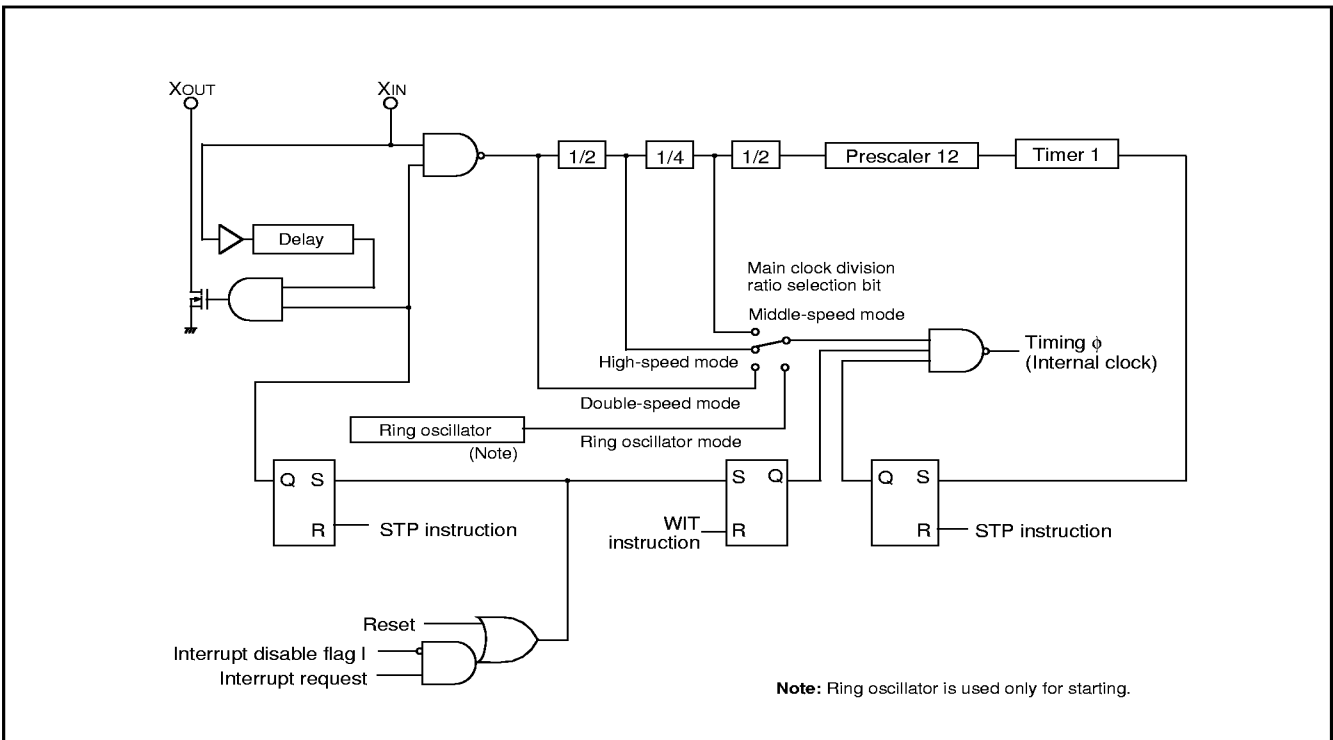


Fig. 43 Block diagram of internal clock generating circuit (for CR oscillation)

NOTES ON PROGRAMMING

Processor Status Register

The contents of the processor status register (PS) after reset are undefined except for the interrupt disable flag I which is "1". After reset, initialize flags which affect program execution. In particular, it is essential to initialize the T flag and the D flag because of their effect on calculations.

Interrupts

The contents of the interrupt request bit do not change even if the BBC or BBS instruction is executed immediately after they are changed by program because this instruction is executed for the previous contents. For executing the instruction for the changed contents, execute one instruction before executing the BBC or BBS instruction.

Decimal Calculations

- For calculations in decimal notation, set the decimal mode flag D to "1", then execute the ADC instruction or SBC instruction. In this case, execute SEC instruction, CLC instruction or CLD instruction after executing one instruction before the ADC instruction or SBC instruction.
- In the decimal mode, the values of the N (negative), V (overflow) and Z (zero) flags are invalid.

Timers

- When n (0 to 255) is written to a timer latch, the frequency division ratio is $1/(n+1)$.
- When a count source of timer X is switched, stop a count of timer X.

Ports

- The values of the port direction registers cannot be read. That is, it is impossible to use the LDA instruction, memory operation instruction when the T flag is "1", addressing mode using direction register values as qualifiers, and bit test instructions such as BBC and BBS. It is also impossible to use bit operation instructions such as CLB and SEB and read/modify/write instructions of direction registers for calculations such as ROR. For setting direction registers, use the LDM instruction, STA instruction, etc.
- Set "1" to each bit 6 of the port P3 direction register and the port P3 register.

A-D Converter

The comparator uses internal capacitors whose charge will be lost if the clock frequency is too low.

Make sure that $f(X_{IN})$ is 500kHz or more during A-D conversion.

Do not execute the STP instruction during A-D conversion.

Instruction Execution Timing

The instruction execution time can be obtained by multiplying the frequency of the internal clock ϕ by the number of cycles mentioned in the machine-language instruction table.

The frequency of the internal clock ϕ is the same as that of the X_{IN} in double-speed mode, twice the X_{IN} cycle in high-speed mode and 8 times the X_{IN} cycle in middle-speed mode.

CPU Mode Register

The oscillation mode selection bit can be rewritten only once after releasing reset. However, after rewriting it is disable to write any value to the bit.

When a ceramic oscillation is selected, a double-speed mode of the clock division ratio selection bits can be used. Do not use it when a CR oscillation is selected.

NOTES ON USE

Handling of Power Source Pin

In order to avoid a latch-up occurrence, connect a capacitor suitable for high frequencies as bypass capacitor between power source pin (V_{CC} pin) and GND pin (V_{SS} pin). Besides, connect the capacitor to as close as possible. For bypass capacitor which should not be located too far from the pins to be connected, a ceramic capacitor of 0.01 μ F to 0.1 μ F is recommended.

One Time PROM Version

The CNV_{SS} pin is connected to the internal memory circuit block by a low-ohmic resistance, since it has the multiplexed function to be a programmable power source pin (V_{PP} pin) as well.

To improve the noise reduction, connect a track between CNV_{SS} pin and V_{SS} pin with 1 to 10 k Ω resistance.

The mask ROM version track of CNV_{SS} pin has no operational interference even if it is connected via a resistor.

DATA REQUIRED FOR MASK ORDERS

The following are necessary when ordering a mask ROM production:

- (1) Mask ROM Order Confirmation Form
- (2) Mark Specification Form
- (3) Data to be written to ROM, in EPROM form (three identical copies)

DATA REQUIRED FOR ROM PROGRAMMING ORDERS

The following are necessary when ordering a ROM writing:

- (1) ROM Programming Confirmation Form
- (2) Mark Specification Form (for Special Mark)
- (3) Data to be written to ROM, in EPROM form (three identical copies)

ROM PROGRAMMING METHOD

The built-in PROM of the blank One Time PROM version can be read or programmed with a general-purpose PROM programmer using a special programming adapter. Set the address of PROM programmer in the user ROM area.

Table 5 Special programming adapter

Package	Name of Programming Adapter
32P4B	PCA7435SP
32P6B-A	PCA7435GP
36P2R-A	PCA7435FP

The PROM of the blank One Time PROM version is not tested or screened in the assembly process and following processes. To ensure proper operation after programming, the procedure shown in Figure 44 is recommended to verify programming.

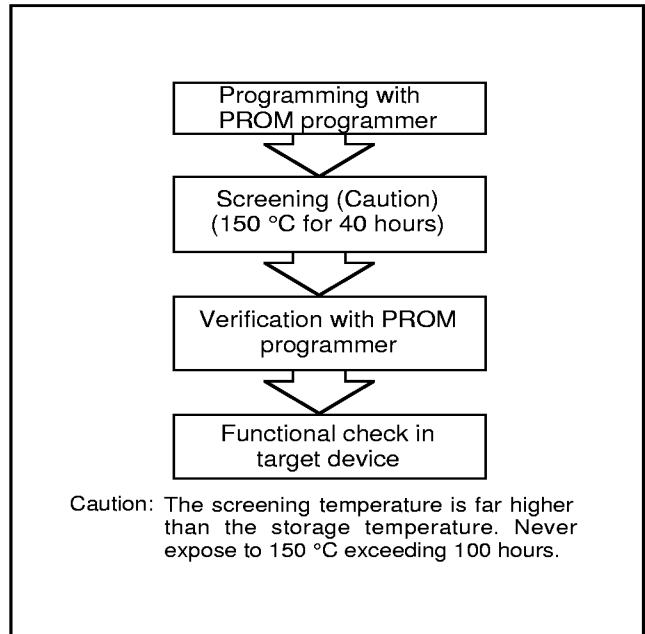


Fig. 44 Programming and testing of One Time PROM version

ELECTRICAL CHARACTERISTICS

1.7531Group (General purpose)

Applied to: M37531M4-XXXFP/SP/GP, M37531M8-XXXFP/SP/GP, M37531E4FP/SP/GP, M37531E8FP/SP

Absolute Maximum Ratings (General purpose)

Table 6 Absolute maximum ratings

Symbol	Parameter	Conditions	Ratings	Unit
V _{CC}	Power source voltage	All voltages are based on V _{SS} . Output transistors are cut off.	-0.3 to 7.0	V
V _I	Input voltage P00-P07, P10-P14, P20-P27, P30-P37, VREF		-0.3 to V _{CC} + 0.3	V
V _I	Input voltage RESET, X _{IN}		-0.3 to V _{CC} + 0.3	V
V _I	Input voltage CNV _{SS} (Note 1)		-0.3 to 13	V
V _O	Output voltage P00-P07, P10-P14, P20-P27, P30-P37, X _{OUT}		-0.3 to V _{CC} + 0.3	V
P _d	Power dissipation	T _a = 25°C	300 (Note 2)	mW
T _{opr}	Operating temperature		-20 to 85	°C
T _{stg}	Storage temperature		-40 to 125	°C

Note 1: It is a rating only for the One Time PROM version. Connect to V_{SS} for the mask ROM version.
Note 2: 200 mW for the 32P6B package product.



Recommended Operating Conditions (General purpose)

Table 7 Recommended operating conditions (1) ($V_{CC} = 2.2$ to 5.5 V, $T_a = -20$ to 85 °C, unless otherwise noted)

Symbol	Parameter		Limits			Unit
			Min.	Typ.	Max.	
V _{CC}	Power source voltage (ceramic)	f(X _{IN}) = 8 MHz (High-, Middle-speed mode)	4.0	5.0	5.5	V
		f(X _{IN}) = 4 MHz (High-, Middle-speed mode)	2.4	5.0	5.5	V
		f(X _{IN}) = 2 MHz (High-, Middle-speed mode)	2.2	5.0	5.5	V
		f(X _{IN}) = 4 MHz (Double-speed mode)	4.0	5.0	5.5	V
		f(X _{IN}) = 2 MHz (Double-speed mode)	2.4	5.0	5.5	V
		f(X _{IN}) = 1 MHz (Double-speed mode)	2.2	5.0	5.5	V
	Power source voltage (CR)	f(X _{IN}) = 4 MHz (High-, Middle-speed mode)	4.0	5.0	5.5	V
		f(X _{IN}) = 2 MHz (High-, Middle-speed mode)	2.4	5.0	5.5	V
		f(X _{IN}) = 1 MHz (High-, Middle-speed mode)	2.2	5.0	5.5	V
V _{SS}	Power source voltage		0		V	
V _{REF}	Analog reference voltage		2.0	V _{CC}	V	
V _{IH}	"H" input voltage	P00–P07, P10–P14, P20–P27, P30–P37	0.8V _{CC}		V _{CC}	V
V _{IH}	"H" input voltage (TTL input level selected)	P10, P12, P13, P36, P37 (Note 1)	2.0		V _{CC}	V
V _{IH}	"H" input voltage	RESET, X _{IN}	0.8V _{CC}		V _{CC}	V
V _{IL}	"L" input voltage	P00–P07, P10–P14, P20–P27, P30–P37	0		0.3V _{CC}	V
V _{IL}	"L" input voltage (TTL input level selected)	P10, P12, P13, P36, P37 (Note 1)	0		0.8	V
V _{IL}	"L" input voltage	RESET, CNV _{SS}	0		0.2V _{CC}	V
V _{IL}	"L" input voltage	X _{IN}	0		0.16V _{CC}	V
ΣI _{OH(peak)}	"H" total peak output current (Note 2)	P00–P07, P10–P14, P20–P27, P30–P37			–80	mA
ΣI _{OL(peak)}	"L" total peak output current (Note 2)	P00–P07, P10–P14, P20–P27, P37			80	mA
ΣI _{OL(peak)}	"L" total peak output current (Note 2)	P30–P36			60	mA
ΣI _{OH(avg)}	"H" total average output current (Note 2)	P00–P07, P10–P14, P20–P27, P30–P37			–40	mA
ΣI _{OL(avg)}	"L" total average output current (Note 2)	P00–P07, P10–P14, P20–P27, P37			40	mA
ΣI _{OL(avg)}	"L" total average output current (Note 2)	P30–P36			30	mA

Note 1: $V_{CC} = 4.0$ to 5.5 V

2: The total output current is the sum of all the currents flowing through all the applicable ports. The total average current is an average value measured over 100 ms. The total peak current is the peak value of all the currents.

Recommended Operating Conditions (General purpose)(continued)

Table 8 Recommended operating conditions (2) (V_{CC} = 2.2 to 5.5 V, T_a = -20 to 85 °C, unless otherwise noted)

Symbol	Parameter		Limits			Unit
			Min.	Typ.	Max.	
I _{OH} (peak)	"H" peak output current (Note 1)	P00-P07, P10-P14, P20-P27, P30-P37			-10	mA
I _{OL} (peak)	"L" peak output current (Note 1)	P00-P07, P10-P14, P20-P27, P37			10	mA
I _{OL} (peak)	"L" peak output current (Note 1)	P30-P36			30	mA
I _{OH} (avg)	"H" average output current (Note 2)	P00-P07, P10-P14, P20-P27, P30-P37			-5	mA
I _{OL} (avg)	"L" average output current (Note 2)	P00-P07, P10-P14, P20-P27, P37			5	mA
I _{OL} (avg)	"L" average output current (Note 2)	P30-P36			15	mA
f(XIN)	Internal clock oscillation frequency (Note 3) at ceramic oscillation or external clock input	V _{CC} = 4.0 to 5.5 V Double-speed mode			4	MHz
	Internal clock oscillation frequency (Note 3) at ceramic oscillation or external clock input	V _{CC} = 2.4 to 5.5 V Double-speed mode			2	MHz
	Internal clock oscillation frequency (Note 3) at ceramic oscillation or external clock input	V _{CC} = 2.2 to 5.5 V Double-speed mode			1	MHz
	Internal clock oscillation frequency (Note 3) at ceramic oscillation or external clock input	V _{CC} = 4.0 to 5.5 V High-, Middle-speed mode			8	MHz
	Internal clock oscillation frequency (Note 3) at ceramic oscillation or external clock input	V _{CC} = 2.4 to 5.5 V High-, Middle-speed mode			4	MHz
	Internal clock oscillation frequency (Note 3) at ceramic oscillation or external clock input	V _{CC} = 2.2 to 5.5 V High-, Middle-speed mode			2	MHz
	Internal clock oscillation frequency (Note 3) at CR oscillation	V _{CC} = 4.0 to 5.5 V High-, Middle-speed mode			4	MHz
	Internal clock oscillation frequency (Note 3) at CR oscillation	V _{CC} = 2.4 to 5.5 V High-, Middle-speed mode			2	MHz
	Internal clock oscillation frequency (Note 3) at CR oscillation	V _{CC} = 2.2 to 5.5 V High-, Middle-speed mode			1	MHz

- Notes 1:** The peak output current is the peak current flowing in each port.
2: The average output current I_{OL} (avg), I_{OH} (avg) in an average value measured over 100 ms.
3: When the oscillation frequency has a duty cycle of 50 %.



Electrical Characteristics (General purpose)

Table 9 Electrical characteristics (V_{CC} = 2.2 to 5.5 V, V_{SS} = 0 V, T_a = -20 to 85 °C, unless otherwise noted)

Symbol	Parameter		Test conditions	Limits			Unit
				Min.	Typ.	Max.	
V _{OH}	"H" output voltage	P00-P07, P10-P14, P20-P27, P30-P37 (Note 1)	I _{OH} = -5 mA V _{CC} = 4.0 to 5.5 V	V _{CC} -1.5			V
			I _{OH} = -1.0 mA V _{CC} = 2.2 to 5.5 V	V _{CC} -1.0			V
V _{OL}	"L" output voltage	P00-P07, P10-P14, P20-P27, P37	I _{OL} = 5 mA V _{CC} = 4.0 to 5.5 V			1.5	V
			I _{OL} = 1.5 mA V _{CC} = 4.0 to 5.5 V			0.3	V
			I _{OL} = 1.0 mA V _{CC} = 2.2 to 5.5 V			1.0	V
V _{OL}	"L" output voltage	P30-P36	I _{OL} = 15 mA V _{CC} = 4.0 to 5.5 V			2.0	V
			I _{OL} = 1.5 mA V _{CC} = 4.0 to 5.5 V			0.3	V
			I _{OL} = 10 mA V _{CC} = 2.2 to 5.5 V			1.0	V
V _{T+} -V _{T-}	Hysteresis	CNTR0, INT0, INT1 (Note 2) P00-P07 (Note 3)			0.4		V
V _{T+} -V _{T-}	Hysteresis	RXD, SCLK, SDATA (Note 2)			0.5		V
V _{T+} -V _{T-}	Hysteresis	RESET			0.5		V
I _{IH}	"H" input current	P00-P07, P10-P14, P20-P27, P30-P37	V _I = V _{CC} (Pin floating. Pull up transistors "off")			5.0	μA
I _{IH}	"H" input current	RESET	V _I = V _{CC}			5.0	μA
I _{IH}	"H" input current	X _{IN}	V _I = V _{CC}		4.0		μA
I _{IL}	"L" input current	P00-P07, P10-P14, P20-P27, P30-P37	V _I = V _{SS} (Pin floating. Pull up transistors "off")			-5.0	μA
I _{IL}	"L" input current	RESET, CNV _{SS}	V _I = V _{SS}			-5.0	μA
I _{IL}	"L" input current	X _{IN}	V _I = V _{SS}		-4.0		μA
I _{IL}	"L" input current	P00-P07, P30-P37	V _I = V _{SS} (Pull up transistors "on")		-0.2	-0.5	mA
V _{RAM}	RAM hold voltage		When clock stopped	2.0		5.5	V
I _{CC}	Power source current	High-speed mode, f(X _{IN}) = 8 MHz Output transistors "off"			5.0	8.0	mA
		High-speed mode, f(X _{IN}) = 2 MHz, V _{CC} = 2.2 V Output transistors "off"			0.5	1.5	mA
		Double-speed mode, f(X _{IN}) = 4 MHz Output transistors "off"			5.0	8.0	mA
		Middle-speed mode, f(X _{IN}) = 8 MHz Output transistors "off"			2.0	5.0	mA
		f(X _{IN}) = 8 MHz (in WIT state) Output transistors "off"			1.6	3.2	mA
		f(X _{IN}) = 2 MHz, V _{CC} = 2.2 V (in WIT state) Output transistors "off"			0.2		mA
		Increment when A-D conversion is executed f(X _{IN}) = 8 MHz, V _{CC} = 5 V			0.5		mA
		All oscillation stopped (in STP state) Output transistors "off"		T _a = 25 °C		0.1	1.0
		T _a = 85 °C			10	μA	

Notes 1: P11 is measured when the P11/TxD P-channel output disable bit of the UART control register (bit 4 of address 001B16) is "0".
2: RXD, SCLK, SDATA, INT0, and INT1 have hysteresises only when bits 0 to 2 of the port P1P3 control register are set to "0" (CMOS level).
3: It is available only when operating key-on wake up.



A-D Converter Characteristics (General purpose)

Table 10 A-D Converter characteristics (1) (V_{CC} = 2.7 to 5.5 V, V_{SS} = 0 V, T_a = -20 to 85 °C, unless otherwise noted)

Symbol	Parameter	Test conditions	Limits			Unit
			Min.	Typ.	Max.	
—	Resolution				10	Bits
—	Absolute accuracy (excluding quantization error)	V _{CC} = 2.7 to 5.5 V T _a = 25 °C			±3	LSB
—	Differential nonlinear error	V _{CC} = 2.7 to 5.5 V T _a = 25 °C			±0.9	LSB
VOT	Zero transition voltage	V _{CC} = V _{REF} = 5.12 V	0	5	20	mV
		V _{CC} = V _{REF} = 3.072 V	0	3	15	mV
VFST	Full scale transition voltage	V _{CC} = V _{REF} = 5.12 V	5105	5115	5125	mV
		V _{CC} = V _{REF} = 3.072 V	3060	3069	3075	mV
t _{CONV}	Conversion time			122	t _c (X _{IN})	
RLADDER	Ladder resistor			55	kΩ	
I _{VREF}	Reference power source input current	V _{REF} = 5.0 V	50	150	200	μA
		V _{REF} = 3.0 V	30	70	120	
I _{I(AD)}	A-D port input current			5.0	μA	

Timing Requirements (General purpose)

Table 11 Timing requirements (1) (Vcc = 4.0 to 5.5 V, Vss = 0 V, Ta = -20 to 85 °C, unless otherwise noted)

Symbol	Parameter	Limits			Unit
		Min.	Typ.	Max.	
tw(RESET)	Reset input "L" pulse width	2			μs
tc(XIN)	External clock input cycle time	125			ns
tWH(XIN)	External clock input "H" pulse width	50			ns
tWL(XIN)	External clock input "L" pulse width	50			ns
tc(CNTR)	CNTR0 input cycle time	200			ns
tWH(CNTR)	CNTR0, INT0, INT1, input "H" pulse width	80			ns
tWL(CNTR)	CNTR0, INT0, INT1, input "L" pulse width	80			ns
tc(SCLK)	Serial I/O2 clock input cycle time	1000			ns
tWH(SCLK)	Serial I/O2 clock input "H" pulse width	400			ns
tWL(SCLK)	Serial I/O2 clock input "L" pulse width	400			ns
tsu(SCLK-SDATA)	Serial I/O2 input set up time	200			ns
th(SCLK-SDATA)	Serial I/O2 input hold time	200			ns

Table 12 Timing requirements (2) (Vcc = 2.2 to 5.5 V or 2.4 to 5.5 V, Vss = 0 V, Ta = -20 to 85 °C, unless otherwise noted)

Symbol	Parameter	Limits			Unit
		Min.	Typ.	Max.	
tw(RESET)	Reset input "L" pulse width	2			μs
tc(XIN)	External clock input cycle time	Vcc = 2.2 to 5.5 V	500		ns
		Vcc = 2.4 to 5.5 V	250		ns
tWH(XIN)	External clock input "H" pulse width	Vcc = 2.2 to 5.5 V	200		ns
		Vcc = 2.4 to 5.5 V	100		ns
tWL(XIN)	External clock input "L" pulse width	Vcc = 2.2 to 5.5 V	200		ns
		Vcc = 2.4 to 5.5 V	100		ns
tc(CNTR)	CNTR0 input cycle time	Vcc = 2.2 to 5.5 V	1000		ns
		Vcc = 2.4 to 5.5 V	500		ns
tWH(CNTR)	CNTR0, INT0, INT1, input "H" pulse width	Vcc = 2.2 to 5.5 V	460		ns
		Vcc = 2.4 to 5.5 V	230		ns
tWL(CNTR)	CNTR0, INT0, INT1, input "L" pulse width	Vcc = 2.2 to 5.5 V	460		ns
		Vcc = 2.4 to 5.5 V	230		ns
tc(SCLK)	Serial I/O2 clock input cycle time	Vcc = 2.2 to 5.5 V	4000		ns
		Vcc = 2.4 to 5.5 V	2000		ns
tWH(SCLK)	Serial I/O2 clock input "H" pulse width	Vcc = 2.2 to 5.5 V	1900		ns
		Vcc = 2.4 to 5.5 V	950		ns
tWL(SCLK)	Serial I/O2 clock input "L" pulse width	Vcc = 2.2 to 5.5 V	1900		ns
		Vcc = 2.4 to 5.5 V	950		ns
tsu(SCLK-SDATA)	Serial I/O2 input set up time	400			ns
th(SCLK-SDATA)	Serial I/O2 input hold time	400			ns

Switching Characteristics (General purpose)

Table 13 Switching characteristics (1) (Vcc = 4.0 to 5.5 V, Vss = 0 V, Ta = -20 to 85 °C, unless otherwise noted)

Symbol	Parameter	Limits			Unit
		Min.	Typ.	Max.	
t _{WH} (SCLK)	Serial I/O2 clock output "H" pulse width	t _c (SCLK)/2-30			ns
t _{WL} (SCLK)	Serial I/O2 clock output "L" pulse width	t _c (SCLK)/2-30			ns
t _d (SCLK-SDATA)	Serial I/O2 output delay time			140	ns
t _v (SCLK-SDATA)	Serial I/O2 output valid time	0			ns
t _r (SCLK)	Serial I/O2 clock output rising time			30	ns
t _f (SCLK)	Serial I/O2 clock output falling time			30	ns
t _r (CMOS)	CMOS output rising time (Note 1)		10	30	ns
t _f (CMOS)	CMOS output falling time (Note 1)		10	30	ns

Note 1: Pin XOUT is excluded.

Table 14 Switching characteristics (2) (Vcc = 2.2 to 5.5 V, Vss = 0 V, Ta = -20 to 85 °C, unless otherwise noted)

Symbol	Parameter	Limits			Unit
		Min.	Typ.	Max.	
t _{WH} (SCLK)	Serial I/O2 clock output "H" pulse width	t _c (SCLK)/2-50			ns
t _{WL} (SCLK)	Serial I/O2 clock output "L" pulse width	t _c (SCLK)/2-50			ns
t _d (SCLK-SDATA)	Serial I/O2 output delay time			350	ns
t _v (SCLK-SDATA)	Serial I/O2 output valid time	0			ns
t _r (SCLK)	Serial I/O2 clock output rising time			50	ns
t _f (SCLK)	Serial I/O2 clock output falling time			50	ns
t _r (CMOS)	CMOS output rising time (Note 1)		20	50	ns
t _f (CMOS)	CMOS output falling time (Note 1)		20	50	ns

Note 1: Pin XOUT is excluded.

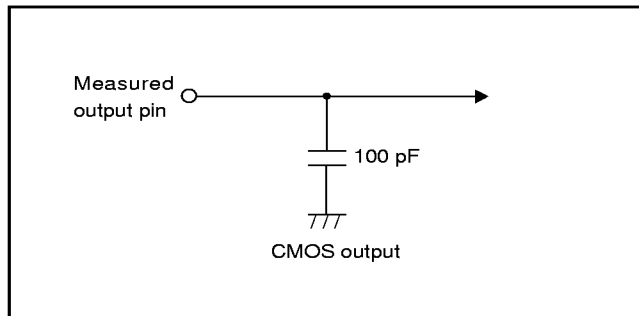


Fig. 45 Switching characteristics measurement circuit diagram (General purpose)

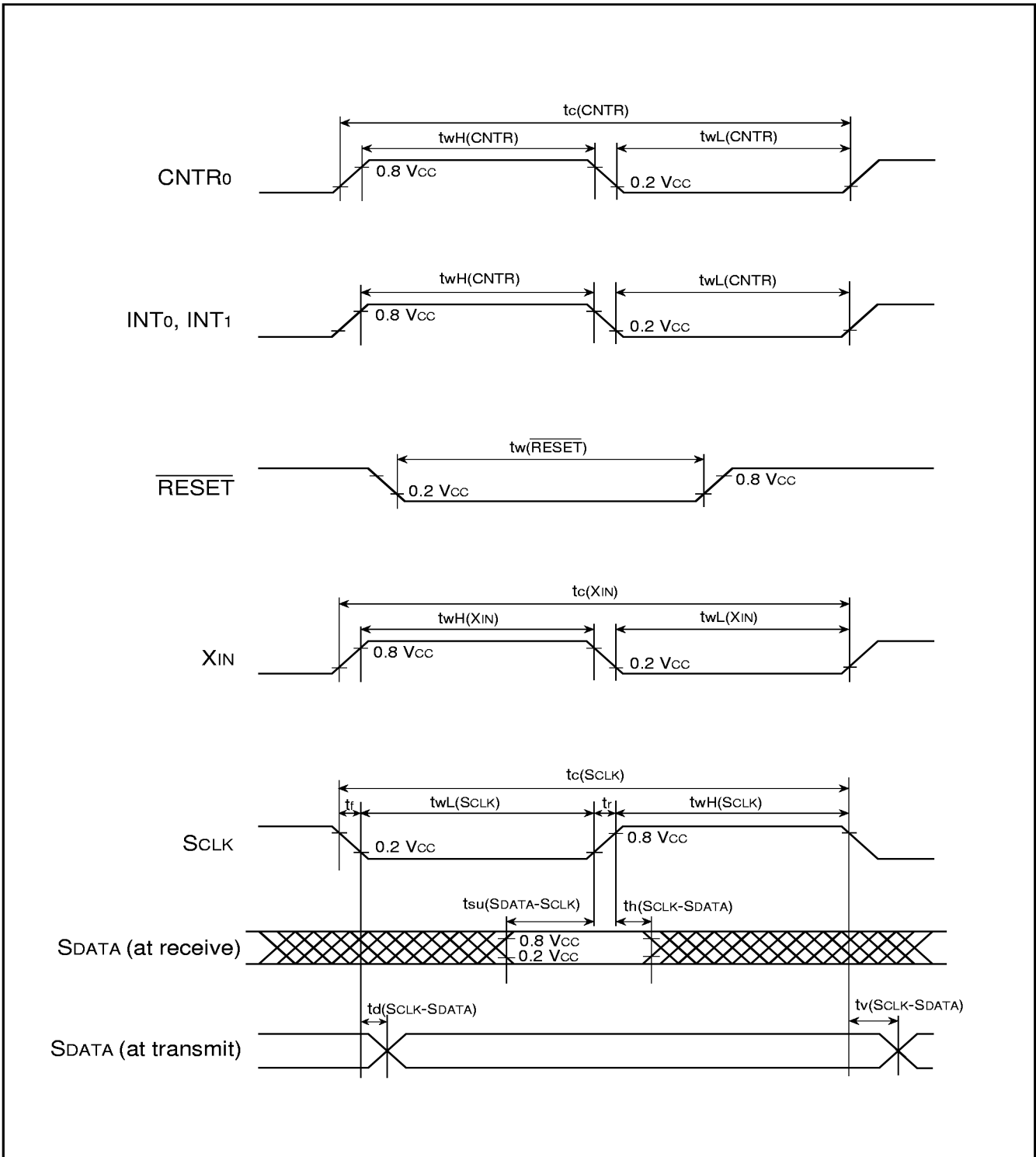


Fig. 46 Timing chart (General purpose)

2.7531Group (Extended operating temperature version)

Applied to: M37531M4T-XXXGP, M37531E4T-XXXGP

Absolute Maximum Ratings (Extended operating temperature version)**Table 15 Absolute maximum ratings**

Symbol	Parameter	Conditions	Ratings	Unit
V _{CC}	Power source voltage	All voltages are based on V _{SS} . Output transistors are cut off.	-0.3 to 7.0	V
V _I	Input voltage P00-P07, P10-P14, P20-P25, P30-P34, P37, VREF		-0.3 to V _{CC} + 0.3	V
V _I	Input voltage RESET, XIN		-0.3 to V _{CC} + 0.3	V
V _I	Input voltage CNVSS (Note 1)		-0.3 to 13	V
V _O	Output voltage P00-P07, P10-P14, P20-P25, P30-P34, P37, XOUT		-0.3 to V _{CC} + 0.3	V
P _d	Power dissipation	T _a = 25°C	200	mW
T _{opr}	Operating temperature		-40 to 85	°C
T _{stg}	Storage temperature		-65 to 150	°C

Note 1: It is a rating only for the One Time PROM version. Connect to V_{SS} for the mask ROM version.

Recommended Operating Conditions (Extended operating temperature version)

Table 16 Recommended operating conditions (1) (Vcc = 2.4 to 5.5 V, Ta = -40 to 85 °C, unless otherwise noted)

Symbol	Parameter		Limits			Unit
			Min.	Typ.	Max.	
VCC	Power source voltage (ceramic)	f(XIN) = 8 MHz (High-, Middle-speed mode)	4.0	5.0	5.5	V
		f(XIN) = 4 MHz (High-, Middle-speed mode)	2.4	5.0	5.5	V
		f(XIN) = 4 MHz (Double-speed mode)	4.0	5.0	5.5	V
		f(XIN) = 2 MHz (Double-speed mode)	2.4	5.0	5.5	V
	Power source voltage (CR)	f(XIN) = 4 MHz (High-, Middle-speed mode)	4.0	5.0	5.5	V
		f(XIN) = 2 MHz (High-, Middle-speed mode)	2.4	5.0	5.5	V
VSS	Power source voltage			0		V
VREF	Analog reference voltage		2.0		Vcc	V
VIH	"H" input voltage	P00-P07, P10-P14, P20-P25, P30-P34, P37	0.8Vcc		Vcc	V
VIH	"H" input voltage (TTL input level selected)	P10, P12, P13, P37 (Note 1)	2.0		Vcc	V
VIH	"H" input voltage	RESET, XIN	0.8Vcc		Vcc	V
VIL	"L" input voltage	P00-P07, P10-P14, P20-P25, P30-P34, P37	0		0.3Vcc	V
VIL	"L" input voltage (TTL input level selected)	P10, P12, P13, P37 (Note 1)	0		0.8	V
VIL	"L" input voltage	RESET, CNVss	0		0.2Vcc	V
VIL	"L" input voltage	XIN	0		0.16Vcc	V
ΣIOH(peak)	"H" total peak output current (Note 2)	P00-P07, P10-P14, P20-P25, P30-P34, P37			-80	mA
ΣIOL(peak)	"L" total peak output current (Note 2)	P00-P07, P10-P14, P20-P25, P37			80	mA
ΣIOL(peak)	"L" total peak output current (Note 2)	P30-P34			60	mA
ΣIOH(avg)	"H" total average output current (Note 2)	P00-P07, P10-P14, P20-P25, P30-P34, P37			-40	mA
ΣIOL(avg)	"L" total average output current (Note 2)	P00-P07, P10-P14, P20-P25, P37			40	mA
ΣIOL(avg)	"L" total average output current (Note 2)	P30-P34			30	mA

Note 1: Vcc = 4.0 to 5.5V

2: The total output current is the sum of all the currents flowing through all the applicable ports. The total average current is an average value measured over 100 ms. The total peak current is the peak value of all the currents.

Recommended Operating Conditions (Extended operating temperature version) (continued)

Table 17 Recommended operating conditions (2) (V_{CC} = 2.4 to 5.5 V, T_a = -40 to 85 °C, unless otherwise noted)

Symbol	Parameter		Limits			Unit
			Min.	Typ.	Max.	
I _{OH} (peak)	"H" peak output current (Note 1)	P00-P07, P10-P14, P20-P25, P30-P34, P37			-10	mA
I _{OL} (peak)	"L" peak output current (Note 1)	P00-P07, P10-P14, P20-P25, P37			10	mA
I _{OL} (peak)	"L" peak output current (Note 1)	P30-P34			30	mA
I _{OH} (avg)	"H" average output current (Note 2)	P00-P07, P10-P14, P20-P25, P30-P34, P37			-5	mA
I _{OL} (avg)	"L" average output current (Note 2)	P00-P07, P10-P14, P20-P25, P37			5	mA
I _{OL} (avg)	"L" average output current (Note 2)	P30-P34			15	mA
f(XIN)	Internal clock oscillation frequency (Note 3) at ceramic oscillation or external clock input	V _{CC} = 4.0 to 5.5 V Double-speed mode			4	MHz
		V _{CC} = 2.4 to 5.5 V Double-speed mode			2	MHz
	Internal clock oscillation frequency (Note 3) at ceramic oscillation or external clock input	V _{CC} = 4.0 to 5.5 V High-, Middle-speed mode			8	MHz
		V _{CC} = 2.4 to 5.5 V High-, Middle-speed mode			4	MHz
	Internal clock oscillation frequency (Note 3) at CR oscillation	V _{CC} = 4.0 to 5.5 V High-, Middle-speed mode			4	MHz
		V _{CC} = 2.4 to 5.5 V High-, Middle-speed mode			2	MHz

- Notes 1:** The peak output current is the peak current flowing in each port.
2: The average output current I_{OL} (avg), I_{OH} (avg) in an average value measured over 100 ms.
3: When the oscillation frequency has a duty cycle of 50 %.



Electrical Characteristics (Extended operating temperature version)

Table 18 Electrical characteristics (V_{CC} = 2.4 to 5.5 V, V_{SS} = 0 V, T_a = -40 to 85 °C, unless otherwise noted)

Symbol	Parameter	Test conditions	Limits			Unit
			Min.	Typ.	Max.	
VOH	"H" output voltage P00-P07, P10-P14, P20-P25, P30-P34 (Note 1)	IOH = -5 mA VCC = 4.0 to 5.5 V	VCC-1.5			V
		IOH = -1.0 mA VCC = 2.4 to 5.5 V	VCC-1.0			V
VOL	"L" output voltage P00-P07, P10-P14, P20-P25, P37	IOL = 5 mA VCC = 4.0 to 5.5 V			1.5	V
		IOL = 1.5 mA VCC = 4.0 to 5.5 V			0.3	V
		IOL = 1.0 mA VCC = 2.4 to 5.5 V			1.0	V
VOL	"L" output voltage P30-P34	IOL = 15 mA VCC = 4.0 to 5.5 V			2.0	V
		IOL = 1.5 mA VCC = 4.0 to 5.5 V			0.3	V
		IOL = 10 mA VCC = 2.4 to 5.5 V			1.0	V
VT+–VT–	Hysteresis CNTR0, INT0 (Note 2) P00–P07 (Note 3)		0.4		V	
VT+–VT–	Hysteresis RXD, SCLK, SDATA (Note 2)		0.5		V	
VT+–VT–	Hysteresis RESET		0.5		V	
IiH	"H" input current P00–P07, P10–P14, P20–P25, P30–P34, P37	Vi = VCC (Pin floating. Pull up transistors "off")			5.0	μA
IiH	"H" input current RESET	Vi = VCC			5.0	μA
IiH	"H" input current XIN	Vi = VCC	4.0			μA
IiL	"L" input current P00–P07, P10–P14, P20–P25, P30–P34, P37	Vi = VSS (Pin floating. Pull up transistors "off")			-5.0	μA
IiL	"L" input current RESET, CNVSS	Vi = VSS			-5.0	μA
IiL	"L" input current XIN	Vi = VSS	-4.0			μA
IiL	"L" input current P00–P07, P30–P34, P37	Vi = VSS (Pull up transistors "on")		-0.2	-0.5	mA
VRAM	RAM hold voltage	When clock stopped	2.0		5.5	V
ICC	Power source current	High-speed mode, f(XIN) = 8 MHz Output transistors "off"		5.0	8.0	mA
		High-speed mode, f(XIN) = 2 MHz, VCC = 2.4 V Output transistors "off"		0.5	1.5	mA
		Double-speed mode, f(XIN) = 4 MHz Output transistors "off"		5.0	8.0	mA
		Middle-speed mode, f(XIN) = 8 MHz, Output transistors "off"		2.0	5.0	mA
		f(XIN) = 8 MHz (in WIT state) Functions except Timer 1 and Timer 2 stop Output transistors "off"		1.6	3.2	mA
		f(XIN) = 2 MHz, VCC = 2.4 V (in WIT state) Output transistors "off"		0.2		mA
		Increment when A-D conversion is executed f(XIN) = 8 MHz, VCC = 5 V		0.5		mA
		All oscillation stopped (in STP state) Output transistors "off"	Ta = 25 °C	0.1	1.0	μA
	Ta = 85 °C		10	μA		

Notes 1: P11 is measured when the P11/TxD P-channel output disable bit of the UART control register (bit 4 of address 001B16) is "0".
2: RXD, SCLK, SDATA, and INT0 have hysteresis only when bits 0 to 2 of the port P1P3 control register are set to "0" (CMOS level).
3: It is available only when operating key-on wake up.



A-D Converter Characteristics (Extended operating temperature version)

Table 19 A-D Converter characteristics (1) (V_{CC} = 2.7 to 5.5 V, V_{SS} = 0 V, T_a = -40 to 85 °C, unless otherwise noted)

Symbol	Parameter	Test conditions	Limits			Unit
			Min.	Typ.	Max.	
—	Resolution				10	Bits
—	Absolute accuracy (excluding quantization error)	V _{CC} = 2.7 to 5.5 V T _a = 25 °C			±3	LSB
—	Differential nonlinear error	V _{CC} = 2.7 to 5.5 V T _a = 25 °C			±0.9	LSB
VOT	Zero transition voltage	V _{CC} = V _{REF} = 5.12 V	0	5	20	mV
		V _{CC} = V _{REF} = 3.072 V	0	3	15	mV
VFST	Full scale transition voltage	V _{CC} = V _{REF} = 5.12 V	5105	5115	5125	mV
		V _{CC} = V _{REF} = 3.072 V	3060	3069	3075	mV
t _{CONV}	Conversion time			122	t _c (X _{IN})	
RLADDER	Ladder resistor			55	kΩ	
I _{VREF}	Reference power source input current	V _{REF} = 5.0 V	50	150	200	μA
		V _{REF} = 3.0 V	30	70	120	
I _{I(AD)}	A-D port input current			5.0	μA	

Timing Requirements (Extended operating temperature version)

Table 20 Timing requirements (1) (Vcc = 4.0 to 5.5 V, Vss = 0 V, Ta = -40 to 85 °C, unless otherwise noted)

Symbol	Parameter	Limits			Unit
		Min.	Typ.	Max.	
tw(RESET)	Reset input "L" pulse width	2			μs
tc(XIN)	External clock input cycle time	125			ns
tWH(XIN)	External clock input "H" pulse width	50			ns
tWL(XIN)	External clock input "L" pulse width	50			ns
tc(CNTR)	CNTRo input cycle time	200			ns
tWH(CNTR)	CNTRo, INT0 input "H" pulse width	80			ns
tWL(CNTR)	CNTRo, INT0 input "L" pulse width	80			ns
tc(SCLK)	Serial I/O2 clock input cycle time	1000			ns
tWH(SCLK)	Serial I/O2 clock input "H" pulse width	400			ns
tWL(SCLK)	Serial I/O2 clock input "L" pulse width	400			ns
tsu(SCLK-SDATA)	Serial I/O2 input set up time	200			ns
th(SCLK-SDATA)	Serial I/O2 input hold time	200			ns

Table 21 Timing requirements (2) (Vcc = 2.4 to 5.5 V, Vss = 0 V, Ta = -40 to 85 °C, unless otherwise noted)

Symbol	Parameter	Limits			Unit
		Min.	Typ.	Max.	
tw(RESET)	Reset input "L" pulse width	2			μs
tc(XIN)	External clock input cycle time	250			ns
tWH(XIN)	External clock input "H" pulse width	100			ns
tWL(XIN)	External clock input "L" pulse width	100			ns
tc(CNTR)	CNTRo input cycle time	500			ns
tWH(CNTR)	CNTRo, INT0 input "H" pulse width	230			ns
tWL(CNTR)	CNTRo, INT0 input "L" pulse width	230			ns
tc(SCLK)	Serial I/O2 clock input cycle time	2000			ns
tWH(SCLK)	Serial I/O2 clock input "H" pulse width	950			ns
tWL(SCLK)	Serial I/O2 clock input "L" pulse width	950			ns
tsu(SCLK-SDATA)	Serial I/O2 input set up time	400			ns
th(SCLK-SDATA)	Serial I/O2 input hold time	400			ns

Switching Characteristics (Extended operating temperature version)

Table 22 Switching characteristics (1) (Vcc = 4.0 to 5.5 V, Vss = 0 V, Ta = -40 to 85 °C, unless otherwise noted)

Symbol	Parameter	Limits			Unit
		Min.	Typ.	Max.	
t _{WH} (SCLK)	Serial I/O2 clock output "H" pulse width	t _c (SCLK)/2-30			ns
t _{WL} (SCLK)	Serial I/O2 clock output "L" pulse width	t _c (SCLK)/2-30			ns
t _d (SCLK-SDATA)	Serial I/O2 output delay time			140	ns
t _v (SCLK-SDATA)	Serial I/O2 output valid time	0			ns
t _r (SCLK)	Serial I/O2 clock output rising time			30	ns
t _f (SCLK)	Serial I/O2 clock output falling time			30	ns
t _r (CMOS)	CMOS output rising time (Note 1)		10	30	ns
t _f (CMOS)	CMOS output falling time (Note 1)		10	30	ns

Note 1: Pin XOUT is excluded.

Table 23 Switching characteristics (2) (Vcc = 2.4 to 5.5 V, Vss = 0 V, Ta = -40 to 85 °C, unless otherwise noted)

Symbol	Parameter	Limits			Unit
		Min.	Typ.	Max.	
t _{WH} (SCLK)	Serial I/O2 clock output "H" pulse width	t _c (SCLK)/2-50			ns
t _{WL} (SCLK)	Serial I/O2 clock output "L" pulse width	t _c (SCLK)/2-50			ns
t _d (SCLK-SDATA)	Serial I/O2 output delay time			350	ns
t _v (SCLK-SDATA)	Serial I/O2 output valid time	0			ns
t _r (SCLK)	Serial I/O2 clock output rising time			50	ns
t _f (SCLK)	Serial I/O2 clock output falling time			50	ns
t _r (CMOS)	CMOS output rising time (Note 1)		20	50	ns
t _f (CMOS)	CMOS output falling time (Note 1)		20	50	ns

Note 1: Pin XOUT is excluded.

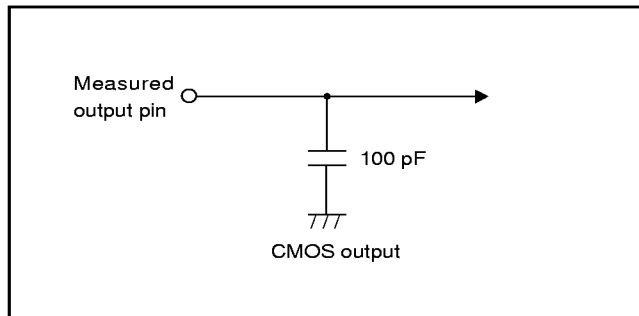


Fig. 47 Switching characteristics measurement circuit diagram (Extended operating temperature version)

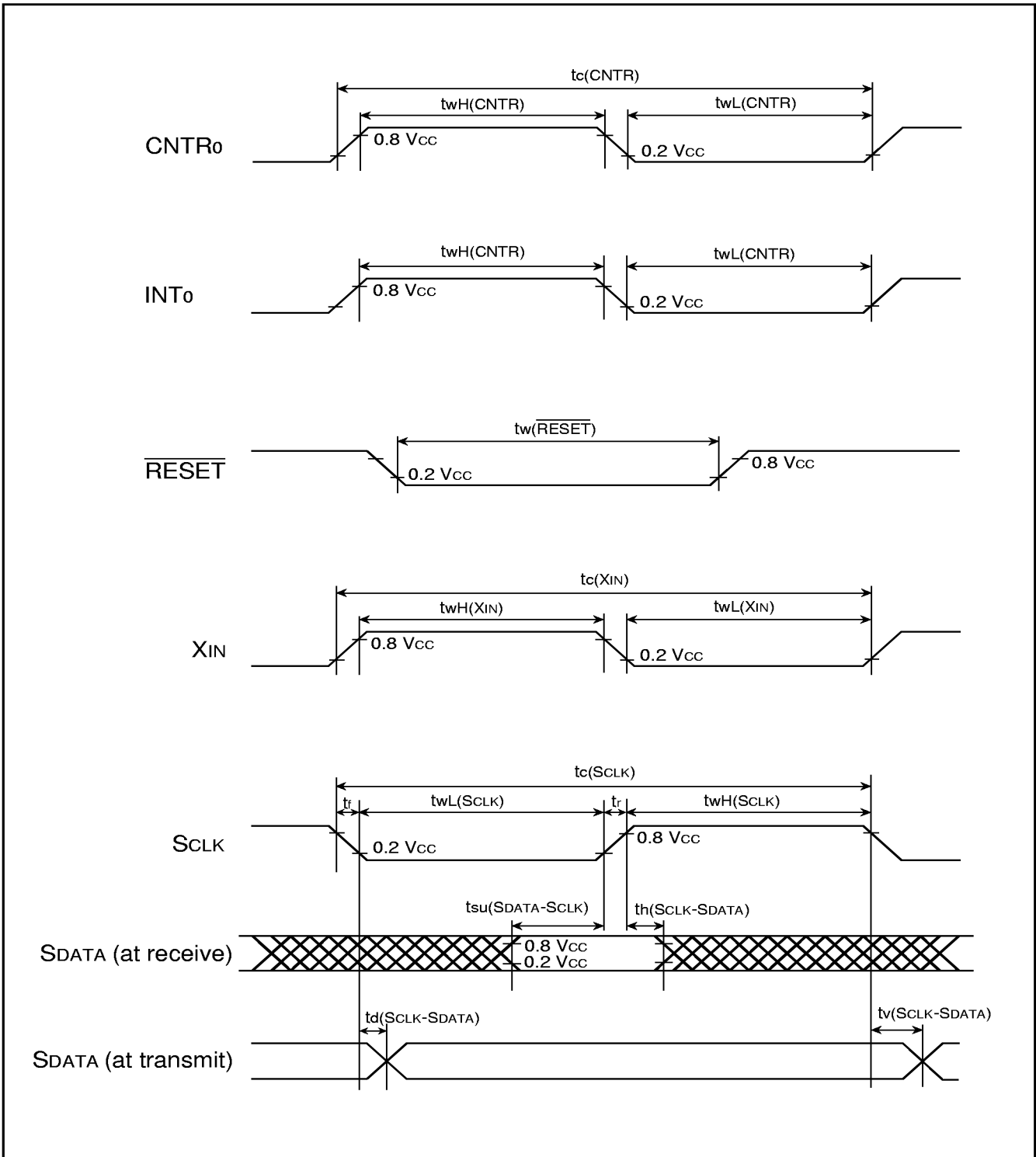


Fig. 48 Timing chart (Extended operating temperature version)

3.7531Group (Extended operating temperature 125 °C version)

Applied to: M37531M4V-XXXGP, M37531E4V-XXXGP

Absolute Maximum Ratings (Extended operating temperature 125 °C version)**Table 24 Absolute maximum ratings**

Symbol	Parameter	Conditions	Ratings	Unit
V _{CC}	Power source voltage		-0.3 to 7.0	V
V _I	Input voltage P00-P07, P10-P14, P20-P25, P30-P34, P37, VREF	All voltages are based on V _{SS} . Output transistors are cut off.	-0.3 to V _{CC} + 0.3	V
V _I	Input voltage RESET, XIN		-0.3 to V _{CC} + 0.3	V
V _I	Input voltage CNVSS (Note 1)		-0.3 to 13	V
V _O	Output voltage P00-P07, P10-P14, P20-P25, P30-P34, P37, XOUT		-0.3 to V _{CC} + 0.3	V
P _d	Power dissipation		T _a = 25°C	200
T _{opr}	Operating temperature (Note 2)		-40 to 125	°C
T _{stg}	Storage temperature		-65 to 150	°C

Notes 1: It is a rating only for the One Time PROM version. Connect to V_{SS} for the mask ROM version.**2:** The total time is limited as follows:

6000 hours at 55 to 85 °C, 1000 hours at 85 to 125 °C

Recommended Operating Conditions (Extended operating temperature 125 °C version)

Table 25 Recommended operating conditions (1) (Vcc = 2.4 to 5.5 V, Ta = -40 to 125 °C, unless otherwise noted)

Symbol	Parameter		Limits			Unit
			Min.	Typ.	Max.	
VCC	Power source voltage (ceramic)	f(XIN) = 8 MHz (High-, Middle-speed mode)	4.0	5.0	5.5	V
		f(XIN) = 4 MHz (High-, Middle-speed mode)	2.4	5.0	5.5	V
		f(XIN) = 4 MHz (Double-speed mode)	4.0	5.0	5.5	V
		f(XIN) = 2 MHz (Double-speed mode)	2.4	5.0	5.5	V
	Power source voltage (CR)	f(XIN) = 4 MHz (High-, Middle-speed mode)	4.0	5.0	5.5	V
		f(XIN) = 2 MHz (High-, Middle-speed mode)	2.4	5.0	5.5	V
VSS	Power source voltage			0		V
VREF	Analog reference voltage		2.0		Vcc	V
VIH	"H" input voltage	P00-P07, P10-P14, P20-P25, P30-P34, P37	0.8Vcc		Vcc	V
VIH	"H" input voltage (TTL input level selected)	P10, P12, P13, P37 (Note 1)	2.0		Vcc	V
VIH	"H" input voltage	RESET, XIN	0.8Vcc		Vcc	V
VIL	"L" input voltage	P00-P07, P10-P14, P20-P25, P30-P34, P37	0		0.3Vcc	V
VIL	"L" input voltage (TTL input level selected)	P10, P12, P13, P37 (Note 1)	0		0.8	V
VIL	"L" input voltage	RESET, CNVss	0		0.2Vcc	V
VIL	"L" input voltage	XIN	0		0.16Vcc	V
ΣIOH(peak)	"H" total peak output current (Note 2)	P00-P07, P10-P14, P20-P25, P30-P34, P37			-80	mA
ΣIOL(peak)	"L" total peak output current (Note 2)	P00-P07, P10-P14, P20-P25, P37			80	mA
ΣIOL(peak)	"L" total peak output current (Note 2)	P30-P34			60	mA
ΣIOH(avg)	"H" total average output current (Note 2)	P00-P07, P10-P14, P20-P25, P30-P34, P37			-40	mA
ΣIOL(avg)	"L" total average output current (Note 2)	P00-P07, P10-P14, P20-P25, P37			40	mA
ΣIOL(avg)	"L" total average output current (Note 2)	P30-P34			30	mA

Note 1: Vcc = 4.0 to 5.5V

2: The total output current is the sum of all the currents flowing through all the applicable ports. The total average current is an average value measured over 100 ms. The total peak current is the peak value of all the currents.

Recommended Operating Conditions (Extended operating temperature 125 °C version) (continued)

Table 26 Recommended operating conditions (2) (VCC = 2.4 to 5.5 V, Ta = -40 to 125 °C, unless otherwise noted)

Symbol	Parameter		Limits			Unit
			Min.	Typ.	Max.	
IOH(peak)	"H" peak output current (Note 1)	P00-P07, P10-P14, P20-P25, P30-P34, P37			-10	mA
IOL(peak)	"L" peak output current (Note 1)	P00-P07, P10-P14, P20-P25, P37			10	mA
IOL(peak)	"L" peak output current (Note 1)	P30-P34			30	mA
IOH(avg)	"H" average output current (Note 2)	P00-P07, P10-P14, P20-P25, P30-P34, P37			-5	mA
IOL(avg)	"L" average output current (Note 2)	P00-P07, P10-P14, P20-P25, P37			5	mA
IOL(avg)	"L" average output current (Note 2)	P30-P34			15	mA
f(XIN)	Internal clock oscillation frequency (Note 3) at ceramic oscillation or external clock input	VCC = 4.0 to 5.5 V Double-speed mode			4	MHz
	Internal clock oscillation frequency (Note 3) at ceramic oscillation or external clock input	VCC = 2.4 to 5.5 V Double-speed mode			2	MHz
	Internal clock oscillation frequency (Note 3) at ceramic oscillation or external clock input	VCC = 4.0 to 5.5 V High-, Middle-speed mode			8	MHz
	Internal clock oscillation frequency (Note 3) at ceramic oscillation or external clock input	VCC = 2.4 to 5.5 V High-, Middle-speed mode			4	MHz
	Internal clock oscillation frequency (Note 3) at CR oscillation	VCC = 4.0 to 5.5 V High-, Middle-speed mode			4	MHz
	Internal clock oscillation frequency (Note 3) at CR oscillation	VCC = 2.4 to 5.5 V High-, Middle-speed mode			2	MHz

- Notes 1:** The peak output current is the peak current flowing in each port.
2: The average output current IOL (avg), IOH (avg) in an average value measured over 100 ms.
3: When the oscillation frequency has a duty cycle of 50 %.



Electrical Characteristics (Extended operating temperature 125 °C version)

Table 27 Electrical characteristics (Vcc = 2.4 to 5.5 V, Vss = 0 V, Ta = -40 to 125 °C, unless otherwise noted)

Symbol	Parameter	Test conditions	Limits			Unit
			Min.	Typ.	Max.	
VOH	"H" output voltage P00-P07, P10-P14, P20-P25, P30-P34 (Note 1)	IOH = -5 mA VCC = 4.0 to 5.5 V	VCC-1.5			V
		IOH = -1.0 mA VCC = 2.4 to 5.5 V	VCC-1.0			V
VOL	"L" output voltage P00-P07, P10-P14, P20-P25, P37	IOL = 5 mA VCC = 4.0 to 5.5 V			1.5	V
		IOL = 1.5 mA VCC = 4.0 to 5.5 V			0.3	V
		IOL = 1.0 mA VCC = 2.4 to 5.5 V			1.0	V
VOL	"L" output voltage P30-P34	IOL = 15 mA VCC = 4.0 to 5.5 V			2.0	V
		IOL = 1.5 mA VCC = 4.0 to 5.5 V			0.3	V
		IOL = 10 mA VCC = 2.4 to 5.5 V			1.0	V
VT+-VT-	Hysteresis CNTR0, INT0, (Note 2) P00-P07 (Note 3)		0.4		V	
VT+-VT-	Hysteresis RXD, SCLK, SDATA (Note 2)		0.5		V	
VT+-VT-	Hysteresis RESET		0.5		V	
IiH	"H" input current P00-P07, P10-P14, P20-P25, P30-P34, P37	Vi = VCC (Pin floating. Pull up transistors "off")			5.0	µA
IiH	"H" input current RESET	Vi = VCC			5.0	µA
IiH	"H" input current XIN	Vi = VCC	4.0			µA
IiL	"L" input current P00-P07, P10-P14, P20-P25, P30-P34, P37	Vi = VSS (Pin floating. Pull up transistors "off")			-5.0	µA
IiL	"L" input current RESET, CNVSS	Vi = VSS			-5.0	µA
IiL	"L" input current XIN	Vi = VSS	-4.0			µA
IiL	"L" input current P00-P07, P30-P34, P37	Vi = VSS (Pull up transistors "on")		-0.2	-0.5	mA
VRAM	RAM hold voltage	When clock stopped	2.0		5.5	V
ICC	Power source current	High-speed mode, f(XIN) = 8 MHz Output transistors "off"		5.0	8.0	mA
		High-speed mode, f(XIN) = 2 MHz, VCC = 2.4 V Output transistors "off"		0.5	1.5	mA
		Double-speed mode, f(XIN) = 4 MHz Output transistors "off"		5.0	8.0	mA
		Middle-speed mode, f(XIN) = 8 MHz, Output transistors "off"		2.0	5.0	mA
		f(XIN) = 8 MHz (in WIT state) Functions except Timer 1 and Timer 2 stop Output transistors "off"		1.6	3.2	mA
		f(XIN) = 2 MHz, VCC = 2.4 V (in WIT state) Output transistors "off"		0.2		mA
		Increment when A-D conversion is executed f(XIN) = 8 MHz, VCC = 5 V		0.5		mA
		All oscillation stopped (in STP state) Output transistors "off"	Ta = 25 °C	0.1	1.0	µA
	Ta = 125 °C		50	µA		

Notes 1: P11 is measured when the P11/TxD P-channel output disable bit of the UART control register (bit 4 of address 001B16) is "0".
2: RXD, SCLK, SDATA, and INT0 have hysteresis only when bits 0 to 2 of the port P1P3 control register are set to "0" (CMOS level).
3: It is available only when operating key-on wake up.



A-D Converter Characteristics (Extended operating temperature 125 °C version)

Table 28 A-D Converter characteristics (1) (V_{CC} = 2.7 to 5.5 V, V_{SS} = 0 V, T_a = -40 to 125 °C, unless otherwise noted)

Symbol	Parameter	Test conditions	Limits			Unit
			Min.	Typ.	Max.	
—	Resolution				10	Bits
—	Absolute accuracy (excluding quantization error)	V _{CC} = 2.7 to 5.5 V T _a = 25 °C			±3	LSB
—	Differential nonlinear error	V _{CC} = 2.7 to 5.5 V T _a = 25 °C			±0.9	LSB
VOT	Zero transition voltage	V _{CC} = V _{REF} = 5.12 V	0	5	20	mV
		V _{CC} = V _{REF} = 3.072 V	0	3	15	mV
VFST	Full scale transition voltage	V _{CC} = V _{REF} = 5.12 V	5105	5115	5125	mV
		V _{CC} = V _{REF} = 3.072 V	3060	3069	3075	mV
tCONV	Conversion time			122	t _c (X _{IN})	
RLADDER	Ladder resistor			55	kΩ	
I _{VREF}	Reference power source input current	V _{REF} = 5.0 V	50	150	200	μA
		V _{REF} = 3.0 V	30	70	120	
I _{I(AD)}	A-D port input current			5.0	μA	

Timing Requirements (Extended operating temperature 125 °C version)

Table 29 Timing requirements (1) (Vcc = 4.0 to 5.5 V, Vss = 0 V, Ta = -40 to 125 °C, unless otherwise noted)

Symbol	Parameter	Limits			Unit
		Min.	Typ.	Max.	
tw(RESET)	Reset input "L" pulse width	2			μs
tc(XIN)	External clock input cycle time	125			ns
tWH(XIN)	External clock input "H" pulse width	50			ns
tWL(XIN)	External clock input "L" pulse width	50			ns
tc(CNTR)	CNTR0 input cycle time	200			ns
tWH(CNTR)	CNTR0, INT0 input "H" pulse width	80			ns
tWL(CNTR)	CNTR0, INT0 input "L" pulse width	80			ns
tc(SCLK)	Serial I/O2 clock input cycle time	1000			ns
tWH(SCLK)	Serial I/O2 clock input "H" pulse width	400			ns
tWL(SCLK)	Serial I/O2 clock input "L" pulse width	400			ns
tsu(SCLK-SDATA)	Serial I/O2 input set up time	200			ns
th(SCLK-SDATA)	Serial I/O2 input hold time	200			ns

Table 30 Timing requirements (2) (Vcc = 2.4 to 5.5 V, Vss = 0 V, Ta = -40 to 125 °C, unless otherwise noted)

Symbol	Parameter	Limits			Unit
		Min.	Typ.	Max.	
tw(RESET)	Reset input "L" pulse width	2			μs
tc(XIN)	External clock input cycle time	250			ns
tWH(XIN)	External clock input "H" pulse width	100			ns
tWL(XIN)	External clock input "L" pulse width	100			ns
tc(CNTR)	CNTR0 input cycle time	500			ns
tWH(CNTR)	CNTR0, INT0, input "H" pulse width	230			ns
tWL(CNTR)	CNTR0, INT0, input "L" pulse width	230			ns
tc(SCLK)	Serial I/O2 clock input cycle time	2000			ns
tWH(SCLK)	Serial I/O2 clock input "H" pulse width	950			ns
tWL(SCLK)	Serial I/O2 clock input "L" pulse width	950			ns
tsu(SCLK-SDATA)	Serial I/O2 input set up time	400			ns
th(SCLK-SDATA)	Serial I/O2 input hold time	400			ns

Switching Characteristics (Extended operating temperature 125 °C version)

Table 31 Switching characteristics (1) (Vcc = 4.0 to 5.5 V, Vss = 0 V, Ta = -40 to 125 °C, unless otherwise noted)

Symbol	Parameter	Limits			Unit
		Min.	Typ.	Max.	
t _{WH} (SCLK)	Serial I/O2 clock output "H" pulse width	t _c (SCLK)/2-50			ns
t _{WL} (SCLK)	Serial I/O2 clock output "L" pulse width	t _c (SCLK)/2-50			ns
t _d (SCLK-SDATA)	Serial I/O2 output delay time			200	ns
t _v (SCLK-SDATA)	Serial I/O2 output valid time	0			ns
t _r (SCLK)	Serial I/O2 clock output rising time			50	ns
t _f (SCLK)	Serial I/O2 clock output falling time			50	ns
t _r (CMOS)	CMOS output rising time (Note 1)		10	50	ns
t _f (CMOS)	CMOS output falling time (Note 1)		10	50	ns

Note 1: Pin XOUT is excluded.

Table 32 Switching characteristics (2) (Vcc = 2.4 to 5.5 V, Vss = 0 V, Ta = -40 to 125 °C, unless otherwise noted)

Symbol	Parameter	Limits			Unit
		Min.	Typ.	Max.	
t _{WH} (SCLK)	Serial I/O2 clock output "H" pulse width	t _c (SCLK)/2-80			ns
t _{WL} (SCLK)	Serial I/O2 clock output "L" pulse width	t _c (SCLK)/2-80			ns
t _d (SCLK-SDATA)	Serial I/O2 output delay time			400	ns
t _v (SCLK-SDATA)	Serial I/O2 output valid time	0			ns
t _r (SCLK)	Serial I/O2 clock output rising time			80	ns
t _f (SCLK)	Serial I/O2 clock output falling time			80	ns
t _r (CMOS)	CMOS output rising time (Note 1)		20	80	ns
t _f (CMOS)	CMOS output falling time (Note 1)		20	80	ns

Note 1: Pin XOUT is excluded.

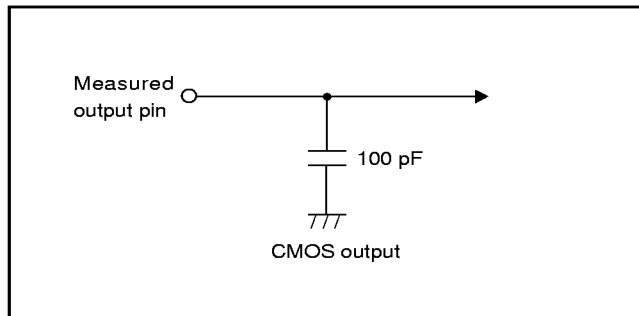


Fig. 49 Switching characteristics measurement circuit diagram (Extended operating temperature 125 °C version)

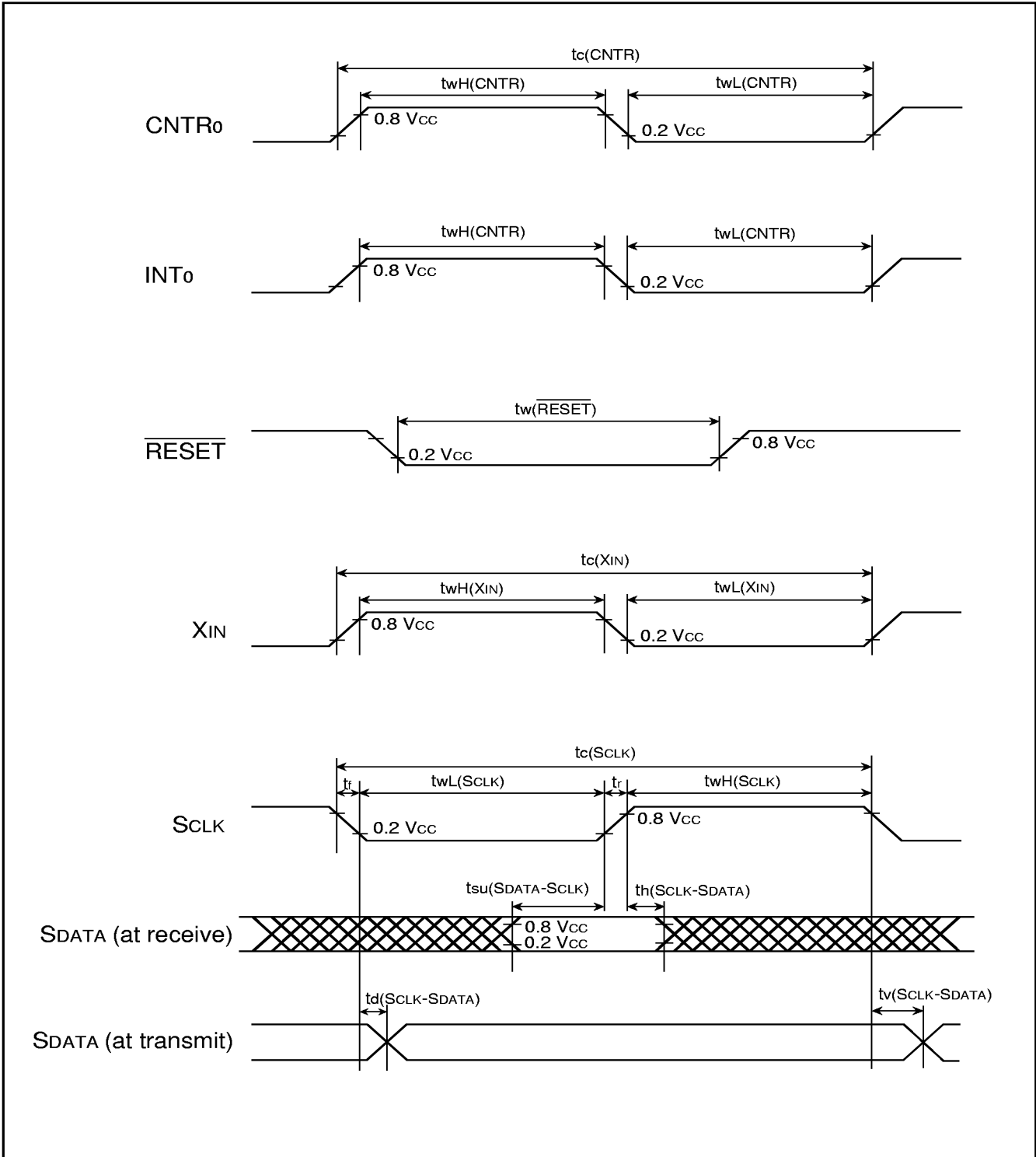


Fig. 50 Timing chart (Extended operating temperature 125 °C version)

MASK ROM CONFIRMATION FORM

GZZ-SH52-89B<85B0>

Mask ROM number	
-----------------	--

**740 FAMILY MASK ROM CONFIRMATION FORM
SINGLE-CHIP MICROCOMPUTER
M37531M4-XXXFP/GP/SP
MITSUBISHI ELECTRIC**

Receipt	Date:	
	Section head signature	Supervisor signature

Note : Please fill in all items marked *.

*	Customer	Company name	TEL ()	Issuance signature	Submitted by	Supervisor
		Date issued	Date:			

* 1. Confirmation

Specify the name of the product being ordered and the type of EPROMs submitted.

Three EPROMs are required for each pattern (Check @ in the appropriate box).

If at least two of the three sets of EPROMs submitted contain identical data, we will produce masks based on this data. We shall assume the responsibility for errors only if the mask ROM data on the products we produce differs from this data. Thus, extreme care must be taken to verify the data in the submitted EPROMs.

Microcomputer name : M37531M4-XXXFP M37531M4-XXXGP M37531M4-XXXSP

Checksum code for entire EPROM

--	--	--	--

 (hexadecimal notation)

EPROM type (indicate the type used)

<input type="checkbox"/> 27C256 EPROM address 0000 ₁₆ Area for ASCII codes of the name of the product 'M37531M4-' 000F ₁₆ 0010 ₁₆ 607F ₁₆ 6080 ₁₆ Data ROM (8K-130) bytes 7FFD ₁₆ 7FFE ₁₆ 7FFF ₁₆	<input type="checkbox"/> 27C512 EPROM address 0000 ₁₆ Area for ASCII codes of the name of the product 'M37531M4-' 000F ₁₆ 0010 ₁₆ E07F ₁₆ E080 ₁₆ Data ROM (8K-130) bytes FFFD ₁₆ FFFE ₁₆ FFFF ₁₆
---	---

In the address space of the microcomputer, the internal ROM area is from addresses E080₁₆ to FFFD₁₆. The reset vector is stored in addresses FFFC₁₆ and FFFD₁₆.

- (1) Set "FF₁₆" in the shaded area.
- (2) Write the ASCII codes that indicates the name of the product 'M37531M4-' to addresses 0000₁₆ to 000F₁₆. ASCII codes 'M37531M4-' are listed on the right. The addresses and data are in hexadecimal notation.

Address		Address
0000 ₁₆	'M' = 4D ₁₆	0008 ₁₆
0001 ₁₆	'3' = 33 ₁₆	0009 ₁₆
0002 ₁₆	'7' = 37 ₁₆	000A ₁₆
0003 ₁₆	'5' = 35 ₁₆	000B ₁₆
0004 ₁₆	'3' = 33 ₁₆	000C ₁₆
0005 ₁₆	'1' = 31 ₁₆	000D ₁₆
0006 ₁₆	'M' = 4D ₁₆	000E ₁₆
0007 ₁₆	'4' = 34 ₁₆	000F ₁₆
		'-' = 2D ₁₆
		FF ₁₆
		FF ₁₆
		FF ₁₆
		FF ₁₆
		FF ₁₆
		FF ₁₆



GZZ-SH52-89B<85B0>

Mask ROM number	
-----------------	--

**740 FAMILY MASK ROM CONFIRMATION FORM
SINGLE-CHIP MICROCOMPUTER M37531M4-XXXFP/GP/SP
MITSUBISHI ELECTRIC**

Recommend to writing the following pseudo-command to the assembler source file :

EPROM type	27C256	27C512
The pseudo-command	$\Delta^*=\Delta\$8000$ $\Delta.BYTE \Delta'M37531M4'$	$\Delta^*=\Delta\$0000$ $\Delta.BYTE \Delta'M37531M4'$

ASCII codes, that indicates the name of the product, are written in addresses 0000₁₆ to 0008₁₆ of the EPROM by programming the above pseudo-command, which depends on a type of EPROM to be written, at beginning of the source program.

Note : If the name of the product written to the EPROMs does not match the name of the mask confirmation, the ROM processing is disabled. Write the data correctly.

* 2. Mark specification

Mark specification must be submitted using the correct form for the package being ordered fill out the appropriate mark specification form (36P2R for M37531M4-XXXFP, 32P6B for M37531M4-XXXGP, 32P4B for M37531M4-XXXSP) and attach to the mask ROM confirmation form.

* 3. Usage conditions

Please answer the following questions about usage for use in our product inspection :

(1) How will you use the XIN-XOUT oscillator?

- Ceramic resonator
 External clock input Other ()

At what frequency? f(XIN) = MHz

* 4. Comments



GZZ-SH52-90B<85B0>

Mask ROM number	
-----------------	--

740 FAMILY MASK ROM CONFIRMATION FORM
SINGLE-CHIP MICROCOMPUTER
M37531M4T-XXXGP
MITSUBISHI ELECTRIC

Receipt	Date:	
	Section head signature	Supervisor signature

Note : Please fill in all items marked *.

*	Customer	Company name	TEL ()	Issuance signature	Submitted by	Supervisor
		Date issued	Date:			

* 1. Confirmation

Specify the type of EPROMs submitted.

Three EPROMs are required for each pattern (Check @ in the appropriate box).

If at least two of the three sets of EPROMs submitted contain identical data, we will produce masks based on this data. We shall assume the responsibility for errors only if the mask ROM data on the products we produce differs from this data. Thus, extreme care must be taken to verify the data in the submitted EPROMs.

Checksum code for entire EPROM

--	--	--	--

(hexadecimal notation)

EPROM type (indicate the type used)

<input type="checkbox"/> 27C256	<input type="checkbox"/> 27C512																								
<p>EPROM address</p> <table border="1"> <tr> <td>0000₁₆</td> <td rowspan="3">Area for ASCII codes of the name of the product 'M37531M4T-'</td> </tr> <tr> <td>000F₁₆</td> </tr> <tr> <td>0010₁₆</td> </tr> <tr> <td>607F₁₆</td> <td rowspan="3">Data ROM (8K-130) bytes</td> </tr> <tr> <td>6080₁₆</td> </tr> <tr> <td>7FFD₁₆</td> </tr> <tr> <td>7FFE₁₆</td> <td></td> </tr> <tr> <td>7FFF₁₆</td> <td></td> </tr> </table>	0000 ₁₆	Area for ASCII codes of the name of the product 'M37531M4T-'	000F ₁₆	0010 ₁₆	607F ₁₆	Data ROM (8K-130) bytes	6080 ₁₆	7FFD ₁₆	7FFE ₁₆		7FFF ₁₆		<p>EPROM address</p> <table border="1"> <tr> <td>0000₁₆</td> <td rowspan="3">Area for ASCII codes of the name of the product 'M37531M4T-'</td> </tr> <tr> <td>000F₁₆</td> </tr> <tr> <td>0010₁₆</td> </tr> <tr> <td>E07F₁₆</td> <td rowspan="3">Data ROM (8K-130) bytes</td> </tr> <tr> <td>E080₁₆</td> </tr> <tr> <td>FFFD₁₆</td> </tr> <tr> <td>FFFE₁₆</td> <td></td> </tr> <tr> <td>FFFF₁₆</td> <td></td> </tr> </table>	0000 ₁₆	Area for ASCII codes of the name of the product 'M37531M4T-'	000F ₁₆	0010 ₁₆	E07F ₁₆	Data ROM (8K-130) bytes	E080 ₁₆	FFFD ₁₆	FFFE ₁₆		FFFF ₁₆	
0000 ₁₆	Area for ASCII codes of the name of the product 'M37531M4T-'																								
000F ₁₆																									
0010 ₁₆																									
607F ₁₆	Data ROM (8K-130) bytes																								
6080 ₁₆																									
7FFD ₁₆																									
7FFE ₁₆																									
7FFF ₁₆																									
0000 ₁₆	Area for ASCII codes of the name of the product 'M37531M4T-'																								
000F ₁₆																									
0010 ₁₆																									
E07F ₁₆	Data ROM (8K-130) bytes																								
E080 ₁₆																									
FFFD ₁₆																									
FFFE ₁₆																									
FFFF ₁₆																									

In the address space of the microcomputer, the internal ROM area is from addresses E080₁₆ to FFFD₁₆. The reset vector is stored in addresses FFFC₁₆ and FFFD₁₆.

- Set "FF₁₆" in the shaded area.
- Write the ASCII codes that indicates the name of the product 'M37531M4T-' to addresses 0000₁₆ to 000F₁₆. ASCII codes 'M37531M4T-' are listed on the right. The addresses and data are in hexadecimal notation.

Address	'M' = 4D ₁₆	Address	'T' = 54 ₁₆
0000 ₁₆		0008 ₁₆	'-' = 2D ₁₆
0001 ₁₆	'3' = 33 ₁₆	0009 ₁₆	FF ₁₆
0002 ₁₆	'7' = 37 ₁₆	000A ₁₆	FF ₁₆
0003 ₁₆	'5' = 35 ₁₆	000B ₁₆	FF ₁₆
0004 ₁₆	'3' = 33 ₁₆	000C ₁₆	FF ₁₆
0005 ₁₆	'1' = 31 ₁₆	000D ₁₆	FF ₁₆
0006 ₁₆	'M' = 4D ₁₆	000E ₁₆	FF ₁₆
0007 ₁₆	'4' = 34 ₁₆	000F ₁₆	FF ₁₆



GZZ-SH52-90B<85B0>

Mask ROM number	
-----------------	--

**740 FAMILY MASK ROM CONFIRMATION FORM
SINGLE-CHIP MICROCOMPUTER M37531M4T-XXXGP
MITSUBISHI ELECTRIC**

Recommend to writing the following pseudo-command to the assembler source file :

EPROM type	27C256	27C512
The pseudo-command	$\Delta^*=\Delta\$8000$ $\Delta.BYTE \Delta'M37531M4T'$	$\Delta^*=\Delta\$0000$ $\Delta.BYTE \Delta'M37531M4T'$

ASCII codes, that indicates the name of the product, are written in addresses 0000₁₆ to 0008₁₆ of the EPROM by programming the above pseudo-command, which depends on the type of EPROM to be written, at beginning of the source program.

Note : If the name of the product written to the EPROMs does not match the name of the mask confirmation, the ROM processing is disabled. Write the data correctly.

* 2. Mark specification

Mark specification must be submitted using the correct form for the package being ordered fill out the appropriate mark specification form (32P6B for M37531M4T-XXXGP) and attach to the mask ROM confirmation form.

* 3. Usage conditions

Please answer the following questions about usage for use in our product inspection :

(1) How will you use the XIN-XOUT oscillator?

- Ceramic resonator
 External clock input Other ()

At what frequency? f(XIN) = MHz

* 4. Comments



GZZ-SH53-64B<87B0>

Mask ROM number	
-----------------	--

**740 FAMILY MASK ROM CONFIRMATION FORM
SINGLE-CHIP MICROCOMPUTER
M37531M8-XXXFP/GP/SP
MITSUBISHI ELECTRIC**

Receipt	Date:	
	Section head signature	Supervisor signature

Note : Please fill in all items marked *.

*	Customer	Company name	TEL ()	Issuance signature	Submitted by	Supervisor
		Date issued	Date:			

* 1. Confirmation

Specify the name of the product being ordered and the type of EPROMs submitted.

Three EPROMs are required for each pattern (Check @ in the appropriate box).

If at least two of the three sets of EPROMs submitted contain identical data, we will produce masks based on this data. We shall assume the responsibility for errors only if the mask ROM data on the products we produce differs from this data. Thus, extreme care must be taken to verify the data in the submitted EPROMs.

Microcomputer name : M37531M8-XXXFP M37531M8-XXXGP M37531M8-XXXSP

Checksum code for entire EPROM

--	--	--	--

 (hexadecimal notation)

EPROM type (indicate the type used)

<input type="checkbox"/> 27C256 EPROM address 0000 ₁₆ Area for ASCII codes of the name of the product 'M37531M8-' 000F ₁₆ 0010 ₁₆ 407F ₁₆ 4080 ₁₆ Data ROM (16K-130) bytes 7FFD ₁₆ 7FFE ₁₆ 7FFF ₁₆	<input type="checkbox"/> 27C512 EPROM address 0000 ₁₆ Area for ASCII codes of the name of the product 'M37531M8-' 000F ₁₆ 0010 ₁₆ C07F ₁₆ C080 ₁₆ Data ROM (16K-130) bytes FFFD ₁₆ FFFE ₁₆ FFFF ₁₆
--	--

In the address space of the microcomputer, the internal ROM area is from addresses C080₁₆ to FFFD₁₆. The reset vector is stored in addresses FFFC₁₆ and FFFD₁₆.

- (1) Set "FF₁₆" in the shaded area.
- (2) Write the ASCII codes that indicates the name of the product 'M37531M8-' to addresses 0000₁₆ to 000F₁₆. ASCII codes 'M37531M8-' are listed on the right. The addresses and data are in hexadecimal notation.

Address		Address
0000 ₁₆	'M' = 4D ₁₆	0008 ₁₆
0001 ₁₆	'3' = 33 ₁₆	'-' = 2D ₁₆
0002 ₁₆	'7' = 37 ₁₆	0009 ₁₆
0003 ₁₆	'5' = 35 ₁₆	FF ₁₆
0004 ₁₆	'3' = 33 ₁₆	000A ₁₆
0005 ₁₆	'1' = 31 ₁₆	FF ₁₆
0006 ₁₆	'M' = 4D ₁₆	000B ₁₆
0007 ₁₆	'8' = 38 ₁₆	FF ₁₆
		000C ₁₆
		FF ₁₆
		000D ₁₆
		FF ₁₆
		000E ₁₆
		FF ₁₆
		000F ₁₆
		FF ₁₆



GZZ-SH53-64B<87B0>

Mask ROM number	
-----------------	--

740 FAMILY MASK ROM CONFIRMATION FORM
SINGLE-CHIP MICROCOMPUTER M37531M8-XXXFP/GP/SP
mitsubishi electric

Recommend to writing the following pseudo-command to the assembler source file :

EPROM type	27C256	27C512
The pseudo-command	$\Delta^*=\Delta\$8000$ $\Delta.BYTE \Delta'M37531M8'$	$\Delta^*=\Delta\$0000$ $\Delta.BYTE \Delta'M37531M8'$

ASCII codes, that indicates the name of the product, are written in addresses 0000₁₆ to 000F₁₆ of the EPROM by programming the above pseudo-command, which depends on a type of EPROM to be written, at beginning of the source program.

Note : If the name of the product written to the EPROMs does not match the name of the mask confirmation, the ROM processing is disabled. Write the data correctly.

* 2. Mark specification

Mark specification must be submitted using the correct form for the package being ordered fill out the appropriate mark specification form (36P2R for M37531M8-XXXFP, 32P6B for M37531M8-XXXGP, 32P4B for M37531M8-XXXSP) and attach to the mask ROM confirmation form.

* 3. Usage conditions

Please answer the following questions about usage for use in our product inspection :

(1) How will you use the XIN-XOUT oscillator?

- Ceramic resonator
 External clock input Other ()

At what frequency? f(XIN) = MHz

* 4. Comments



ROM PROGRAMMING CONFIRMATION FORM

GZZ-SH54-78B<91A0>

ROM number	
------------	--

**740 FAMILY ROM PROGRAMMING CONFIRMATION FORM
SINGLE-CHIP MICROCOMPUTER
M37531E4T-XXXGP
MITSUBISHI ELECTRIC**

Receipt	Date:	
	Section head signature	Supervisor signature

Note : Please fill in all items marked *.

* Customer	Company name	TEL ()	Issuance signature	Submitted by	Supervisor
	Date issued	Date:			

* 1. Confirmation

Specify the name of the product being ordered and the type of EPROMs submitted.
Three EPROMs are required for each pattern (Check @ in the appropriate box).
If at least two of the three sets of EPROMs submitted contain identical data, we will produce ROM data based on this data.
We shall assume the responsibility for errors only if the mask ROM data on the products we produce differs from this data.
Thus, extreme care must be taken to verify the data in the submitted EPROMs.

Checksum code for entire EPROM

--	--	--	--

 (hexadecimal notation)

EPROM type (indicate the type used)

<input type="checkbox"/> 27C256	<input type="checkbox"/> 27C512																				
<table border="1" style="width: 100%;"> <tr> <th colspan="2">EPROM address</th> </tr> <tr> <td>0000₁₆</td> <td rowspan="2">Area for ASCII codes of the name of the product 'M37531E4T-'</td> </tr> <tr> <td>000F₁₆ 0010₁₆</td> </tr> <tr> <td>607F₁₆ 6080₁₆</td> <td rowspan="4">Data ROM (8K-130) bytes</td> </tr> <tr> <td style="background-color: #cccccc;">7FFD₁₆</td> </tr> <tr> <td style="background-color: #cccccc;">7FFE₁₆</td> </tr> <tr> <td style="background-color: #cccccc;">7FFF₁₆</td> </tr> </table>	EPROM address		0000 ₁₆	Area for ASCII codes of the name of the product 'M37531E4T-'	000F ₁₆ 0010 ₁₆	607F ₁₆ 6080 ₁₆	Data ROM (8K-130) bytes	7FFD ₁₆	7FFE ₁₆	7FFF ₁₆	<table border="1" style="width: 100%;"> <tr> <th colspan="2">EPROM address</th> </tr> <tr> <td>0000₁₆</td> <td rowspan="2">Area for ASCII codes of the name of the product 'M37531E4T-'</td> </tr> <tr> <td>000F₁₆ 0010₁₆</td> </tr> <tr> <td>E07F₁₆ E080₁₆</td> <td rowspan="4">Data ROM (8K-130) bytes</td> </tr> <tr> <td style="background-color: #cccccc;">FFFD₁₆</td> </tr> <tr> <td style="background-color: #cccccc;">FFFE₁₆</td> </tr> <tr> <td style="background-color: #cccccc;">FFFF₁₆</td> </tr> </table>	EPROM address		0000 ₁₆	Area for ASCII codes of the name of the product 'M37531E4T-'	000F ₁₆ 0010 ₁₆	E07F ₁₆ E080 ₁₆	Data ROM (8K-130) bytes	FFFD ₁₆	FFFE ₁₆	FFFF ₁₆
EPROM address																					
0000 ₁₆	Area for ASCII codes of the name of the product 'M37531E4T-'																				
000F ₁₆ 0010 ₁₆																					
607F ₁₆ 6080 ₁₆	Data ROM (8K-130) bytes																				
7FFD ₁₆																					
7FFE ₁₆																					
7FFF ₁₆																					
EPROM address																					
0000 ₁₆	Area for ASCII codes of the name of the product 'M37531E4T-'																				
000F ₁₆ 0010 ₁₆																					
E07F ₁₆ E080 ₁₆	Data ROM (8K-130) bytes																				
FFFD ₁₆																					
FFFE ₁₆																					
FFFF ₁₆																					

In the address space of the microcomputer, the internal ROM area is from addresses E080₁₆ to FFFD₁₆. The reset vector is stored in addresses FFFC₁₆ and FFFD₁₆.

- (1) Set "FF₁₆" in the shaded area.
- (2) Write the ASCII codes that indicates the name of the product 'M37531E4T-' to addresses 0000₁₆ to 000F₁₆. ASCII codes 'M37531E4T-' are listed on the right. The addresses and data are in hexadecimal notation.

<table border="1"> <tr><td>Address 0000₁₆</td><td>'M' = 4D₁₆</td></tr> <tr><td>0001₁₆</td><td>'3' = 33₁₆</td></tr> <tr><td>0002₁₆</td><td>'7' = 37₁₆</td></tr> <tr><td>0003₁₆</td><td>'5' = 35₁₆</td></tr> <tr><td>0004₁₆</td><td>'3' = 33₁₆</td></tr> <tr><td>0005₁₆</td><td>'1' = 31₁₆</td></tr> <tr><td>0006₁₆</td><td>'E' = 45₁₆</td></tr> <tr><td>0007₁₆</td><td>'4' = 34₁₆</td></tr> </table>	Address 0000 ₁₆	'M' = 4D ₁₆	0001 ₁₆	'3' = 33 ₁₆	0002 ₁₆	'7' = 37 ₁₆	0003 ₁₆	'5' = 35 ₁₆	0004 ₁₆	'3' = 33 ₁₆	0005 ₁₆	'1' = 31 ₁₆	0006 ₁₆	'E' = 45 ₁₆	0007 ₁₆	'4' = 34 ₁₆	<table border="1"> <tr><td>Address 0008₁₆</td><td>'T' = 54₁₆</td></tr> <tr><td>0009₁₆</td><td>'-' = 2D₁₆</td></tr> <tr><td>000A₁₆</td><td>FF₁₆</td></tr> <tr><td>000B₁₆</td><td>FF₁₆</td></tr> <tr><td>000C₁₆</td><td>FF₁₆</td></tr> <tr><td>000D₁₆</td><td>FF₁₆</td></tr> <tr><td>000E₁₆</td><td>FF₁₆</td></tr> <tr><td>000F₁₆</td><td>FF₁₆</td></tr> </table>	Address 0008 ₁₆	'T' = 54 ₁₆	0009 ₁₆	'-' = 2D ₁₆	000A ₁₆	FF ₁₆	000B ₁₆	FF ₁₆	000C ₁₆	FF ₁₆	000D ₁₆	FF ₁₆	000E ₁₆	FF ₁₆	000F ₁₆	FF ₁₆
Address 0000 ₁₆	'M' = 4D ₁₆																																
0001 ₁₆	'3' = 33 ₁₆																																
0002 ₁₆	'7' = 37 ₁₆																																
0003 ₁₆	'5' = 35 ₁₆																																
0004 ₁₆	'3' = 33 ₁₆																																
0005 ₁₆	'1' = 31 ₁₆																																
0006 ₁₆	'E' = 45 ₁₆																																
0007 ₁₆	'4' = 34 ₁₆																																
Address 0008 ₁₆	'T' = 54 ₁₆																																
0009 ₁₆	'-' = 2D ₁₆																																
000A ₁₆	FF ₁₆																																
000B ₁₆	FF ₁₆																																
000C ₁₆	FF ₁₆																																
000D ₁₆	FF ₁₆																																
000E ₁₆	FF ₁₆																																
000F ₁₆	FF ₁₆																																



GZZ-SH54-78B<91A0>

ROM number	
------------	--

**740 FAMILY ROM PROGRAMMING CONFIRMATION FORM
SINGLE-CHIP MICROCOMPUTER M37531E4T-XXXGP
MITSUBISHI ELECTRIC**

Recommend to writing the following pseudo-command to the assembler source file :

EPROM type	27C256	27C512
The pseudo-command	△*≠△\$8000 △.BYTE △'M37531E4T-'	△*≠△\$0000 △.BYTE △'M37531E4T-'

ASCII codes, that indicates the name of the product, are written in addresses 0000₁₆ to 0008₁₆ of the EPROM by programming the above pseudo-command, which depends on a type of EPROM to be written, at beginning of the source program.

Note : If the name of the product written to the EPROMs does not match the name of the ROM programming confirmation form, the ROM processing is disabled. Write the data correctly.

* 2. Mark specification

Mark specification must be submitted using the correct form for the package being ordered fill out the appropriate mark specification form (32P6B for M37531E4T-XXXGP) and attach to the ROM programming confirmation form.

* 3. Usage conditions

Please answer the following questions about usage for use in our product inspection :

(1) How will you use the XIN-XOUT oscillator?

- Ceramic resonator
 External clock input Other ()

At what frequency? f(XIN) = MHz

* 4. Comments



GZZ-SH54-79B<91A0>

ROM number	
------------	--

740 FAMILY ROM PROGRAMMING CONFIRMATION FORM
SINGLE-CHIP MICROCOMPUTER
M37531E4V-XXXGP
MITSUBISHI ELECTRIC

Receipt	Date:	
	Section head signature	Supervisor signature

Note : Please fill in all items marked *.

* Customer	Company name	TEL ()	Issuance signature	Submitted by	Supervisor
	Date issued	Date:			

* 1. Confirmation

Specify the name of the product being ordered and the type of EPROMs submitted.
 Three EPROMs are required for each pattern (Check @ in the appropriate box).
 If at least two of the three sets of EPROMs submitted contain identical data, we will produce ROM data based on this data.
 We shall assume the responsibility for errors only if the mask ROM data on the products we produce differs from this data.
 Thus, extreme care must be taken to verify the data in the submitted EPROMs.

Checksum code for entire EPROM

--	--	--	--

 (hexadecimal notation)

EPROM type (indicate the type used)

<input type="checkbox"/> 27C256	<input type="checkbox"/> 27C512																																				
<table border="1" style="width: 100%;"> <tr> <th style="text-align: left;">EPROM address</th> <th style="text-align: left;">Area for ASCII codes of the name of the product 'M37531E4V-'</th> </tr> <tr> <td>0000₁₆</td> <td></td> </tr> <tr> <td>000F₁₆</td> <td></td> </tr> <tr> <td>0010₁₆</td> <td style="background-color: #cccccc;"></td> </tr> <tr> <td>607F₁₆</td> <td></td> </tr> <tr> <td>6080₁₆</td> <td></td> </tr> <tr> <td>7FFD₁₆</td> <td>Data ROM (8K-130) bytes</td> </tr> <tr> <td>7FFE₁₆</td> <td></td> </tr> <tr> <td>7FFF₁₆</td> <td style="background-color: #cccccc;"></td> </tr> </table>	EPROM address	Area for ASCII codes of the name of the product 'M37531E4V-'	0000 ₁₆		000F ₁₆		0010 ₁₆		607F ₁₆		6080 ₁₆		7FFD ₁₆	Data ROM (8K-130) bytes	7FFE ₁₆		7FFF ₁₆		<table border="1" style="width: 100%;"> <tr> <th style="text-align: left;">EPROM address</th> <th style="text-align: left;">Area for ASCII codes of the name of the product 'M37531E4V-'</th> </tr> <tr> <td>0000₁₆</td> <td></td> </tr> <tr> <td>000F₁₆</td> <td></td> </tr> <tr> <td>0010₁₆</td> <td style="background-color: #cccccc;"></td> </tr> <tr> <td>E07F₁₆</td> <td></td> </tr> <tr> <td>E080₁₆</td> <td></td> </tr> <tr> <td>FFFD₁₆</td> <td>Data ROM (8K-130) bytes</td> </tr> <tr> <td>FFFE₁₆</td> <td></td> </tr> <tr> <td>FFFF₁₆</td> <td style="background-color: #cccccc;"></td> </tr> </table>	EPROM address	Area for ASCII codes of the name of the product 'M37531E4V-'	0000 ₁₆		000F ₁₆		0010 ₁₆		E07F ₁₆		E080 ₁₆		FFFD ₁₆	Data ROM (8K-130) bytes	FFFE ₁₆		FFFF ₁₆	
EPROM address	Area for ASCII codes of the name of the product 'M37531E4V-'																																				
0000 ₁₆																																					
000F ₁₆																																					
0010 ₁₆																																					
607F ₁₆																																					
6080 ₁₆																																					
7FFD ₁₆	Data ROM (8K-130) bytes																																				
7FFE ₁₆																																					
7FFF ₁₆																																					
EPROM address	Area for ASCII codes of the name of the product 'M37531E4V-'																																				
0000 ₁₆																																					
000F ₁₆																																					
0010 ₁₆																																					
E07F ₁₆																																					
E080 ₁₆																																					
FFFD ₁₆	Data ROM (8K-130) bytes																																				
FFFE ₁₆																																					
FFFF ₁₆																																					

In the address space of the microcomputer, the internal ROM area is from addresses E080₁₆ to FFFD₁₆. The reset vector is stored in addresses FFFC₁₆ and FFFD₁₆.

- (1) Set "FF₁₆" in the shaded area.
- (2) Write the ASCII codes that indicates the name of the product 'M37531E4V-' to addresses 0000₁₆ to 000F₁₆. ASCII codes 'M37531E4V-' are listed on the right. The addresses and data are in hexadecimal notation.

<table border="1" style="width: 100%;"> <tr><td>Address</td><td></td></tr> <tr><td>0000₁₆</td><td>'M' = 4D₁₆</td></tr> <tr><td>0001₁₆</td><td>'3' = 33₁₆</td></tr> <tr><td>0002₁₆</td><td>'7' = 37₁₆</td></tr> <tr><td>0003₁₆</td><td>'5' = 35₁₆</td></tr> <tr><td>0004₁₆</td><td>'3' = 33₁₆</td></tr> <tr><td>0005₁₆</td><td>'1' = 31₁₆</td></tr> <tr><td>0006₁₆</td><td>'E' = 45₁₆</td></tr> <tr><td>0007₁₆</td><td>'4' = 34₁₆</td></tr> </table>	Address		0000 ₁₆	'M' = 4D ₁₆	0001 ₁₆	'3' = 33 ₁₆	0002 ₁₆	'7' = 37 ₁₆	0003 ₁₆	'5' = 35 ₁₆	0004 ₁₆	'3' = 33 ₁₆	0005 ₁₆	'1' = 31 ₁₆	0006 ₁₆	'E' = 45 ₁₆	0007 ₁₆	'4' = 34 ₁₆	<table border="1" style="width: 100%;"> <tr><td>Address</td><td></td></tr> <tr><td>0008₁₆</td><td>'V' = 56₁₆</td></tr> <tr><td>0009₁₆</td><td>'-' = 2D₁₆</td></tr> <tr><td>000A₁₆</td><td>FF₁₆</td></tr> <tr><td>000B₁₆</td><td>FF₁₆</td></tr> <tr><td>000C₁₆</td><td>FF₁₆</td></tr> <tr><td>000D₁₆</td><td>FF₁₆</td></tr> <tr><td>000E₁₆</td><td>FF₁₆</td></tr> <tr><td>000F₁₆</td><td>FF₁₆</td></tr> </table>	Address		0008 ₁₆	'V' = 56 ₁₆	0009 ₁₆	'-' = 2D ₁₆	000A ₁₆	FF ₁₆	000B ₁₆	FF ₁₆	000C ₁₆	FF ₁₆	000D ₁₆	FF ₁₆	000E ₁₆	FF ₁₆	000F ₁₆	FF ₁₆
Address																																					
0000 ₁₆	'M' = 4D ₁₆																																				
0001 ₁₆	'3' = 33 ₁₆																																				
0002 ₁₆	'7' = 37 ₁₆																																				
0003 ₁₆	'5' = 35 ₁₆																																				
0004 ₁₆	'3' = 33 ₁₆																																				
0005 ₁₆	'1' = 31 ₁₆																																				
0006 ₁₆	'E' = 45 ₁₆																																				
0007 ₁₆	'4' = 34 ₁₆																																				
Address																																					
0008 ₁₆	'V' = 56 ₁₆																																				
0009 ₁₆	'-' = 2D ₁₆																																				
000A ₁₆	FF ₁₆																																				
000B ₁₆	FF ₁₆																																				
000C ₁₆	FF ₁₆																																				
000D ₁₆	FF ₁₆																																				
000E ₁₆	FF ₁₆																																				
000F ₁₆	FF ₁₆																																				



GZZ-SH54-79B<91A0>

ROM number	
------------	--

**740 FAMILY ROM PROGRAMMING CONFIRMATION FORM
SINGLE-CHIP MICROCOMPUTER M37531E4V-XXXGP
MITSUBISHI ELECTRIC**

Recommend to writing the following pseudo-command to the assembler source file :

EPROM type	27C256	27C512
The pseudo-command	△*≠△\$8000 △.BYTE △'M37531E4V-'	△*≠△\$0000 △.BYTE △'M37531E4V-'

ASCII codes, that indicates the name of the product, are written in addresses 0000₁₆ to 0008₁₆ of the EPROM by programming the above pseudo-command, which depends on a type of EPROM to be written, at beginning of the source program.

Note : If the name of the product written to the EPROMs does not match the name of the ROM programming confirmation form, the ROM processing is disabled. Write the data correctly.

* 2. Mark specification

Mark specification must be submitted using the correct form for the package being ordered fill out the appropriate mark specification form (32P6B for M37531E4V-XXXGP) and attach to the ROM programming confirmation form.

* 3. Usage conditions

Please answer the following questions about usage for use in our product inspection :

(1) How will you use the XIN-XOUT oscillator?

- Ceramic resonator
 External clock input Other ()

At what frequency? f(XIN) = MHz

* 4. Comments

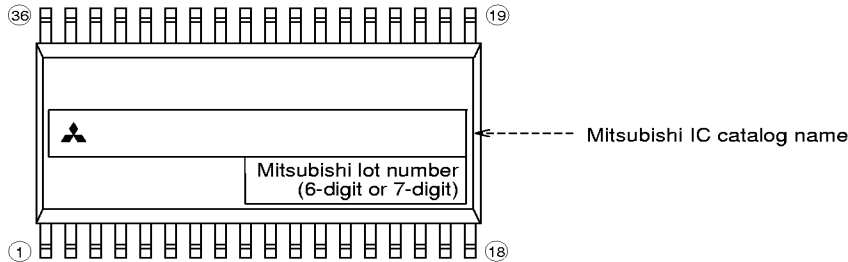


MARK SPECIFICATION FORM
36P2R-A (36-PIN SHRINK SOP) MARK SPECIFICATION FORM

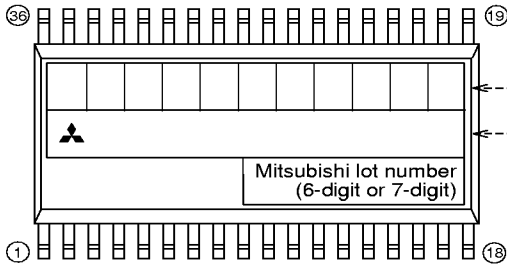
Mitsubishi IC catalog name

Please choose one of the marking types below (A, B, C), and enter the Mitsubishi catalog name and the special mark (if needed).

A. Standard Mitsubishi Mark



B. Customer's Parts Number + Mitsubishi catalog name



Customer's Parts Number

Note : The fonts and size of characters are standard Mitsubishi type.

Mitsubishi IC catalog name

Note1 : The mark field should be written right aligned.

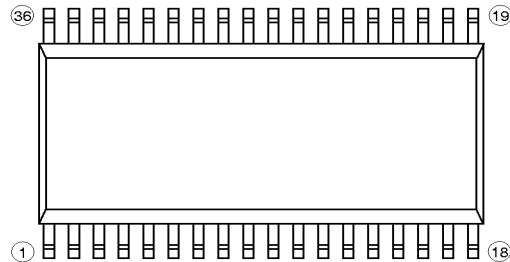
2 : The fonts and size of characters are standard Mitsubishi type.

3 : Customer's Parts Number can be up to 11 characters : Only 0 ~ 9, A ~ Z, +, -, /, (,), &, ©, . (periods), , (commas) are usable.

4 : If the Mitsubishi logo is not required, check the box below.

Mitsubishi logo is not required

C. Special Mark Required



Note1 : If the Special Mark is to be Printed, indicate the desired layout of the mark in the left figure. The layout will be duplicated as close as possible.

Mitsubishi lot number (6-digit or 7-digit) and Mask ROM number (3-digit) are always marked.

2 : If the customer's trade mark logo must be used in the Special Mark, check the box below.

Please submit a clean original of the logo.

For the new special character fonts a clean font original (ideally logo drawing) must be submitted.

Special logo required

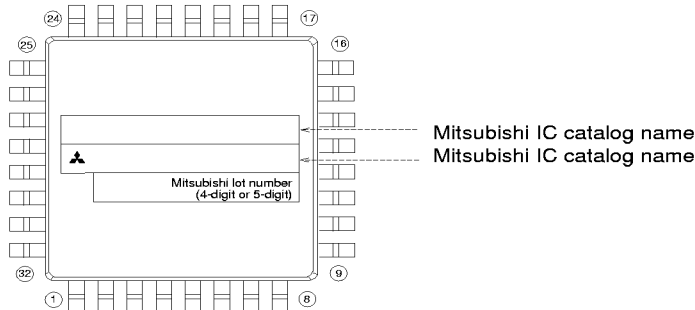
3 : The standard Mitsubishi font is used for all characters except for a logo.

32P6B (32-PIN LQFP) MARK SPECIFICATION FORM

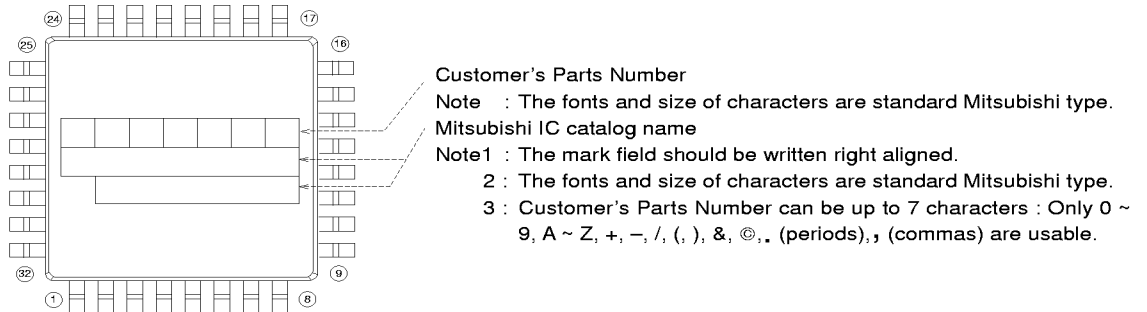
Mitsubishi IC catalog name

Please choose one of the marking types below (A, B), and enter the Mitsubishi catalog name and the special mark (if needed).

A. Standard Mitsubishi Mark



B. Customer's Parts Number + Mitsubishi catalog name

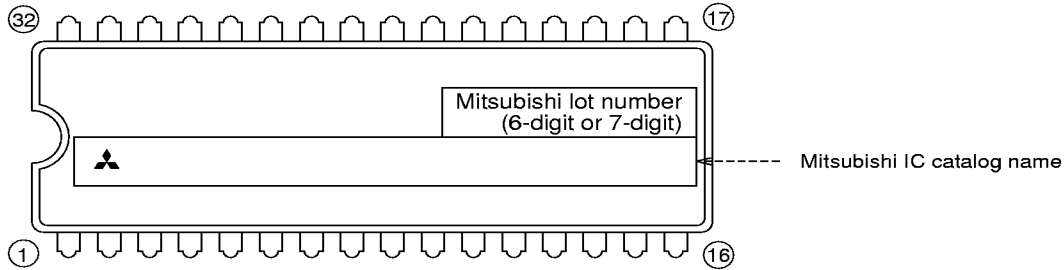


32P4B (32-PIN SHRINK DIP) MARK SPECIFICATION FORM

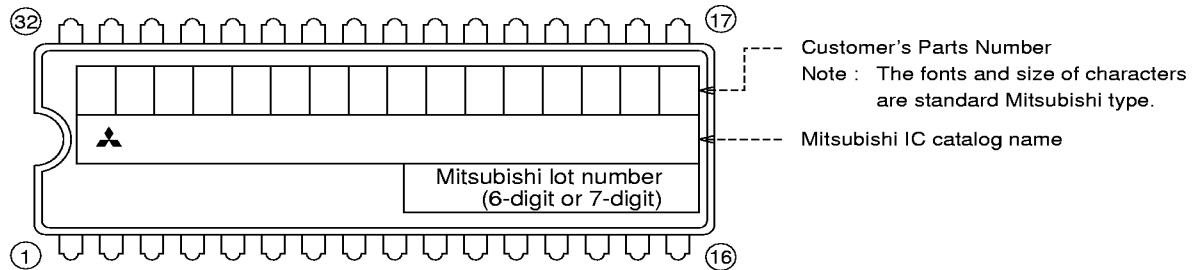
Mitsubishi IC catalog name

Please choose one of the marking types below (A, B, C), and enter the Mitsubishi IC catalog name and the special mark (if needed).

A. Standard Mitsubishi Mark



B. Customer's Parts Number + Mitsubishi catalog name



Note1 : The mark field should be written right aligned.

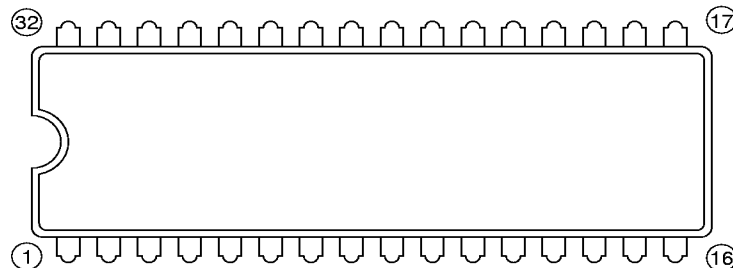
2 : The fonts and size of characters are standard Mitsubishi type.

3 : Customer's Parts Number can be up to 16 characters : Only 0 ~ 9, A ~ Z, +, -, /, (,), &, ©, . (periods), and , (commas) are usable.

4 : If the Mitsubishi logo is not required, check the box on the right.

Mitsubishi logo is not required

C. Special Mark Required



Note1 : If the Special Mark is to be Printed, indicate the desired layout of the mark in the upper figure. The layout will be duplicated as close as possible. Mitsubishi lot number (6-digit or 7-digit) and Mask ROM number (3-digit) are always marked.

2 : If the customer's trade mark logo must be used in the Special Mark, check the box on the right. Please submit a clean original of the logo. For the new special character fonts a clean font original (ideally logo drawing) must be submitted.

Special logo required

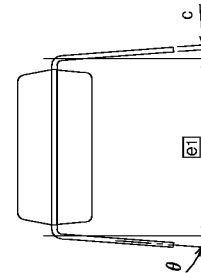
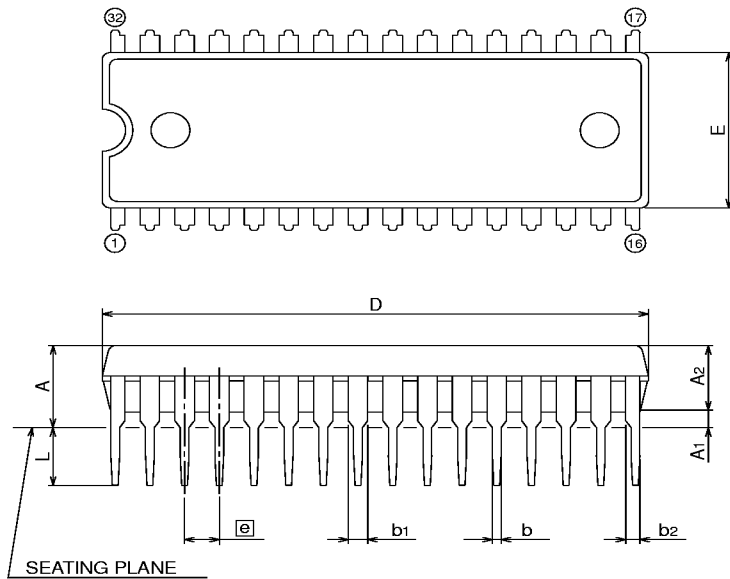
3 : The standard Mitsubishi font is used for all characters except for a logo.

PACKAGE OUTLINE

32P4B

Plastic 32pin 400mil SDIP

EIAJ Package Code	JEDEC Code	Weight(g)	Lead Material
SDIP32-P-400-1.78	-	2.2	Alloy 42/Cu Alloy

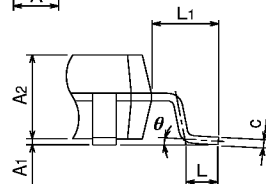
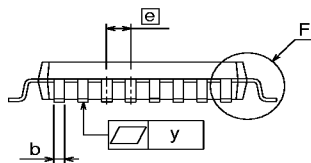
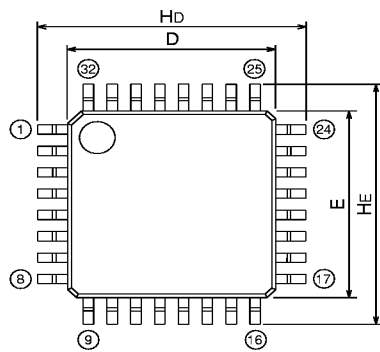


Symbol	Dimension in Millimeters		
	Min	Nom	Max
A	-	-	5.08
A1	0.51	-	-
A2	-	3.8	-
b	0.35	0.45	0.55
b1	0.9	1.0	1.3
b2	0.63	0.73	1.03
c	0.22	0.27	0.34
D	27.8	28.0	28.2
E	8.75	8.9	9.05
e1	-	1.778	-
e	-	10.16	-
L	3.0	-	-
θ	0°	-	15°

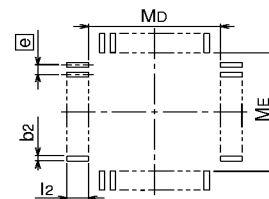
32P6B-A

Plastic 32pin 7x7mm body LQFP

EIAJ Package Code	JEDEC Code	Weight(g)	Lead Material
LQFP32-P-77-0.80	-	-	Alloy 42



Detail F



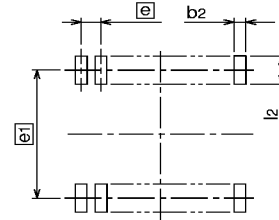
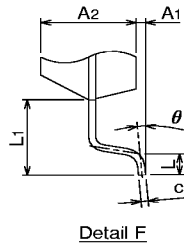
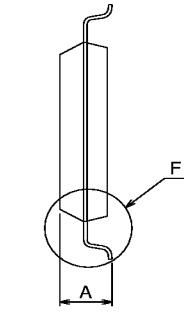
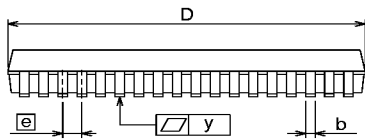
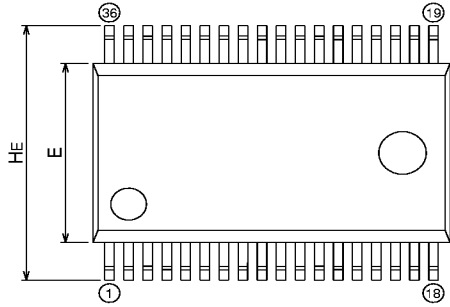
Recommended Mount Pad

Symbol	Dimension in Millimeters		
	Min	Nom	Max
A	-	-	1.7
A1	0	0.1	0.2
A2	-	1.4	-
b	0.3	0.35	0.45
c	0.105	0.125	0.175
D	6.9	7.0	7.1
E	6.9	7.0	7.1
e	-	0.8	-
Hd	8.8	9.0	9.2
HE	8.8	9.0	9.2
L	0.3	0.5	0.7
L1	-	1.0	-
y	-	-	0.1
θ	0°	-	10°
b2	-	0.5	-
l2	1.0	-	-
Md	-	7.4	-
ME	-	7.4	-

36P2R-A

Plastic 36pin 450mil SSOP

EIAJ Package Code	JEDEC Code	Weight(g)	Lead Material
SSOP36-P-450-0.80	-	0.53	Alloy 42



Recommended Mount Pad

Symbol	Dimension in Millimeters		
	Min	Nom	Max
A	-	-	2.4
A1	0.05	-	-
A2	-	2.0	-
b	0.35	0.4	0.5
c	0.13	0.15	0.2
D	14.8	15.0	15.2
E	8.2	8.4	8.6
e	-	0.8	-
HE	11.63	11.93	12.23
L	0.3	0.5	0.7
L1	-	1.765	-
y	-	-	0.15
theta	0°	-	10°
b2	-	0.5	-
e1	-	11.43	-
l2	1.27	-	-

Keep safety first in your circuit designs!

- Mitsubishi Electric Corporation puts the maximum effort into making semiconductor products better and more reliable, but there is always the possibility that trouble may occur with them. Trouble with semiconductors may lead to personal injury, fire or property damage. Remember to give due consideration to safety when making your circuit designs, with appropriate measures such as (i) placement of substitutive, auxiliary circuits, (ii) use of non-flammable material or (iii) prevention against any malfunction or mishap.

Notes regarding these materials

- These materials are intended as a reference to assist our customers in the selection of the Mitsubishi semiconductor product best suited to the customer's application; they do not convey any license under any intellectual property rights, or any other rights, belonging to Mitsubishi Electric Corporation or a third party.
- Mitsubishi Electric Corporation assumes no responsibility for any damage, or infringement of any third-party's rights, originating in the use of any product data, diagrams, charts or circuit application examples contained in these materials.
- All information contained in these materials, including product data, diagrams and charts, represent information on products at the time of publication of these materials, and are subject to change by Mitsubishi Electric Corporation without notice due to product improvements or other reasons. It is therefore recommended that customers contact Mitsubishi Electric Corporation or an authorized Mitsubishi Semiconductor product distributor for the latest product information before purchasing a product listed herein.
- Mitsubishi Electric Corporation semiconductors are not designed or manufactured for use in a device or system that is used under circumstances in which human life is potentially at stake. Please contact Mitsubishi Electric Corporation or an authorized Mitsubishi Semiconductor product distributor when considering the use of a product contained herein for any specific purposes, such as apparatus or systems for transportation, vehicular, medical, aerospace, nuclear, or undersea repeater use.
- The prior written approval of Mitsubishi Electric Corporation is necessary to reprint or reproduce in whole or in part these materials.
- If these products or technologies are subject to the Japanese export control restrictions, they must be exported under a license from the Japanese government and cannot be imported into a country other than the approved destination.
- Any diversion or reexport contrary to the export control laws and regulations of Japan and/or the country of destination is prohibited.
- Please contact Mitsubishi Electric Corporation or an authorized Mitsubishi Semiconductor product distributor for further details on these materials or the products contained therein.

REVISION DESCRIPTION LIST

7531 Group DATA SHEET

Rev. No.	Revision Description	Rev. date
1.0	First Edition	970822
2.0	<p>Page 1; FEATURES In Programmable I/O ports, the pin number of 32-pin version is added. In Power source voltage, two conditions are added and two are revised.</p> <p>Page 8; Central Processing Unit (CPU) The name of manual, 740 Family Software Manual, is revised.</p> <p>Fig. 11; Note is added.</p> <p>Page 11; [Direction registers] PiD The sentences are revised: Pins set to input are floating, and permit reading pin values.</p> <p>Fig. 12; Bit function and the initial value are added.</p> <p>Fig. 13; The figure name is revised: port P1P3 control register.</p> <p>Page 15; Interrupt operation The order of No. 3 and 4 is revised.</p> <p>Fig. 17; Four bit names are revised: Serial I/O1.</p> <p>Page 21; [Serial I/O1 status register] SIO1STS Explanations are partly revised.</p> <p>Fig. 25; Bits 6 and 7 explanations of serial I/O1 control register are revised.</p> <p>Page 23; [Serial I/O2 control register] SIO2CON Explanations are partly revised.</p> <p>Fig. 26; Bit 3 explanations are revised. Note is partly revised.</p> <p>Page 27; Reset Circuit Explanations are partly revised: In the case of $f(\phi)$...</p> <p>Fig. 35; The waveform of clock from built-in ring oscillator is revised. Note 1 is revised.</p> <p>Fig. 36; (6) Port P1P3 control register is added.</p> <p>Page 32; A-D Converter Explanations are partly revised: The WIT instruction is eliminated.</p> <p>Page 33; DATA REQUIRED FOR ROM PROGRAMMING ORDERS This clause is added.</p> <p>Table 7; Characteristics of V_{cc} is revised.</p> <p>Table 8; Characteristics of $f(X_{IN})$ is revised.</p> <p>Table 9; Characteristics of I_{cc} is revised.</p> <p>Table 12; Characteristics of $t_C(X_{IN})$, $t_{WH}(X_{IN})$, $t_{WL}(X_{IN})$, $t_C(CNTR)$, $t_{WH}(CNTR)$, $t_{WL}(CNTR)$, $t_C(SCLK)$, $t_{WH}(SCLK)$ and $t_{WL}(SCLK)$ are revised.</p> <p>Pages 42 to 45; MASK ROM CONFIRMATION FORM These are added.</p> <p>Pages 46 and 47; ROM PROGRAMMING CONFIRMATION FORM These are added.</p>	980220

REVISION DESCRIPTION LIST

7531 Group DATA SHEET

Rev. No.	Revision Description	Rev. date
2.0	<p>Pages 48 to 51; MARK SPECIFICATION FORM These are added.</p> <p>Pages 52 and 53; PACKAGE OUTLINE These are added.</p>	980220
2.1	<p>Pages 37, 46, 47; Some words are corrected.</p> <p>Pages 42 to 47; The numbers of Mask ROM and ROM Programming Confirmation Forms are revised.</p> <p>Page 49; 32P6B Mark Specification Form is revised.</p>	980702
3.0	<p>All pages; "PRELIMINARY Notice: This is ..." eliminated.</p> <p>All register structures; Initial values are added.</p> <p>Page 1; Explanations are partly revised.</p> <p>Page 1 and 2; Product names are added into the pin configurations.</p> <p>Page 3; Pin configuration of 42S1M is added.</p> <p>Page 8; Explanations of Figure 8 and Table 2 are partly revised.</p> <p>Page 9; Explanations of Figures 9 and 10 are partly revised.</p> <p>Page 11; The register name (Timer count source <u>set</u> register) is revised.</p> <p>Page 16; Table 4; The contents of "Remarks" is partly revised.</p> <p>Page 20; Explanation is revised.</p> <p>Page 21; The some word is added.</p> <p>Page 24; The some word is added. Explanation is revised.</p> <p>Page 26; Explanation is added.</p> <p>Page 27; Figure 34; Explanation is revised.</p> <p>Page 28; Period is added.</p> <p>Page 32; Figure titles of Figures 42 and 43 are revised.</p> <p>Page 33; Explanation is revised.</p> <p>Page 36 to 59; "ELECTRICAL CHARACTERISTICS" are all revised.</p> <p style="padding-left: 40px;">"ELECTRICAL CHARACTERISTICS" of Extended operating temperature version is added.</p> <p style="padding-left: 40px;">"ELECTRICAL CHARACTERISTICS" of Extended operating temperature 125 °C version is added.</p> <p>Page 60 to 71; "MASK ROM CONFIRMATION FORM" and "ROM PROGRAMMING CONFIRMATION FORM" are all revised.</p> <p>"SHRINK DIP MARK SPECIFICATION FORM" eliminated.</p>	990212