

**PLEASE CHECK WWW.MOLEX.COM FOR LATEST PART INFORMATION**

**Part Number:** [0475968834](#)  
**Status:** **Active**  
**Description:** LGA 1156 ILM and Back-plate Assembly for 1U Server, Shepherd Hook Lever, Lead-free, Halogen-free

**Documents:**

[Drawing \(PDF\)](#) [RoHS Certificate of Compliance \(PDF\)](#)  
[Product Specification PS-47596-001 \(PDF\)](#)

**General**

Product Family	Processor Sockets
Series	47596
Component Type	Back Plate, ILM Assembly
Product Name	LGA1156

**Physical**

Circuits (Loaded)	N/A
Durability (mating cycles max)	20
Material - Metal	Stainless Steel, Steel
Material - Plating Mating	Nickel
Packaging Type	Tray
Pitch - Mating Interface (in)	0.000 In
Pitch - Mating Interface (mm)	0.00 mm
Temperature Range - Operating	-25°C to +100°C
Termination Interface: Style	Screw or Lug

**Electrical**

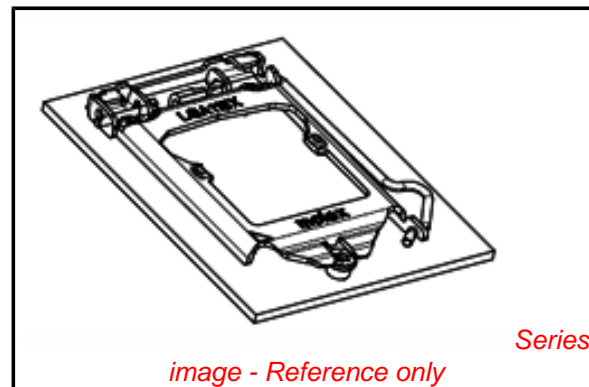
Current - Maximum per Contact	N/A
Voltage - Maximum	N/A

**Material Info**

**Reference - Drawing Numbers**

Packaging Specification	PK-47596-003
Product Specification	PS-47596-001
Sales Drawing	SD-47596-934

Intel and Nehalem and relevant names are either trademarks or registered trademarks of Intel Corporation



**EU RoHS**

**ELV and RoHS  
Compliant**  
**REACH SVHC**  
 Not Reviewed  
**Halogen-Free  
Status**

**China RoHS**



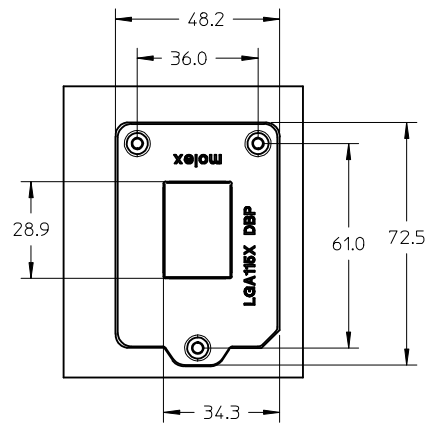
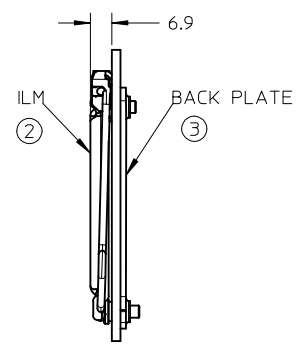
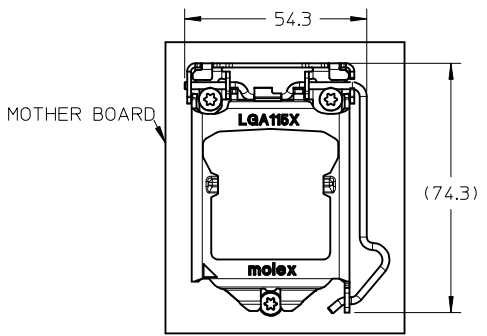
**Need more information on product  
environmental compliance?**

Email [productcompliance@molex.com](mailto:productcompliance@molex.com)  
 For a multiple part number RoHS Certificate of Compliance, [click here](#)

Please visit the [Contact Us](#) section for any non-product compliance questions.

**Search Parts in this Series**  
[47596Series](#)

**Mates With**  
 Intel\* Nehalem Processor



SOCKET 115X AND PACK PLATE ①	
PART NO.	(1)47596-8834(W/ HF) (2)47596-9934(W/O HF)

ILM ASSEMBLY ②	
PART NO.	(1)47596-8811(W/ HF) (2)47596-9911(W/O HF)

BACK PLATE ③	
PART NO.	(1)47596-8833(W/ HF) (2)47596-9933(W/O HF)

BILL OF MATERIAL		
ITEM NO	QTY	DESCRIPTION
①	1	SOCKET ILM AND BACK PLATE ASSY( 47596-***34)
②	1	SOCKET ILM ASSEMBLY (47596-***11)
③	1	SOCKET H1 BACK PLATE ASSY W/SCREWS (47596-***33)

NOTES

PARTS ARE COMPLIANT TO RoHS DIRECTIVE 2002/95/EC AND ELV 2000/53/EC.

47596-8834	WITH HALOGEN FREE
47596-9934	WITHOUT HALOGEN FREE
PART NO.	DESCRIPTION

ENTER DESCRIPTION	QUALITY SYMBOLS
EC NO: SH2010-0085	$F_A=0$
DRWN: JZHANG11 2009/09/25	$F_C=0$
CHKD: 2009/09/25	$F_P=0$
APPR: MFDENG 2009/10/12	
REV	DESCRIPTION
A	

GENERAL TOLERANCES (UNLESS SPECIFIED)	
	mm INCH
4 PLACES	± --- ± ---
3 PLACES	± --- ± ---
2 PLACES	± 0.15 ± ---
1 PLACE	± 0.25 ± ---
ANGULAR ±1/2°	
DRAFT WHERE APPLICABLE MUST REMAIN WITHIN DIMENSIONS	

DIMENSION STYLE <b>MM ONLY</b>		SCALE <b>1:1.5</b>	DESIGN UNITS <b>METRIC</b>	THIRD ANGLE PROJECTION
DRAWN BY	DATE	TITLE		
CHECKED BY	DATE	SOCKET 115X ILM AND BACK PLATE ASSEMBLY		
APPROVED BY	DATE			
MATERIAL NO.		DOCUMENT NO.		SHEET NO.
SEE TABLE		SD-47596-934		1 OF 1
THIS DRAWING CONTAINS INFORMATION THAT IS PROPRIETARY TO MOLEX INCORPORATED AND SHOULD NOT BE USED WITHOUT WRITTEN PERMISSION				