

PLEASE CHECK WWW.MOLEX.COM FOR LATEST PART INFORMATION

Part Number: [0475968811](#)
Status: **Active**
Description: LGA 1156 ILM Assembly with Shepherd Hook, Lead-free, Halogen-free

Documents:

[Drawing \(PDF\)](#) [RoHS Certificate of Compliance \(PDF\)](#)
[Product Specification PS-47596-001 \(PDF\)](#)

General

Product Family	Processor Sockets
Series	47596
Component Type	ILM Assembly
Product Name	LGA1156

Physical

Circuits (Loaded)	N/A
Durability (mating cycles max)	20
Material - Metal	Stainless Steel
Packaging Type	Tray
Pitch - Mating Interface (in)	0.000 In
Pitch - Mating Interface (mm)	0.00 mm
Temperature Range - Operating	-25°C to +100°C
Termination Interface: Style	Screw or Lug

Electrical

Current - Maximum per Contact	N/A
Voltage - Maximum	N/A

Solder Process Data

Duration at Max. Process Temperature (seconds)	3
Lead-free Process Capability	Reflow Capable (SMT only)
Max. Cycles at Max. Process Temperature	1
Process Temperature max. C	245

Material Info

Reference - Drawing Numbers

Packaging Specification	PK-47596-002
Product Specification	PS-47596-001
Sales Drawing	SD-47596-002

Intel and Nehalem and relevant names are either trademarks or registered trademarks of Intel Corporation

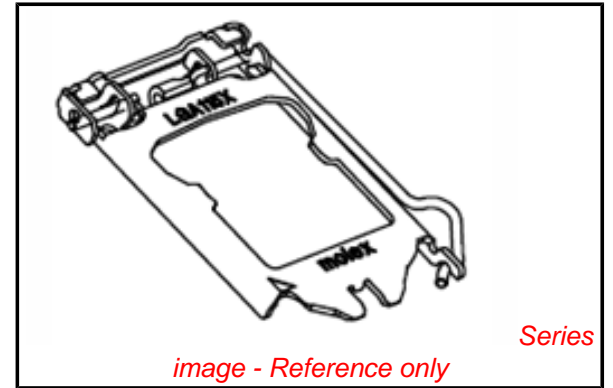


image - Reference only

EU RoHS

**ELV and RoHS
Compliant**
**REACH SVHC
Contains SVHC: No**
**Halogen-Free
Status**

China RoHS



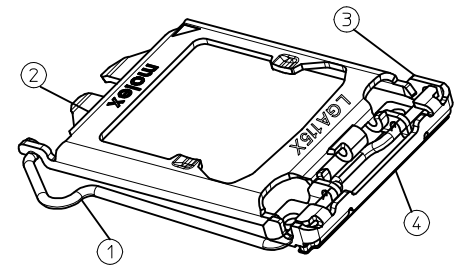
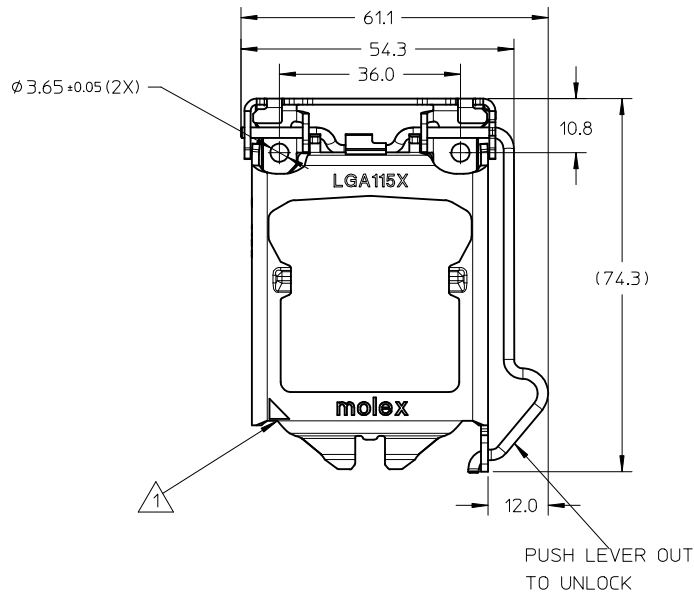
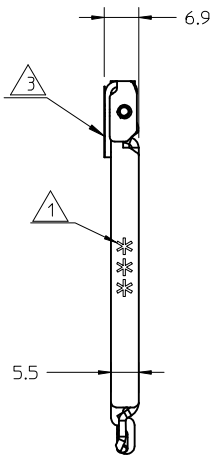
**Need more information on product
environmental compliance?**

Email productcompliance@molex.com
 For a multiple part number RoHS Certificate of Compliance, [click here](#)

Please visit the [Contact Us](#) section for any non-product compliance questions.

Search Parts in this Series
47596Series

Mates With
Intel* Nehalem Processor



NOTES:

1. INK PRINTED DATE CODE: * * *
 * WORKING DAY
 * WORKING MONTH
 * WORKING YEAR

2. AREA FILLED WITH BLACK INK.
 3. INSULATOR OVERHANG ILM FRAME.

4. PARTS ARE COMPLIANT TO RoHS DIRECTIVE 2002/95/EC AND ELV 2000/53/EC.

BILL OF MATERIAL			
ITEM NO	Q'TY	DESCRIPTION	MATERIAL
	1	ILM TOP ASSY WITHOUT SCREW	
①	1	ILM LEVER	STAINLESS STEEL
②	1	ILM LOAD PLATE	STAINLESS STEEL
③	1	ILM FRAME	STEEL WITH NICKEL PLATING
④	1	ILM FRAME INSULATOR	POLYPROPYLENE SHEET

47596-8811	WITH HALOGEN FREE
47596-9911	WITHOUT HALOGEN FREE
PART NO.	DESCRIPTION

ENTER DESCRIPTION	QUALITY SYMBOLS
EC NO: SH2010-0085	$F_A=0$
DRWN: JZHANG11 2009/09/25	$F_G=0$
CHKD: 2009/09/25	$F_P=0$
APPR: WEDENG 2009/10/12	
REV	

GENERAL TOLERANCES (UNLESS SPECIFIED)	
mm	INCH
4 PLACES ±---	±---
3 PLACES ±---	±---
2 PLACES ±0.10	±---
1 PLACE ±0.25	±---
ANGULAR ±---°	
DRAFT WHERE APPLICABLE MUST REMAIN WITHIN DIMENSIONS	

DIMENSION STYLE	
MM ONLY	
DRAWN BY	DATE
JGU007	2008/01/10
CHECKED BY	DATE
JKACHLIC	2008/01/10
APPROVED BY	DATE
CLANG	2008/01/10
MATERIAL NO.	

SCALE	DESIGN UNITS	THIRD ANGLE PROJECTION
1:1	METRIC	
TITLE		
SOCKET 115X ILM TOP ASSY		
MOLEX INCORPORATED		
DOCUMENT NO.	SHEET NO.	
SD-47596-002	1 OF 1	
SEE TABLE THIS DRAWING CONTAINS INFORMATION THAT IS PROPRIETARY TO MOLEX INCORPORATED AND SHOULD NOT BE USED WITHOUT WRITTEN PERMISSION		