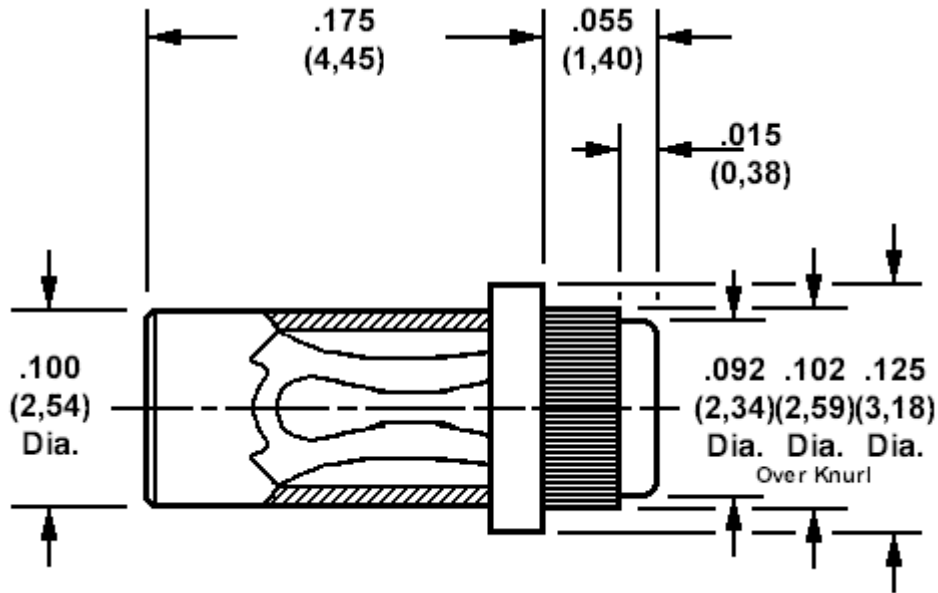


## 450-1801 Knurl mount socket, for .040 (1,02) diameter pins

Recommended mounting hole .099 (2,53)+.001 (0,03) -.003 (0,08)



Min hole depth .185 (4,70)

### How to order code

**450-1801-01-XX-00**

Basic Part No XX = Finish

MATERIALS				
Component	Material	Finish(-03)	Finish(-04)	Finish(-06)
Body	Brass	Gold over Nickel	Tin	Tin
Spring	Beryllium copper	Gold over Nickel	Tin	Gold over Nickel