

PLEASE CHECK WWW.MOLEX.COM FOR LATEST PART INFORMATION

Part Number: [0919051015](#)
Status: **Active**
Overview: [junction_box_io_connectors](#)
Description: 2.54mm (.100") Pitch Junction Box MOST, Vertical, 42 Circuits, Tin, without 10A Fuse

Documents:

[3D Model](#) [RoHS Certificate of Compliance \(PDF\)](#)
[Drawing \(PDF\)](#)

General

Product Family	PCB Headers
Series	91905
Application	Wire-to-Board
Overview	junction_box_io_connectors
Product Name	MOST

Physical

Breakaway	No
Circuits (Loaded)	42
Durability (mating cycles max)	30
First Mate / Last Break	No
Glow-Wire Compliant	No
Material - Plating Mating	Tin
Number of Rows	6
Orientation	Vertical
Packaging Type	Tray
Pitch - Mating Interface (in)	0.100 In
Pitch - Mating Interface (mm)	2.54 mm
Temperature Range - Operating	-40°C to +85°C
Termination Interface: Style	Through Hole

Electrical

Current - Maximum per Contact	6A
Voltage - Maximum	18V

Material Info

Reference - Drawing Numbers

Packaging Specification	PK-91905-001
Sales Drawing	SD-91905-002

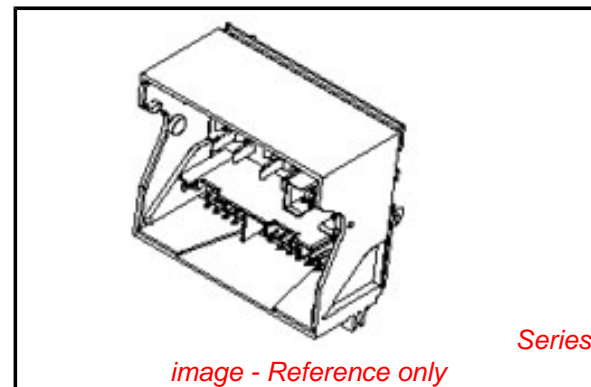


image - Reference only

EU RoHS

**ELV and RoHS
Compliant**
REACH SVHC
 Not Reviewed
**Halogen-Free
Status**
 Not Reviewed

China RoHS



**Need more information on product
environmental compliance?**

Email productcompliance@molex.com
 For a multiple part number RoHS Certificate of
 Compliance, [click here](#)

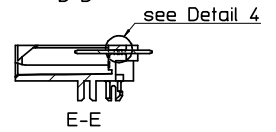
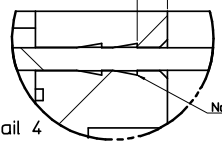
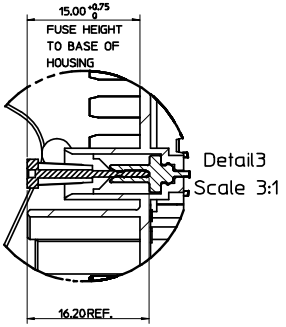
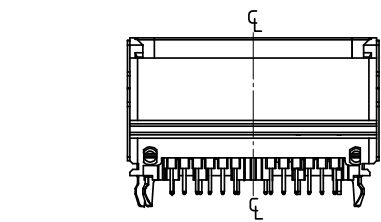
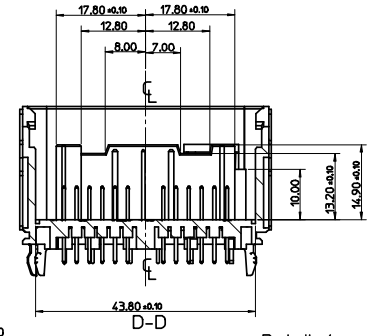
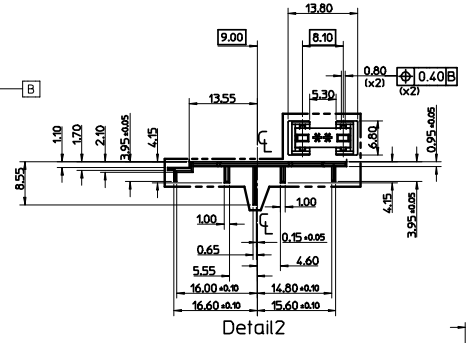
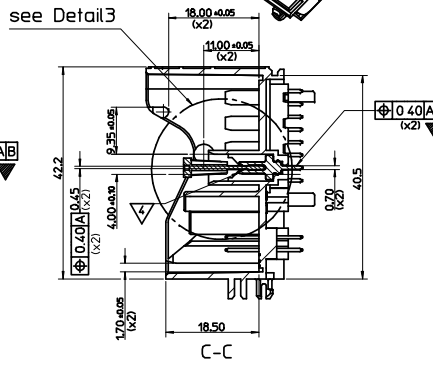
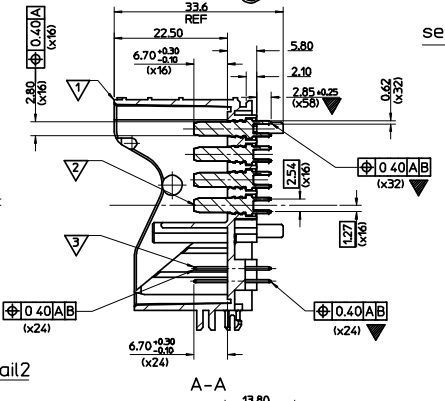
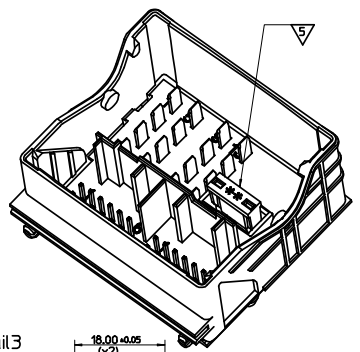
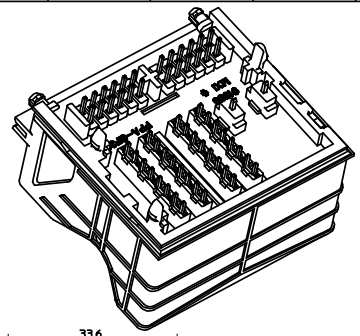
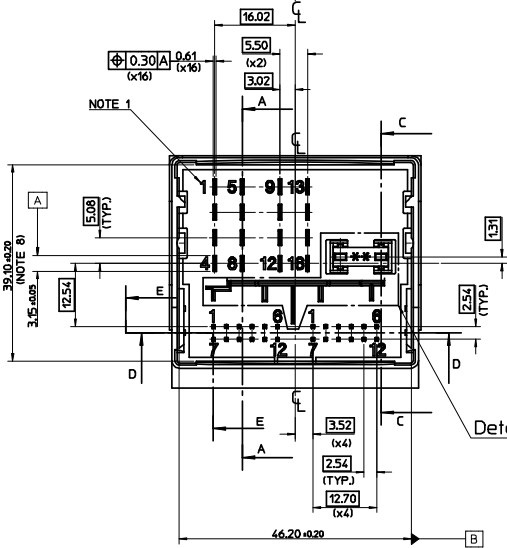
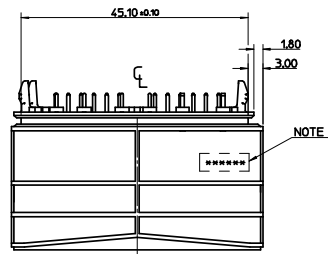
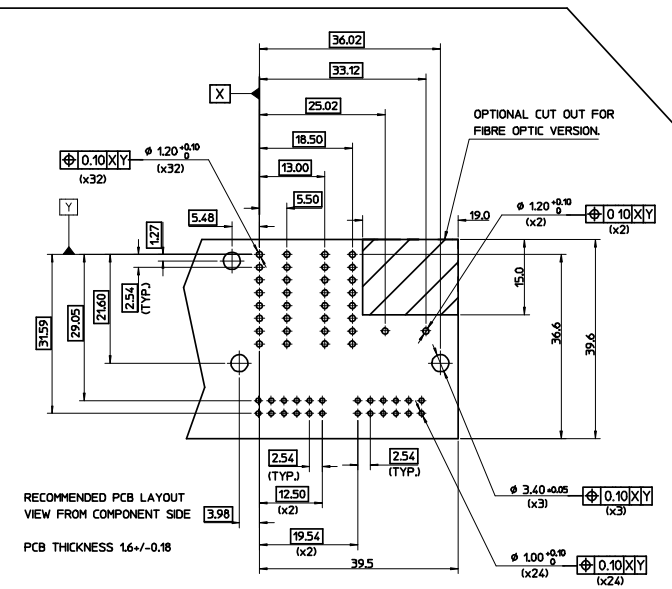
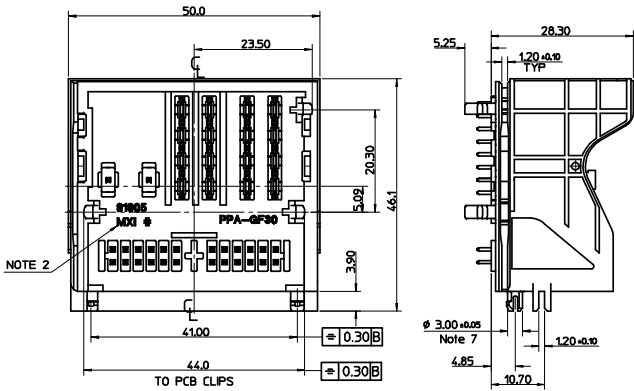
Please visit the [Contact Us](#) section for any
 non-product compliance questions.

Search Parts in this Series
[91905Series](#)

- NOTES:
 1) INTERNAL NUMBERING RECESSED BELOW THE SURFACE.
 2) EXTERNAL MOLEX AND CUSTOMER IDENTIFICATION 0.2 PROUD OF SURFACE.
 3) PART TRACABILITY MARKING IN THIS AREA, FORMAT IS:

HOUR	DAY 1-7 (1-MONDAY)	WEEK	YEAR
**	*	**	*

- 4) FOR THE PRODUCT SPECIFICATION REFER TO DOC: PS-91905-001.
 5) FOR THE PACKAGING SPECIFICATION REFER TO APPLICABLE DOC:
 PK-91905-001.
 6) PIN BARB ORIENTATION AS SHOWN.
 7) CLIP TO SUIT 3.35 +/- 0.05 DIA HOLE.
 8) MINIMUM DIMENSION ALLOWABLE POST REFLOW = 38.70MIN.



QUALITY SYMBOLS	GENERAL TOLERANCES (UNLESS SPECIFIED)		DIMENSION STYLE		SCALE	DESIGN UNITS	THIRD ANGLE PROJECTION
	mm	INCH	MM ONLY	DATE			
▽=4	4 PLACES ±	---	---	S MCMAHON	19-07-2007	METRIC	J.BOX MOST STR
▽=0	3 PLACES ±	0.15	---	CHECKED BY	DATE		
	2 PLACES ±	0.25	---	N MCNAMARA	20-07-2007		
	1 PLACE ±	0.25	---	APPROVED BY	DATE		
	ANGULAR ± 2°			B MAGUIRE	20-07-2007		
DRAFT WHERE APPLICABLE MUST REMAIN WITHIN DIMENSIONS			See Sheet 2		Molex MOLEX INCORPORATED		SHEET NO. 1 OF 2
			THIS DRAWING CONTAINS INFORMATION THAT IS PROPRIETARY TO MOLEX INCORPORATED AND SHOULD NOT BE USED WITHOUT WRITTEN PERMISSION		DOCUMENT NO. SD-91905-002		

			Assembly Part No: 91905-1010	Suitable for INTRUSIVE REFLOW Process
REF NO	DESCRIPTION	QTY	MADE FROM	REMARKS
▽	HOUSING	1	GRIVORY(PPA), GLASS FILLED	COLOUR = BLACK
▽	SPADE TERMINAL	16	0.61 REF THICK BRASS	0.001-0.003mm Bright TIN on first 5mm of Contact End 0.003-0.005mm Bright TIN on Remainder
▽	SQUARE TERMINAL	24	0.61 REF SQUARE BRASS	Undercoat of 0.00127-0.0022mm NICKEL Overall
▽	FUSE TERMINAL	2	0.80 REF THICK PHOSPHOR BRONZE	0.003-0.005um TIN BRIGHT OVER Undercoat of 0.00127-0.0022mm NICKEL OVERALL
▽	FUSE (10A) **	1	CU58F DIN 1787 OR EQUIVALENT	PLATED 0.004mm TIN

			Assembly Part No: 91905-1015	Suitable for INTRUSIVE REFLOW Process
REF NO	DESCRIPTION	QTY	MADE FROM	REMARKS
▽	HOUSING	1	GRIVORY(PPA), GLASS FILLED	COLOUR = BLACK
▽	SPADE TERMINAL	16	0.61 REF THICK BRASS	0.001-0.003mm Bright TIN on first 5mm of Contact End 0.003-0.005mm Bright TIN on Remainder
▽	SQUARE TERMINAL	24	0.61 REF SQUARE BRASS	Undercoat of 0.00127-0.0022mm NICKEL Overall
▽	FUSE TERMINAL	2	0.80 REF THICK PHOSPHOR BRONZE	0.003-0.005um TIN BRIGHT OVER Undercoat of 0.00127-0.0022mm NICKEL OVERALL
▽	FUSE	0	CU58F DIN 1787 OR EQUIVALENT	PLATED 0.004mm TIN

			Assembly Part No: 91905-1020	Suitable for INTRUSIVE REFLOW Process
REF NO	DESCRIPTION	QTY	MADE FROM	REMARKS
▽	HOUSING	1	GRIVORY(PPA), GLASS FILLED	COLOUR = BLACK
▽	SPADE TERMINAL	16	0.61 REF THICK BRASS	0.001-0.003mm Bright TIN on first 5mm of Contact End 0.003-0.005mm Bright TIN on Remainder
▽	SQUARE TERMINAL	24	0.61 REF SQUARE BRASS	Undercoat of 0.00127-0.0022mm NICKEL Overall
▽	FUSE TERMINAL	2	0.80 REF THICK PHOSPHOR BRONZE	0.003-0.005um TIN BRIGHT OVER Undercoat of 0.00127-0.0022mm NICKEL OVERALL
▽	FUSE (15A) **	1	CU58F DIN 1787 OR EQUIVALENT	PLATED 0.004mm TIN

NOTE: ** THE FUSE COMPONENT IS NOT CAPABLE OF GOING THROUGH THE REFLOW PROCESS. IF THE JUNCTION BOX PRODUCT IS BEING PROCESSED THROUGH THE REFLOW OVEN THE FUSE COMPONENT IS TO BE REMOVED AND INSERTED AFTER REFLOW.

See Sheet 1 EC NO: E2008-0359 DRWN: OBYRNES 2008/02/01 CHKD: 2008/02/05 APPR: J WALLACE 2008/02/05 REV: A	QUALITY SYMBOLS	GENERAL TOLERANCES (UNLESS SPECIFIED)	DIMENSION STYLE MM ONLY	SCALE 2:1	DESIGN UNITS METRIC	THIRD ANGLE PROJECTION
	▽=0	4 PLACES ± --- ± ---	DRAWN BY S MCMAHON	DATE 19-07-2007	TITLE J.BOX MOST STR	
	▽=0	3 PLACES ± 0.15 ± ---	CHECKED BY N MCNAMARA	DATE 20-07-2007	MOLEX INCORPORATED	
		2 PLACES ± 0.25 ± ---	APPROVED BY B MAGUIRE	DATE 20-07-2007	MATERIAL NO. SD-91905-002	SHEET NO. 2 OF 2
		1 PLACE ± 0.25 ± ---	DRAFT WHERE APPLICABLE MUST REMAIN WITHIN DIMENSIONS		THIS DRAWING CONTAINS INFORMATION THAT IS PROPRIETARY TO MOLEX INCORPORATED AND SHOULD NOT BE USED WITHOUT WRITTEN PERMISSION	