

PLEASE CHECK WWW.MOLEX.COM FOR LATEST PART INFORMATION

Part Number: [0559492619](#)
Status: **Active**
Description: 1.25mm (.049") Pitch Mini Mi II™ System Wire-to-Wire Plug Housing, Dual Row, Floating Type, 26 Circuits, Lead-free

Documents:

[3D Model](#) [Product Specification PS-54769-006 \(PDF\)](#)
[Drawing \(PDF\)](#) [RoHS Certificate of Compliance \(PDF\)](#)
[Product Specification PS-51405-008 \(PDF\)](#)

General

Product Family IDT and Solder Connectors
 Series [55949](#)
 Comments Floating Type
 Crimp Quality Equipment Yes
 Product Name Mini Mi II™
 Use With [54596](#) IDT Receptacle Housing

Physical

Circuits (Loaded) 26
 Color - Resin Black
 Durability (mating cycles max) 3,000
 Gender Male
 Glow-Wire Compliant No
 Lock to Mating Part None
 Material - Metal Brass
 Material - Plating Mating Gold
 Material - Plating Termination Tin
 Material - Resin Polycarbonate
 Number of Rows 2
 Packaging Type Tray
 Panel Mount Yes
 Pitch - Mating Interface (in) 0.049 In
 Pitch - Mating Interface (mm) 1.25 mm
 Plating min: Mating (µin) 8
 Plating min: Mating (µm) 0.2
 Plating min: Termination (µin) 80
 Plating min: Termination (µm) 2
 Polarized to Mating Part Yes
 Stackable No
 Temperature Range - Operating -20°C to +80°C
 Termination Interface: Style Through Hole
 Wire Size AWG 26, 28

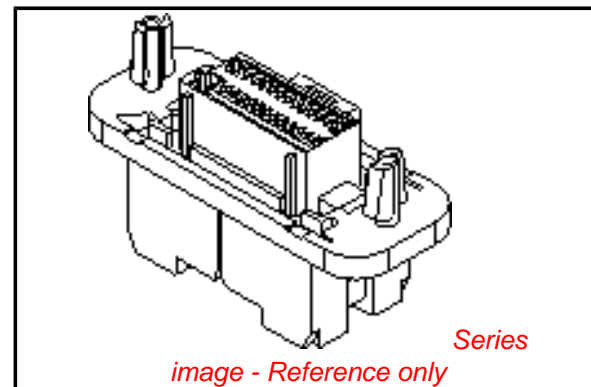
Electrical

Current - Maximum per Contact 1.5A
 Voltage - Maximum 100V

Material Info

Reference - Drawing Numbers

Product Specification PS-51405-008, PS-54769-006
 Sales Drawing SD-55949-007



EU RoHS

ELV and RoHS Compliant
REACH SVHC
 Not Reviewed
Halogen-Free Status

China RoHS



Not Reviewed

Need more information on product environmental compliance?

Email productcompliance@molex.com
 For a multiple part number RoHS Certificate of Compliance, [click here](#)

Please visit the [Contact Us](#) section for any non-product compliance questions.

Search Parts in this Series

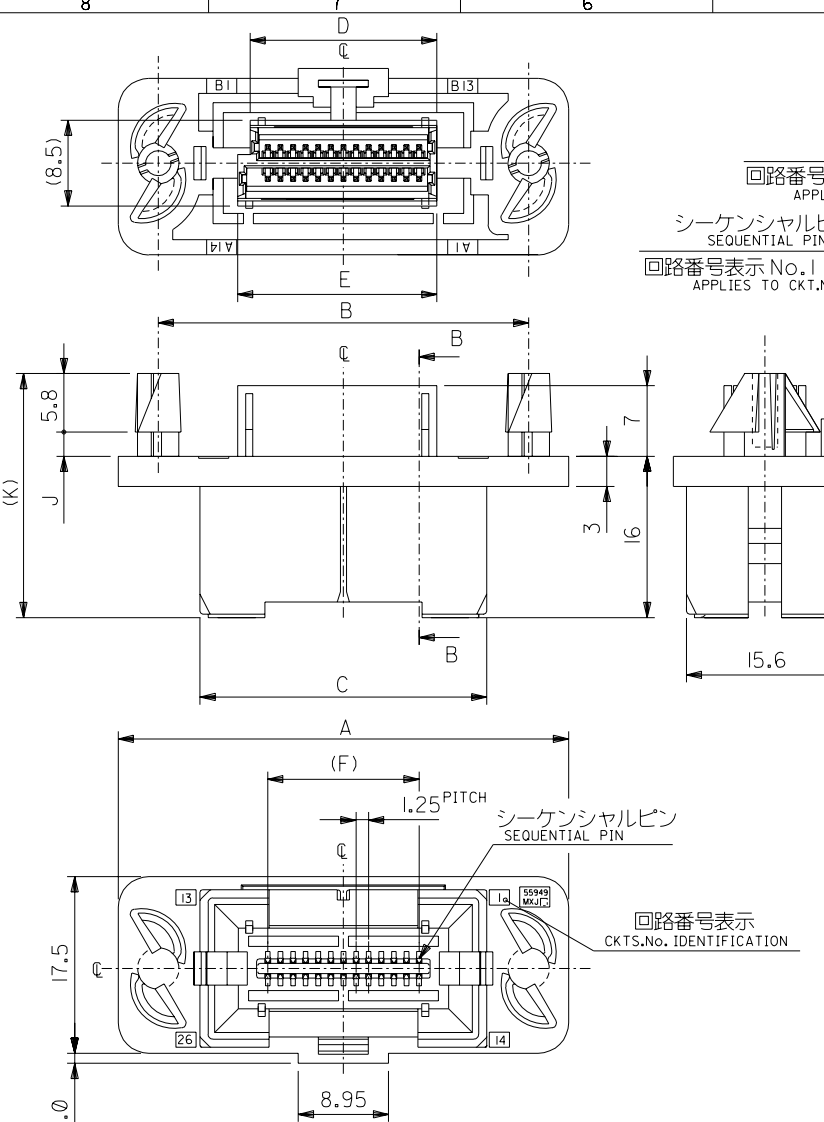
[55949Series](#)

Mates With

[51405](#) Receptacle Housing

PLEASE CHECK WWW.MOLEX.COM FOR LATEST PART INFORMATION

DWG. NO. SD-55949-007



注記 NOTES

- 材質 MATERIAL
ハウジング:ポリカーボネート UL94V-0 黒色
HOUSING:POLYCARBONATE,UL94V-0,BLACK
ターミナル:黄銅
TERMINAL:BRASS
- メッキ仕様 PLATING
ターミナル TERMINAL
金メッキ:0.2μmMIN.(接点部)
GOLD:0.2 MICROMETER MIN.(CONTACT AREA)
パラジウムニッケルメッキ:0.25μmMIN.(接点部)
PALLADIUM-NICKEL:0.25 MICROMETER MIN.(CONTACT AREA)
錫メッキ:1.0μmMIN.(リセプタクル嵌合部)
TIN:1.0 MICROMETER MIN.(RECEPTACLE CONNECTED AREA)
ニッケルメッキ:2.0μmMIN.(下地メッキ)
NICKEL:2.0 MICROMETER MIN.(UNDER PLATING)
- 適合リセプタクル:54596シリーズ
APPLICABLE RECEPTACLE:54596SERIES
- 嵌合相手:51405シリーズ
MATE WITH:51405SERIES
- 取り付けパネルのバリリング加工は不可とする。
THE IMPROPRIETY OF THE USE PANEL IS A BURRING PROCESSING.
- フローティング量 1mm(全周)
FLOATING DISPLACEMENT:1mm(ALL AROUND)
- 本製品は55949-***1の鉛フリー品である。
THIS PRODUCT IS LEAD FREE OF 55949-***1.

断面B-B SECTION B-B
G±0.1
H±0.1
A
2-∅6.6±0.1
5.8±0.1
10.9±0.1

断面A-A SECTION A-A
バリ不可
C0.3 全周 ALL AROUND
2-C0.3 全周 ALL AROUND
L±0.1

推奨パネル加工寸法 RECOMMENDED PANEL CUT DIMENSION

1.2	23.4	1.6	24.05	36.75	15	19.75	18.5	28.44	36.75	44.65	55949-2639	26
2	24.2	2.4	19.05	31.75	10	14.75	13.5	23.44	31.75	39.65	55949-2619	18
パネル厚 L	(K)	J	H	G	F	E	D	C	B	A	MATERIAL NO.	種数 CKT.

DO NOT SCALE DRAWING

EC NO. DRWN: CHK: APPR:	EC NO. DRWN: CHK: APPR:	EC NO. DRWN: CHK: APPR:	EC NO. DRWN: CHK: APPR:	RELEASED EC NO. J2004-3177 DRWN: Y.WADA '04/03/18 CHK: M.SASAO '04/03/18 APPR: M.SASAO '04/03/18	MATERIAL 材料 注記参照 SEE NOTES	GENERAL TOLERANCES: (UNLESS SPECIFIED) 一般公差	SCALE #	MODEL NO. DESIGN UNITS THIRD ANGLE PROJECTION	55949-***9 mm INCH mm ONLY	DIMENSIONS: mm INCH	SHT REVISE ON CAD ONLY	REV
				DESCRIPTION	FINISH 仕上げ	10 UNDER 未満 ±0.2 10 OVER 30 UNDER 未満 ±0.25 30 OVER 以上 ±0.3	DRAWN BY & DATE Y.WADA '04/03/18	APPROVED BY & DATE M.SASAO '04/03/18	TITLE: 1.25mm PITCH FLOATING CONN. PLUG HS'G ASS'Y. -LEAD FREE-	MATERIAL NO. DRAWING NO.	SHEET NO. 1 OF 2	SIZE B
				REV	WIRE RANGE 適用電線範囲	ANGLE 角度 ±3°	CAD FILENAME SD-55949-007.S01	MATERIAL NO. SEE CHART	DRAWING NO. SD-55949-007	THIS DRAWING CONTAINS INFORMATION THAT IS PROPRIETARY TO MOLEX INCORPORATED AND SHOULD NOT BE USED WITHOUT WRITTEN PERMISSION.		

