

PLEASE CHECK WWW.MOLEX.COM FOR LATEST PART INFORMATION

Part Number: [0555131605](#)
Status: **Active**
Description: 1.25mm (.049") Pitch Small MGC (Multi-Ground Connector) Plug Cover A, Polarizing Key 6.10mm (.240") From the Center

Documents:

[Drawing \(PDF\)](#)
[Product Specification PS-54678-003 \(PDF\)](#)
[Product Specification PS-54678-006 \(PDF\)](#)
[Product Specification PS-54678-007 \(PDF\)](#)
[RoHS Certificate of Compliance \(PDF\)](#)

General

Product Family	Accessories
Series	55513
Comments	Plug Cover A
Component Type	Dust Cover
Product Name	Small MGC

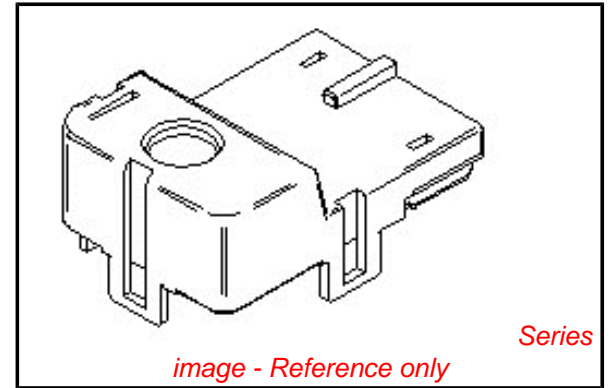
Physical

Circuits (Loaded)	16
Color - Resin	Gray
Lock to Mating Part	Yes
Material - Resin	Polyester
Packaging Type	Tray
Polarized to Mating Part	Yes
Temperature Range - Operating	-20°C to +80°C

Material Info

Reference - Drawing Numbers

Product Specification	PS-54678-003, PS-54678-006, PS-54678-007
Sales Drawing	SD-55513-002



EU RoHS

**ELV and RoHS
Compliant**
**REACH SVHC
Contains SVHC: No**
**Halogen-Free
Status**

China RoHS



Not Reviewed

Need more information on product environmental compliance?

Email productcompliance@molex.com
 For a multiple part number RoHS Certificate of Compliance, [click here](#)

Please visit the [Contact Us](#) section for any non-product compliance questions.

Search Parts in this Series

55513Series

Use With

55516 , 55514

