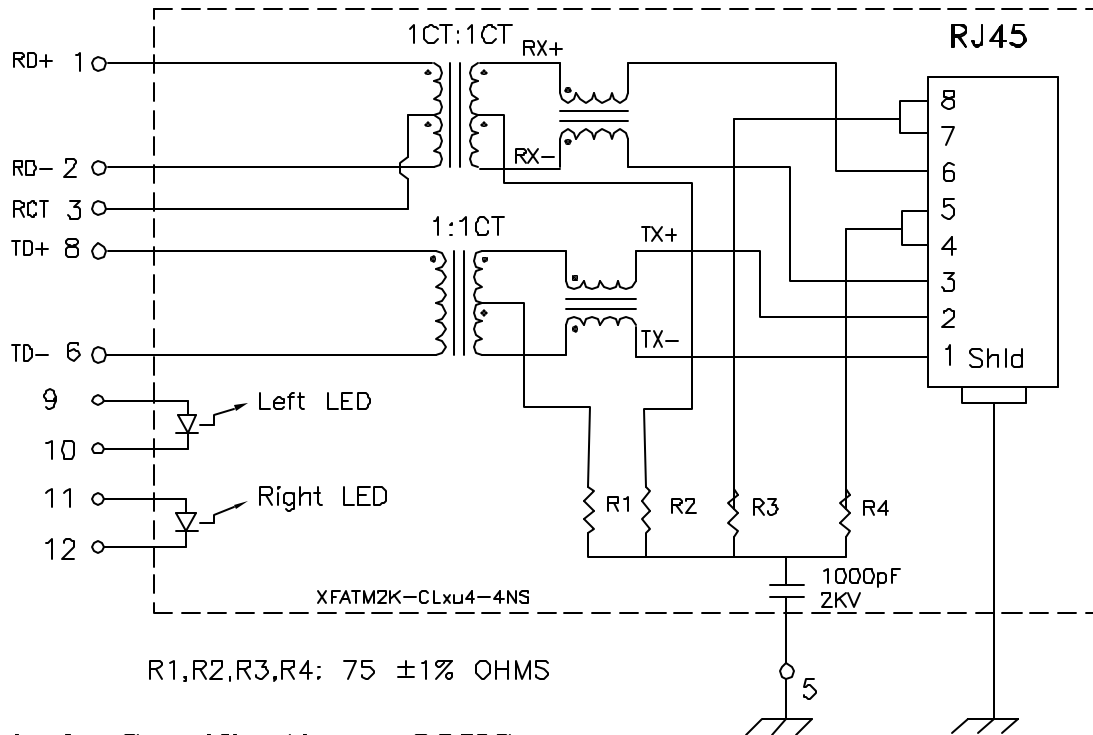


## Schematic: (One of Four)



## Electrical Specifications: @25°C

Isolation Voltage: 1500 Vrms (INPUT to OUTPUT)  
 UTP SIDE OCL: 350uH Min @100KHz 100mV 8mADC  
 Rise Time (10-90%): 2.5ns Typical  
 Insertion Loss (100KHz-100MHz): -1.1dB Maximum  
 Insertion Loss (100MHz-125MHz): -1.5dB Typ.  
 Return Loss: -20dB Min. @30MHz  
 -15dB Min. @80MHz

### Crosstalk:

100KHz-60MHz -40dB Typical  
 60MHz-100MHz -38dB Typical

### Common Mode to Differential Mode Rejection:

100KHz-60MHz -45dB Typ (Tx) / -40dB Typ (Rx)  
 60MHz-100MHz -40dB Typ (Tx) / -35dB Typ (Rx)

### Notes:

- Solderability: Leads shall meet MIL-STD-202, Method 208D for solderability.
- Flammability: UL94V-0
- ASTM oxygen index: > 28%
- Insulation System: Class F 155°C. UL file E151556
- Operating Temperature Range: All listed parameters are to be within tolerance from -40°C to +85°C
- Storage Temperature Range: -55°C to +125°C
- Aqueous wash compatible
- SMD Lead Coplanarity: ±0.004" (0.102mm)
- Moisture Sensitivity: Level 2
- Electrical and mechanical specifications 100% tested
- RoHS Compliant Component

**XFMRs Inc**  
www.XFMRs.com

Title:  
**QUAD PORT COMBO w/LED**

UNLESS OTHERWISE SPECIFIED  
TOLERANCES:  
.xxx ±0.010  
Dimensions in Inch

XFATM2K-CLxu4-4NS		REV. A
DWN.	廖玉坤	Nov-01-04
CHK.	李清儿	Nov-01-04
APP.	J Ng	Nov-01-04

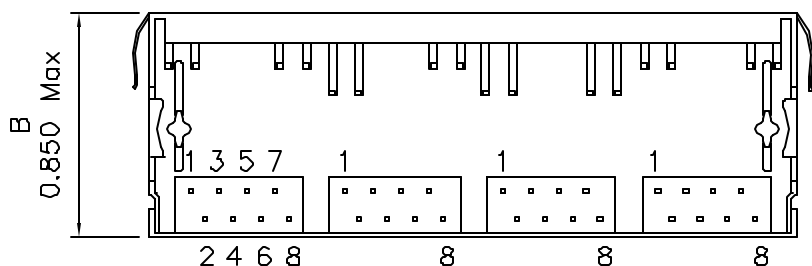
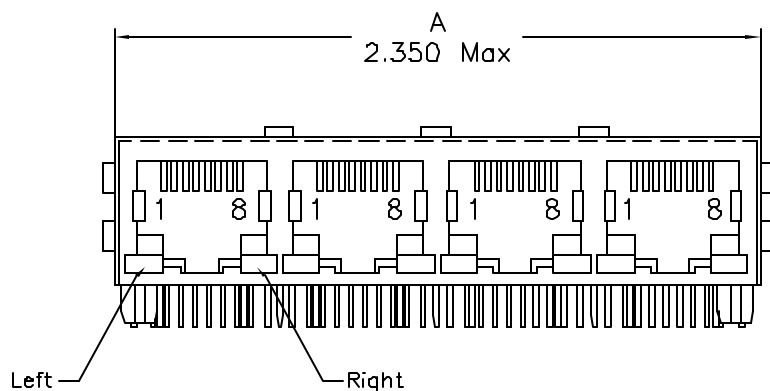
DOC. REV A/1

**PROPRIETARY:**

Document is the property of XFMRs Group & is not allowed to be duplicated without authorization.

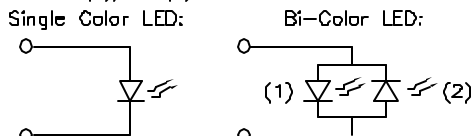
SHEET 1 OF 1

# Mechanical Dimensions: (FOR CLxu4-4MS)

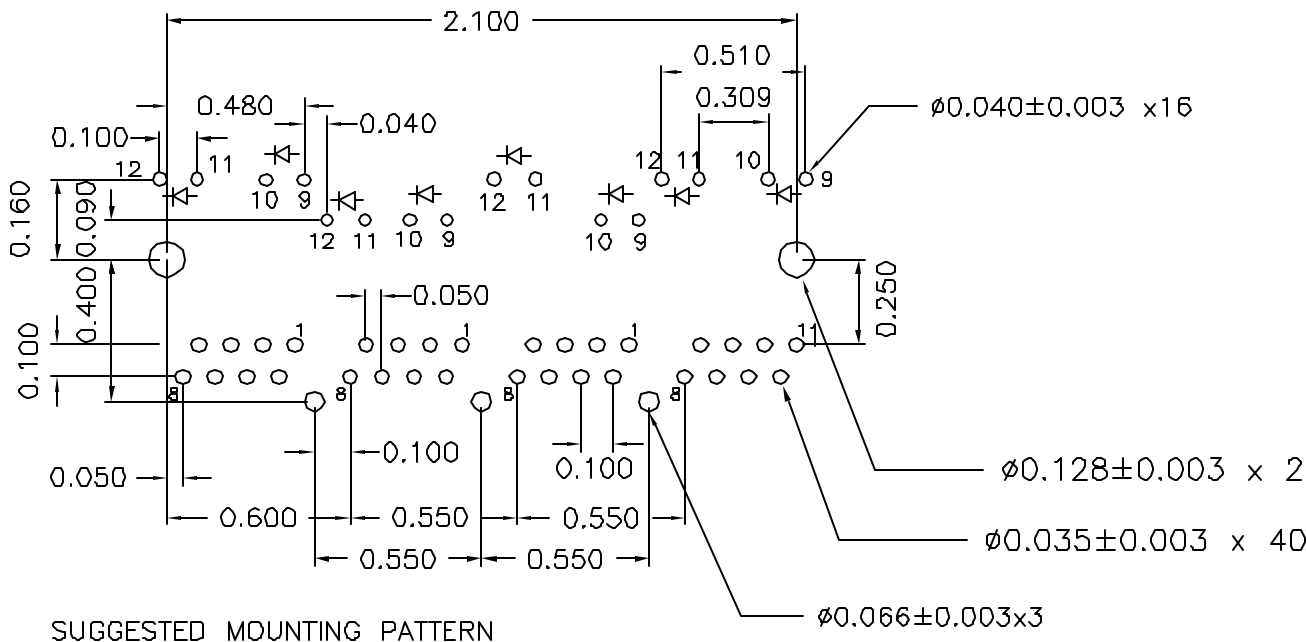
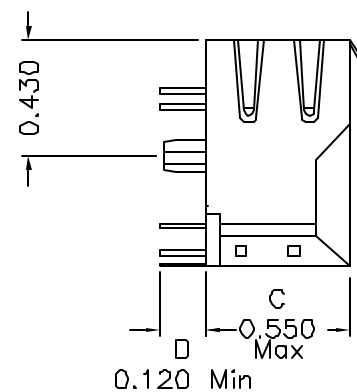
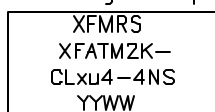


Complete the Combo P/N as follows:

Replace 'x' & 'u' in the part number with one of the LED color letters:  
 Y=Yellow  
 G=Green  
 A=Amber  
 R=Red  
 C=Green(1)/Amber(2) Bicolor  
 D=Amber(1)/Green(2) Bicolor  
 M=Green(1)/Yellow(2) Bicolor  
 N=Yellow(1)/Green(2) Bicolor  
 P=Red(1)/Green(2) Bicolor  
 Q=Green(1)/Red(2) Bicolor



Marking on top:



SUGGESTED MOUNTING PATTERN

<b>XFMR5 Inc</b> www.XFMR5.com	Title: <b>FOUR PORT COMBO w/ LED's</b>	
	P/N: XFATM2K-CLxu4-4NS	REV. A
UNLESS OTHERWISE SPECIFIED TOLERANCES: .xxx ±0.010 Dimensions in Inch	DWN.	刘 鹏
	CHK.	李小锋
	APP.	J Ng
SHEET 2 OF 2		

DOC REV: A/1

**PROPRIETARY:**  
 Document is the property of XFMR5 Group & is not allowed to be duplicated without authorization.