

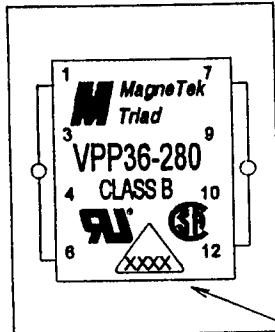
TOLERANCE UNLESS SPECIFIED =

.XXX= +/- .005

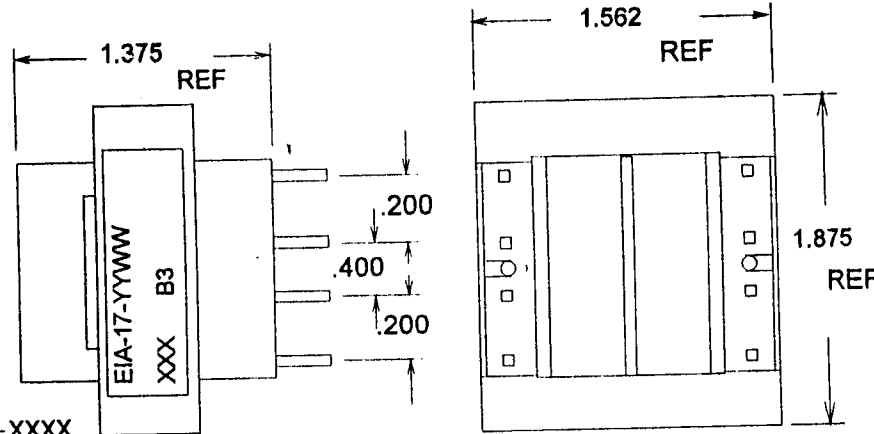
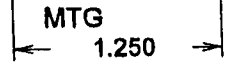
.XX= +/- .015

FRACTIONS= +/- .032

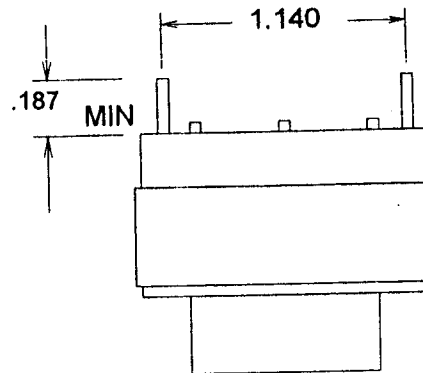
36-280.DC2



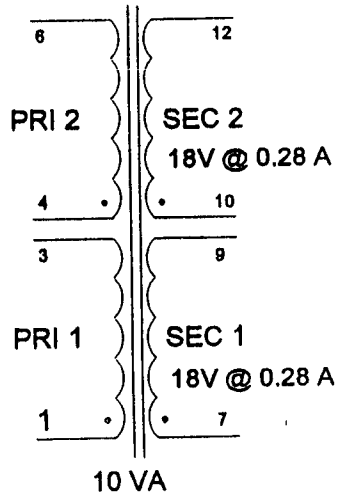
XXXX
VDE REG. NO.



PC PINS .036 SQ



115/230V
50/60 HZ



PRODUCTION TESTS

TURNS RATIO = 100%		
DC RESISTANCE IN OHMS	1-3 =	182 NOM
	4-6 =	220 NOM
	7-9 =	9.3 NOM
	10-12 =	11.0 NOM

MAX EXCITATION CURRENT = 20 MA
 APPLY 230V 60HZ 1-6 (3+4)
 PRI WDGS 114.5 TO 115.5 V
 SEC WDGS 23.3 TO 24.4 V

HIPOT: 4000V P-S
 4000V P,S, TO CORE
 600V P-P, S-S

FINAL ASSEMBLY NOTES

MagneTek

VPP36-280