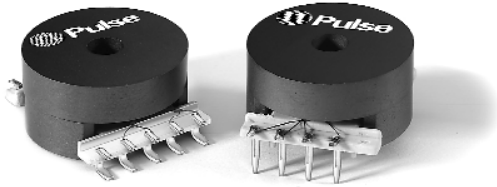


# ADSL AND RADSL TRANSFORMERS

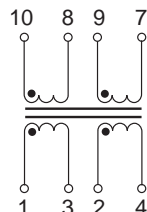
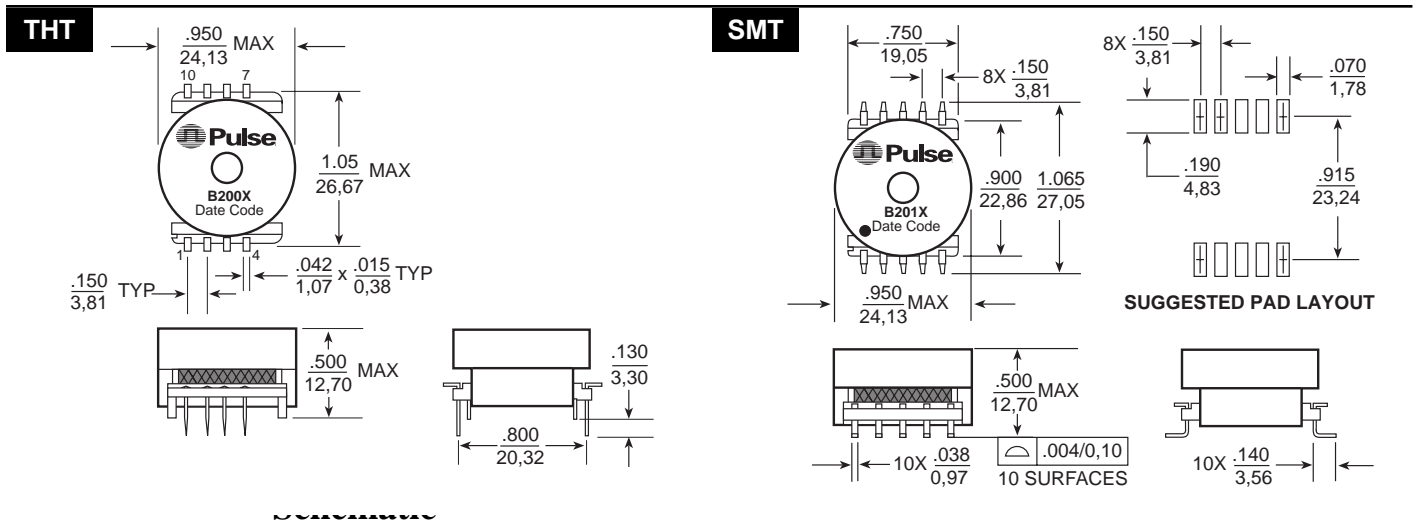


- ➊ Designs exceed standards for ANSI and ETSI
- ➋ UL 1950 and BABT certified
- ➌ Excellent THD performance
- ➍ Maximum height: .500" (12,70 mm)
- ➎ Matched to Globespan ADSL chip set
- ➏ Isolation voltage: up to 3000 Vrms

## Electrical Specifications @ 25°C — Operating Temperature -40°C to 85°C

Part Number	Turns Ratio Chip-Line (±2%)	OCL Primary (1-4) with 2-3 shorted (µH ±10%)	Leakage Inductance (µH MAX)	DC Resistance @ (1-3),(2-4),(10-8),(9-7) (Ω MAX)	Isolation Voltage (Vrms)	Insertion Loss (db MAX)	Longitudinal Balance (db TYP)	Mounting
B2002	1.4:1.4:1:1	940	10	1.2	1500	3	62	THT
B2006	1:1:1:1	410	10	0.8	1500	3	62	THT
B2007	1.4:1.4:1:1	940	10	1.2	3000	3	62	THT
B2008	1:1:1:1	410	10	0.8	3000	3	62	THT
B2011	1.4:1.4:1:1	940	10	1.2	3000	3	62	SMT
B2012	1:1:1:1	410	10	0.8	3000	3	62	SMT

## Mechanicals



Weight ..... 14.0 grams  
 Tray ..... .45/tray

Dimensions: Inches  
 mm  
 Unless otherwise specified, all tolerances are ± .010  
 .025

### For More Information :

**Corporate**  
 12220 World Trade Drive  
 San Diego, CA 92128  
 Tel: 619 674 8100  
 FAX: 619 674 8262  
 http://www.pulseeng.com  
 Quick-Facts: 619 674 9672

**Europe**  
 1 & 2 Huxley Road  
 The Surrey Research Park  
 Guildford, Surrey GU2 5RE  
 United Kingdom  
 Tel: 44 1483 401700  
 FAX: 44 1483 401701

**Asia**  
 150 Kampong Ampat  
 #07-01/02  
 KA Centre  
 Singapore 368324  
 Tel: 65 287 8998  
 FAX: 65 280 0080

**Distributor**

Performance warranty of products offered on this data sheet is limited to the parameters specified. Data is subject to change without notice. Other brand and product names mentioned herein may be trademarks or registered trademarks of their respective owners.