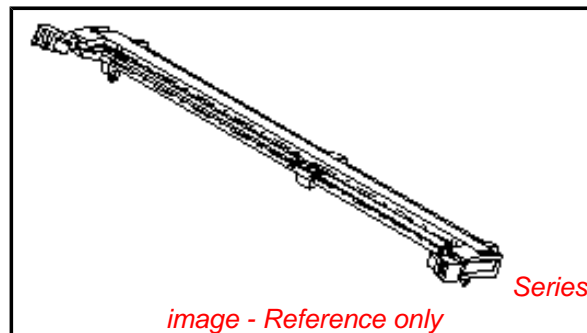


**PLEASE CHECK WWW.MOLEX.COM FOR LATEST PART INFORMATION**

**Part Number:** [0876391100](#)  
**Status:** **Active**  
**Description:** 1.27mm (.050") Pitch DDR DIMM Socket, Reverse Footprint, 25° Angle, Low Profile, Single Key, with Beveled Metal Pins and Plastic Pegs, 2.79mm (.110") Tail Length, 0.76µm (30µ") Gold (Au) Plating, 184 Circuits, Leadfree

**Documents:**

[3D Model](#) [Product Specification PS-87639-002 \(PDF\)](#)  
[Drawing \(PDF\)](#) [RoHS Certificate of Compliance \(PDF\)](#)



**General**

Product Family	Memory Module Sockets
Series	<a href="#">87639</a>
Component Type	Memory Module
JEDEC Outline	MO-206
Product Name	DDR DIMM

**Physical**

Circuits (Loaded)	184
Color - Resin	Black, Natural
Durability (mating cycles max)	25
Entry Angle	25° Angle
Keying to Mating Part	Yes
Material - Metal	Brass, Phosphor Bronze
Material - Plating Mating	Gold
Material - Plating Termination	Tin
Material - Resin	High Temperature Thermoplastic
PC Tail Length (in)	0.110 In
PC Tail Length (mm)	2.79 mm
PCB Locator	Yes
PCB Retention	Yes
PCB Thickness Recommended (in)	0.062 In
PCB Thickness Recommended (mm)	1.60 mm
Packaging Type	Tray
Pitch - Mating Interface (in)	0.050 In
Pitch - Mating Interface (mm)	1.27 mm
Plating min: Mating (µin)	30.4
Plating min: Mating (µm)	0.76
Plating min: Termination (µin)	101.6
Plating min: Termination (µm)	2.54
Temperature Range - Operating	-40°C to +85°C
Termination Interface: Style	Through Hole

**Electrical**

Current - Maximum per Contact	1A
Voltage - Maximum	50V
Voltage Key	2.5V, Right

**Solder Process Data**

Duration at Max. Process Temperature (seconds)	10
Lead-free Process Capability	Wave Capable (TH only)
Max. Cycles at Max. Process Temperature	2
Process Temperature max. C	240

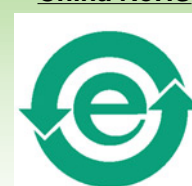
**Material Info**

**Reference - Drawing Numbers**

**EU RoHS**

**ELV and RoHS  
Compliant**  
**REACH SVHC**  
 Not Reviewed  
**Halogen-Free  
Status**  
 Not Reviewed

**China RoHS**



**Need more information on product  
environmental compliance?**

Email [productcompliance@molex.com](mailto:productcompliance@molex.com)  
 For a multiple part number RoHS Certificate of Compliance, [click here](#)

Please visit the [Contact Us](#) section for any non-product compliance questions.

**Search Parts in this Series**

[87639Series](#)

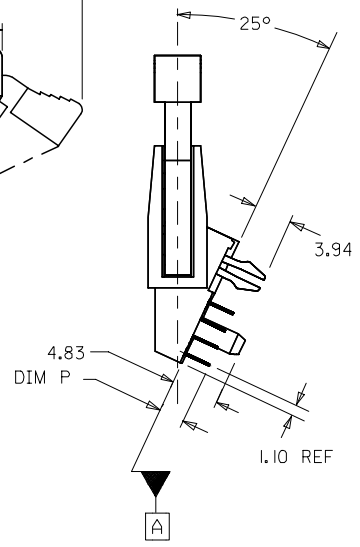
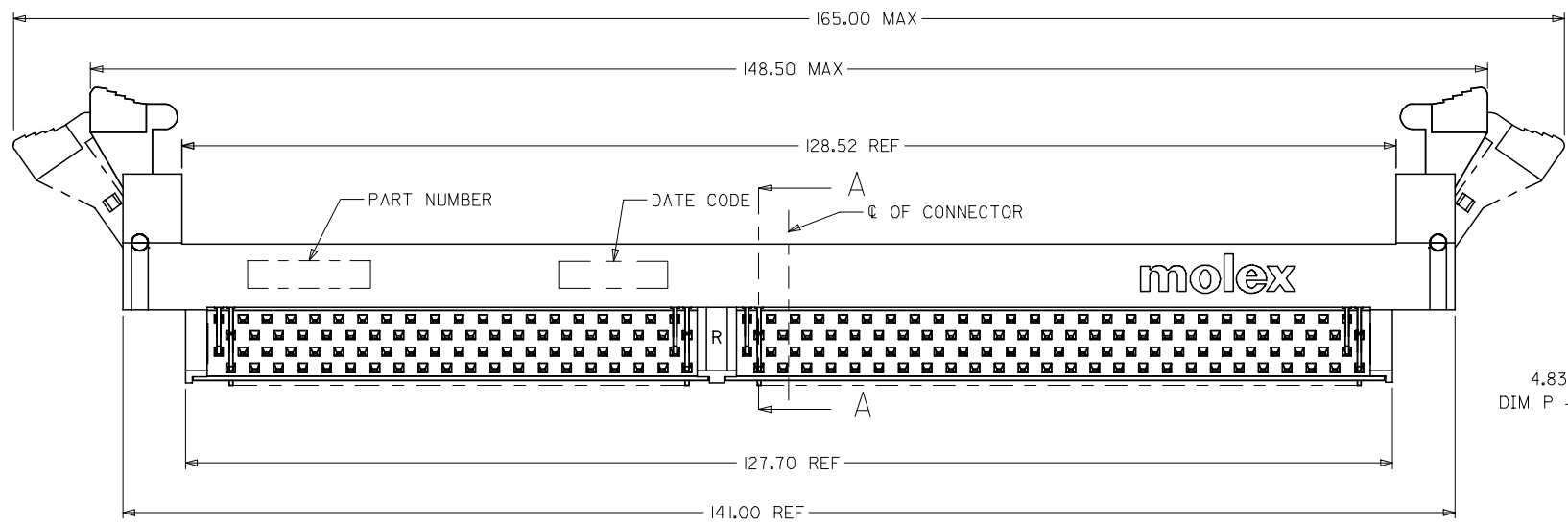
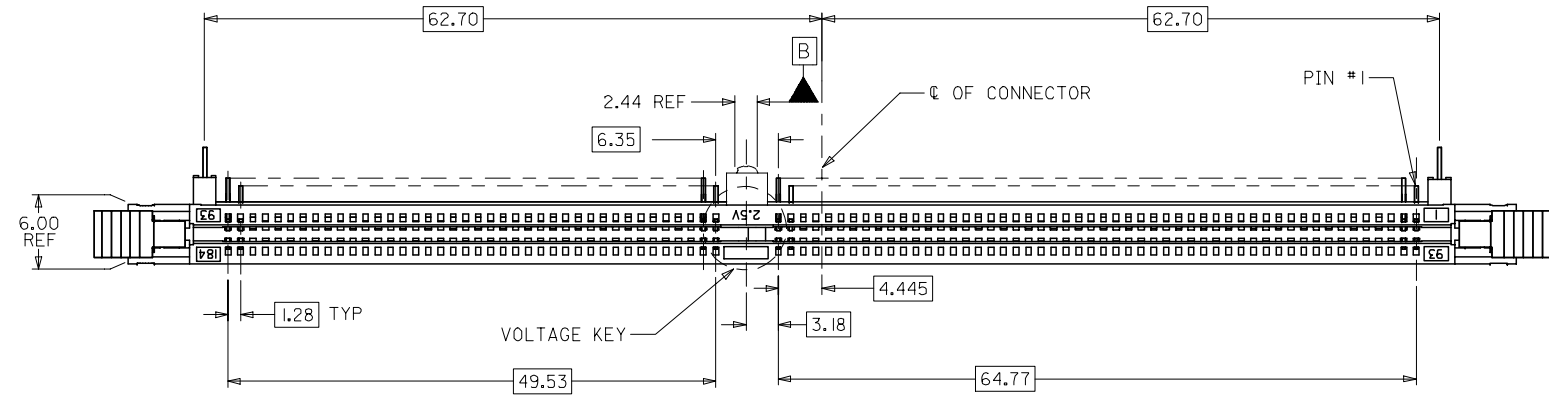
**Mates With**

[JEDEC MO-206 modules](#)

This document was generated on 04/09/2010

**PLEASE CHECK [WWW.MOLEX.COM](http://WWW.MOLEX.COM) FOR LATEST PART INFORMATION**

10 9 8 7 6 5 4 3 2 1



- NOTES:
- MATERIALS: HOUSING - LCP, GLASS FILLED, UL 94V-0, COLOR: BLACK  
LATCHES - HIGH TEMP NYLON, GLASS FILLED, UL 94V-0  
TERMINAL AND FORKLOCK - COPPER ALLOY
  - FINISHES: CONTACT AREA: SEE TABLE ON SHEET 5  
SOLDDERTAILS: 2.54um/100u" MIN. TIN  
OVER 1.27um/50u" MIN NICKEL
  - PRODUCT SPECIFICATIONS: PS-87639-002 FOR PERFORMANCE SPECIFICATIONS.
  - DATE CODE SHALL BE MARKED LEGIBLY AS SHOWN: XX XX  
YEAR WEEK
  - PART NUMBER SHALL BE MARKED LEGIBLY AS SHOWN: 87639-0XXX  
REFER TO TABLE

OBS TIN/LEAD P/N EC NO: S2006-0746 DRWN:HLG CHKD:HO APPR:GJLEE	2006/02/27	QUALITY SYMBOLS ▽=0 ◻=0	DESCRIPTION
	2006/02/28		

GENERAL TOLERANCES (UNLESS SPECIFIED)		
	mm	INCH
4 PLACES	± ---	± ---
3 PLACES	± ---	± ---
2 PLACES	± 0.25	± ---
1 PLACE	± ---	± ---
ANGULAR ± 5 °		
DRAFT WHERE APPLICABLE MUST REMAIN WITHIN DIMENSIONS		

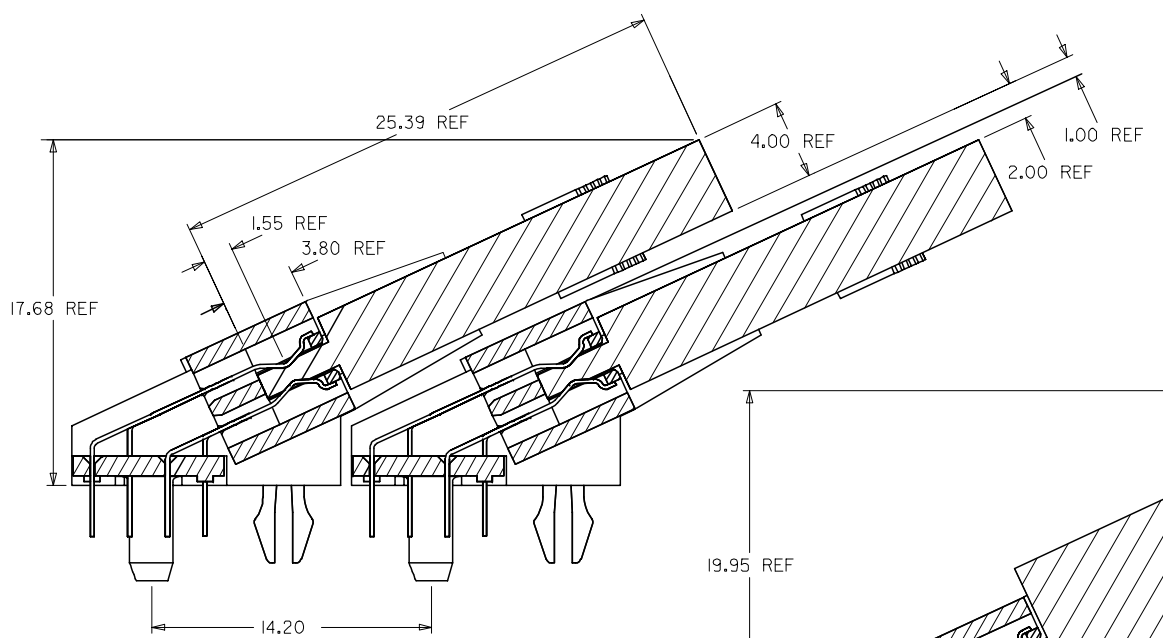
DIMENSION STYLE MM ONLY	
DRAWN BY	DATE
LPL IM	2000/05/31
CHECKED BY	DATE
DSOH	2000/07/07
APPROVED BY	DATE
SKTOH	2000/07/07
MATERIAL NO.	
SEE TABLE	
SIZE	A3

SCALE NTS	DESIGN UNITS METRIC	THIRD ANGLE PROJECTION
TITLE DDR DIMM, 1.27MM PITCH 184 CKTS, 25 DEG REVERSE 1.91MM ROW TO ROW		
MOLEX INCORPORATED		
MATERIAL NO.	DOCUMENT NO. SD-87639-001	SHEET NO. 1 OF 5
THIS DRAWING CONTAINS INFORMATION THAT IS PROPRIETARY TO MOLEX INCORPORATED AND SHOULD NOT BE USED WITHOUT WRITTEN PERMISSION		

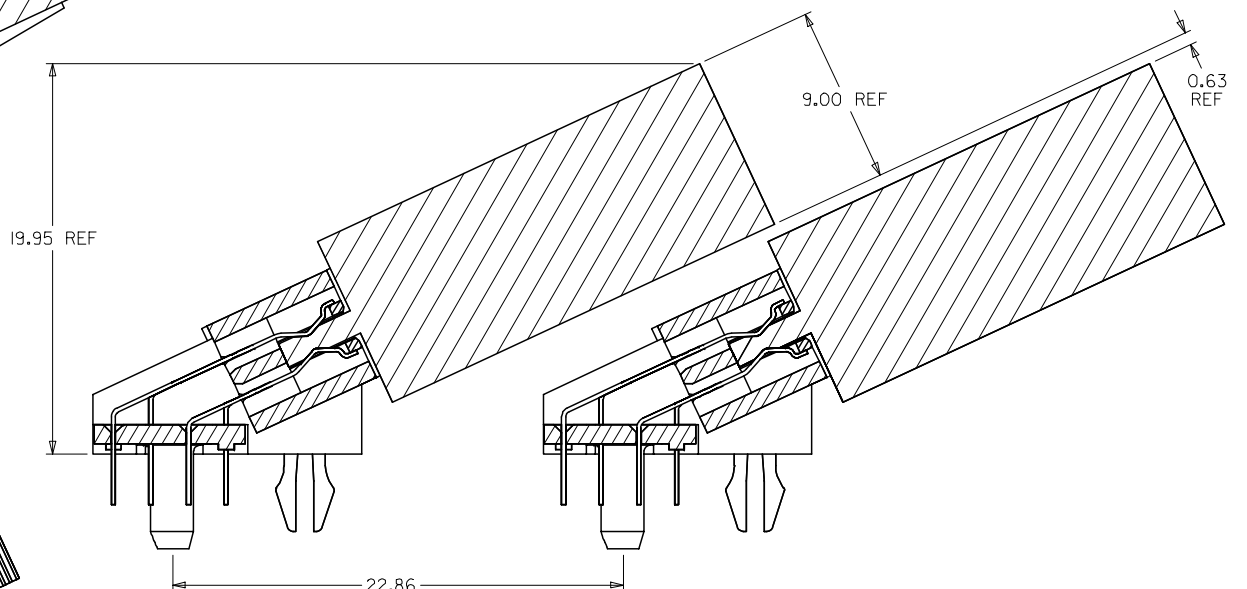
9 8 7 6 5 4 3 2 1

10 9 8 7 6 5 4 3 2 1

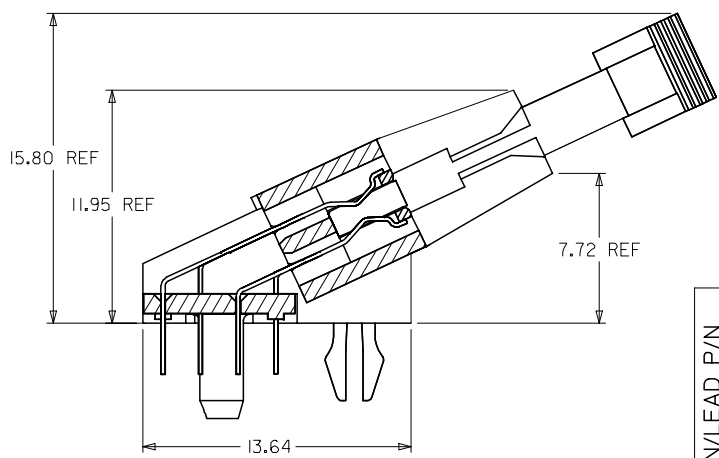
F  
E  
D  
C  
B  
A



MINIMUM RECOMMENDED ROW TO ROW SPACING  
WHEN USING A 4.00 mm THICK  
MODULE (TYPICAL TSOP PACKAGING)



MINIMUM RECOMMENDED ROW TO ROW SPACING  
WHEN USING A 9.00 mm THICK  
MODULE (TYPICAL SOJ PACKAGING)



SECTION A-A

OBS TIN/LEAD P/N  
EC NO: S2006-0746  
DRWN:MLONG  
CHKD:IHO  
APPR:GJLEE

2006/02/27  
2006/02/28  
2006/02/28

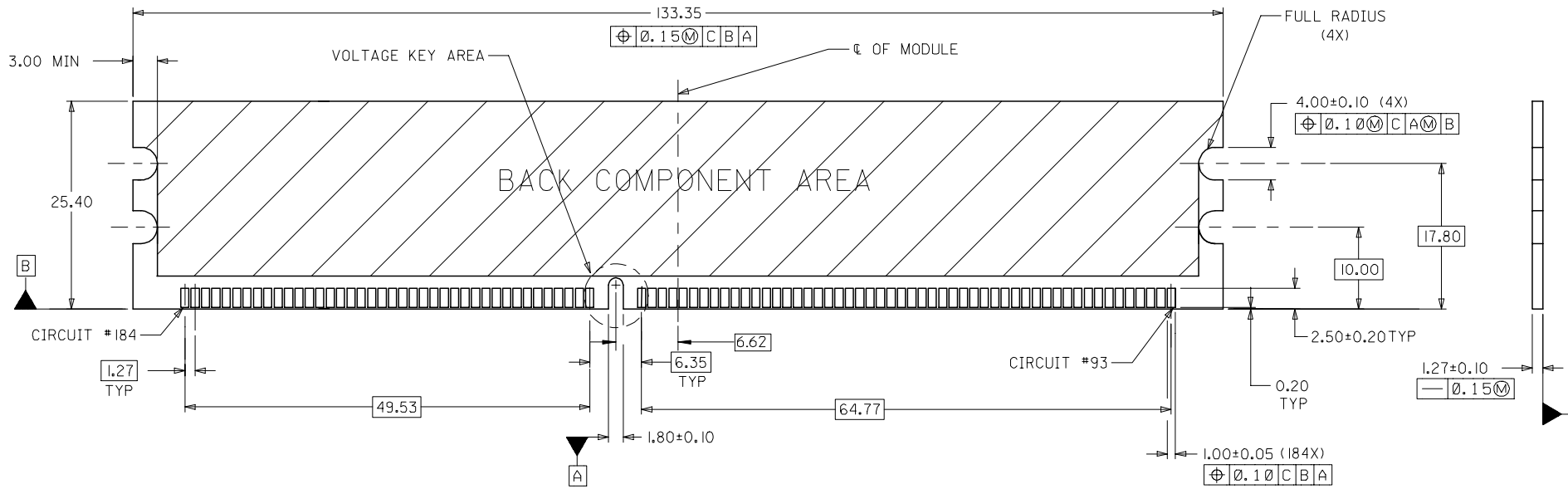
QUALITY SYMBOLS	GENERAL TOLERANCES (UNLESS SPECIFIED)	
▽=0	mm	INCH
▽C=0	4 PLACES ± ---	± ---
	3 PLACES ± ---	± ---
	2 PLACES ± 0.25	± ---
	1 PLACE ± ---	± ---
	ANGULAR ± 5 °	
	DRAFT WHERE APPLICABLE MUST REMAIN WITHIN DIMENSIONS	

DIMENSION STYLE		SCALE	DESIGN UNITS	THIRD ANGLE PROJECTION
MM ONLY		NTS	METRIC	
DRAWN BY	DATE	TITLE		
LPL IM	2000/05/31	DDR DIMM, 1.27MM PITCH		
CHECKED BY	DATE	184 CKTS, 25 DEG REVERSE		
DSOH	2000/07/07	1.91MM ROW TO ROW		
APPROVED BY	DATE	MOLEX INCORPORATED		
SKTOH	2000/07/07			
MATERIAL NO.	DOCUMENT NO.	SHEET NO.		
SEE TABLE	SD-87639-001	2 OF 5		
SIZE A3	THIS DRAWING CONTAINS INFORMATION THAT IS PROPRIETARY TO MOLEX INCORPORATED AND SHOULD NOT BE USED WITHOUT WRITTEN PERMISSION			

9 8 7 6 5 4 3 2 1

10 9 8 7 6 5 4 3 2 1

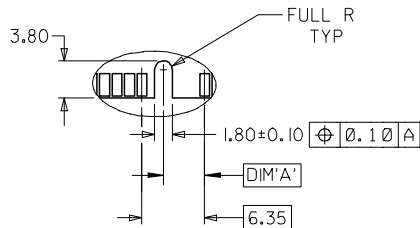
F  
E  
D  
C  
B  
A



RECOMMENDED MODULE LAYOUT  
 (PER JEDEC STANDARD MO-206, 184 CKT.)  
 UNLESS OTHERWISE SPECIFIED, GENERAL TOLERANCE FOR MODULE = ±0.13

VOLTAGE KEY AREA

VOLTAGE KEY	DIM 'A'
2.5V	4.175



OBS	TIN/LEAD P/N
EC NO:	S2006-0746
DRWN:	MLONG
CHKD:	IHO
APPR:	GGLEE
REV	DESCRIPTION

QUALITY SYMBOLS	▽=0
	∇=0

GENERAL TOLERANCES (UNLESS SPECIFIED)	
	mm INCH
4 PLACES	± --- ± ---
3 PLACES	± --- ± ---
2 PLACES	± 0.25 ± ---
1 PLACE	± --- ± ---
ANGULAR ± 5 °	
DRAFT WHERE APPLICABLE MUST REMAIN WITHIN DIMENSIONS	

DIMENSION STYLE	
MM ONLY	
DRAWN BY	DATE
LPL IM	2000/05/31
CHECKED BY	DATE
DSOH	2000/07/07
APPROVED BY	DATE
SKTOH	2000/07/07
MATERIAL NO.	SEE TABLE
SIZE	A3

SCALE	DESIGN UNITS	THIRD ANGLE PROJECTION
NTS	METRIC	
TITLE		
DDR DIMM, 1.27MM PITCH		
184 CKTS, 25 DEG REVERSE		
1.91MM ROW TO ROW		
MOLEX INCORPORATED		
DOCUMENT NO.	SHEET NO.	
SD-87639-001	3 OF 5	

9 8 7 6 5 4 3 2 1

10 9 8 7 6 5 4 3 2 1

F

F

E

E

D

D

C

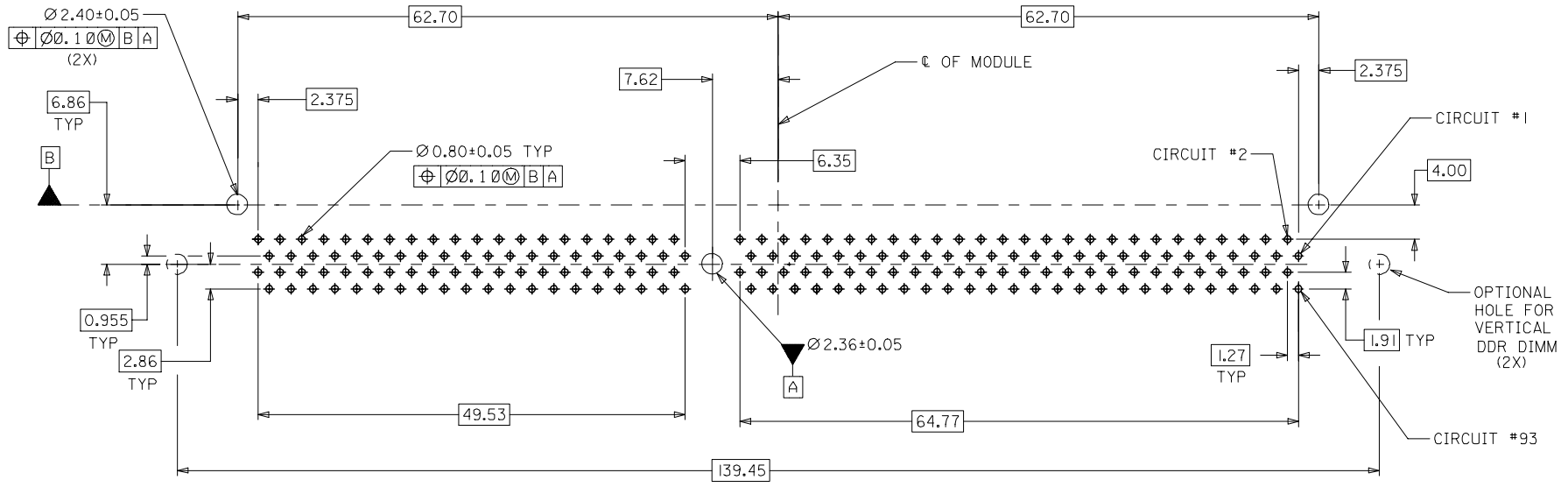
C

B

B

A

A



RECOMMENDED P.C. BOARD  
HOLE PATTERN ( CONNECTOR SIDE )

OBS TIN/LEAD P/N EC NO: S2006-0746 DRWN:MLONG CHKD:HO APPR:GGLLEE	2006/02/27 2006/02/28 2006/02/28	QUALITY SYMBOLS ▽=0 ∇=0	GENERAL TOLERANCES (UNLESS SPECIFIED)		DIMENSION STYLE MM ONLY		SCALE NTS	DESIGN UNITS METRIC	THIRD ANGLE PROJECTION			
				mm	INCH	DRAWN BY LPLIM	DATE 2000/05/31	TITLE DDR DIMM, 1.27MM PITCH 184 CKTS, 25 DEG REVERSE 1.91MM ROW TO ROW				
			4 PLACES	± ---	± ---	CHECKED BY DSOH	DATE 2000/07/07					
			3 PLACES	± ---	± ---	APPROVED BY SKTOH	DATE 2000/07/07	MATERIAL NO.		DOCUMENT NO.		SHEET NO.
2 PLACES	± 0.25	± ---	DRAFT WHERE APPLICABLE MUST REMAIN WITHIN DIMENSIONS		SEE TABLE		SD-87639-001		4 OF 5			
1 PLACE	± ---	± ---	SIZE A3 THIS DRAWING CONTAINS INFORMATION THAT IS PROPRIETARY TO MOLEX INCORPORATED AND SHOULD NOT BE USED WITHOUT WRITTEN PERMISSION									
ANGULAR ± 5 °												

9 8 7 6 5 4 3 2 1

10 9 8 7 6 5 4 3 2 1

MATERIAL NO.	VOLTAGE KEY	TAIL LENGTH P±0.25	RECOMMENDED PCB THICKNESS	FINISHES: CONTACT AREA
87639-1001	RIGHT (2.5V)	2.79	1.57	SELECTIVE GOLD 0.38µM/15µ" MIN. GOLD OVER 1.27µM/50µ" MIN. NICKEL
87639-1010		3.18		
87639-1011		3.56		
87639-1100		2.79		SELECTIVE GOLD 0.76µM/30µ" MIN. GOLD OVER 1.27µM/50µ" MIN. NICKEL
87639-1110		3.18		

F

F

E

E

D

D

C

C

B

B

A

A

OBS TIN/LEAD P/N EC NO: S2006-0746 DRWN:MLONG CHKD:HO APPR:GJLEE	2006/02/27 2006/02/28 2006/02/28	DESCRIPTION REV	QUALITY SYMBOLS	GENERAL TOLERANCES (UNLESS SPECIFIED)	DIMENSION STYLE	SCALE	DESIGN UNITS	THIRD ANGLE PROJECTION
			$\nabla=0$ $\triangle=0$	mm    INCH 4 PLACES ± --- ± --- 3 PLACES ± --- ± --- 2 PLACES ± 0.25 ± --- 1 PLACE ± --- ± --- ANGULAR ± 5 °	MM ONLY	NTS	METRIC	TITLE DDR DIMM, 1.27MM PITCH 184 CKTS, 25 DEG REVERSE 1.91MM ROW TO ROW
			DRAWN BY: LPL IM    DATE: 2000/05/31 CHECKED BY: DS0H    DATE: 2000/07/07 APPROVED BY: SKT0H    DATE: 2000/07/07	MOLEX INCORPORATED				
			DRAFT WHERE APPLICABLE MUST REMAIN WITHIN DIMENSIONS	SEE TABLE	DOCUMENT NO. SD-87639-001	SHEET NO. 5 OF 5		
			THIS DRAWING CONTAINS INFORMATION THAT IS PROPRIETARY TO MOLEX INCORPORATED AND SHOULD NOT BE USED WITHOUT WRITTEN PERMISSION					

9 8 7 6 5 4 3 2 1