

**PLEASE CHECK WWW.MOLEX.COM FOR LATEST PART INFORMATION**

**Part Number:** [0551244331](#)  
**Status:** **Active**  
**Overview:** [minihmc](#)  
**Description:** HMC™ Rectangular Industrial Terminal 55124, 18 AWG, Blue Retainer

**Documents:**

[Drawing \(PDF\)](#) [Product Specification PS-54478-001 \(PDF\)](#)  
[Product Specification PS-54319-001 \(PDF\)](#) [RoHS Certificate of Compliance \(PDF\)](#)

**General**

Product Family	Crimp Terminals
Series	<a href="#">55124</a>
Crimp Quality Equipment	Yes
Overview	<a href="#">minihmc</a>
Product Name	HMC™

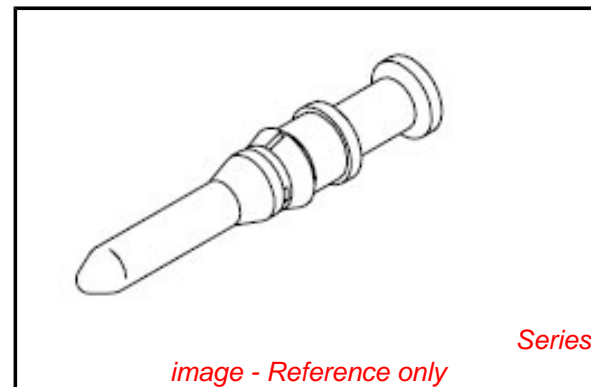
**Physical**

Gender	Male
Material - Metal	Brass
Material - Plating Mating	Silver
Packaging Type	Bag
Wire Insulation Diameter	3.60mm (.142") max.
Wire Size AWG	18
Wire Size mm²	N/A

**Material Info**

**Reference - Drawing Numbers**

Product Specification	PS-54319-001, PS-54478-001
Sales Drawing	SD-55124-001



**EU RoHS** **China RoHS**

**Compliance Status**

**Not Reviewed**

**REACH SVHC**

Not Reviewed

**Halogen-Free**

**Status**

**Not Reviewed**

**Need more information on product environmental compliance?**

Email [productcompliance@molex.com](mailto:productcompliance@molex.com)  
 For a multiple part number RoHS Certificate of Compliance, [click here](#)

Please visit the [Contact Us](#) section for any non-product compliance questions.

**Search Parts in this Series**

[55124Series](#)

**Mates With**

[54296](#)

**Use With**

[55347](#) housing, [55348](#) housing

**Application Tooling | FAQ**

*Tooling specifications and manuals are found by selecting the products below. Crimp Height Specifications are then contained in the Application Tooling Specification document.*

**Global**

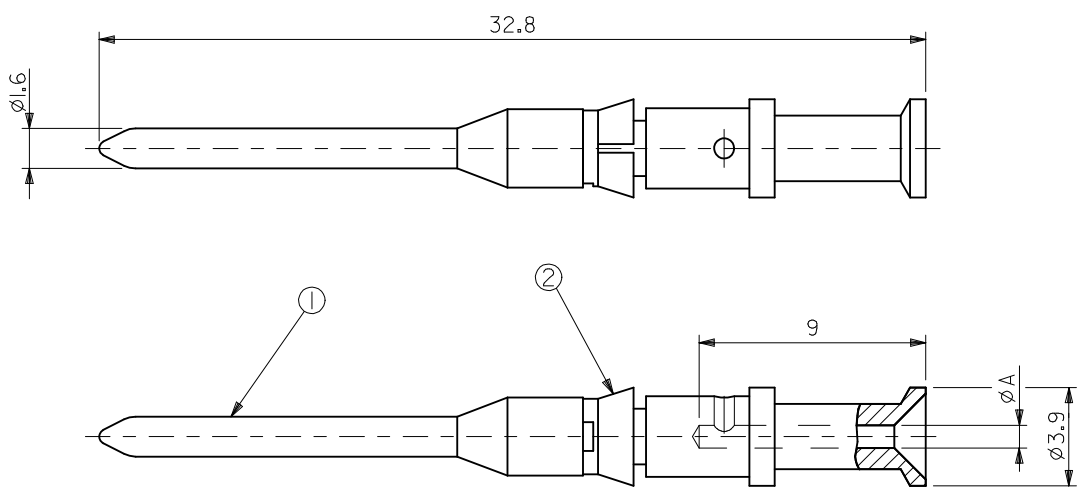
**Description** **Product #**

Insertion Tool	<a href="#">0638120600</a>
Extraction Tool	<a href="#">0638131800</a>
Hand Crimp Tool for HMC™ 1.60mm (.063") Crimp Terminals	<a href="#">0638231800</a>

This document was generated on 06/01/2010

**PLEASE CHECK [WWW.MOLEX.COM](http://WWW.MOLEX.COM) FOR LATEST PART INFORMATION**

部番 NO.	部品名 PARTS NAME	個数 QUAN.	材質 MATERIAL
①	φ1.6 ピンコンタクト φ1.6 PIN CONTACT	1	黄銅、銀メッキ BRASS,Ag PLATING
②	リテーナー RETAINER	1	66 ナイロン NYLON 66



- 注)  
NOTES:
1. 嵌合相手 : 54296-9\*\*\*  
MATING SOCKET CONTACT : 54296-9\*\*\*
  2. 適用圧着工具 (手動) : 57388-5000  
APPLICABLE CRIMP TOOL (HAND) : 57388-5000  
ロケータ : 58487-1000  
LOCATOR : 58487-1000
  3. 適用圧着工具 (半自動) : 57388-1000  
APPLICABLE CRIMP TOOL (SEMI-AUTOMATIC) : 57388-1000
  4. 適用引き抜き工具 : 57388-6100  
APPLICABLE EXTRACTION TOOL : 57388-6100
  5. 適用挿入工具 : 57388-6200  
APPLICABLE INSERTION TOOL : 57388-6200

8.5±0.4	3.6	1.25 ~ 1.5	#16	1.75	白 WHITE	55124-4431
		0.75 ~ 1.0	#18	1.45	青 BLUE	55124-4331
		0.14 ~ 0.37	#26~22	0.9	赤 RED	55124-4131
皮剥長さ(mm) STRIPPING LENGTH	被覆外径(φmmMAX.) INSULATION DIAMETER	断面積 (mm <sup>2</sup> ) SQ (mm <sup>2</sup> )	電線径 (AWG) WIRE SIZE (AWG)	A	リテーナー色 RETAINER COLOR	製品番号 ENG.NO.
適用電線範囲 APPLICABLE WIRE RANGE						

REVISED EC NO. : J2009-1128 DRWN:NAKAMURA 2008/12/15 CHKD:T. HARUYAMA 2008/12/15 APPR:NUKITA 2008/12/16	DESCRIPTION	GENERAL TOLERANCES (UNLESS SPECIFIED)		DIMENSION STYLE MM ONLY		SCALE 5:1	DESIGN UNITS METRIC	THIRD ANGLE PROJECTION	
		10 UNDER	±0.2	DRAWN BY N. MATSUURA	DATE '97/10/30	TITLE 1.6 PIN CONTACT ASSY (MACHINED TYPE)			
10 OVER 30 UNDER	±0.25	CHECKED BY Y. ITO	DATE	MOLEX INCORPORATED					
30 OVER	±0.3	APPROVED BY H. IKESUGI	DATE	DOCUMENT NO. SD-55124-001					
ANGULAR	±3 °	MATERIAL NO.		SHEET NO. 1 OF 1					
DRAFT WHERE APPLICABLE MUST REMAIN WITHIN DIMENSIONS		SEE TABLE							
		THIS DRAWING CONTAINS INFORMATION THAT IS PROPRIETARY TO MOLEX INCORPORATED AND SHOULD NOT BE USED WITHOUT WRITTEN PERMISSION							