

**PLEASE CHECK WWW.MOLEX.COM FOR LATEST PART INFORMATION**

**Part Number:** [0530471310](#)  
**Status:** **Active**  
**Overview:** [picoblade](#)  
**Description:** 1.25mm (.049") Pitch PicoBlade™ Wire-to-Board Header, Vertical, with Friction Lock, 13 Circuits

**Documents:**

[3D Model](#) [Product Specification PS-51021-010 \(PDF\)](#)  
[Drawing \(PDF\)](#) [RoHS Certificate of Compliance \(PDF\)](#)

**General**

Product Family	PCB Headers
Series	<a href="#">53047</a>
Application	Wire-to-Board
Overview	<a href="#">picoblade</a>
Product Name	PicoBlade™

**Physical**

Breakaway	No
Circuits (Loaded)	13
Circuits (maximum)	13
Durability (mating cycles max)	30
First Mate / Last Break	No
Glow-Wire Compliant	No
Guide to Mating Part	No
Keying to Mating Part	None
Lock to Mating Part	Yes
Mated Height (in)	0.205 In
Mated Height (mm)	5.20 mm
Material - Plating Mating	Tin
Material - Plating Termination	Tin
Number of Rows	1
Orientation	Vertical
PC Tail Length (in)	0.091 In
PC Tail Length (mm)	2.30 mm
PCB Locator	No
PCB Retention	None
PCB Thickness Recommended (in)	0.031 In
PCB Thickness Recommended (mm)	0.80 mm
Packaging Type	Tray
Pitch - Mating Interface (in)	0.049 In
Pitch - Mating Interface (mm)	1.25 mm
Polarized to PCB	No
Shrouded	Fully
Stackable	No
Surface Mount Compatible (SMC)	No
Temperature Range - Operating	-40°C to +85°C
Termination Interface: Style	Through Hole

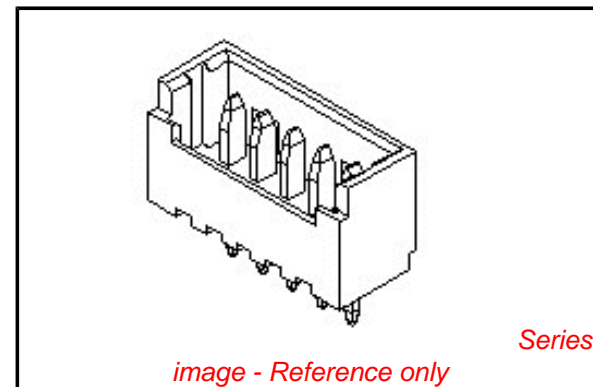
**Electrical**

Current - Maximum per Contact	1A
Voltage - Maximum	125V

**Material Info**

**Reference - Drawing Numbers**

Packaging Specification	SPK-53047
-------------------------	-----------



**EU RoHS**

**ELV and RoHS Compliant**

**REACH SVHC**

Not Reviewed

**Halogen-Free**

**Status**

**Not Halogen-Free**

**Need more information on product environmental compliance?**

Email [productcompliance@molex.com](mailto:productcompliance@molex.com)  
 For a multiple part number RoHS Certificate of Compliance, [click here](#)

Please visit the [Contact Us](#) section for any non-product compliance questions.

**China RoHS**



**Search Parts in this Series**

[53047Series](#)

**Mates With**

[51021 PicoBlade™ Wire-to-Wire](#)

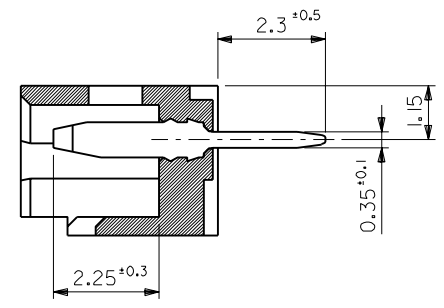
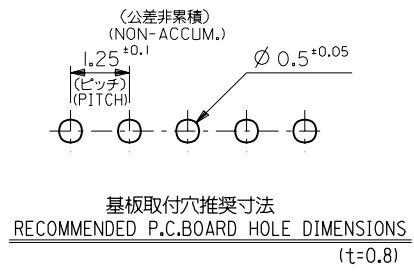
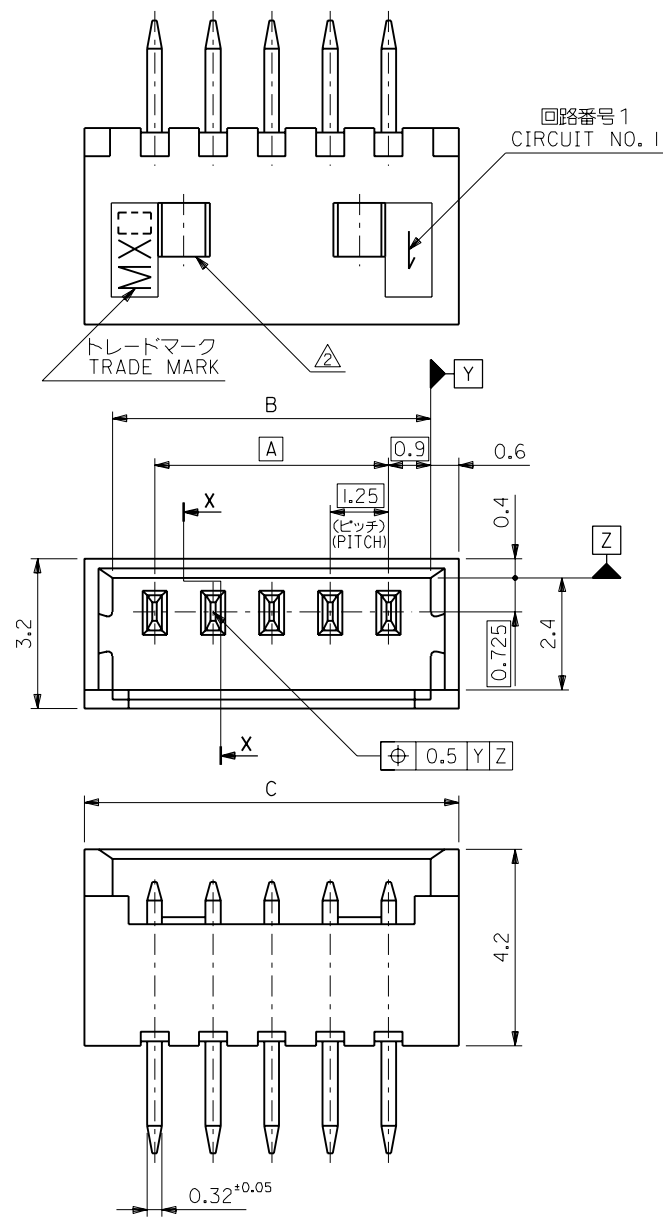
Product Specification

Sales Drawing

PS-51021-010, RPS-51021-007, RPS-51021-011,  
RPS-51021-041, RPS-51021-059, RPS-51021-060,  
RPS-51021-071, RPS-51021-089  
SD-53047-\*\*10

This document was generated on 05/26/2010

**PLEASE CHECK [WWW.MOLEX.COM](http://WWW.MOLEX.COM) FOR LATEST PART INFORMATION**



注記  
NOTES

- 嵌合相手 : 51021 シリーズ  
MATES WITH : 51021 SERIES
- ロック窓は2極と3極は1カ所、4極以上は2カ所とする。  
LOCK WINDOW :  
ONE PLACE FOR 2 AND 3 CKTS.  
TWO PLACES FOR 4 AND MORE THAN 4 CKTS.
- 材料  
ウエハー : 66ナイロン、UL94V-0 (カラー : オフホワイト)  
ピン : リン青銅、錫メッキ (0.9 μm MIN.)  
MATERIAL  
WAFER : 66NYLON, UL94V-0 (COLOR : OFF-WHITE)  
PIN : PHOSPHOR BRONZE, PRE-TINNED (0.9 μm MIN.)

20.5	19.3	17.5	53047-1510	15
19.25	18.05	16.25	↑ -1410	14
18	16.8	15	-1310	13
16.75	15.55	13.75	-1210	12
15.5	14.3	12.5	-1110	11
14.25	13.05	11.25	-1010	10
13	11.8	10	-0910	9
11.75	10.55	8.75	-0810	8
10.5	9.3	7.5	-0710	7
9.25	8.05	6.25	-0610	6
8	6.8	5	-0510	5
6.75	5.55	3.75	-0410	4
5.5	4.3	2.5	↓ -0310	3
4.25	3.05	1.25	53047-0210	2
C	B	A	ENG. NO.	極数 NO. OF CKTS.

材料 MATERIAL		注記3 参照 SEE NOTE 3		molex MOLEX-JAPAN CO.,LTD. 日本モレックス株式会社	
仕上げ FINISH		— — —		REVISE ONLY ON CAD SYSTEM	
適用電線範囲 WIRE RANGE		— — —		TITLE 名称	
被覆外径 INS. RANGE		— — —		1.25 WIRE TO BOARD CONN. WAFER ASS'Y STRAIGHT	
DRAWN BY '94/11/23 H.HIRAMOTO		CHK'D BY '94/11/24 M.FUKUSHIMA		DWG. NO.	
REVISED AND REWORKED		H.H. M.F.		REV	
REVISION RECORD		DR. DATE		SCALE 10 - 1	
E 変更及び再作図 (J40963)		'94/11/23		SD-53047-***10	
LTR 変更内容		DR. CHK. DATE		E	
一般公差 GENERAL TOLERANCES					