

PLEASE CHECK WWW.MOLEX.COM FOR LATEST PART INFORMATION

Part Number: [0513380674](#)
Status: **Active**
Description: 0.40mm (.016") Pitch Board-to-Board SlimStack™ Receptacle, Surface Mount, Dual Row, Vertical Stacking, with Space Saving J-Bend Leads, 60 Circuits, Lead-free

Documents:

[3D Model](#) [Product Specification PS-51338-003 \(PDF\)](#)
[Drawing \(PDF\)](#) [RoHS Certificate of Compliance \(PDF\)](#)
[Product Specification PS-51338-002 \(PDF\)](#)

General

Product Family PCB Receptacles
 Series 51338
 Application Board-to-Board
 Comments Solder Tab Plating: Tin (Sn) over Nickel
 Product Name SlimStack™

Physical

Circuits (Loaded) 60
 Circuits (maximum) 60
 Color - Resin Black
 Durability (mating cycles max) 30
 Glow-Wire Compliant No
 Lock to Mating Part Yes
 Mated Height (in) 0.059 In, 0.079 In
 Mated Height (mm) 1.50 mm, 2.00 mm
 Material - Metal Phosphor Bronze
 Material - Plating Mating Gold
 Material - Plating Termination Gold
 Number of Rows 2
 Orientation Vertical
 PCB Locator No
 PCB Retention None
 Packaging Type Embossed Tape on Reel
 Pitch - Mating Interface (in) 0.016 In
 Pitch - Mating Interface (mm) 0.40 mm
 Polarized to Mating Part No
 Polarized to PCB No
 Stackable No
 Surface Mount Compatible (SMC) Yes
 Temperature Range - Operating -25°C to +85°C
 Termination Interface: Style Surface Mount

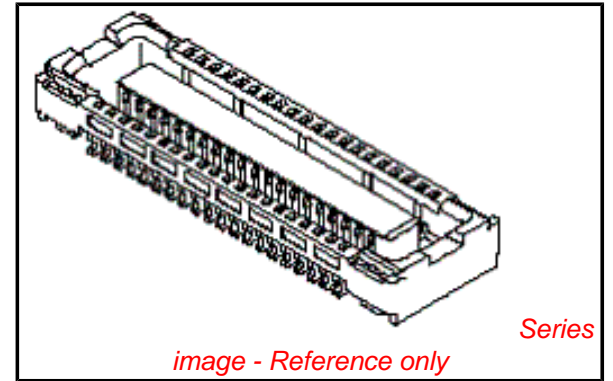
Electrical

Current - Maximum per Contact 0.3A
 Voltage - Maximum 50V AC (RMS)/DC

Material Info

Reference - Drawing Numbers

Packaging Specification SPK-51338-001
 Product Specification PS-51338-002, PS-51338-003, RPS-51338-007, RPS-51338-008, RPS-51338-011, RPS-51338-012, RPS-51338-013, RPS-51338-015, RPS-51338-018, RPS-51338-019, RPS-51338-020, RPS-51338-022, RPS-51338-024, RPS-51338-025, RPS-51338-027, RPS-51338-030, RPS-51338-031



EU RoHS

ELV and RoHS Compliant

REACH SVHC

Contains SVHC: No

Halogen-Free

Status

Not Reviewed

Need more information on product environmental compliance?

Email productcompliance@molex.com
 For a multiple part number RoHS Certificate of Compliance, [click here](#)

Please visit the [Contact Us](#) section for any non-product compliance questions.

China RoHS



Search Parts in this Series

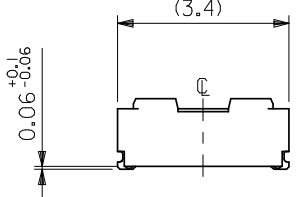
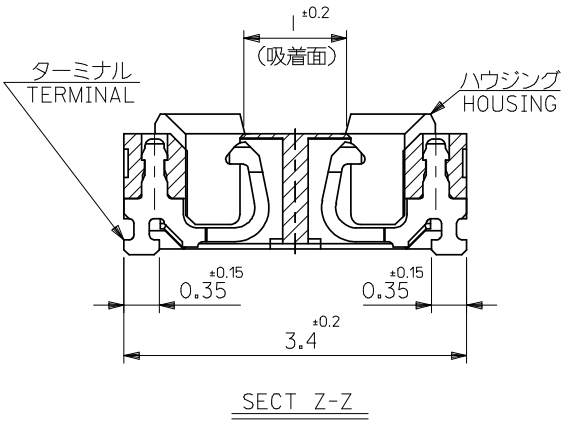
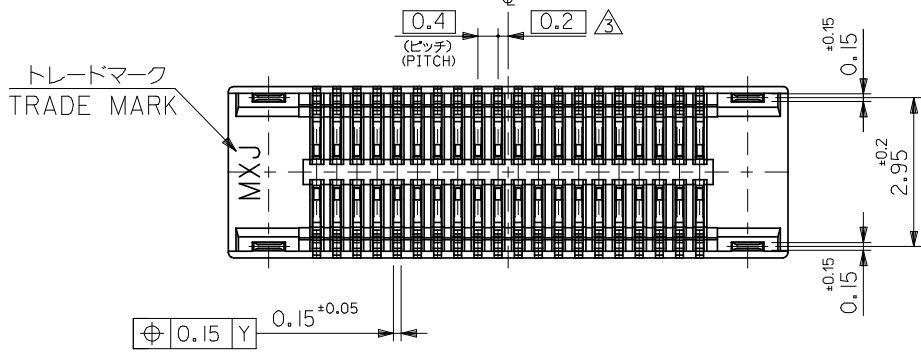
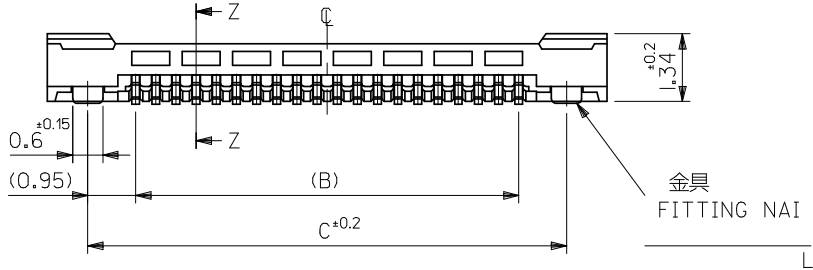
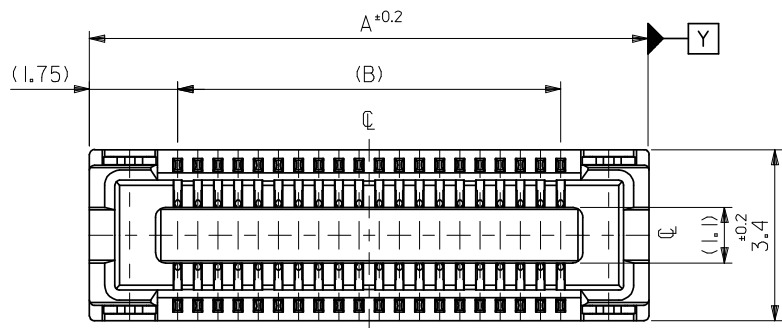
[51338Series](#)

Mates With

[55909](#) PCB Header, [501745](#) PCB Header

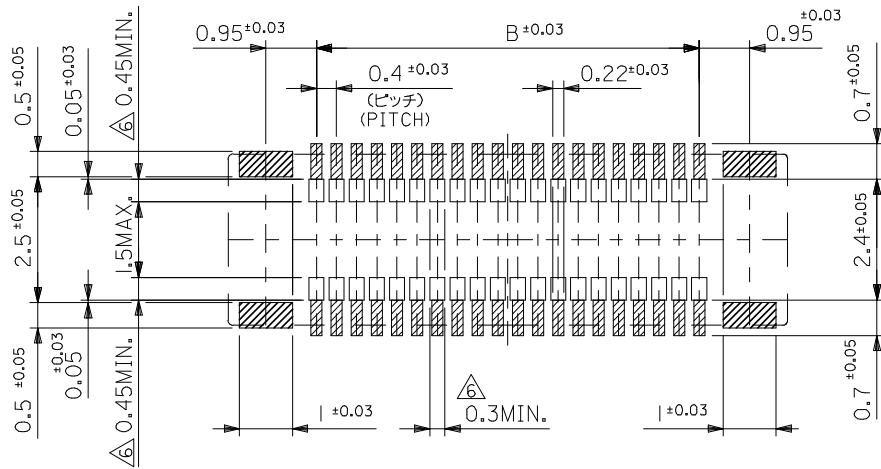
This document was generated on 04/26/2010

PLEASE CHECK WWW.MOLEX.COM FOR LATEST PART INFORMATION



| | | | | | |
|------|------|------|---|--------------|------|
| 25.5 | 23.6 | 27.1 | 51338-1274 | 51338-1209 | 120 |
| 21.5 | 19.6 | 23.1 | 51338-1074 | 51338-1009 | 100 |
| 19.5 | 17.6 | 21.1 | 51338-0974 | 51338-0909 | 90 |
| 17.5 | 15.6 | 19.1 | 51338-0874 | 51338-0809 | 80 |
| 15.5 | 13.6 | 17.1 | 51338-0774 | 51338-0709 | 70 |
| 13.5 | 11.6 | 15.1 | 51338-0674 | 51338-0609 | 60 |
| 11.5 | 9.6 | 13.1 | 51338-0574 | 51338-0509 | 50 |
| 9.5 | 7.6 | 11.1 | 51338-0474 | 51338-0409 | 40 |
| 8.3 | 6.4 | 9.9 | 51338-3474 | 51338-0349 | 34 |
| 7.5 | 5.6 | 9.1 | 51338-0374 | 51338-0309 | 30 |
| 6.7 | 4.8 | 8.3 | 51338-2674 | 51338-0269 | 26 |
| 6.3 | 4.4 | 7.9 | 51338-2474 | 51338-0249 | 24 |
| 5.9 | 4.0 | 7.5 | 51338-2274 | 51338-0229 | 22 |
| 5.5 | 3.6 | 7.1 | 51338-0274 | 51338-0209 | 20 |
| 3.9 | 2.0 | 5.5 | 51338-9974 | 51338-0129 | 12 |
| C | B | A | EMBOSSED TAPE PKG. ORDER No. オオーダー番号 | MATERIAL No. | CKT. |

| | | | | | | | |
|---|---------------------------------------|---|----------------------------|--------------------|--|------------------------|-------------------------|
| REVISED EC NO.: J2009-0301 DRWN: MWABEI 2008/08/27 CHKD: THARUYAMA 2008/08/28 APPR: NUKITA 2008/08/28 | GENERAL TOLERANCES (UNLESS SPECIFIED) | | DIMENSION STYLE MM ONLY | | SCALE --- | DESIGN UNITS METRIC | MODEL NO. 51338-***9 |
| | 10 UNDER | ±--- | DRAWN BY M. NINOMIYA | DATE 2004/03/17 | TITLE 0.4 B-TO-B REC ASSY HGT=1.5 J-BEND TAIL -LEAD FREE- | | |
| | 10 OVER 30 UNDER | ±--- | CHECKED BY K. TOJO | DATE 2004/03/17 | THIRD ANGLE PROJECTION | | |
| | 30 OVER | ±--- | APPROVED BY M. SASAO | DATE 2004/03/17 | MOLEX INCORPORATED | | |
| REV | DESCRIPTION | ANGULAR DRAFT WHERE APPLICABLE MUST REMAIN WITHIN DIMENSIONS | MATERIAL NO. | SEE TABLE | DOCUMENT NO. SD-51338-003 | SHEET NO. 1 OF 2 | |



参考基板レイアウト (マウント面)
P.C.BOARD PATTERN DIMENSION (REFERENCE)
(MOUNTING AREA)

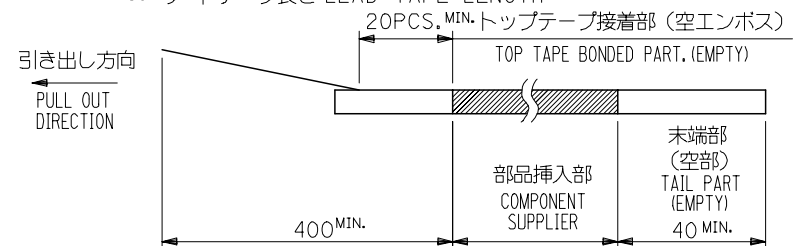
注記 NOTES:

1. 使用材料 MATERIAL
ハウジング: 液晶ポリマー (LCP) ガラス充填 UL94V-0 (黒)
HOUSING: LIQUID CRYSTAL POLYMER (GLASS FILLED)
UL94V-0 (COLOR: BLACK)
ターミナル: リン青銅 (t=0.15)
TERMINAL: PHOSPHOR BRONZE (t=0.15)
金具: リン青銅 (t=0.15)
FITTING NAIL: PHOSPHOR BRONZE (t=0.15)
2. メッキ仕様 PLATING
ターミナル TERMINAL
金メッキ 0.2マイクロメートル以上 (コンタクト部)
GOLD 0.2MICROMETER MINIMUM (CONTACT AREA)
金メッキ 0.4マイクロメートル以下 (テール部)
GOLD 0.4MICROMETER MAXIMUM (TAIL AREA)
下地メッキ: ニッケルメッキ 1.5マイクロメートル以上
UNDER PLATING: NICKEL 1.5MICROMETER MINIMUM
*コンタクト部とテール部はニッケルメッキによって分断されている金メッキです。
DIVIDE INTO PARTS THE GOLD PLATING OF THE CONTACT AND THE TAIL PART BY THE NICKEL PLATING.
金具 FITTING NAIL
錫メッキ 1.0 マイクロメートル以上
TIN PLATING 1.0 MICROMETER MINIMUM
下地メッキ: ニッケルメッキ 1.0 マイクロメートル以上
UNDER PLATING: NICKEL 1.0 MICROMETER MINIMUM
3. (全極数/2) = 偶数の場合に適用。
APPLY FOR (CIRCUIT/2)=EVEN.
4. 嵌合相手: 55909シリーズ
MATE WITH: 55909 SERIES.
5. テール平坦度は、0.08以下
テール及び金具の平坦度は、0.1以下
TAIL COPLANARITY TO BE 0.08MAXIMUM
TAIL AND FITTING NAIL COPLANARITY TO BE 0.1MAXIMUM
6. 同一回路以外のパターン書込み禁止範囲を示す。
NO PRINT CIRCUIT AREA OTHER THAN THE SAME CIRCUIT.
7. 本製品は 51338-***3 の鉛フリー品である。
THIS PRODUCT IS LEAD FREE OF 51338-***3.

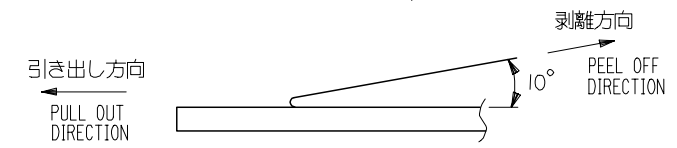
| | | | | | | | | |
|---|---------------------------------------|-------------|----------------------------|--------------|-------------|--------------|---|--------|
| REVISED EC NO: J2009-0301 DRAWN: MABEI 2008/08/27 CHKD: THARUYAMA 2008/08/28 APPR: NUKITA 2008/08/28 | GENERAL TOLERANCES (UNLESS SPECIFIED) | | DIMENSION STYLE MM ONLY | | 51338-***9 | | MODEL NO. | |
| | 10 UNDER | ±--- | DRAWN BY | DATE | SCALE | DESIGN UNITS | THIRD ANGLE PROJECTION | |
| | 10 OVER 30 UNDER | ±--- | M. NINOMIYA | 2004/03/17 | --- | METRIC | 0.4 B-TO-B REC ASSY HGT=1.5 J-BEND TAIL -LEAD FREE- | |
| | 30 OVER | ±--- | K. TOJO | 2004/03/17 | TITLE | | MOLEX INCORPORATED | |
| ANGULAR | ±---° | APPROVED BY | DATE | MATERIAL NO. | | DOCUMENT NO. | SHEET NO. | |
| DRAFT WHERE APPLICABLE MUST REMAIN WITHIN DIMENSIONS | | M. SASAO | | 2004/03/17 | SEE SHEET 1 | | SD-51338-003 | 2 OF 2 |
| THIS DRAWING CONTAINS INFORMATION THAT IS PROPRIETARY TO MOLEX INCORPORATED AND SHOULD NOT BE USED WITHOUT WRITTEN PERMISSION | | | | | | | | |

NOTES

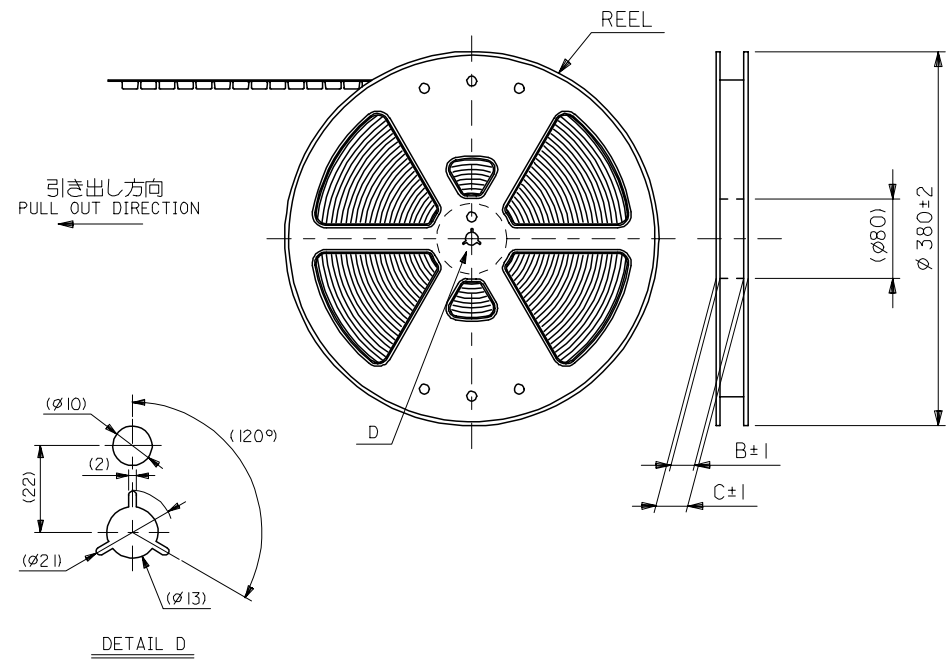
- 製品詳細寸法については製品単体図面を参照下さい。
RE DETAILED DIMENSION, SEE PRODUCT DRAWING.
- 梱包数量：2500個/リール
NUMBER OF CONNECTORS : 2500PCS/REEL
- リードテープ長さ LEAD TAPE LENGTH



- トップテープの剥離強度：0.1N～1.3N(10gf～130gf)
(剥離方向は下図参照)
尚、本規格値は出荷時に適用。(但し、輸送時に剥離が発生しないこと。)
PEELING OFF FORCE OF TOP TAPE : 0.1N～1.3N(10gf～130gf)
(PEELING DIRECTION AS SHOWN IN FOLLOWING FIG.)
THIS REQUIREMENT SHOULD BE APPLIED AT SHIPMENT.
PEEL OFF SHOULD NOT BE ALLOWED, DURING TRANSPORTATION.



- 材料
キャリアテープ (CARRIER TAPE) : ポリプロピレン (POLYPROPYLENE)
トップテープ (TOPTAPE) : PET, PE, PEF
リール (REEL) : ポリスチレン (PS) <リサイクル材を含む>
POLYSTYRENE (PS) <RECYCLE MATERIAL CONTAINED>
- 本製品は 51338-***4 の鉛フリー品である。
THIS PRODUCT IS LEAD FREE OF 51338-***4.



DETAIL D

| | | | | | | | | |
|--|--|------|----------------------------|--------------------|--|------------------------|------------------------|--|
| REVISED EC NO: J2006-0826 DRWN: TAKEMOTO CHKD: 2005/09/30 APPR: NUKITA 2005/09/30 | GENERAL TOLERANCES (UNLESS SPECIFIED) | | DIMENSION STYLE MM ONLY | | 51338-xx74 | | MODEL NO. | |
| | 10 UNDER | ±--- | DRAWN BY M. NINOMI | DATE 2004/03/17 | SCALE --- | DESIGN UNITS METRIC | THIRD ANGLE PROJECTION | |
| | 10 OVER 30 UNDER | ±--- | CHECKED BY K. TOJO | DATE 2004/03/17 | TITLE 0.4 B-TO-B CONN. REC HSG ASSY(HGT=1.5) EMBSTP PKG -LEAD FREE- | | | |
| | 30 OVER | ±--- | APPROVED BY M. SASAO | DATE 2004/03/17 | MOLEX INCORPORATED | | | |
| | ANGULAR | ±--- | MATERIAL NO. SEE CHART | | DOCUMENT NO. SD-51338-004 | | SHEET NO. 1 OF 4 | |
| | DRAFT WHERE APPLICABLE MUST REMAIN WITHIN DIMENSIONS | | SIZE A3 | | THIS DRAWING CONTAINS INFORMATION THAT IS PROPRIETARY TO MOLEX INCORPORATED AND SHOULD NOT BE USED WITHOUT WRITTEN PERMISSION | | | |

10 9 8 7 6 5 4 3 2 1

F

E

D

C

B

A

F

E

D

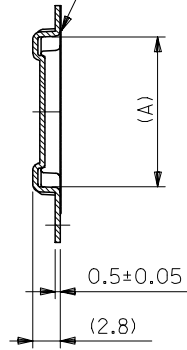
C

B

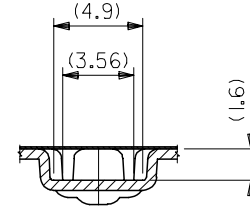
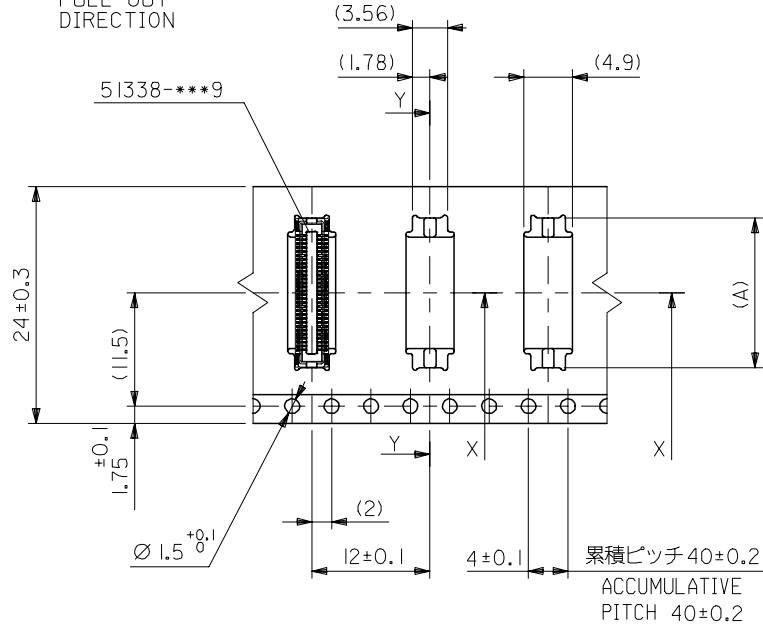
A

引き出し方向
PULL OUT
DIRECTION

トップテープ
TOP TAPE



SECT:Y-Y



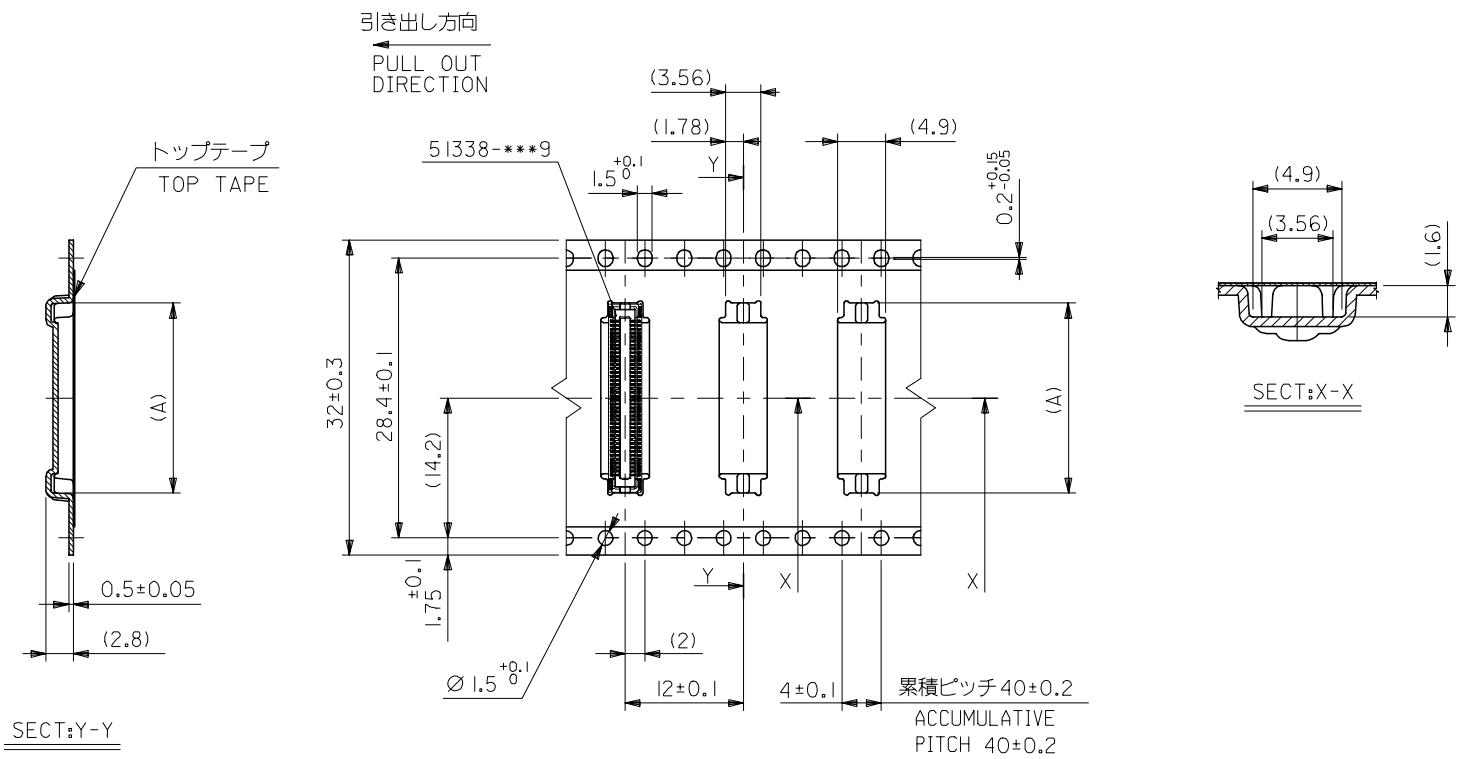
SECT:X-X

24mm幅キャリアテープ
24mm WIDTH CARRIER TAPE

累積ピッチ 40±0.2
ACCUMULATIVE
PITCH 40±0.2

| | | | | | | | |
|--------------------------------|------------|------|-------|------------|-----|--------------|------------|
| 24 | 29.4 | 25.4 | 15.26 | 51338-0674 | 60 | | |
| | | | 13.26 | 51338-0574 | 50 | | |
| | | | 11.26 | 51338-0474 | 40 | | |
| | | | 10.06 | 51338-3474 | 34 | | |
| | | | 9.26 | 51338-0374 | 30 | | |
| | | | 8.46 | 51338-2674 | 26 | | |
| | | | 8.06 | 51338-2474 | 24 | | |
| | | | 7.66 | 51338-2274 | 22 | | |
| | | | 7.26 | 51338-0274 | 20 | | |
| 5.66 | 51338-9974 | 12 | | | | | |
| キャリアテープ幅 CARRIER TAPE WIDTH | | | C | B | (A) | MATERIAL NO. | 極数 CKT. |

| | | | | | | | | | | |
|---|---------------------------------------|------|--|--------------------|--|--|--|--|------------------------|--|
| REVISED EC NO: J2006-0826 DRWN: TAKEMOTO 2005/09/30 CHKD: TANAKA 2005/09/30 APPR: NUKITA 2005/09/30 | GENERAL TOLERANCES (UNLESS SPECIFIED) | | DIMENSION STYLE MM ONLY | | SCALE --- | | DESIGN UNITS METRIC | | THIRD ANGLE PROJECTION | |
| | 10 UNDER | ±--- | DRAWN BY M. NINOMI | DATE 2004/03/17 | TITLE 0.4 B-TO-B CONN. REC HSG ASSY(HGT=1.5) EMBSTP PKG -LEAD FREE- | | | | | |
| | 10 OVER 30 UNDER | ±--- | CHECKED BY K. TOJO | DATE 2004/03/17 | APPROVED BY M. SASAO 2004/03/17 | | | | | |
| | 30 OVER | ±--- | APPROVED BY M. SASAO 2004/03/17 | | MATERIAL NO. SEE CHART | | DOCUMENT NO. SD-51338-004 | | SHEET NO. 2 OF 4 | |
| | ANGULAR | ±--- | DRAFT WHERE APPLICABLE MUST REMAIN WITHIN DIMENSIONS | | SIZE A3 | | THIS DRAWING CONTAINS INFORMATION THAT IS PROPRIETARY TO MOLEX INCORPORATED AND SHOULD NOT BE USED WITHOUT WRITTEN PERMISSION | | | |



32mm幅キャリアテープ
32mm WIDTH CARRIER TAPE

| | | | | | |
|--------------------------------|------|------|-------|--------------|------------|
| 32 | 37.4 | 33.4 | 21.26 | 51338-0974 | 90 |
| | | | 19.26 | 51338-0874 | 80 |
| | | | 17.26 | 51338-0774 | 70 |
| キャリアテープ幅 CARRIER TAPE WIDTH | C | B | (A) | MATERIAL NO. | 極数 CKT. |

| | | | | | | | | | | |
|---|--|--|----------------------------|--------------|---|--------------|------------------------|-----------|---------------------------|--|
| REVISED EC NO: J2006-0826 DRW: TAKEMOTO 2005/09/30 CHK: TANAKA 2005/09/30 APPR: NUKITA 2005/09/30 | GENERAL TOLERANCES (UNLESS SPECIFIED) | | DIMENSION STYLE MM ONLY | | SCALE --- | | DESIGN UNITS METRIC | | THIRD ANGLE PROJECTION | |
| | 10 UNDER | ±--- | DRAWN BY | DATE | TITLE | | | | | |
| | 10 OVER 30 UNDER | ±--- | M. NINOMI | 2004/03/17 | 0.4 B-TO-B CONN. REC HSG ASSY(HGT=1.5) EMBSTP PKG -LEAD FREE- | | | | | |
| | 30 OVER | ±--- | K. TOJO | 2004/03/17 | MOLEX INCORPORATED | | | | | |
| ANGULAR | ±--- | DRAFT WHERE APPLICABLE MUST REMAIN WITHIN DIMENSIONS | | MATERIAL NO. | | DOCUMENT NO. | | SHEET NO. | | |
| | | SEE CHART | | SD-51338-004 | | 3 OF 4 | | | | |

10 9 8 7 6 5 4 3 2 1

F

E

D

C

B

A

F

E

D

C

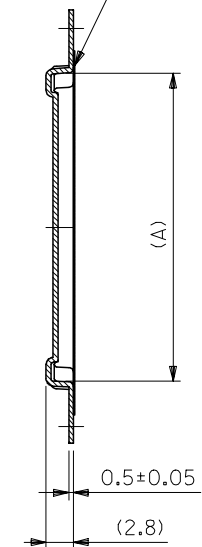
B

A

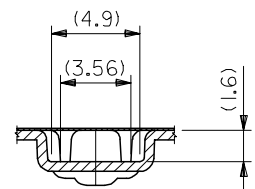
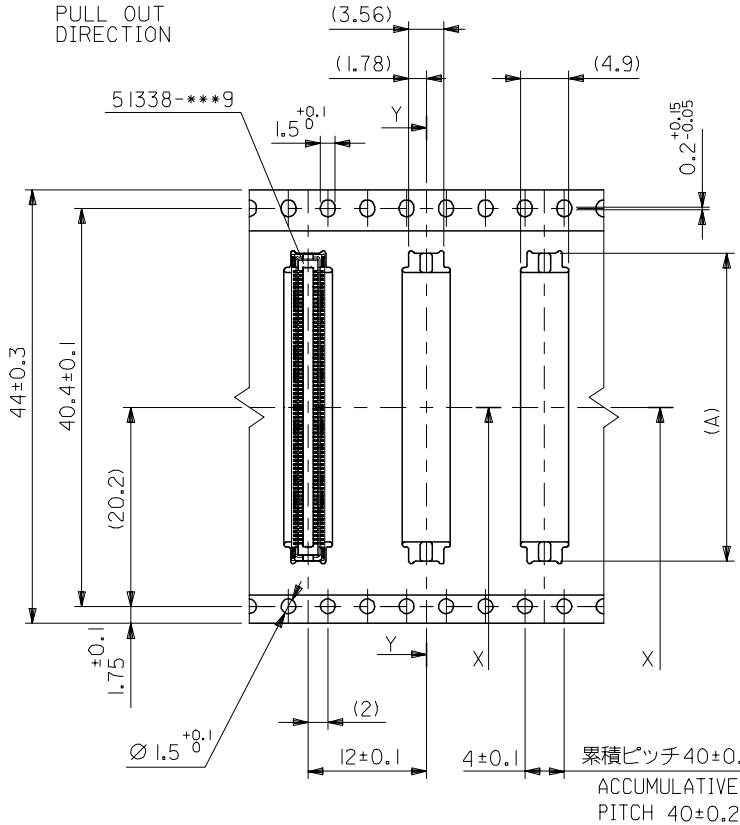
引き出し方向
PULL OUT
DIRECTION

トップテープ
TOP TAPE

51338-***9



SECT:Y-Y



SECT:X-X

44mm幅キャリアテープ
44mm WIDTH CARRIER TAPE

| | | | | | |
|--------------------------------|------|------|-------|--------------|------------|
| 44 | 49.4 | 45.4 | 27.26 | 51338-1274 | 120 |
| | | | 23.26 | 51338-1074 | 100 |
| キャリアテープ幅 CARRIER TAPE WIDTH | C | B | (A) | MATERIAL NO. | 極数 CKT. |

51338-***74 MODEL NO.

| | | | | | | | |
|--|---------------------------------------|------|--|--------------------|--|------------------------|------------------------|
| REVISED EC NO: J2006-0826 DRWN: TAKEMOTO CHKD: 2005/09/30 APPR: NUKITA 2005/09/30 | GENERAL TOLERANCES (UNLESS SPECIFIED) | | DIMENSION STYLE MM ONLY | | SCALE --- | DESIGN UNITS METRIC | THIRD ANGLE PROJECTION |
| | 10 UNDER | ±--- | DRAWN BY M. NINOMI | DATE 2004/03/17 | TITLE 0.4 B-TO-B CONN. REC HSG ASSY(HGT=1.5) EMBSTP PKG -LEAD FREE- | | |
| | 10 OVER 30 UNDER | ±--- | CHECKED BY K. TOJO | DATE 2004/03/17 | MOLEX INCORPORATED | | |
| | 30 OVER | ±--- | APPROVED BY M. SASAO | DATE 2004/03/17 | DOCUMENT NO. SD-51338-004 | | |
| | ANGULAR | ±--- | MATERIAL NO. SEE CHART | | SHEET NO. 4 OF 4 | | |
| DRAFT WHERE APPLICABLE MUST REMAIN WITHIN DIMENSIONS | | | THIS DRAWING CONTAINS INFORMATION THAT IS PROPRIETARY TO MOLEX INCORPORATED AND SHOULD NOT BE USED WITHOUT WRITTEN PERMISSION | | | | |