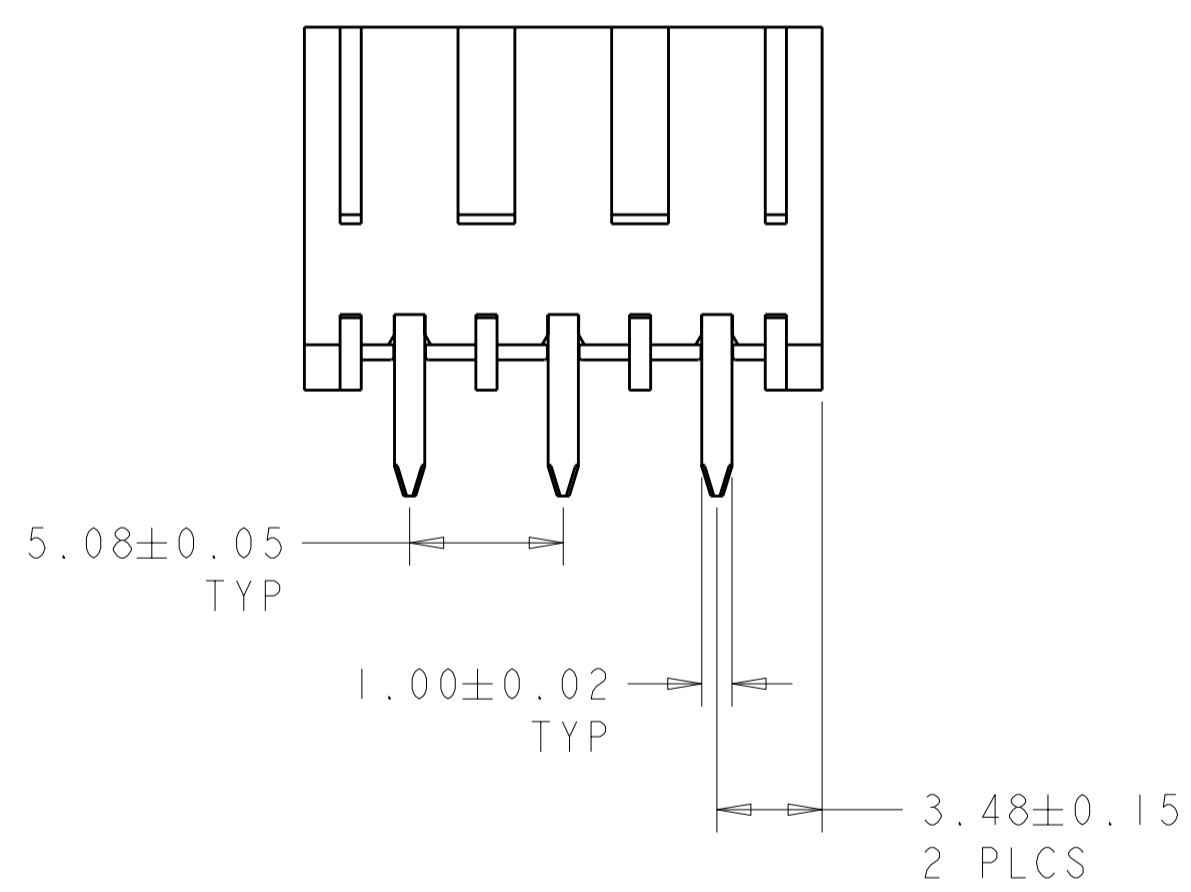
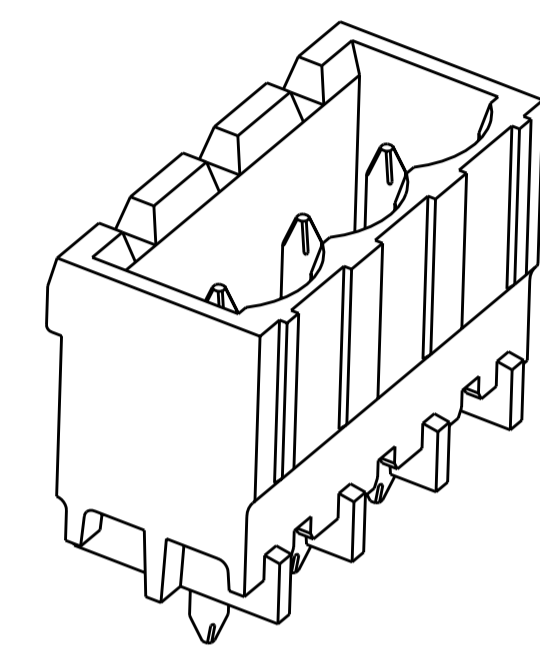
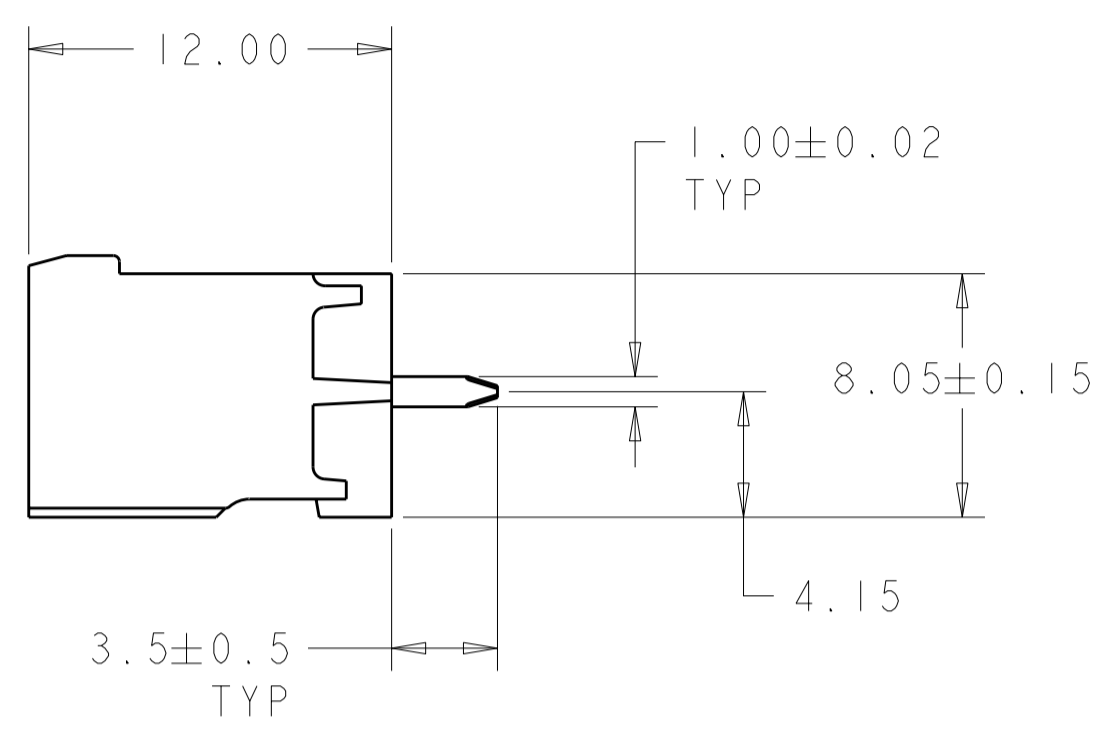
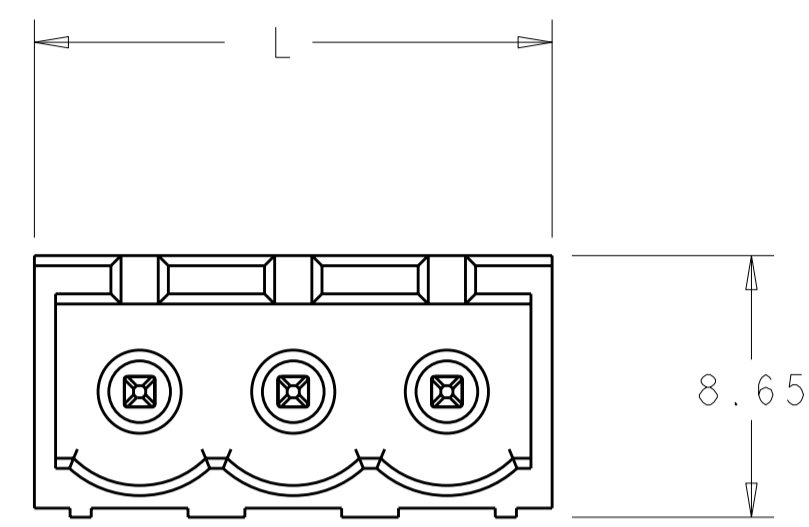


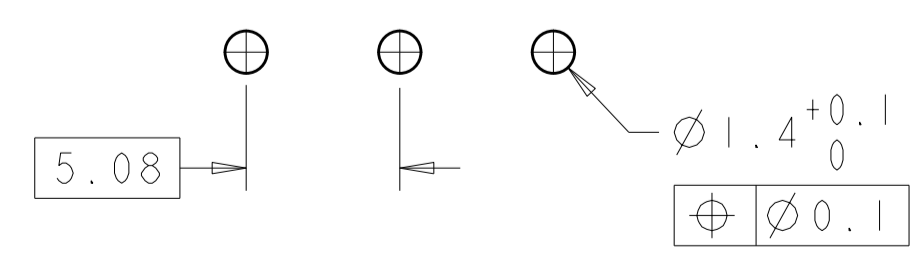
THIS DRAWING IS UNPUBLISHED. RELEASED FOR PUBLICATION 20
 © COPYRIGHT 20 BY TYCO ELECTRONICS CORPORATION. ALL RIGHTS RESERVED.

LOC		DIST		REVISIONS			
P	LTR	DESCRIPTION	DATE	DWN	APVD		
	01	ECO-08-024206	02OCT2008	MB	CR		
	02	ECO-08-27910	10NOV2008	MB	CR		



- 1. MATERIALS AND FINISH
 HOUSING: HIGH TEMPERATURE POLYAMIDE, UL 94V-0 RATED,
 COLOR: BLACK.
 TERMINAL: PHOSPHOR BRONZE, TIN PLATED.
 - 2. SUITABLE FOR 1,6-2, 4mm PC BOARD THICKNESS.
 - 3. RECOGNIZED UNDER THE COMPONENT PROGRAM OF
 UNDERWRITERS LABORATORIES INC. FILE N° E60677.
 - 4. IMQ CERTIFICATE WITH SURVEILLANCE IN CONFORMITY
 WITH IEC 998-1/998-2-1.}
 - 5. UL RATING 300V, 15A.
6. TAPE AND REELED PACKAGED
7. PRELIMINARY PART - NOT RELEASED FOR PRODUCTION.

7/6	22.20±0.10	4	2-1776147-4
	62.84±0.20	12	1-1776147-2
	57.76±0.20	11	1-1776147-1
	52.68±0.20	10	1-1776147-0
	47.60±0.15	9	1776147-9
	42.52±0.15	8	1776147-8
	37.44±0.15	7	1776147-7
	32.36±0.15	6	1776147-6
	27.28±0.10	5	1776147-5
	22.20±0.10	4	1776147-4
	17.12±0.10	3	1776147-3
	12.04±0.10	2	1776147-2
	DIM L	NO OF POSN	PART NUMBER



RECOMMENDED PC BOARD LAYOUT

THIS DRAWING IS A CONTROLLED DOCUMENT FOR TYCO ELECTRONICS CORPORATION. IT IS SUBJECT TO CHANGE AND THE CONTROLLING ENGINEERING ORGANIZATION SHOULD BE CONTACTED FOR THE LATEST REVISION.		DWN S. WELDON 07JUN2005	Tyco Electronics Harrisburg, PA 17105-3608	
DIMENSIONS: mm		CHK C. RICHARD 07JUN2005	NAME TERMINAL BLOCK HEADER ASSEMBLY, 180 DEGREE, CLOSED ENDS, 5.08mm PITCH	
TOLERANCES UNLESS OTHERWISE SPECIFIED: 0 PLC ± 1 PLC ±0.5 2 PLC ±0.25 3 PLC ± 4 PLC ± ANGLES ± FINISH		APVD C. RICHARD 07JUN2005	RESTRICTED TO	
MATERIAL		PRODUCT SPEC	SIZE A200779	DRAWING NO C-1776147
CUSTOMER DRAWING		WEIGHT	SCALE 4:1	SHEET 1 OF 1
				REV 02