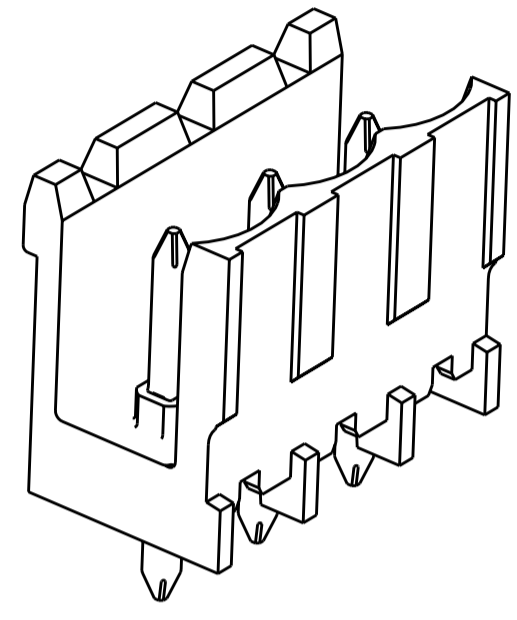
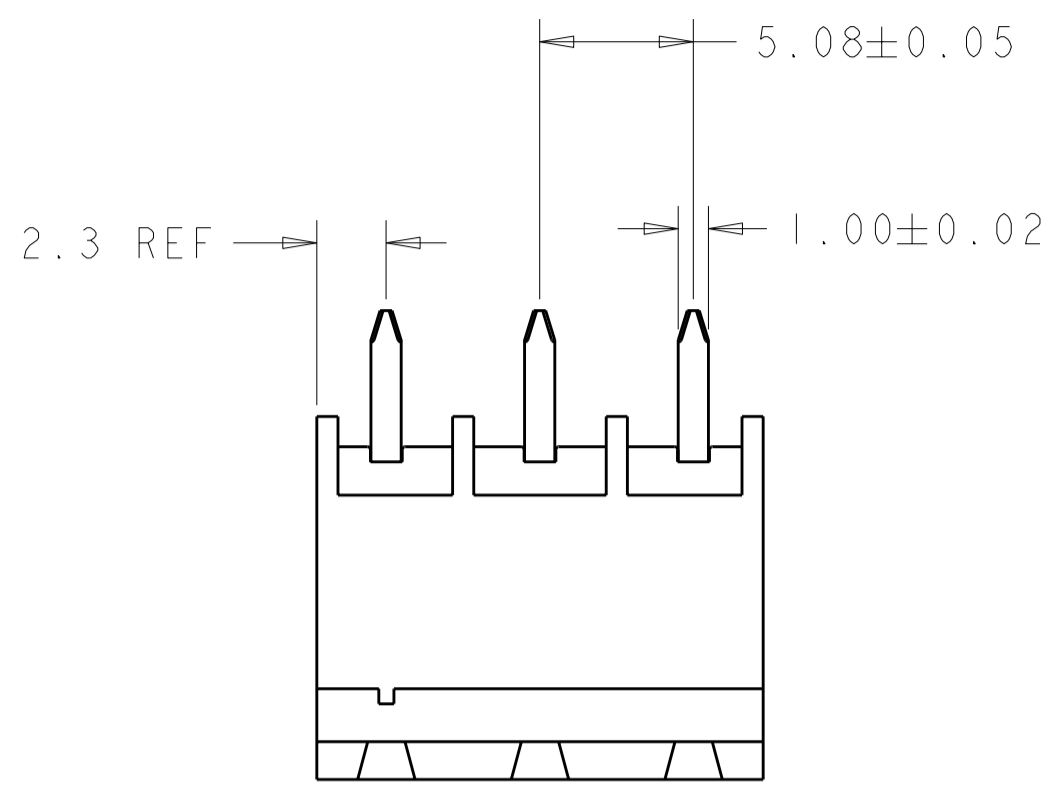
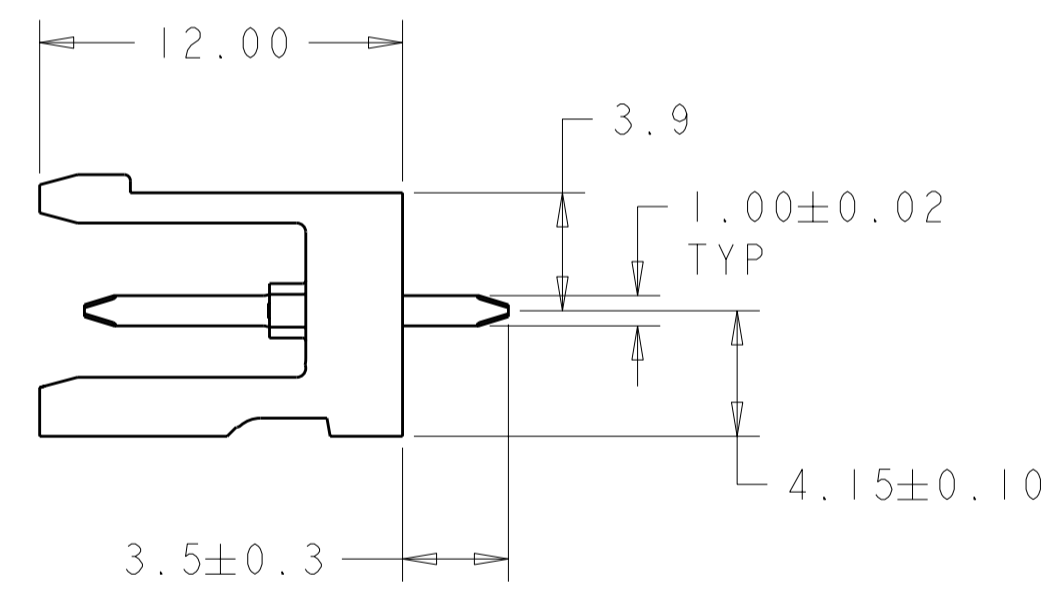
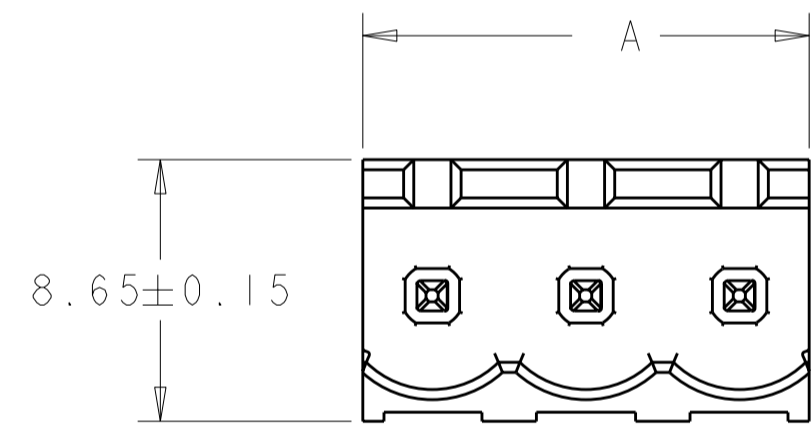


THIS DRAWING IS UNPUBLISHED. RELEASED FOR PUBLICATION 20  
 © COPYRIGHT 20 BY TYCO ELECTRONICS CORPORATION. ALL RIGHTS RESERVED.

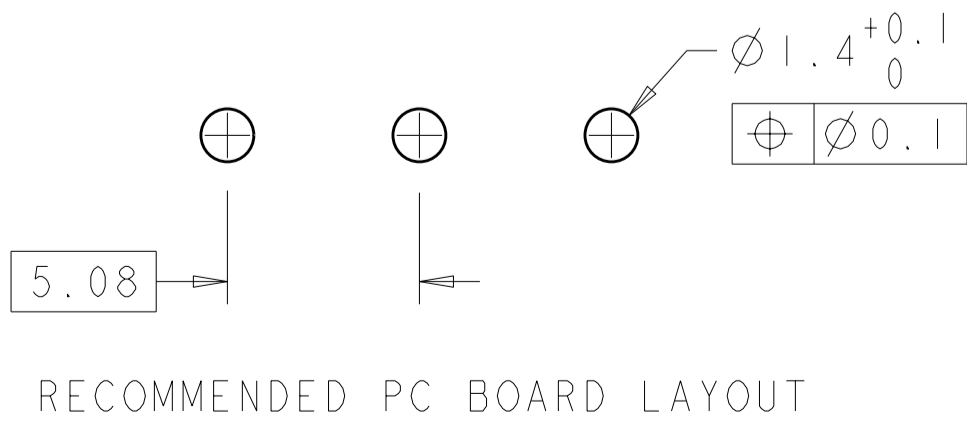
LOC		DIST		REVISIONS			
P	LTR	DESCRIPTION	DATE	DWN	APVD		
	0	RELEASED EC 063B-0612-04	03JUN2005	SW	CR		
	01	ECO-08-024206	02OCT2008	MB	CR		



- △ MATERIALS AND FINISH:  
 HOUSING: HIGH TEMPERATURE POLYAMIDE, UL 94V-0 RATED,  
 COLOR: BLACK.  
 TERMINAL: PHOSPHOR BRONZE, FINISH: TIN PLATED.
- SUITABLE FOR 1,6-2,4mm PC BOARD THICKNESS.
  - END-TO-END STACKABLE WITHOUT LOSS OF CENTERLINE SPACING.
  - RECOGNIZED UNDER THE COMPONENT PROGRAM OF UNDERWRITERS LABORATORIES INC. FILE N°E60677.
  - IMQ CERTIFICATE WITH SURVEILLANCE IN CONFORMITY WITH IEC 998-1/998-2-1.
  - UL RATING: 300V, 15A.



60.48 ± 0.20	12	1-1776139-2
55.40 ± 0.20	11	1-1776139-1
50.32 ± 0.10	10	1-1776139-0
45.24 ± 0.15	9	1776139-9
40.16 ± 0.15	8	1776139-8
35.08 ± 0.15	7	1776139-7
30.00 ± 0.15	6	1776139-6
24.92 ± 0.10	5	1776139-5
19.84 ± 0.10	4	1776139-4
14.76 ± 0.10	3	1776139-3
9.68 ± 0.10	2	1776139-2
A	NO OF POSN	PART NUMBER



THIS DRAWING IS A CONTROLLED DOCUMENT FOR TYCO ELECTRONICS CORPORATION. IT IS SUBJECT TO CHANGE AND THE CONTROLLING ENGINEERING ORGANIZATION SHOULD BE CONTACTED FOR THE LATEST REVISION.		DWN S. WELDON 03JUN2005	Tyco Electronics Harrisburg, PA 17105-3608	
DIMENSIONS: mm		CHK C. RICHARD 03JUN2005	NAME TERMINAL BLOCK HEADER ASSEMBLY 180 DEGREE OPEN ENDS, STACKING 5.08mm PITCH	
TOLERANCES UNLESS OTHERWISE SPECIFIED: 0 PLC ±3 1 PLC ±.3 2 PLC ±.25 3 PLC ±. 4 PLC ±. ANGLES ±2		APVD C. RICHARD 03JUN2005	RESTRICTED TO	
MATERIAL △ -		PRODUCT SPEC 108-20166	SIZE A2	CAGE CODE 00779
		APPLICATION SPEC 114-20079	DRAWING NO 1776139	REV 01
		FINISH △ -	WEIGHT -	SCALE 3:1
		CUSTOMER DRAWING		SHEET OF