

PLEASE CHECK WWW.MOLEX.COM FOR LATEST PART INFORMATION

Part Number: [0876935311](#)
Status: **Active**
Description: 1.27mm (.050") Pitch DDR DIMM Socket, Vertical, Press-fit, 2.5V Voltage Keys (Left), 3.32mm (.131") Tail Length, 0.76µm (30µ") Gold (Au) Selective Plating, Clear Latches, 184 Circuits, Tin/Lead

Documents:

[3D Model](#) [Product Specification PS-87693-002 \(PDF\)](#)
[Drawing \(PDF\)](#) [RoHS Certificate of Compliance \(PDF\)](#)

General

Product Family	Memory Module Sockets
Series	87693
Comments	Latches in Clear Color
Component Type	Memory Module
JEDEC Outline	MO-206
Product Name	DDR DIMM

Physical

Circuits (Loaded)	184
Color - Resin	Black, Natural
Durability (mating cycles max)	25
Entry Angle	Vertical (Top Entry)
Keying to Mating Part	Yes
Material - Metal	Phosphor Bronze
Material - Plating Mating	Gold
Material - Plating Termination	Tin-Lead
Material - Resin	High Temperature Thermoplastic, Polysulfone
PC Tail Length (in)	0.131 In
PC Tail Length (mm)	3.32 mm
PCB Retention	None
PCB Thickness Recommended (in)	0.140 In
PCB Thickness Recommended (mm)	3.60 mm
Packaging Type	Tray
Pitch - Mating Interface (in)	0.050 In
Pitch - Mating Interface (mm)	1.27 mm
Plating min: Mating (µin)	30.4
Plating min: Mating (µm)	0.76
Plating min: Termination (µin)	15.2
Plating min: Termination (µm)	0.38
Temperature Range - Operating	-10°C to +85°C
Termination Interface: Style	Through Hole - Compliant Pin

Electrical

Current - Maximum per Contact	1A
Voltage - Maximum	50V
Voltage Key	2.5V, Left

Material Info

Reference - Drawing Numbers

Product Specification	PS-87693-002
Sales Drawing	SD-87693-202

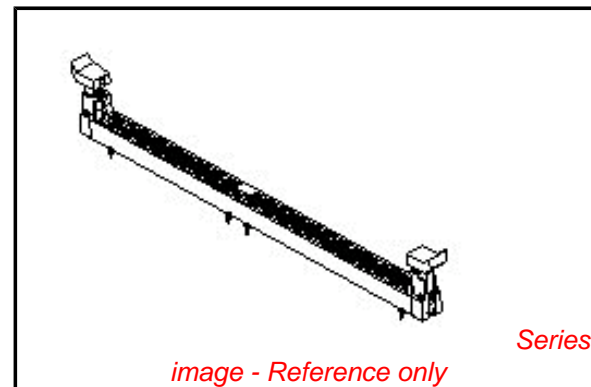


image - Reference only

EU RoHS

RoHS Compliant by Exemption
REACH SVHC
 Not Reviewed
Halogen-Free
Status
Not Reviewed

China RoHS



Need more information on product environmental compliance?

Email productcompliance@molex.com
 For a multiple part number RoHS Certificate of Compliance, [click here](#)

Please visit the [Contact Us](#) section for any non-product compliance questions.

Search Parts in this Series

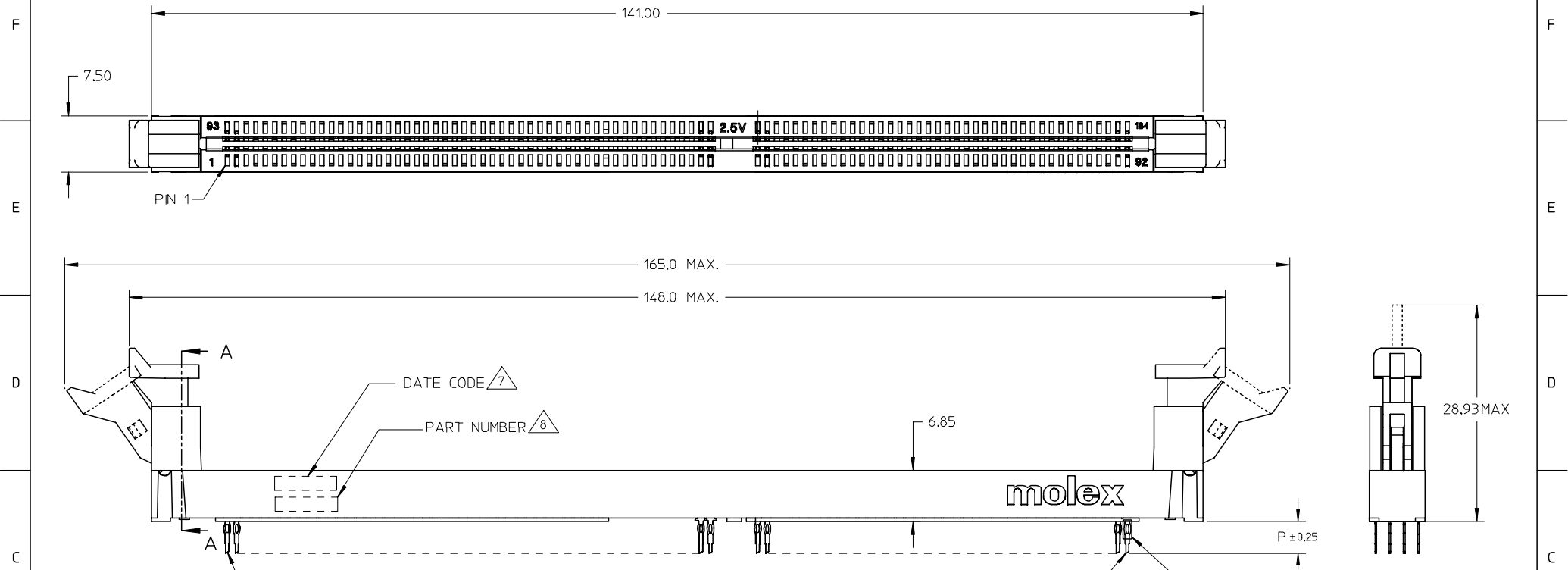
[87693Series](#)

Mates With

JEDEC standard 1.27mm modules

PLEASE CHECK WWW.MOLEX.COM FOR LATEST PART INFORMATION

10 9 8 7 6 5 4 3 2 1

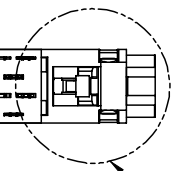
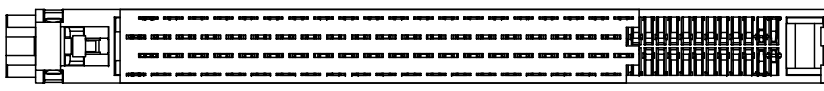


- NOTES:
- CARD SLOT ACCEPTS 1.27±0.10 MODULE THICKNESS. (MEASURED OVER P.C.PADS)
 - RECOMMENDED MODULE LAYOUT SHALL BE PER SHEET 3.
 - RECOMMENDED PLATING ON MODULE PADS: 30u"/0.76uM MINIMUM HARD GOLD OVER 79u"/2uM MINIMUM NICKEL.
 - MATERIAL: HOUSING & LATCH - HIGH TEMP. NYLON, GLASS FILLED, UL 94V-0
HOUSING COLOUR:
NATURAL (OFF WHITE) OR BLACK PER SHEET 5
LATCH COLOR:
CLEAR OR BLACK PER SHEET 5
TERMINAL - COPPER ALLOY
 - FINISHES: CONTACT AREA: SEE TABLE PER SHEET 5
TAIL AREA: 0.38um(15u") TO 1.52um(60u") TIN/LEAD OR TIN OVER 1.27um(50u") MIN. NICKEL
 - PRODUCT IS PACKAGED IN TRAY.
DATE CODE SHALL BE MARKED LEGIBLY AS YYDD.
PART NUMBER SHALL BE MARKED LEGIBLY AS : 87693-XXXX.

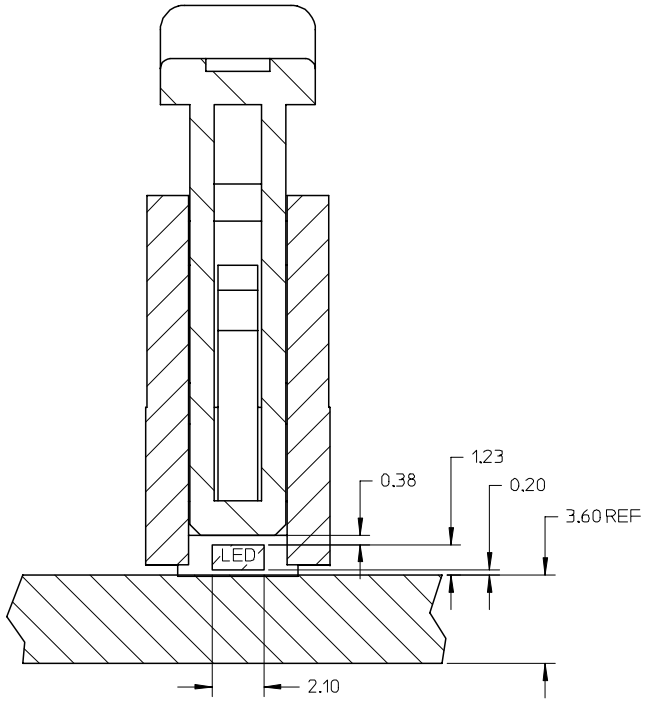
VOID P/N EC NO: S2007-0215 DRWN:SKANG 2006/09/11 CHKD:MLONG 2006/09/13 APPR:SKTOH 2006/09/18	DESCRIPTION	QUALITY SYMBOLS	GENERAL TOLERANCES (UNLESS SPECIFIED)		DIMENSION STYLE MM ONLY		SCALE	DESIGN UNITS	THIRD ANGLE PROJECTION	
		▽=0 ∇=0	mm	INCH	DRAWN BY	DATE	NTS	METRIC	TITLE	
			4 PLACES ± ---	± ---	VSKHOANG	2004/02/10			DDR DIMM, 1.27MM PITCH 184 CKTS, LIGHTPIPE VERTICAL PRESS-FIT	
			3 PLACES ± ---	± ---	CHECKED BY	DATE			MOLEX INCORPORATED	
		2 PLACES ± 0.20	± ---	PTL IM	2004/02/10					
		1 PLACE ± ---	± ---	APPROVED BY	DATE					
		ANGULAR ± 3 °		SKTOH	2004/02/10					
		DRAFT WHERE APPLICABLE MUST REMAIN WITHIN DIMENSIONS		MATERIAL NO.		DOCUMENT NO.		SHEET NO.		
				SEE TABLE		SD-87693-202		1 OF 5		
		THIS DRAWING CONTAINS INFORMATION THAT IS PROPRIETARY TO MOLEX INCORPORATED AND SHOULD NOT BE USED WITHOUT WRITTEN PERMISSION								

9 8 7 6 5 4 3 2 1

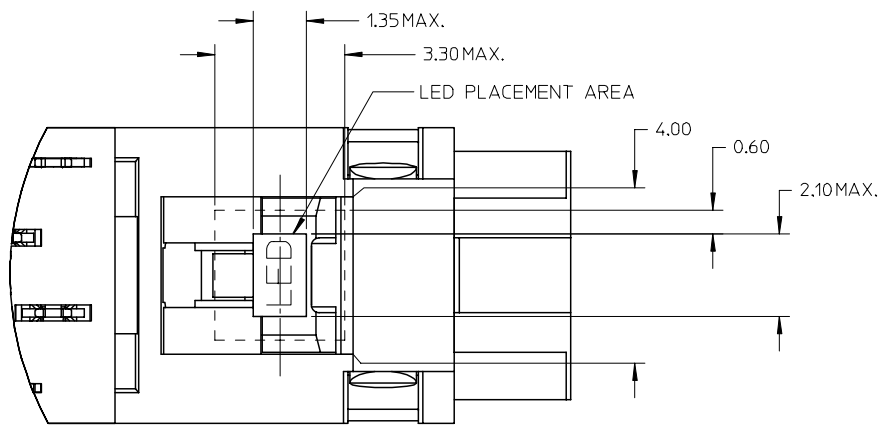
10 9 8 7 6 5 4 3 2 1



Detail2



SECTION A-A



Detail2

VOID P/N EC NO: S2007-0215 DRWN:SKANG CHKD:MLONG APPR:SKTOH	DESCRIPTION 2006/09/11 2006/09/13 2006/09/18	QUALITY SYMBOLS	GENERAL TOLERANCES (UNLESS SPECIFIED)		DIMENSION STYLE MM ONLY		SCALE NTS	DESIGN UNITS METRIC	THIRD ANGLE PROJECTION		
		$\nabla=0$ $\nabla C=0$	4 PLACES	± ---	± ---	DRAWN BY VSKHOANG	DATE 2004/02/10	TITLE	DDR DIMM, 1.27MM PITCH 184 CKTS, LIGHTPIPE VERTICAL PRESS-FIT		
			3 PLACES	± ---	± ---	CHECKED BY PTL IM	DATE 2004/02/10				
			2 PLACES	± 0.20	± ---	APPROVED BY SKTOH	DATE 2004/02/10	MOLEX INCORPORATED	DOCUMENT NO. SD-87693-202	SHEET NO. 2 OF 5	
	1 PLACE	± ---	± ---	DRAFT WHERE APPLICABLE MUST REMAIN WITHIN DIMENSIONS		SEE TABLE					

9 8 7 6 5 4 3 2 1

10 9 8 7 6 5 4 3 2 1

F

F

NOTES:
 1 CARD THICKNESS APPLIES ACROSS THE CONTACTS AND INCLUDES PLATING AND/OR METALIZATION. STRAIGHTNESS CALLOUT APPLIES TO ZONE DEFINED BY THE 4.00 CONTACT AREA DIMENSION FOR THE ENTIRE LENGTH OF 133.35.

E

E

D

D

C

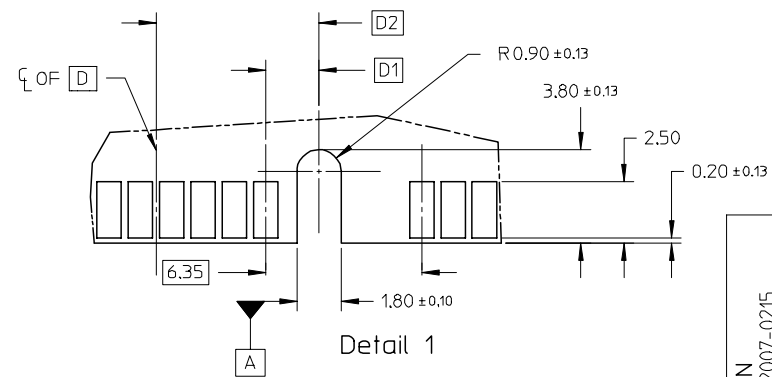
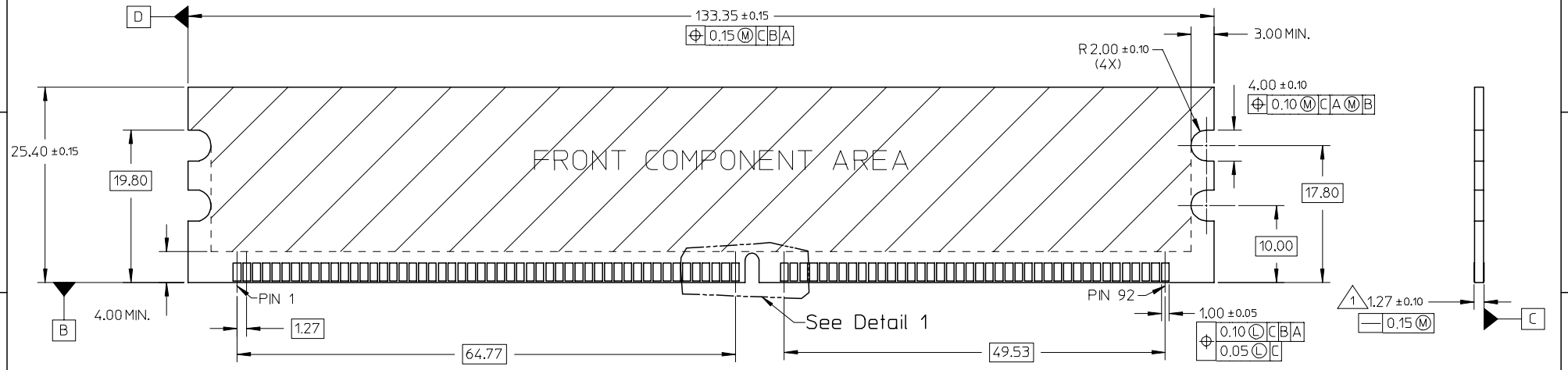
C

B

B

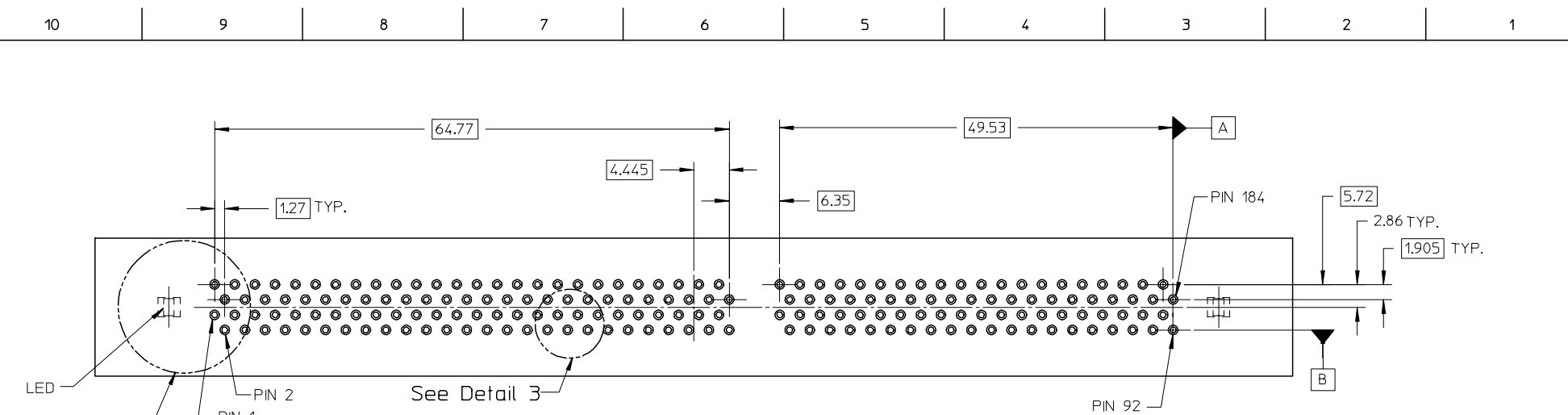
A

A

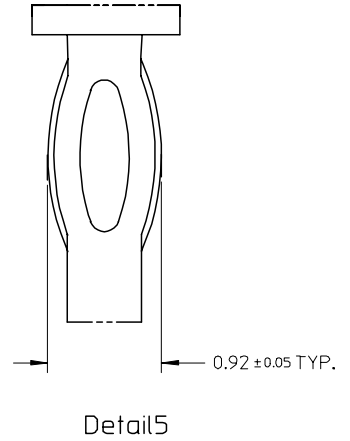
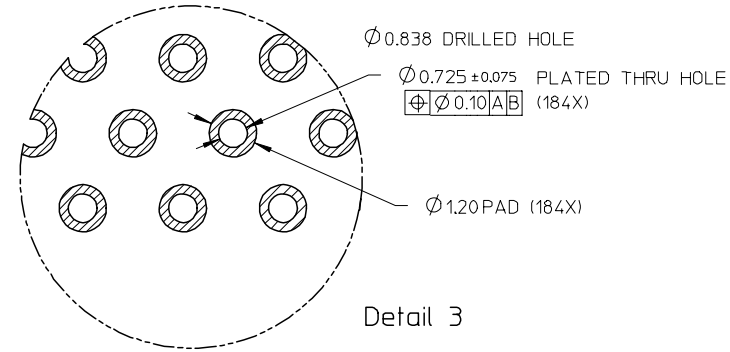
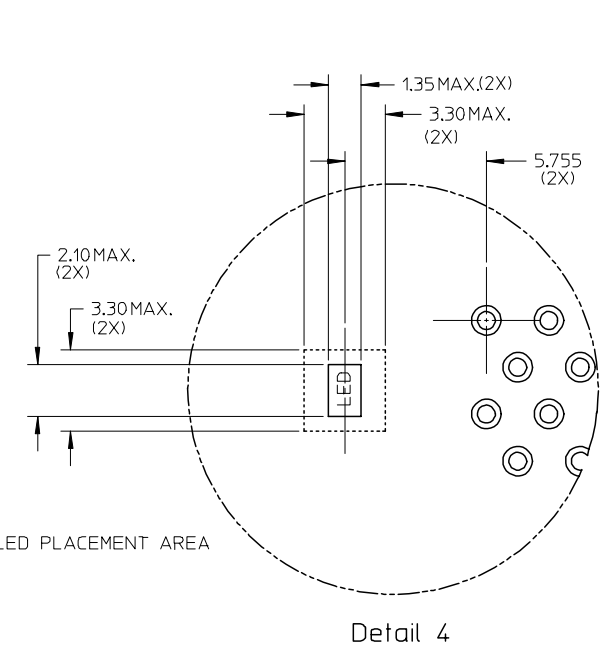


VOID P/N EC NO: S2007-0215 DRWN:SKANG CHKD:MLONG APPR:SKTOH 2006/09/11 2006/09/13 2006/09/18	QUALITY SYMBOLS ▽=0 ▽=0	GENERAL TOLERANCES (UNLESS SPECIFIED) <table border="1"> <thead> <tr> <th></th> <th>mm</th> <th>INCH</th> </tr> </thead> <tbody> <tr> <td>4 PLACES</td> <td>± ---</td> <td>± ---</td> </tr> <tr> <td>3 PLACES</td> <td>± ---</td> <td>± ---</td> </tr> <tr> <td>2 PLACES</td> <td>± 0.20</td> <td>± ---</td> </tr> <tr> <td>1 PLACE</td> <td>± ---</td> <td>± ---</td> </tr> <tr> <td colspan="3">ANGULAR ± 3 °</td> </tr> </tbody> </table>		mm	INCH	4 PLACES	± ---	± ---	3 PLACES	± ---	± ---	2 PLACES	± 0.20	± ---	1 PLACE	± ---	± ---	ANGULAR ± 3 °			DIMENSION STYLE MM ONLY DRAWN BY VSKHOANG DATE 2004/02/10 CHECKED BY PTL IM DATE 2004/02/10 APPROVED BY SKTOH DATE 2004/02/10	SCALE NTS DESIGN UNITS METRIC THIRD ANGLE PROJECTION	TITLE DDR DIMM, 1.27MM PITCH 184 CKTS, LIGHTPIPE VERTICAL PRESS-FIT MOLEX INCORPORATED
		mm	INCH																				
	4 PLACES	± ---	± ---																				
	3 PLACES	± ---	± ---																				
2 PLACES	± 0.20	± ---																					
1 PLACE	± ---	± ---																					
ANGULAR ± 3 °																							
DRAFT WHERE APPLICABLE MUST REMAIN WITHIN DIMENSIONS	MATERIAL NO. SEE TABLE SIZE A3	DOCUMENT NO. SD-87693-202 SHEET NO. 3 OF 5	THIS DRAWING CONTAINS INFORMATION THAT IS PROPRIETARY TO MOLEX INCORPORATED AND SHOULD NOT BE USED WITHOUT WRITTEN PERMISSION																				

9 8 7 6 5 4 3 2 1



RECOMMENDED P.CBOARD HOLE PATTERN
(SEE RECOMMENDED THICKNESS IN TABLE)



VOID P/N EC NO: S2007-0215 DRWN:SKANG CHKD:MLONG APPR:SKTOH	DESCRIPTION 2006/09/11 2006/09/13 2006/09/18	QUALITY SYMBOLS	GENERAL TOLERANCES (UNLESS SPECIFIED)		DIMENSION STYLE	SCALE	DESIGN UNITS	THIRD ANGLE PROJECTION			
		$\nabla = 0$ $\nabla C = 0$	mm	INCH	MM ONLY	NTS	METRIC	TITLE DDR DIMM, 1.27MM PITCH 184 CKTS, LIGHTPIPE VERTICAL PRESS-FIT			
			4 PLACES ± --- ± ---	VSKHOANG	2004/02/10	DRAWN BY	DATE	MOLEX INCORPORATED			
			3 PLACES ± --- ± ---	PTL IM	2004/02/10	CHECKED BY	DATE	DOCUMENT NO. SD-87693-202 SHEET NO. 4 OF 5			
	2 PLACES ± 0.20 ± ---	SKTOH	2004/02/10	APPROVED BY	DATE	SEE TABLE					
	1 PLACE ± --- ± ---	ANGULAR ± 3 °		MATERIAL NO.		THIS DRAWING CONTAINS INFORMATION THAT IS PROPRIETARY TO MOLEX INCORPORATED AND SHOULD NOT BE USED WITHOUT WRITTEN PERMISSION					
		DRAFT WHERE APPLICABLE MUST REMAIN WITHIN DIMENSIONS		SIZE							

	10	9	8	7	6	5	4	3	2	1					
F		PLATING OPTION	PART NUMBER	TAIL LENGTH P±0.25	RECOMMENDED PCB THICKNESS	VOLTAGE KEY	DESCRIPTION	D1	D2	FINISHES CONTACT AREA	HOUSING COLOUR	LATCH			
E		TIN/LEAD	87693-4201	4.30	4.57	2.5 VOLT	LEFT	2.175	6.62	SELECTIVE GOLD 15u"/0.38uM MIN. GOLD OVER 50u"/1.27uM MIN. NICKEL	BLACK	BLACK			
	87693-4301		3.32	3.60											
	87693-4202		4.30	4.57	1.8 VOLT	CENTER	3.175	7.62							
	87693-4302		3.32	3.60											
	87693-4211		4.30	4.57	2.5 VOLT	LEFT	2.175	6.62	SELECTIVE GOLD 30u"/0.76uM MIN. GOLD OVER 50u"/1.27uM MIN. NICKEL	BLACK	CLEAR				
	87693-4311		3.32	3.60											
	87693-4212		4.30	4.57	1.8 VOLT	CENTER	3.175	7.62							
	87693-4312		3.32	3.60											
	87693-5201		4.30	4.57	2.5 VOLT	LEFT	2.175	6.62	SELECTIVE GOLD 15u"/0.38uM MIN. GOLD OVER 50u"/1.27uM MIN. NICKEL	BLACK	CLEAR				
	87693-5301		3.32	3.60											
	87693-5202		4.30	4.57	1.8 VOLT	CENTER	3.175	7.62							
	87693-5302		3.32	3.60											
	87693-5211		4.30	4.57	2.5 VOLT	LEFT	2.175	6.62	SELECTIVE GOLD 30u"/0.76uM MIN. GOLD OVER 50u"/1.27uM MIN. NICKEL	BLACK	CLEAR				
	87693-5311		3.32	3.60											
	87693-5212	4.30	4.57	1.8 VOLT	CENTER	3.175	7.62								
	87693-5312	3.32	3.60												
D		TIN	87693-6311	3.32	3.60	2.5 VOLT	LEFT	2.175	6.62	NATURAL	NATURAL				
			87693-0201	4.30	4.57	2.5 VOLT	LEFT	2.175	6.62	SELECTIVE GOLD 15u"/0.38uM MIN. GOLD OVER 50u"/1.27uM MIN. NICKEL	BLACK	BLACK			
			87693-0301	3.32	3.60										
			87693-0202	4.30	4.57	1.8 VOLT	CENTER	3.175	7.62						
			87693-0302	3.32	3.60										
			87693-0311	3.32	3.60	2.5 VOLT	LEFT	2.175	6.62	SELECTIVE GOLD 30u"/0.76uM MIN. GOLD OVER 50u"/1.27uM MIN. NICKEL	BLACK				
			87693-1201	4.30	4.57	2.5 VOLT	LEFT	2.175	6.62	SELECTIVE GOLD 15u"/0.38uM MIN. GOLD OVER 50u"/1.27uM MIN. NICKEL	BLACK	CLEAR			
			87693-1301	3.32	3.60										
			87693-1202	4.30	4.57	1.8 VOLT	CENTER	3.175	7.62						
			87693-1302	3.32	3.60										
			87693-1211	4.30	4.57	2.5 VOLT	LEFT	2.175	6.62	SELECTIVE GOLD 30u"/0.76uM MIN. GOLD OVER 50u"/1.27uM MIN. NICKEL	BLACK	CLEAR			
			87693-1311	3.32	3.60										
			87693-2311	3.32	3.60	2.5 VOLT	LEFT	2.175	6.62				NATURAL	NATURAL	

A	VOID P/N EC NO: S2007-0215 DRWNS:KANG CHKD:M.LONG APPR:SKTOH	2006/09/11 2006/09/13 2006/09/18	REV	DESCRIPTION	QUALITY SYMBOLS ▽=0 ◇=0	GENERAL TOLERANCES (UNLESS SPECIFIED)		DIMENSION STYLE MM ONLY		SCALE	DESIGN UNITS	THIRD ANGLE PROJECTION					
										NTS	METRIC						
										DRAWN BY VSKHOANG		DATE 2004/02/10		TITLE DDR DIMM, 1.27MM PITCH 184 CKTS, LIGHTPIPE VERTICAL PRESS-FIT			
										CHECKED BY PTL IM		DATE 2004/02/10		MOLEX INCORPORATED			
				APPROVED BY SKTOH		DATE 2004/02/10		DOCUMENT NO. SD-87693-202									
				MATERIAL NO.		SEE TABLE		SHEET NO. 5 OF 5									
DRAFT WHERE APPLICABLE MUST REMAIN WITHIN DIMENSIONS						SIZE A3		THIS DRAWING CONTAINS INFORMATION THAT IS PROPRIETARY TO MOLEX INCORPORATED AND SHOULD NOT BE USED WITHOUT WRITTEN PERMISSION									