

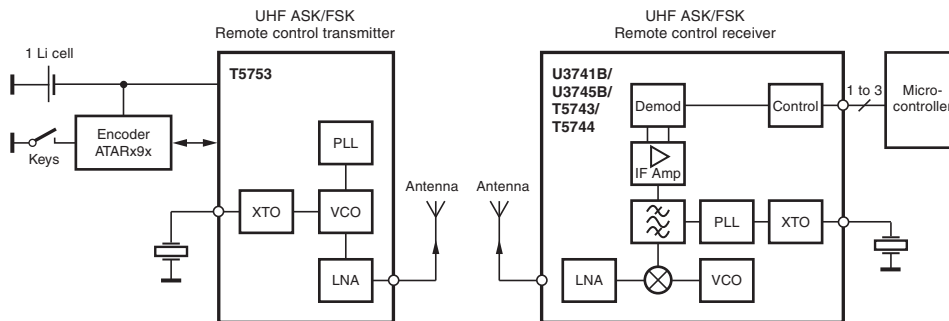
## Features

- Integrated PLL Loop Filter
- ESD Protection also at ANT1/ANT2  
(4 kV HBM/200 V MM; Except Pin 2: 4 kV HBM/100 V MM)
- High Output Power (8.0 dBm) with Low Supply Current (9.0 mA)
- Modulation Scheme ASK/FSK
  - FSK Modulation is Achieved by Connecting an Additional Capacitor Between the XTAL Load Capacitor and the Open Drain Output of the Modulating Microcontroller
- Easy to Design-in Due to Excellent Isolation of the PLL from the PA and Power Supply
- Single Li-cell for Power Supply
- Supply Voltage 2.0V to 4.0V in the Temperature Range of  $-40^{\circ}\text{C}$  to  $+85^{\circ}\text{C}/125^{\circ}\text{C}$
- Package TSSOP8L
- Single-ended Antenna Output with High Efficient Power Amplifier
- CLK Output for Clocking the Microcontroller
- One-chip Solution with Minimum External Circuitry
- $125^{\circ}\text{C}$  Operation for Tire Pressure Systems

## 1. Description

The T5753 is a PLL transmitter IC which has been developed for the demands of RF low-cost transmission systems at data rates up to 32 kBaud. The transmitting frequency range is 310 MHz to 350 MHz. It can be used in both FSK and ASK systems.

Figure 1-1. System Block Diagram



## UHF ASK/FSK Transmitter

## T5753

## 2. Pin Configuration

Figure 2-1. Pinning TSSOP8L

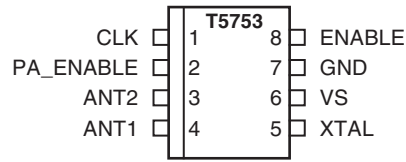


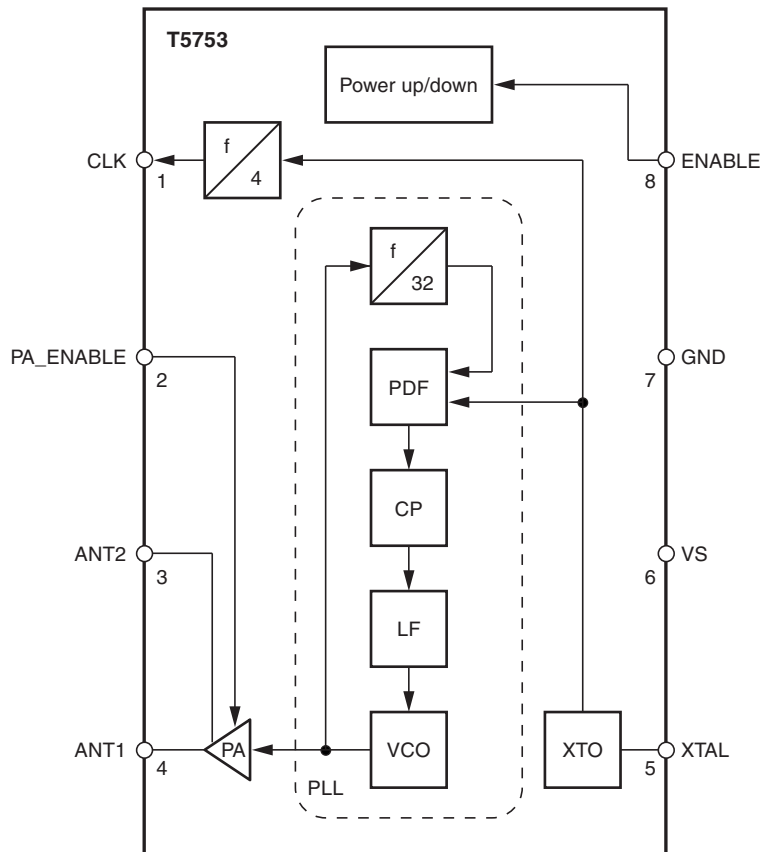
Table 2-1. Pin Description

| Pin | Symbol    | Function  | Configuration |
|-----|-----------|---|---------------|
| 1   | CLK       | Clock output signal for microcontroller<br>The clock output frequency is set by the crystal to $f_{XTAL}/4$ |               |
| 2   | PA_ENABLE | Switches on power amplifier, used for ASK modulation  |               |
| 3   | ANT2      | Emitter of antenna output stage   |               |
| 4   | ANT1      | Open collector antenna output   |               |

Table 2-1. Pin Description (Continued)

| Pin | Symbol | Function               | Configuration  |
|-----|--------|------------------------|--|
| 5   | XTAL   | Connection for crystal |  |
| 6   | VS     | Supply voltage         | See ESD protection circuitry (see <a href="#">Figure 4-5 on page 9</a> ) |
| 7   | GND    | Ground                 | See ESD protection circuitry (see <a href="#">Figure 4-5 on page 9</a> ) |
| 8   | ENABLE | Enable input           |  |

Figure 2-2. Block Diagram



### 3. General Description

This fully integrated PLL transmitter allows particularly simple, low-cost RF miniature transmitters to be assembled. The VCO is locked to  $32 f_{XTAL}$  hence a 9.8438 MHz crystal is needed for a 315 MHz transmitter. All other PLL and VCO peripheral elements are integrated.

The XTO is a series resonance oscillator so that only one capacitor together with a crystal connected in series to GND are needed as external elements.

The crystal oscillator together with the PLL needs typically  $< 3$  ms until the PLL is locked and the CLK output is stable. There is a wait time of  $\geq 3$  ms until the CLK is used for the microcontroller and the PA is switched on.

The power amplifier is an open-collector output delivering a current pulse which is nearly independent from the load impedance. The delivered output power is hence controllable via the connected load impedance.

This output configuration enables a simple matching to any kind of antenna or to  $50 \Omega$ . A high power efficiency of  $\eta = P_{out}/(I_{S,PA} V_S)$  of 40% for the power amplifier results when an optimized load impedance of  $Z_{Load} = (255 + j192) \Omega$  is used at 3 V supply voltage.

### 4. Functional Description

If  $ENABLE = L$  and the  $PA\_ENABLE = L$ , the circuit is in standby mode consuming only a very small amount of current so that a lithium cell used as power supply can work for several years.

With  $ENABLE = H$  the XTO, PLL and the CLK driver are switched on. If  $PA\_ENABLE$  remains L only the PLL and the XTO is running and the CLK signal is delivered to the microcontroller. The VCO locks to 32 times the XTO frequency.

With  $ENABLE = H$  and  $PA\_ENABLE = H$  the PLL, XTO, CLK driver and the power amplifier are on. With  $PA\_ENABLE$  the power amplifier can be switched on and off, which is used to perform the ASK modulation.

#### 4.1 ASK Transmission

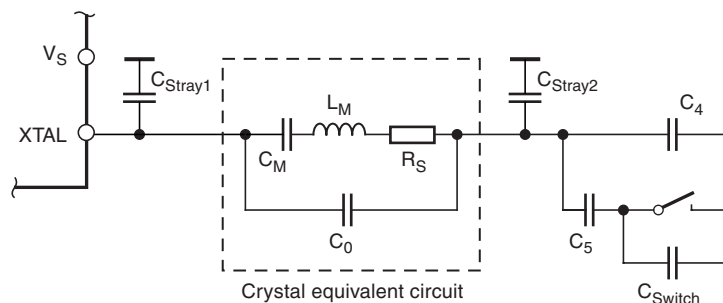
The T5753 is activated by  $ENABLE = H$ .  $PA\_ENABLE$  must remain L for typically  $\geq 3$  ms, then the CLK signal can be taken to clock the microcontroller and the output power can be modulated by means of Pin  $PA\_ENABLE$ . After transmission  $PA\_ENABLE$  is switched to L and the microcontroller switches back to internal clocking. The T5753 is switched back to standby mode with  $ENABLE = L$ .

#### 4.2 FSK Transmission

The T5753 is activated by  $ENABLE = H$ .  $PA\_ENABLE$  must remain L for typically  $\geq 3$  ms, then the CLK signal can be taken to clock the microcontroller and the power amplifier is switched on with  $PA\_ENABLE = H$ . The chip is then ready for FSK modulation. The microcontroller starts to switch on and off the capacitor between the XTAL load capacitor and GND with an open-drain output port, thus changing the reference frequency of the PLL. If the switch is closed, the output frequency is lower than if the switch is open. After transmission  $PA\_ENABLE$  is switched to L and the microcontroller switches back to internal clocking. The T5753 is switched back to standby mode with  $ENABLE = L$ .

The accuracy of the frequency deviation with XTAL pulling method is about  $\pm 25\%$  when the following tolerances are considered.

Figure 4-1. Tolerances of Frequency Modulation



Using  $C_4 = 8.2 \text{ pF} \pm 5\%$ ,  $C_5 = 10 \text{ pF} \pm 5\%$ , a switch port with  $C_{Switch} = 3 \text{ pF} \pm 10\%$ , stray capacitances on each side of the crystal of  $C_{Stray1} = C_{Stray2} = 1 \text{ pF} \pm 10\%$ , a parallel capacitance of the crystal of  $C_0 = 3.2 \text{ pF} \pm 10\%$  and a crystal with  $C_M = 13 \text{ fF} \pm 10\%$ , an FSK deviation of  $\pm 21.5 \text{ kHz}$  typical with worst case tolerances of  $\pm 16.25 \text{ kHz}$  to  $\pm 28.01 \text{ kHz}$  results.

### 4.3 CLK Output

An output CLK signal is provided for a connected microcontroller, the delivered signal is CMOS compatible if the load capacitance is lower than  $10 \text{ pF}$ .

#### 4.3.1 Clock Pulse Take-over

The clock of the crystal oscillator can be used for clocking the microcontroller. Atmel®'s ATARx9x has the special feature of starting with an integrated RC-oscillator to switch on the T5753 with  $ENABLE = H$ , and after  $1 \text{ ms}$  to assume the clock signal of the transmission IC, so that the message can be sent with crystal accuracy.

#### 4.3.2 Output Matching and Power Setting

The output power is set by the load impedance of the antenna. The maximum output power is achieved with a load impedance of  $Z_{Load,opt} = (255 + j192)\Omega$ . There must be a low resistive path to  $V_S$  to deliver the DC current.

The delivered current pulse of the power amplifier is  $9 \text{ mA}$  and the maximum output power is delivered to a resistive load of  $400\Omega$  if the  $1.0 \text{ pF}$  output capacitance of the power amplifier is compensated by the load impedance.

An optimum load impedance of:

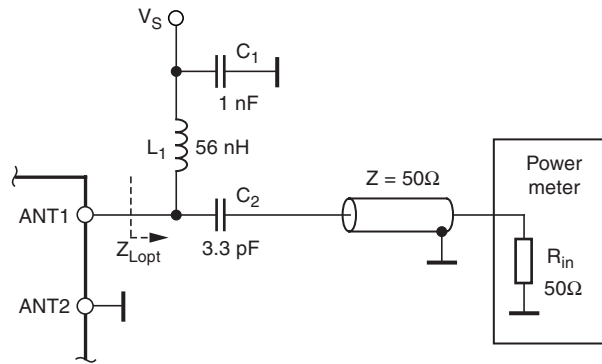
$Z_{Load} = 400\Omega \parallel j/(2 \times \pi \cdot 1.0 \text{ pF}) = (255 + j192)\Omega$  thus results for the maximum output power of  $8 \text{ dBm}$ .

The load impedance is defined as the impedance seen from the T5753's ANT1, ANT2 into the matching network. Do not confuse this large signal load impedance with a small signal input impedance delivered as input characteristic of RF amplifiers and measured from the application into the IC instead of from the IC into the application for a power amplifier.

Less output power is achieved by lowering the real parallel part of  $400\Omega$  where the parallel imaginary part should be kept constant.

Output power measurement can be done with the circuit of Figure 4-2. Note that the component values must be changed to compensate the individual board parasitics until the T5753 has the right load impedance  $Z_{Load,opt} = (255 + j192)\Omega$ . Also the damping of the cable used to measure the output power must be calibrated out.

**Figure 4-2.** Output Power Measurement at  $f = 315 \text{ MHz}$



Note: For 345 MHz  $C_2$  has to be changed to 2.7 pF

#### 4.4 Application Circuit

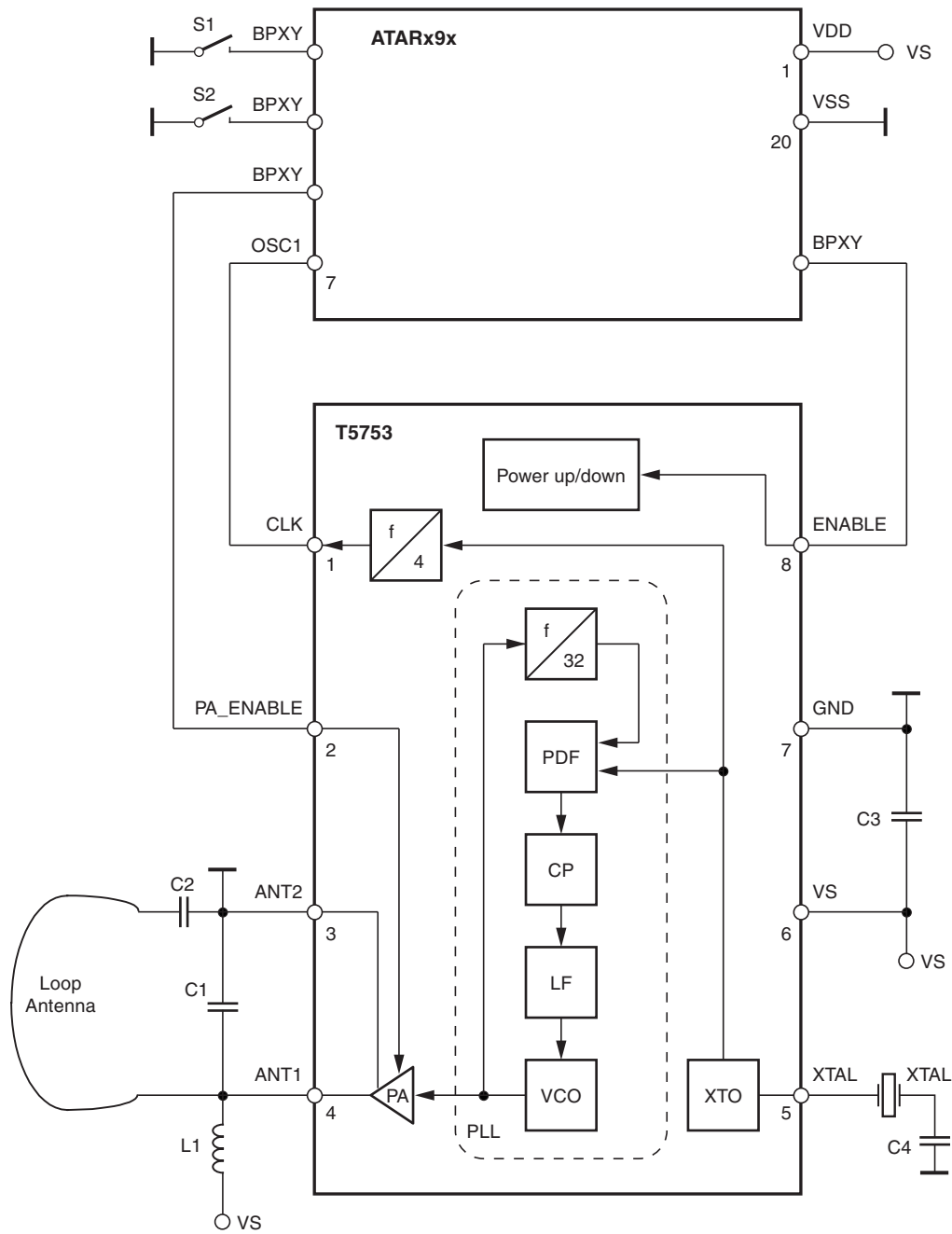
For the blocking of the supply voltage a capacitor value of  $C_3 = 68 \text{ nF}/X7R$  is recommended (see [Figure 4-3 on page 7](#) and [Figure 4-4 on page 8](#)).  $C_1$  and  $C_2$  are used to match the loop antenna to the power amplifier where  $C_1$  typically is 22 pF/NP0 and  $C_2$  is 10.8 pF/NP0 (18 pF + 27 pF in series); for  $C_2$  two capacitors in series should be used to achieve a better tolerance value and to have the possibility to realize the  $Z_{Load,opt}$  by using standard valued capacitors.

$C_1$  forms together with the pins of T5753 and the PCB board wires a series resonance loop that suppresses the 1<sup>st</sup> harmonic, hence the position of  $C_1$  on the PCB is important. Normally the best suppression is achieved when  $C_1$  is placed as close as possible to the pins ANT1 and ANT2.

The loop antenna should not exceed a width of 1.5 mm, otherwise the Q-factor of the loop antenna is too high.

$L_1$  ([50 nH to 100 nH) can be printed on PCB.  $C_4$  should be selected that the XTO runs on the load resonance frequency of the crystal. Normally, a value of 12 pF results for a 15 pF load-capacitance crystal.

Figure 4-3. ASK Application Circuit



**Figure 4-4.** FSK Application Circuit

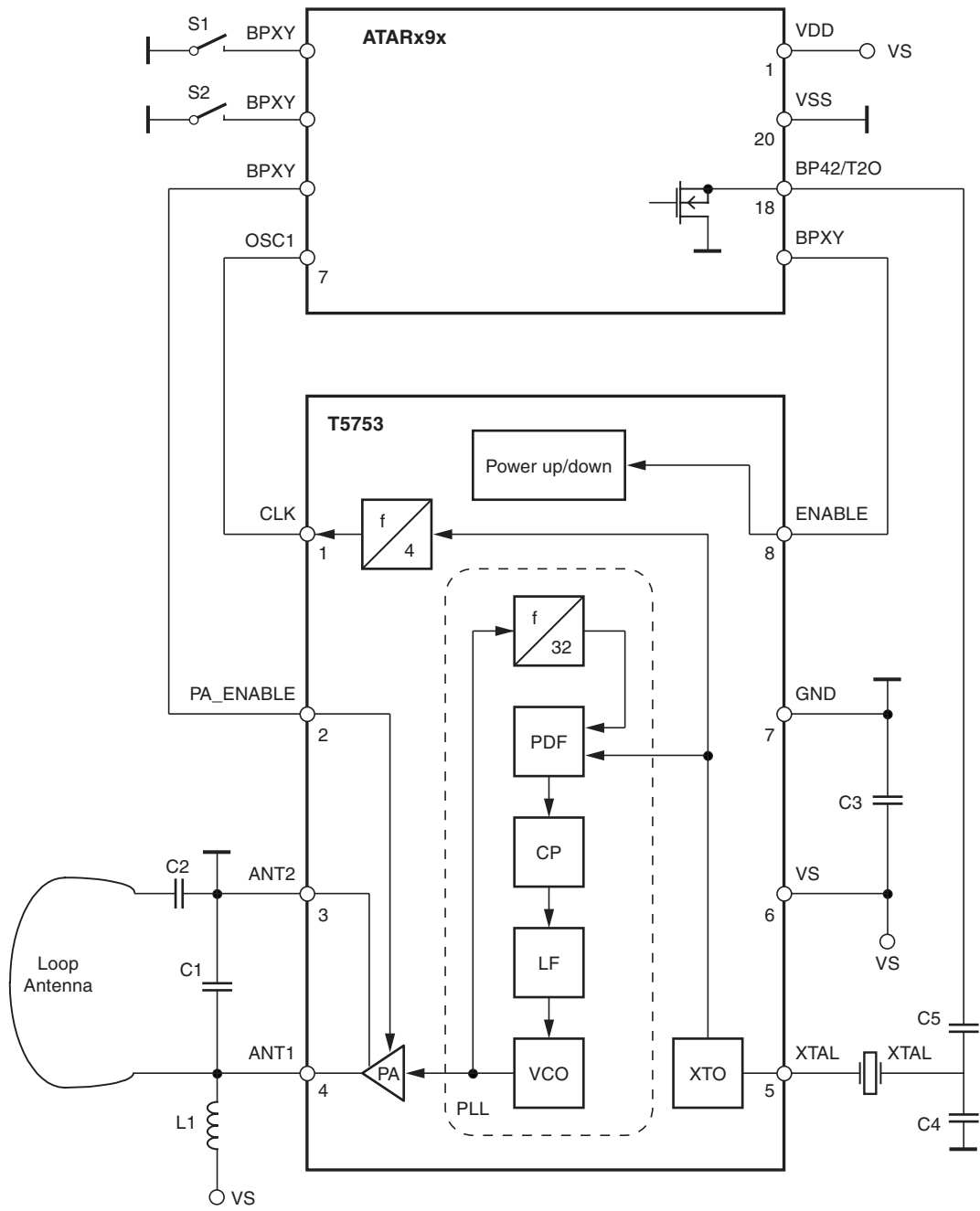
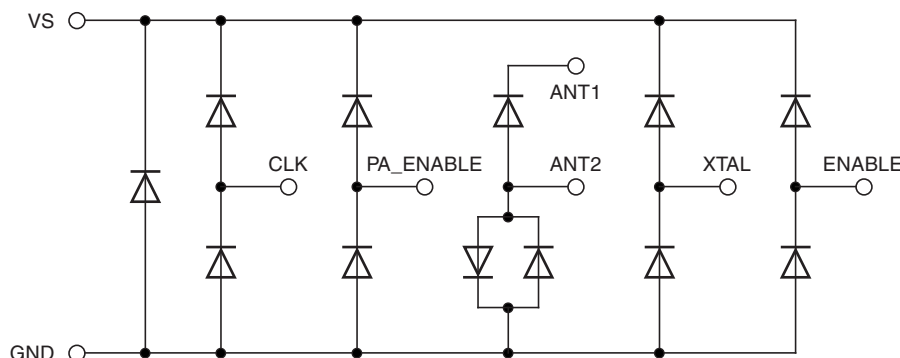




Figure 4-5. ESD Protection Circuit



## 5. Absolute Maximum Ratings

Stresses beyond those listed under “Absolute Maximum Ratings” may cause permanent damage to the device. This is a stress rating only and functional operation of the device at these or any other conditions beyond those indicated in the operational sections of this specification is not implied. Exposure to absolute maximum rating conditions for extended periods may affect device reliability.

| Parameters           | Symbol              | Minimum | Maximum             | Unit |
|----------------------|---------------------|---------|---------------------|------|
| Supply voltage       | $V_S$               |         | 5                   | V    |
| Power dissipation    | $P_{tot}$           |         | 100                 | mW   |
| Junction temperature | $T_j$               |         | 150                 | °C   |
| Storage temperature  | $T_{stg}$           | -55     | 125                 | °C   |
| Ambient temperature  | $T_{amb}$           | -55     | 125                 | °C   |
| Input voltage        | $V_{maxPA\_ENABLE}$ | -0.3    | $(V_S + 0.3)^{(1)}$ | V    |

Note: 1. If  $V_S + 0.3$  is higher than 3.7V, the maximum voltage will be reduced to 3.7V.

## 6. Thermal Resistance

| Parameters       | Symbol     | Value | Unit |
|------------------|------------|-------|------|
| Junction ambient | $R_{thJA}$ | 170   | K/W  |

## 7. Electrical Characteristics

$V_S = 2.0V$  to  $4.0V$ ,  $T_{amb} = -40^\circ C$  to  $125^\circ C$  unless otherwise specified.

Typical values are given at  $V_S = 3.0V$  and  $T_{amb} = 25^\circ C$ . All parameters are referred to GND (pin 7).

| Parameters     | Test Conditions  | Symbol            | Min. | Typ. | Max.     | Unit                |
|----------------|--|-------------------|------|------|----------|---------------------|
| Supply current | Power down,<br>$V_{ENABLE} < 0.25 V$ , $-40^\circ C$ to $85^\circ C$<br>$V_{PA-ENABLE} < 0.25 V$ , $-40^\circ C$ to $+125^\circ C$<br>$V_{PA-ENABLE} < 0.25 V$ , $25^\circ C$<br>(100% correlation tested) | $I_{S\_Off}$      |      | < 10 | 350<br>7 | nA<br>$\mu A$<br>nA |
| Supply current | Power up, PA off, $V_S = 3 V$ ,<br>$V_{ENABLE} > 1.7 V$ , $V_{PA-ENABLE} < 0.25 V$   | $I_S$             |      | 3.7  | 4.8      | mA                  |
| Supply current | Power up, $V_S = 3.0 V$ ,<br>$V_{ENABLE} > 1.7 V$ , $V_{PA-ENABLE} > 1.7 V$  | $I_{S\_Transmit}$ |      | 9    | 11.6     | mA                  |
| Output power   | $V_S = 3.0V$ , $T_{amb} = 25^\circ C$ ,<br>$f = 315 MHz$ , $Z_{Load} = (255 + j192)W$  | $P_{Ref}$         | 6.0  | 8.0  | 10.5     | dBm                 |

Note: 1. If  $V_S$  is higher than 3.6V, the maximum voltage will be reduced to 3.6V.

## 7. Electrical Characteristics (Continued)

$V_S = 2.0V$  to  $4.0V$ ,  $T_{amb} = -40^\circ C$  to  $125^\circ C$  unless otherwise specified.

Typical values are given at  $V_S = 3.0V$  and  $T_{amb} = 25^\circ C$ . All parameters are referred to GND (pin 7).

| Parameters   | Test Conditions  | Symbol                               | Min.             | Typ.        | Max.                     | Unit              |
|--|--|--------------------------------------|------------------|-------------|--------------------------|-------------------|
| Output power variation for the full temperature range      | $T_{amb} = -40^\circ C$ to $+85^\circ C$ ,<br>$V_S = 3.0V$<br>$V_S = 2.0V$   | $\Delta P_{Ref}$<br>$\Delta P_{Ref}$ |                  |             | -1.5<br>-4.0             | dB<br>dB          |
| Output power variation for the full temperature range      | $T_{amb} = -40^\circ C$ to $+125^\circ C$ ,<br>$V_S = 3.0V$<br>$V_S = 2.0V$ ,<br>$P_{Out} = P_{Ref} + \Delta P_{Ref}$  | $\Delta P_{Ref}$<br>$\Delta P_{Ref}$ |                  |             | -2.0<br>-4.5             | dB<br>dB          |
| Achievable output-power range                              | Selectable by load impedance   | $P_{Out\_typ}$                       | 0                |             | 8.0                      | dBm               |
| Spurious emission  | $f_{CLK} = f_o/128$<br>Load capacitance at pin CLK = 10 pF<br>$f_o \pm 1 \times f_{CLK}$<br>$f_o \pm 4 \times f_{CLK}$<br>other spurious are lower   |                                      |                  | -55<br>-52  |                          | dBc<br>dBc        |
| Oscillator frequency XTO<br>(= phase comparator frequency) | $f_{XTO} = f_o/32$<br>$f_{XTAL}$ = resonant frequency of the XTAL,<br>$C_M \leq 10$ fF, load capacitance selected accordingly<br>$T_{amb} = -40^\circ C$ to $+85^\circ C$ ,<br>$T_{amb} = -40^\circ C$ to $+125^\circ C$ | $f_{XTO}$                            | -30<br>-40       | $f_{XTAL}$  | +30<br>+40               | ppm<br>ppm        |
| PLL loop bandwidth   |  |                                      |                  | 250         |                          | kHz               |
| Phase noise of phase comparator                            | Referred to $f_{PC} = f_{XTO}$ ,<br>25 kHz distance to carrier   |                                      |                  | -116        | -110                     | dBc/Hz            |
| In loop phase noise PLL                                    | 25 kHz distance to carrier   |                                      |                  | -86         | -80                      | dBc/Hz            |
| Phase noise VCO  | at 1 MHz<br>at 36 MHz  |                                      |                  | -94<br>-125 | -90<br>-121              | dBc/Hz<br>dBc/Hz  |
| Frequency range of VCO                                     |  | $f_{VCO}$                            | 310              |             | 350                      | MHz               |
| Clock output frequency (CMOS microcontroller compatible)   |  |                                      |                  | $f_o/128$   |                          | MHz               |
| Voltage swing at pin CLK                                   | $C_{Load} \leq 10$ pF  | $V_{Oh}$<br>$V_{Ol}$                 | $V_S \times 0.8$ |             | $V_S \times 0.2$         | V<br>V            |
| Series resonance R of the crystal                          |  | $R_s$                                |                  |             | 110                      | $\Omega$          |
| Capacitive load at pin XTO                                 |  |                                      |                  |             | 7                        | pF                |
| FSK modulation frequency rate                              | Duty cycle of the modulation signal = 50%  |                                      | 0                |             | 32                       | kHz               |
| ASK modulation frequency rate                              | Duty cycle of the modulation signal = 50%  |                                      | 0                |             | 32                       | kHz               |
| ENABLE input   | Low level input voltage<br>High level input voltage<br>Input current high  | $V_{ll}$<br>$V_{lh}$<br>$I_{in}$     | 1.7              |             | 0.25<br>20               | V<br>V<br>$\mu A$ |
| PA_ENABLE input  | Low level input voltage<br>High level input voltage<br>Input current high  | $V_{ll}$<br>$V_{lh}$<br>$I_{in}$     | 1.7              |             | 0.25<br>$V_S^{(1)}$<br>5 | V<br>V<br>$\mu A$ |

Note: 1. If  $V_S$  is higher than 3.6V, the maximum voltage will be reduced to 3.6V.

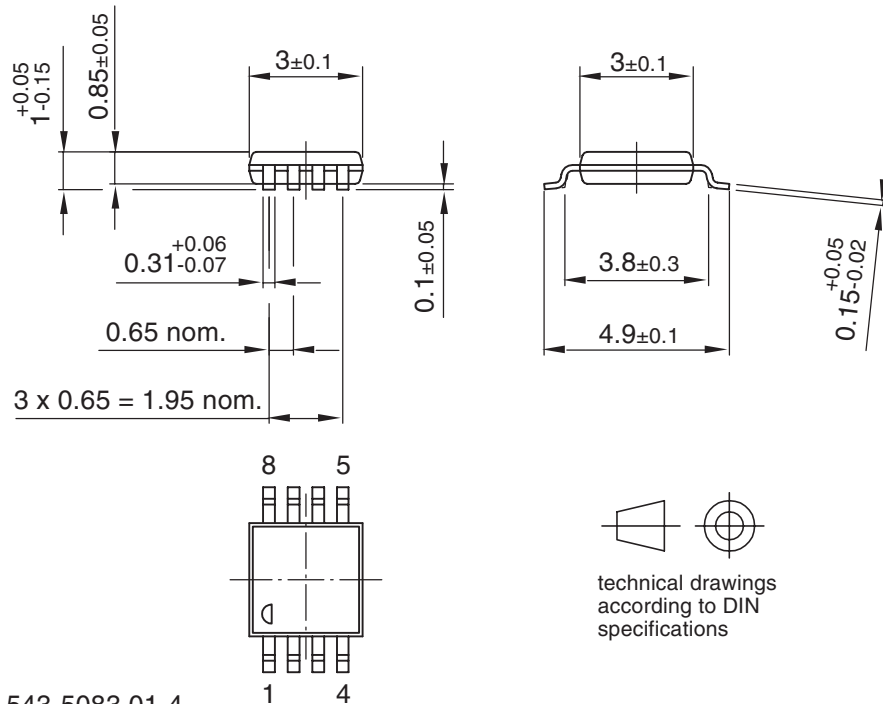
### 8. Ordering Information

| Extended Type Number | Package | Remarks  |
|----------------------|---------|--|
| T5753-6AQJ           | TSSOP8L | Taped and reeled, Marking: T573, Pb-free             |
| T5753-6APJ           | TSSOP8L | Taped and reeled, Marking: T573, small reel, Pb-free |

Note: 1. J = -40°C to +125°C + lead-free

### 9. Package Information

Package: TSSOP 8L  
 Dimensions in mm



Drawing-No.: 6.543-5083.01-4

Issue: 2; 15.03.04

## 10. Revision History

Please note that the following page numbers referred to in this section refer to the specific revision mentioned, not to this document.

| Revision No.    | History   |
|-----------------|---|
| 4510I-RKE-02/07 | <ul style="list-style-type: none"> <li>• Put datasheet in a new template</li> <li>• Pb-free Logo on page 1 deleted</li> </ul>   |
| 4510H-RKE-09/05 | <ul style="list-style-type: none"> <li>• Pb-free Logo on page 1 added</li> </ul>  |
| 4510G-RKE-02/05 | <ul style="list-style-type: none"> <li>• Put datasheet in a new template</li> <li>• Section 1 “Description” on page 1 changed</li> <li>• Figure title Figure 4-2 on page 6 changed</li> <li>• Table “Electrical Characteristics” on pages 9 to 10 changed</li> <li>• Table “Ordering Information” on page 11 changed</li> </ul>   |
| 4510F-RKE-02/05 | <ul style="list-style-type: none"> <li>• Table “Absolute Maximum Ratings” (page 8): row “Input voltage” added</li> <li>• Table “Absolute Maximum Ratings” (page 8): table note 1 added</li> <li>• Table “Electrical Characteristics” (page 10): row “PA_ENABLE input“ changed</li> <li>• Table “Electrical Characteristics” (page 10): table note 1 added</li> <li>• Table “Ordering Information” (page 11): Remarks changed</li> </ul> |



## Atmel Corporation

2325 Orchard Parkway  
San Jose, CA 95131, USA  
Tel: 1(408) 441-0311  
Fax: 1(408) 487-2600

## Regional Headquarters

### Europe

Atmel Sarl  
Route des Arsenaux 41  
Case Postale 80  
CH-1705 Fribourg  
Switzerland  
Tel: (41) 26-426-5555  
Fax: (41) 26-426-5500

### Asia

Room 1219  
Chinachem Golden Plaza  
77 Mody Road Tsimshatsui  
East Kowloon  
Hong Kong  
Tel: (852) 2721-9778  
Fax: (852) 2722-1369

### Japan

9F, Tonetsu Shinkawa Bldg.  
1-24-8 Shinkawa  
Chuo-ku, Tokyo 104-0033  
Japan  
Tel: (81) 3-3523-3551  
Fax: (81) 3-3523-7581

## Atmel Operations

### Memory

2325 Orchard Parkway  
San Jose, CA 95131, USA  
Tel: 1(408) 441-0311  
Fax: 1(408) 436-4314

### Microcontrollers

2325 Orchard Parkway  
San Jose, CA 95131, USA  
Tel: 1(408) 441-0311  
Fax: 1(408) 436-4314

La Chantrerie  
BP 70602  
44306 Nantes Cedex 3, France  
Tel: (33) 2-40-18-18-18  
Fax: (33) 2-40-18-19-60

### ASIC/ASSP/Smart Cards

Zone Industrielle  
13106 Rousset Cedex, France  
Tel: (33) 4-42-53-60-00  
Fax: (33) 4-42-53-60-01

1150 East Cheyenne Mtn. Blvd.  
Colorado Springs, CO 80906, USA  
Tel: 1(719) 576-3300  
Fax: 1(719) 540-1759

Scottish Enterprise Technology Park  
Maxwell Building  
East Kilbride G75 0QR, Scotland  
Tel: (44) 1355-803-000  
Fax: (44) 1355-242-743

### RF/Automotive

Theresienstrasse 2  
Postfach 3535  
74025 Heilbronn, Germany  
Tel: (49) 71-31-67-0  
Fax: (49) 71-31-67-2340

1150 East Cheyenne Mtn. Blvd.  
Colorado Springs, CO 80906, USA  
Tel: 1(719) 576-3300  
Fax: 1(719) 540-1759

### Biometrics

Avenue de Rochepleine  
BP 123  
38521 Saint-Egreve Cedex, France  
Tel: (33) 4-76-58-47-50  
Fax: (33) 4-76-58-47-60

---

## Literature Requests

[www.atmel.com/literature](http://www.atmel.com/literature)

**Disclaimer:** The information in this document is provided in connection with Atmel products. No license, express or implied, by estoppel or otherwise, to any intellectual property right is granted by this document or in connection with the sale of Atmel products. **EXCEPT AS SET FORTH IN ATMEL'S TERMS AND CONDITIONS OF SALE LOCATED ON ATMEL'S WEB SITE, ATMEL ASSUMES NO LIABILITY WHATSOEVER AND DISCLAIMS ANY EXPRESS, IMPLIED OR STATUTORY WARRANTY RELATING TO ITS PRODUCTS INCLUDING, BUT NOT LIMITED TO, THE IMPLIED WARRANTY OF MERCHANTABILITY, FITNESS FOR A PARTICULAR PURPOSE, OR NON-INFRINGEMENT. IN NO EVENT SHALL ATMEL BE LIABLE FOR ANY DIRECT, INDIRECT, CONSEQUENTIAL, PUNITIVE, SPECIAL OR INCIDENTAL DAMAGES (INCLUDING, WITHOUT LIMITATION, DAMAGES FOR LOSS OF PROFITS, BUSINESS INTERRUPTION, OR LOSS OF INFORMATION) ARISING OUT OF THE USE OR INABILITY TO USE THIS DOCUMENT, EVEN IF ATMEL HAS BEEN ADVISED OF THE POSSIBILITY OF SUCH DAMAGES.** Atmel makes no representations or warranties with respect to the accuracy or completeness of the contents of this document and reserves the right to make changes to specifications and product descriptions at any time without notice. Atmel does not make any commitment to update the information contained herein. Unless specifically provided otherwise, Atmel products are not suitable for, and shall not be used in, automotive applications. Atmel's products are not intended, authorized, or warranted for use as components in applications intended to support or sustain life.

© 2007 Atmel Corporation. All rights reserved. Atmel®, logo and combinations thereof, Everywhere You Are® and others are registered trademarks or trademarks of Atmel Corporation or its subsidiaries. Other terms and product names may be trademarks of others.