

Choke Coils

Japan
Singapore

Series: **High power**

Type: **06D, 08D, 10D, 16B, 18B**
10E, 12E, 15E, 18E

High power inductors featuring small size and high performance

Type 06D Type 08D Type 10D

Industrial Property: Utility model 1 (pending)

■ Features

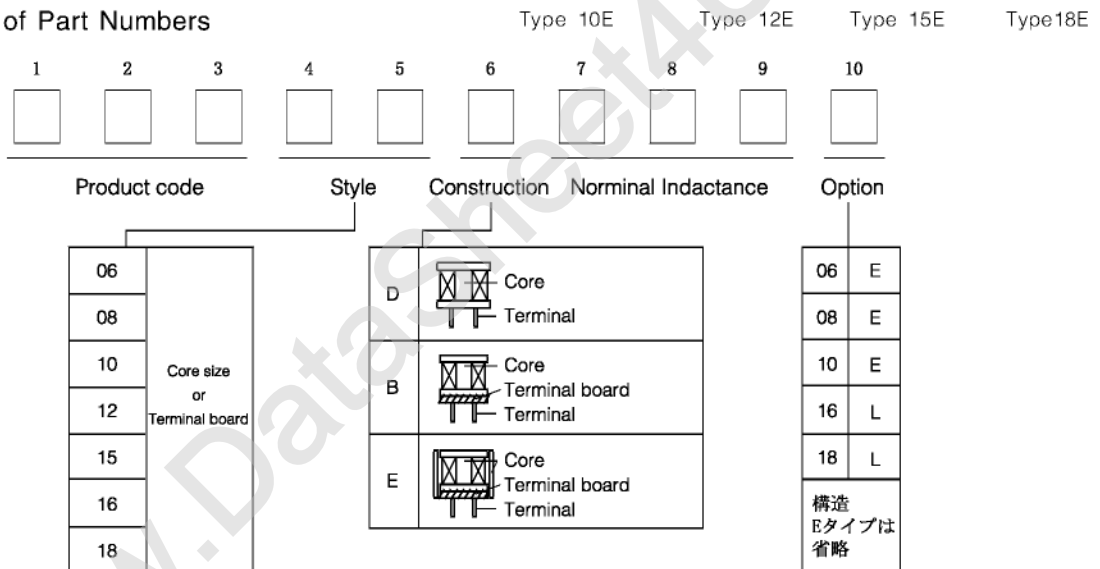
- Adoption of High- μ and High B_m ferrite cores
- Wide inductor range

Type 16B Type 18B

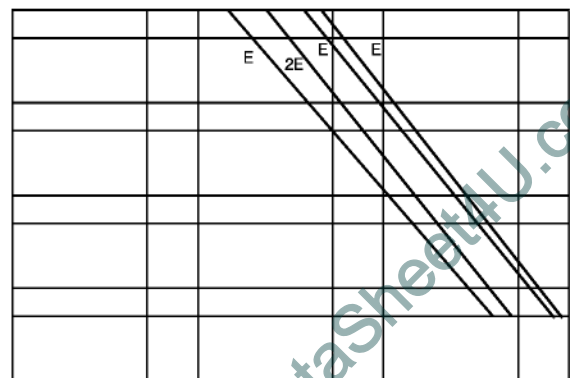
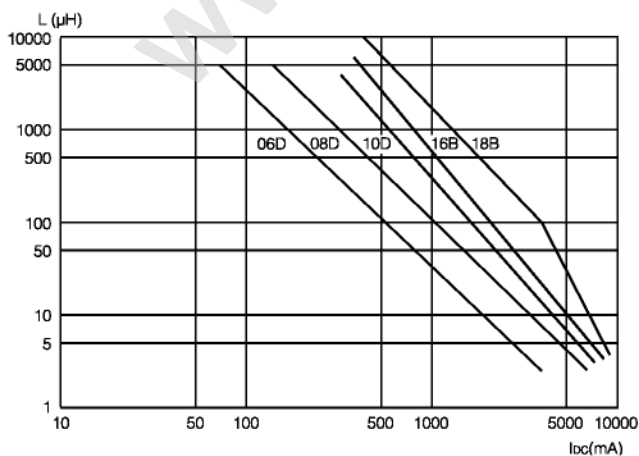
■ Recommended Applications

- CTV, VTR, Audio, PC, Facsimiles

■ Explanation of Part Numbers



■ Available I-L Characteristics



Design, Specifications are subject to change without notice. Ask factory for technical specifications before purchase and/or use. Whenever a doubt about safety arises from this product, please inform us immediately for technical consultation without fail.

■ Examples Type 06D

| Type | Part No. | Inductance (μH) | Tolerance (%) | Test Freq. (kHz) | [at 20°C] *DCR. (Ω±30%) (Ω±20%) | **[at 20°C] IDC. (Amax.) |
|------------|------------|-----------------|---------------|------------------|--|--------------------------------|
| 06D | ELC06D2R2E | 2.2 | ±20 | 10 | *0.026 | 3.4 |
| | ELC06D2R7E | 2.7 | | | *0.028 | 3.2 |
| | ELC06D3R3E | 3.3 | | | *0.027 | 3.0 |
| | ELC06D3R9E | 3.9 | | | *0.030 | 2.8 |
| | ELC06D4R7E | 4.7 | | | *0.033 | 2.6 |
| | ELC06D5R6E | 5.6 | | | *0.035 | 2.4 |
| | ELC06D6R8E | 6.8 | | | 0.041 | 2.0 |
| | ELC06D8R2E | 8.2 | | | 0.048 | 1.8 |
| | ELC06D100E | 10 | | | 0.052 | 1.7 |
| | ELC06D120E | 12 | | | 0.054 | 1.65 |
| | ELC06D150E | 15 | | | 0.059 | 1.50 |
| | ELC06D180E | 18 | | | 0.065 | 1.25 |
| | ELC06D220E | 22 | | | 0.076 | 1.20 |
| | ELC06D270E | 27 | | | 0.083 | 0.95 |
| | ELC06D330E | 33 | 0.100 | | 0.90 | |
| | ELC06D390E | 39 | 0.105 | | 0.85 | |
| | ELC06D470E | 47 | 0.12 | | 0.80 | |
| | ELC06D560E | 56 | 0.14 | | 0.75 | |
| | ELC06D680E | 68 | 0.15 | | 0.70 | |
| | ELC06D820E | 82 | 0.21 | | 0.55 | |
| | ELC06D101E | 100 | 0.23 | | 0.50 | |
| | ELC06D121E | 120 | 0.26 | | 0.49 | |
| | ELC06D151E | 150 | 0.37 | | 0.45 | |
| | ELC06D181E | 180 | 0.42 | | 0.40 | |
| | ELC06D221E | 220 | 0.55 | | 0.36 | |
| | ELC06D271E | 270 | 0.65 | | 0.35 | |
| | ELC06D331E | 330 | 0.74 | | 0.30 | |
| | ELC06D391E | 390 | 0.95 | | 0.27 | |
| | ELC06D471E | 470 | 1.08 | | 0.24 | |
| | ELC06D561E | 560 | 1.22 | | 0.22 | |
| | ELC06D681E | 680 | 1.59 | | 0.21 | |
| | ELC06D821E | 820 | 1.76 | | 0.18 | |
| | ELC06D102E | 1000 | 2.49 | | 0.16 | |
| | ELC06D122E | 1200 | 2.76 | | 0.15 | |
| | ELC06D152E | 1500 | 3.24 | | 0.13 | |
| | ELC06D182E | 1800 | 4.56 | | 0.12 | |
| ELC06D222E | 2200 | 5.18 | 0.11 | | | |
| ELC06D272E | 2700 | 6.08 | 0.10 | | | |
| ELC06D332E | 3300 | 8.80 | 0.10 | | | |
| ELC06D392E | 3900 | 9.47 | 0.08 | | | |
| ELC06D472E | 4700 | 10.9 | 0.075 | | | |
| ELC06D562E | 5600 | 12.3 | 0.07 | | | |

*DC Resistance: ±30%

**Allowable DC Current: Smaller current value either when the inductance of -10 % max. changed, or when the temperature of 45k max. rised.

Design, Specifications are subject to change without notice. Ask factory for technical specifications before purchase and/or use. Whenever a doubt about safety arises from this product, please inform us immediately for technical consultation without fail.

■ Examples Type 08D

| Type | Part No. | Inductance (μH) | Tolerance (%) | Test Freq. (kHz) | [at 20°C] *DCR. (Ω±30%) (Ω±20%) | **[at 20°C] IDC. (Amax.) | |
|------------|------------|-----------------|---------------|------------------|--|--------------------------------|-----|
| 08D | ELC08D2R2E | 2.2 | ±20 | 10 | 0.010 | 7.2 | |
| | ELC08D2R7E | 2.7 | | | 0.011 | 6.3 | |
| | ELC08D3R3E | 3.3 | | | 0.013 | 5.7 | |
| | ELC08D3R9E | 3.9 | | | 0.014 | 5.0 | |
| | ELC08D4R7E | 4.7 | | | 0.015 | 4.3 | |
| | ELC08D5R6E | 5.6 | | | 0.016 | 4.1 | |
| | ELC08D6R8E | 6.8 | | | 0.017 | 3.8 | |
| | ELC08D8R2E | 8.2 | | | 0.019 | 3.6 | |
| | ELC08D100E | 10 | | | 0.022 | 2.8 | |
| | ELC08D120E | 12 | | | 0.025 | 2.7 | |
| | ELC08D150E | 15 | | | 0.028 | 2.4 | |
| | ELC08D180E | 18 | | | 0.031 | 2.2 | |
| | ELC08D220E | 22 | | | ±10 | 0.034 | 2.0 |
| | ELC08D270E | 27 | | | | 0.039 | 1.8 |
| | ELC08D330E | 33 | 0.045 | | | 1.4 | |
| | ELC08D390E | 39 | 0.052 | | | 1.3 | |
| | ELC08D470E | 47 | 0.067 | | | 1.2 | |
| | ELC08D560E | 56 | 0.073 | | | 1.1 | |
| | ELC08D680E | 68 | 0.086 | | | 1.0 | |
| | ELC08D820E | 82 | 0.11 | | | 0.90 | |
| | ELC08D101E | 100 | 0.12 | | | 0.80 | |
| | ELC08D121E | 120 | 0.17 | | | 0.75 | |
| | ELC08D151E | 150 | 0.20 | | | 0.70 | |
| | ELC08D181E | 180 | 0.22 | | | 0.65 | |
| | ELC08D221E | 220 | 0.29 | | | 0.60 | |
| | ELC08D271E | 270 | 0.36 | | | 0.55 | |
| | ELC08D331E | 330 | 0.42 | | | 0.50 | |
| | ELC08D391E | 390 | 0.49 | | | 0.45 | |
| | ELC08D471E | 470 | 0.61 | | | 0.36 | |
| | ELC08D561E | 560 | 0.69 | | | 0.34 | |
| | ELC08D681E | 680 | 0.93 | | | 0.32 | |
| | ELC08D821E | 820 | 1.1 | | | 0.30 | |
| | ELC08D102E | 1000 | 1.3 | | | 0.29 | |
| | ELC08D122E | 1200 | 1.6 | | | 0.28 | |
| | ELC08D152E | 1500 | 1.9 | | | 0.24 | |
| | ELC08D182E | 1800 | 2.5 | | | 0.21 | |
| | ELC08D222E | 2200 | 2.8 | | | 0.20 | |
| | ELC08D272E | 2700 | 3.7 | | | 0.19 | |
| | ELC08D332E | 3300 | 4.4 | | 0.16 | | |
| ELC08D392E | 3900 | 4.9 | 0.14 | | | | |

*Allowable DC Current: Smaller current value either when the inductance of -10 % max. changed, or when the temperature of 45k max. rised.

■ Examples Type 10D

| Type | Part No. | Inductance (μH) | Tolerance (%) | Test Freq. (kHz) | [at 20°C] *DCR. (Ω±30%) (Ω±20%) | **[at 20°C] IDC. (Amax.) |
|------------|------------|-----------------|---------------|------------------|--|--------------------------------|
| 10D | ELC10D2R2E | 2.2 | ±20 | 10 | 0.014 | 5.9 |
| | ELC10D2R7E | 2.7 | | | 0.015 | 5.5 |
| | ELC10D3R3E | 3.3 | | | 0.016 | 5.2 |
| | ELC10D3R9E | 3.9 | | | 0.018 | 4.8 |
| | ELC10D4R7E | 4.7 | | | 0.019 | 4.6 |
| | ELC10D5R6E | 5.6 | | | 0.021 | 4.3 |
| | ELC10D6R8E | 6.8 | | | 0.022 | 4.2 |
| | ELC10D8R2E | 8.2 | | | 0.024 | 4.0 |
| | ELC10D100E | 10 | | | 0.026 | 3.9 |
| | ELC10D120E | 12 | | | 0.028 | 3.8 |
| | ELC10D150E | 15 | | | 0.033 | 3.5 |
| | ELC10D180E | 18 | | | 0.036 | 3.4 |
| | ELC10D220E | 22 | | | 0.040 | 3.2 |
| | ELC10D270E | 27 | | | 0.044 | 3.0 |
| | ELC10D330E | 33 | 0.051 | | 2.8 | |
| | ELC10D390E | 39 | 0.054 | | 2.7 | |
| | ELC10D470E | 47 | 0.060 | | 2.5 | |
| | ELC10D560E | 56 | 0.067 | | 2.3 | |
| | ELC10D680E | 68 | 0.075 | | 2.1 | |
| | ELC10D820E | 82 | 0.095 | | 1.8 | |
| | ELC10D101E | 100 | 0.11 | | 1.7 | |
| | ELC10D121E | 120 | 0.12 | | 1.6 | |
| | ELC10D151E | 150 | 0.16 | | 1.4 | |
| | ELC10D181E | 180 | 0.18 | | 1.3 | |
| | ELC10D221E | 220 | 0.21 | | 1.1 | |
| | ELC10D271E | 270 | 0.28 | | 1.0 | |
| | ELC10D331E | 330 | 0.32 | | 0.90 | |
| | ELC10D391E | 390 | 0.40 | | 0.80 | |
| | ELC10D471E | 470 | 0.45 | | 0.70 | |
| | ELC10D561E | 560 | 0.56 | | 0.68 | |
| | ELC10D681E | 680 | 0.66 | | 0.64 | |
| | ELC10D821E | 820 | 0.80 | | 0.55 | |
| | ELC10D102E | 1000 | 1.0 | | 0.50 | |
| | ELC10D122E | 1200 | 1.2 | | 0.45 | |
| | ELC10D152E | 1500 | 1.5 | | 0.42 | |
| | ELC10D182E | 1800 | 1.8 | | 0.40 | |
| | ELC10D222E | 2200 | 2.1 | | 0.36 | |
| | ELC10D272E | 2700 | 2.7 | | 0.32 | |
| | ELC10D332E | 3300 | 3.2 | | 0.28 | |
| ELC10D392E | 3900 | 3.5 | 0.26 | | | |

*Allowable DC Current:Smaller current value either when the inductance of -10 %max. changed, or when the temperaturer of 45k max. rised.

■ Examples Type 16B

| Type | Part No. | Inductance (μH) | Tolerance (%) | Test Freq. (kHz) | [at 20°C] *DCR. (Ω±30%) (Ω±20%) | **[at 20°C] IDC. (Amax.) |
|------------|------------|-----------------|---------------|------------------|--|--------------------------------|
| 16B | ELC16B3R3L | 3.3 | ±25 | 10 | *0.012 | 8.5 |
| | ELC16B3R9L | 3.9 | | | *0.013 | 8.0 |
| | ELC16B4R7L | 4.7 | | | *0.015 | 7.8 |
| | ELC16B5R6L | 5.6 | *0.016 | | 7.4 | |
| | ELC16B6R8L | 6.8 | ±20 | | 0.018 | 6.7 |
| | ELC16B8R2L | 8.2 | | | 0.019 | 6.1 |
| | ELC16B100L | 10 | | | 0.022 | 5.6 |
| | ELC16B120L | 12 | | | 0.023 | 5.5 |
| | ELC16B150L | 15 | | | 0.026 | 5.4 |
| | ELC16B180L | 18 | | | 0.028 | 5.1 |
| | ELC16B220L | 22 | | | 0.031 | 4.6 |
| | ELC16B270L | 27 | | | 0.034 | 4.3 |
| | ELC16B330L | 33 | | | 0.039 | 4.0 |
| | ELC16B390L | 39 | | | 0.042 | 3.9 |
| | ELC16B470L | 47 | 0.045 | | 3.8 | |
| | ELC16B560L | 56 | 0.051 | | 3.4 | |
| | ELC16B680L | 68 | 0.057 | | 3.2 | |
| | ELC16B820L | 82 | 0.064 | | 3.0 | |
| | ELC16B101L | 100 | 0.072 | | 2.6 | |
| | ELC16B121L | 120 | 0.080 | | 2.5 | |
| | ELC16B151L | 150 | 0.103 | | 2.2 | |
| | ELC16B181L | 180 | 0.115 | | 2.1 | |
| | ELC16B221L | 220 | 0.13 | | 1.9 | |
| | ELC16B271L | 270 | 0.17 | | 1.6 | |
| | ELC16B331L | 330 | 0.20 | | 1.5 | |
| | ELC16B391L | 390 | 0.25 | | 1.3 | |
| | ELC16B471L | 470 | 0.28 | | 1.2 | |
| | ELC16B561L | 560 | 0.38 | | 1.1 | |
| | ELC16B681L | 680 | 0.43 | | 1.0 | |
| | ELC16B821L | 820 | 0.58 | | 0.88 | |
| | ELC16B102L | 1000 | 0.66 | | 0.85 | |
| | ELC16B122L | 1200 | 0.74 | | 0.82 | |
| | ELC16B152L | 1500 | 0.87 | | 0.74 | |
| | ELC16B182L | 1800 | 1.22 | | 0.60 | |
| | ELC16B222L | 2200 | 1.38 | | 0.57 | |
| | ELC16B272L | 2700 | 1.57 | | 0.54 | |
| | ELC16B332L | 3300 | 2.0 | | 0.47 | |
| | ELC16B392L | 3900 | 2.4 | | 0.42 | |
| | ELC16B472L | 4700 | 3.3 | | 0.36 | |
| | ELC16B562L | 5600 | 3.7 | | 0.34 | |
| ELC16B682L | 6800 | 4.2 | 0.32 | | | |
| ELC16B822L | 8200 | 5.6 | 0.28 | | | |
| ELC16B103L | 10000 | 6.4 | 0.26 | | | |
| ELC16B123L | 12000 | 7.3 | 0.24 | | | |

*Refer to former page

Design, Specifications are subject to change without notice. Ask factory for technical specifications before purchase and/or use. Whenever a doubt about safety arises from this product, please inform us immediately for technical consultation without fail.

■ Examples Type 18B

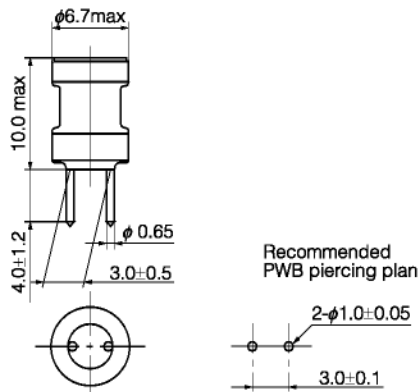
| Type | Part No. | Inductance (μH) | Tolerance (%) | Test Freq. (kHz) | [at 20°C] *DCR. (Ω±20%) | **[at 20°C] IDC. (Amax.) |
|------------|------------|-----------------|---------------|------------------|-------------------------------|--------------------------------|
| 18B | ELC18B3R3L | 3.3 | ±20 | 10 | 0.010 | 8.5 |
| | ELC18B3R9L | 3.9 | | | 0.011 | 8.0 |
| | ELC18B4R7L | 4.7 | | | 0.012 | 7.8 |
| | ELC18B5R6L | 5.6 | | | 0.013 | 7.4 |
| | ELC18B6R8L | 6.8 | | | 0.015 | 6.8 |
| | ELC18B8R2L | 8.2 | | | 0.016 | 6.6 |
| | ELC18B100L | 10 | | | 0.017 | 6.5 |
| | ELC18B120L | 12 | | | 0.018 | 6.0 |
| | ELC18B150L | 15 | | | 0.021 | 5.9 |
| | ELC18B180L | 18 | | | 0.022 | 5.6 |
| | ELC18B220L | 22 | ±10 | | 0.025 | 5.4 |
| | ELC18B270L | 27 | | | 0.028 | 4.8 |
| | ELC18B330L | 33 | | | 0.030 | 4.6 |
| | ELC18B390L | 39 | | | 0.033 | 4.4 |
| | ELC18B470L | 47 | | | 0.037 | 4.3 |
| | ELC18B560L | 56 | | | 0.040 | 4.2 |
| | ELC18B680L | 68 | | | 0.046 | 4.0 |
| | ELC18B820L | 82 | | | 0.051 | 3.7 |
| | ELC18B101L | 100 | | | 0.057 | 3.2 |
| | ELC18B121L | 120 | | | 0.065 | 3.0 |
| | ELC18B151L | 150 | | | 0.072 | 2.7 |
| | ELC18B181L | 180 | | | 0.082 | 2.6 |
| | ELC18B221L | 220 | | | 0.090 | 2.4 |
| | ELC18B271L | 270 | | | 0.11 | 2.2 |
| | ELC18B331L | 330 | | | 0.13 | 1.9 |
| | ELC18B391L | 390 | | | 0.15 | 1.8 |
| | ELC18B471L | 470 | | | 0.21 | 1.6 |
| | ELC18B561L | 560 | | | 0.23 | 1.5 |
| | ELC18B681L | 680 | | | 0.26 | 1.4 |
| | ELC18B821L | 820 | | | 0.34 | 1.3 |
| | ELC18B102L | 1000 | | | 0.39 | 1.1 |
| | ELC18B122L | 1200 | | | 0.44 | 1.0 |
| | ELC18B152L | 1500 | | | 0.58 | 0.85 |
| | ELC18B182L | 1800 | | | 0.65 | 0.84 |
| | ELC18B222L | 2200 | | | 0.88 | 0.75 |
| | ELC18B272L | 2700 | | | 1.2 | 0.68 |
| | ELC18B332L | 3300 | | | 1.4 | 0.60 |
| | ELC18B392L | 3900 | | | 1.5 | 0.57 |
| | ELC18B472L | 4700 | | | 1.7 | 0.55 |
| | ELC18B562L | 5600 | | | 2.2 | 0.46 |
| ELC18B682L | 6800 | 2.8 | 0.45 | | | |
| ELC18B822L | 8200 | 3.1 | 0.41 | | | |
| ELC18B103L | 10000 | 3.9 | 0.36 | | | |

*Refer to former page

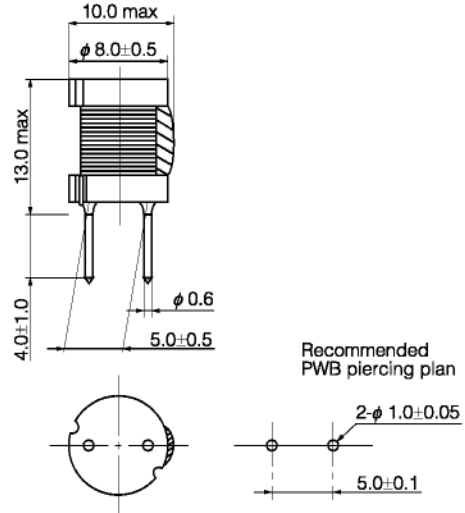
Design, Specifications are subject to change without notice. Ask factory for technical specifications before purchase and/or use. Whenever a doubt about safety arises from this product, please inform us immediately for technical consultation without fail.

■ Dimensions in mm (not to scale)

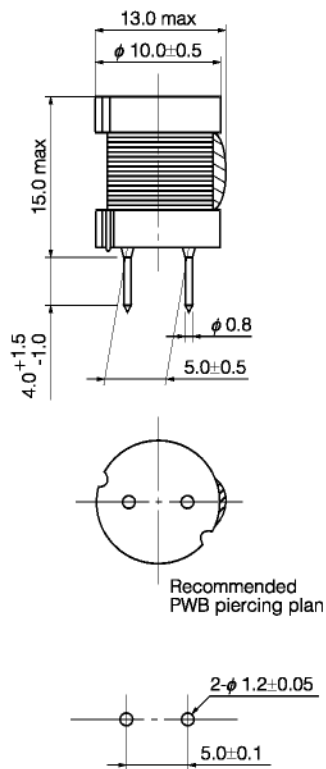
● Type 06D



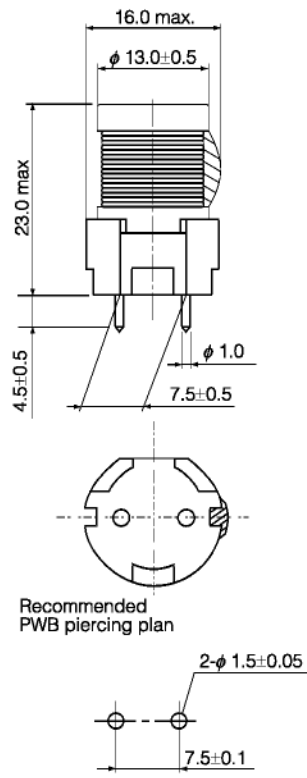
● Type 08D



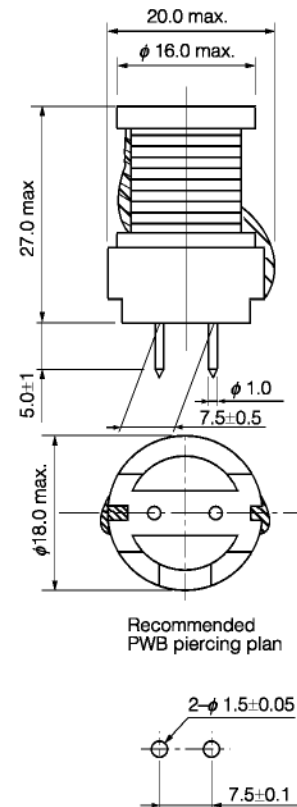
● Type 10D



● Type 16B



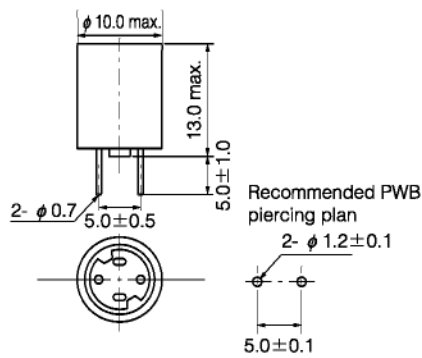
● Type 18B



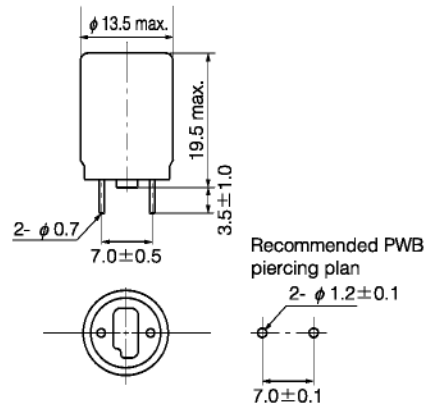
Design, Specifications are subject to change without notice. Ask factory for technical specifications before purchase and/or use. Whenever a doubt about safety arises from this product, please inform us immediately for technical consultation without fail.

■ Dimensions in mm (not to scale)

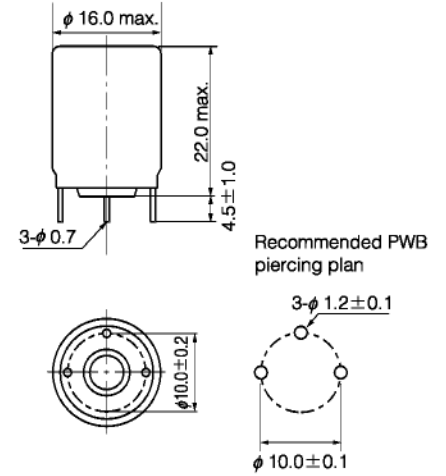
● Type 10E



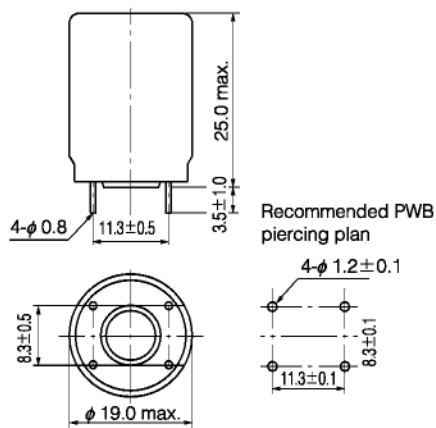
● Type 12E



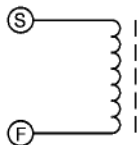
● Type 16E



● Type 18E



■ Connection Schematic



Design, Specifications are subject to change without notice. Ask factory for technical specifications before purchase and/or use. Whenever a doubt about safety arises from this product, please inform us immediately for technical consultation without fail.