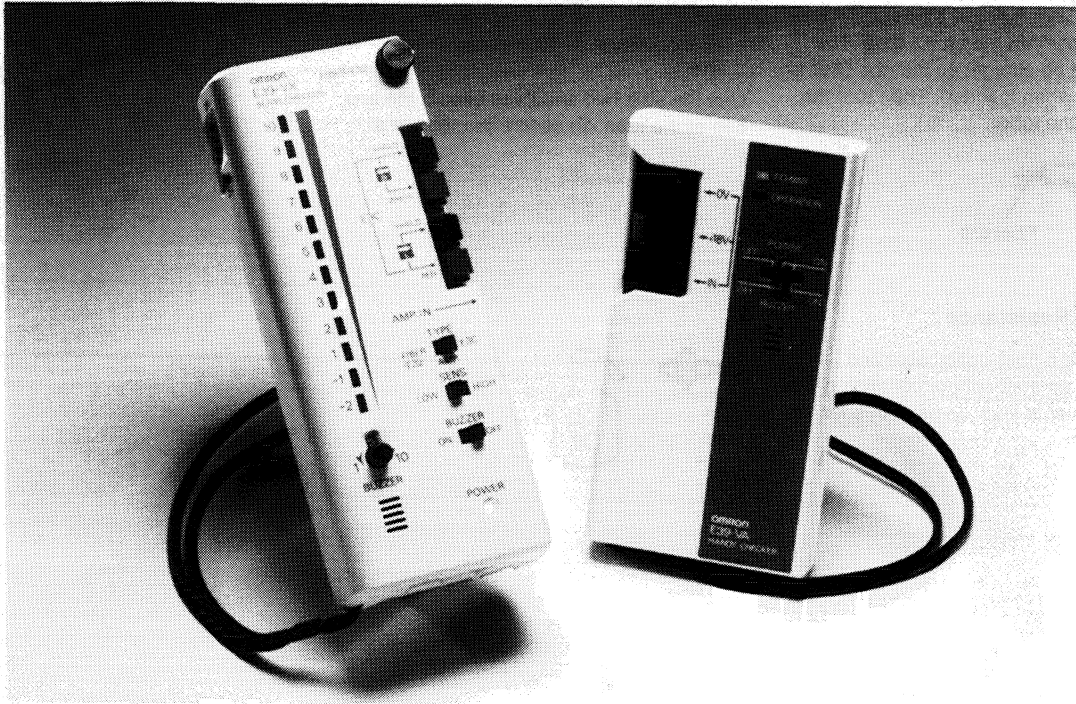


Sensor Checker

E39-V□

Allows Easy Set-up and Operation
Check of Sensor Products



E39-VX BEAM CHECKER

- Compact unit offers fiber-optic amplifier, E3C amplifier and 98 volt power supply in one unit
- 12-segment LED display provides visible indication for critical beam alignment and sensing applications
- Buzzer control provides audible signal at a desired sensing level
- Low battery indication

E39-VA HANDY CHECKER

- Provides 18-volt DC power supply for easy operation check of sensors
- LED and buzzer for output indication
- Low battery indication
- Business card holder on back of unit

Ordering Information

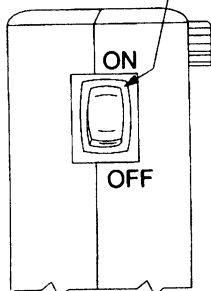
Description	Part number
Beam checker for E3C and Fiber-optic amplifier; 18 volt power supply	E39-VX
Handy checker; 18 volt power supply	E39-VA

Operation

■ E39-VX BEAM CHECKER

Power Supply Switch

The power supply switch is used to turn the beam checker ON or OFF. Be sure to keep this switch OFF when not in use. This will help to extend battery life.



LED Bar Graph

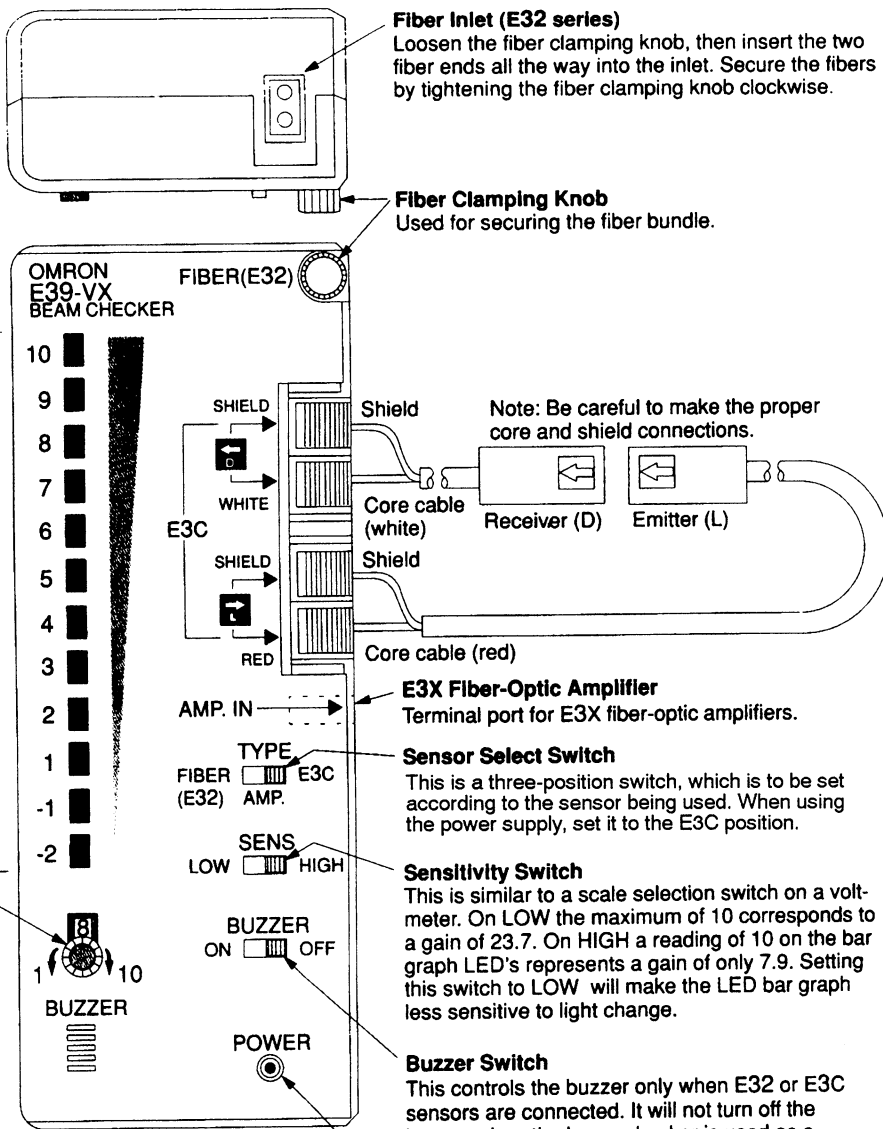
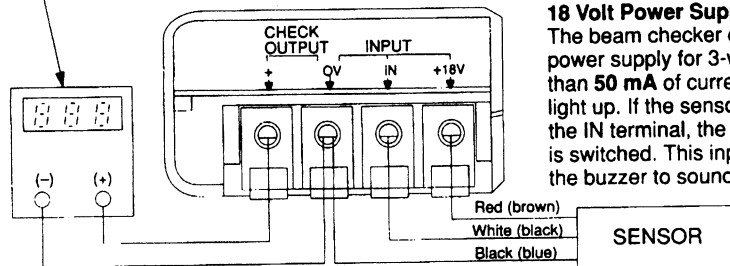
The LED sequentially lights up in accordance with the amount of light received. The stronger the light required, the higher the number.

Buzzer Squelch Knob

When the buzzer switch is ON, the squelch knob sets the minimum level needed to turn on the buzzer. For example, when the switch is set at 7, the buzzer only turns on when the LED bar graph reaches a level of 7 or higher.

Digital Voltmeter

To measure the amount of light received more accurately, connect a voltmeter across the CHECK OUTPUT terminals on the bottom of the E39-VX. Output voltage range is 0 to 4 volts DC, which corresponds to the -2 to 10 LED bar graph. The digital voltmeter requires 1 MΩ minimum impedance.



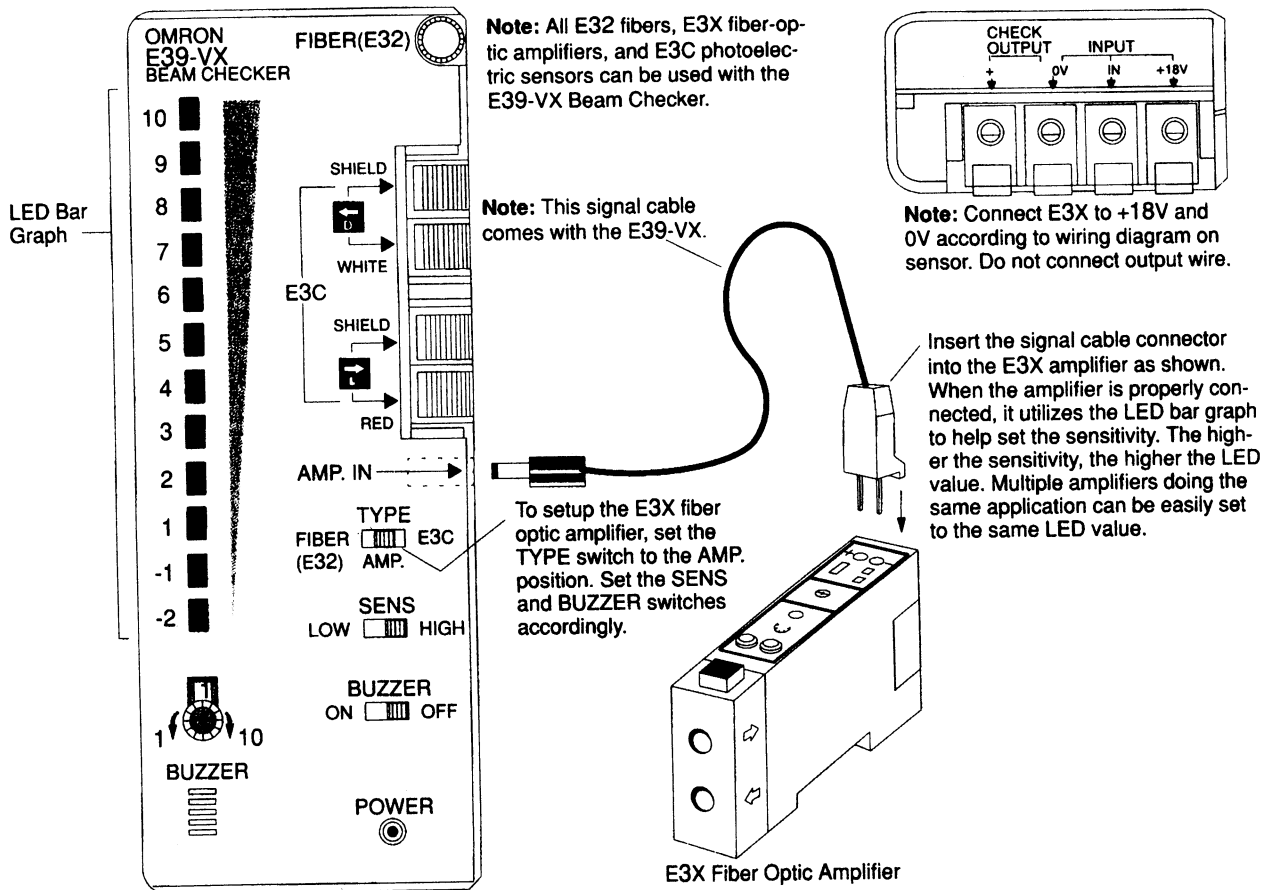
18 Volt Power Supply

The beam checker can be used as a portable power supply for 3-wire DC sensors using less than 50 mA of current. The LED bar graph will not light up. If the sensor output wire is connected to the IN terminal, the buzzer will sound when output is switched. This input requires an NPN sensor for the buzzer to sound.

Connections

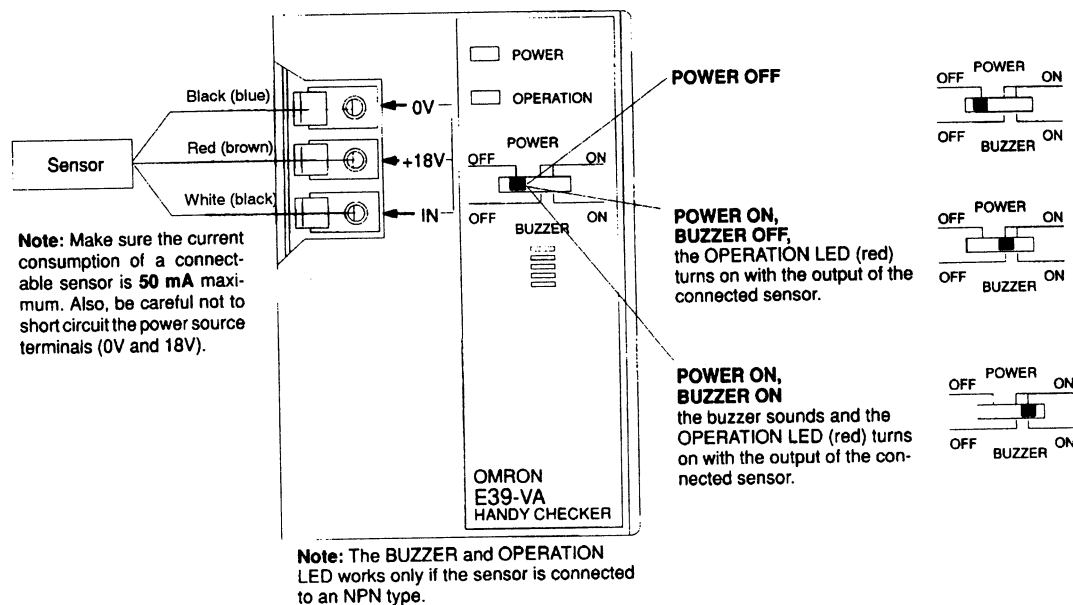
Photoelectric Sensors

■ USING E3X AMPLIFIERS WITH THE E39-VX BEAM CHECKER



■ E39-VA HANDY CHECKER

Wire colors in parentheses represent new IEC color codes.





For more information on this product line, see the complete data sheet at
Omron's Knowledge Center on our web site: www.omron.com/oei

NOTE: DIMENSIONS SHOWN ARE IN MILLIMETERS. To convert millimeters to inches divide by 25.4.

OMRON[®]

OMRON ELECTRONICS LLC

One East Commerce Drive
Schaumburg, IL 60173

1-800-55-OMRON

OMRON ON-LINE

Global - <http://www.omron.com>
USA - <http://www.omron.com/oei>
Canada - <http://www.omron.com/oci>

OMRON CANADA, INC.

885 Milner Avenue
Scarborough, Ontario M1B 5V8

416-286-6465