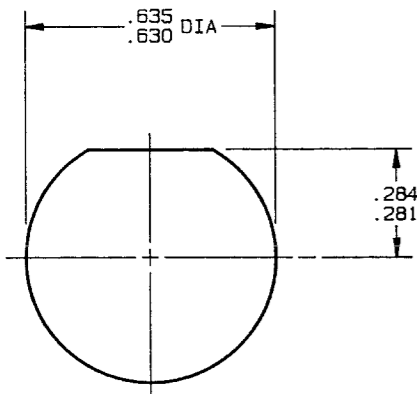
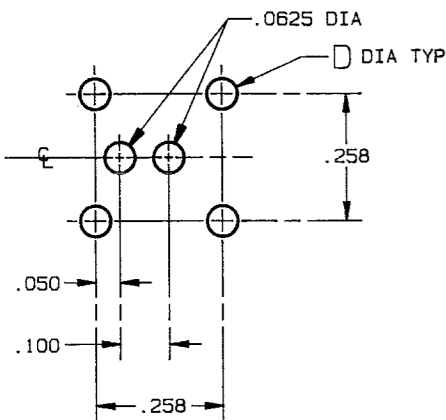


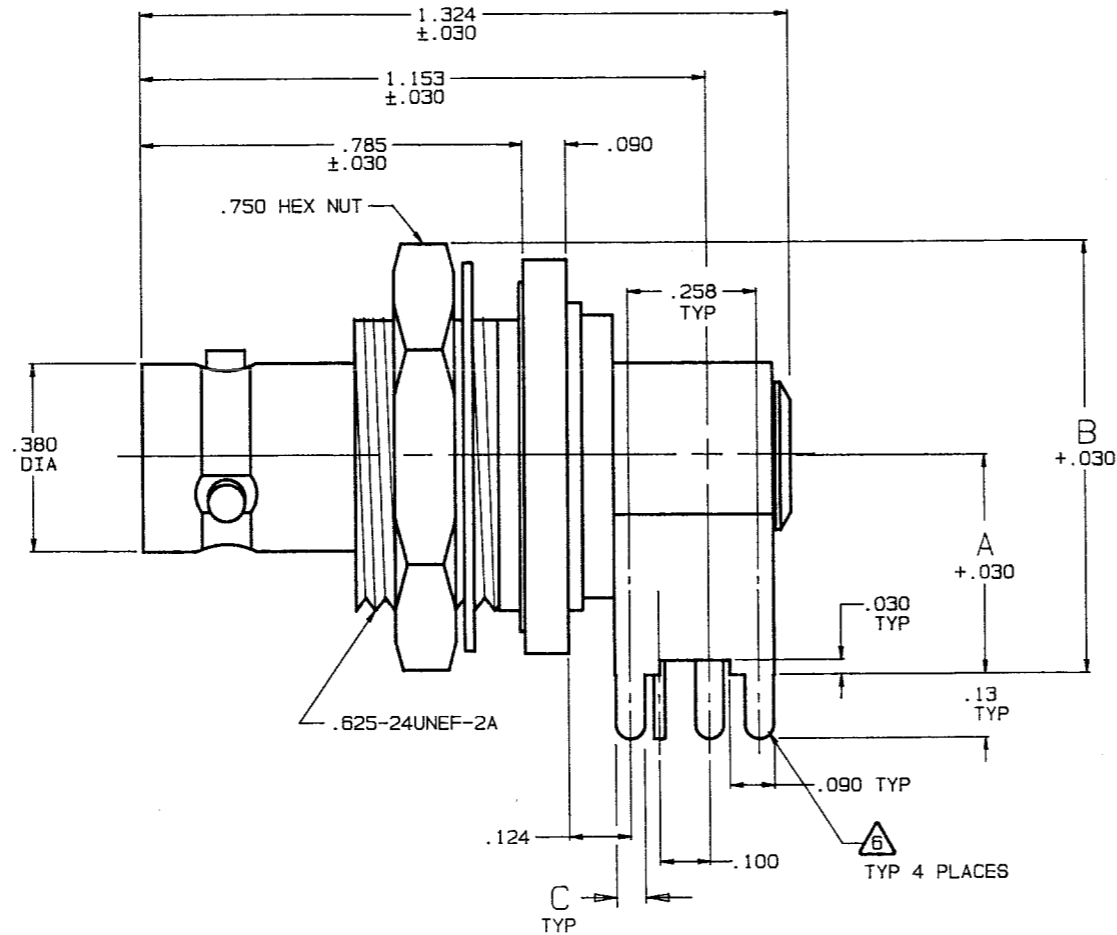
DASH NO	MODEL NO	LTR CODE	A DIM	B DIM	C DIM	D DIM
-1	CBBJR74	---	.345	.778	.050	.0625
-2	CBBJR74A	A	.445	.878	.058	.070



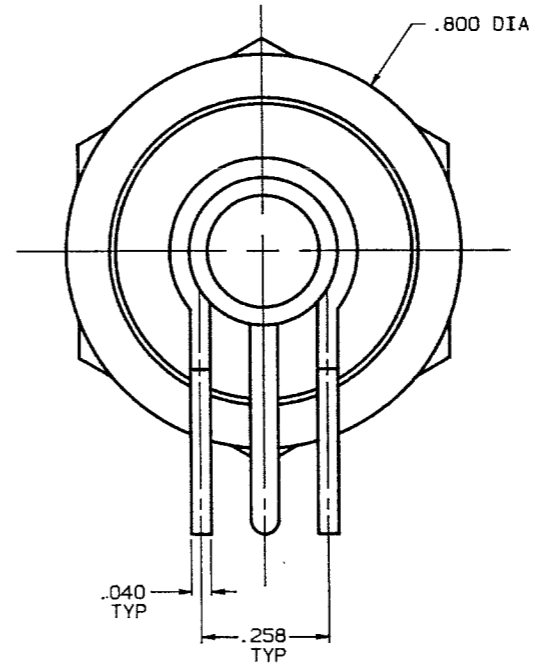
RECOMMENDED PANEL CUTOUT



RECOMMENDED MTG HOLE PATTERN



-2 SHOWN



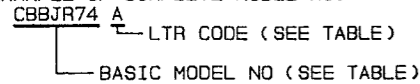
INCE	MM	INCE	MM
.0010	0.03	.258	6.55
.0015	0.04	.281	7.14
.005	0.13	.284	7.21
.030	0.76	.345	8.76
.040	1.02	.380	9.65
.050	1.27	.445	11.30
.058	1.47	.630	16.00
.060	1.52	.635	16.13
.0625	1.59	.750	19.05
.070	1.78	.778	19.76
.090	2.29	.785	19.94
.100	2.54	.800	20.32
.124	3.15	.875	22.23
.130	3.30	1.153	29.29
.140	3.56	1.324	33.63

RED INDICATES ORIGINAL

△ PRE-TINNED. .0015 MAXIMUM THICKNESS WITH SN63 OR EQUIV SOLDER, PER QQ-S-571, TO WITHIN .060 MAXIMUM OF SHOULDER, AFTER PLATING

5. MAX PNL THK .140

4. EXAMPLE OF COMPLETE MODEL NO:



3. FINISH: TFS-1A (NICKEL)

2. CONCENTRIC TWINAX/TRIAX RIGHT ANGLE CIRCUIT BOARD AND BULKHEAD MOUNT TRB SERIES RECEPTACLE

1. ALL DIM ARE IN INCHES

QTY	DESCRIPTION	PART NUMBER	ITEM
TOL UNLESS SPECIFIED .XX ± .XXX ± .005 .XXXX ± .0010 ANGLES ±		TROMPETER ELECTRONICS, INC.	
DWN	J S 5/1/92	MATERIAL	CODE IDENT
CHK	H/W 5/27/92	14949	14949
ENGR		DRAWING NO.	REV
		3-0281	
NEXT ASSY	APPR DWA 5/27/92	SCALE 4/1	DATE 5/27/92 SHEET 1 OF 2