

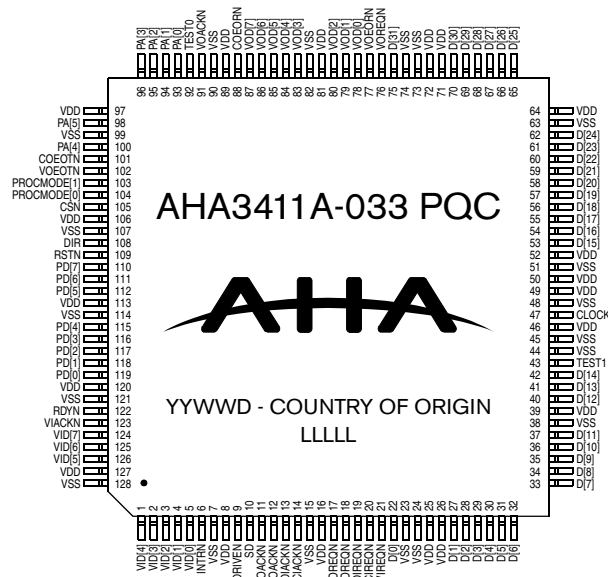
AHA3411 StarLite

33 MBYTES/SEC SIMULTANEOUS COMPRESSOR/DECOMPRESSOR IC

AHA3411 is a high speed lossless compression coprocessor IC for the hardcopy systems on many standard platforms, including the PCI Bus. The device is targeted for over 30 ppm printers or 50 ppm copiers at 1200 dpi.

Simultaneous compression and decompression, flexible interfaces and advanced banding support make this a unique solution for high performance Raster Image Processing (RIP) controller designs. Advanced banding support handles blank, uncompressed and compressed bands during decompression mode. Scan line and record length counters accommodate various print resolutions and band buffer sizes.

Software simulation and an analysis of the algorithm for printer and copier images of various complexity are available for evaluation.



NOTE: YYWW = DATE CODE; LLLL = LOT NUMBER

FEATURES

PERFORMANCE:

- 33 MBytes/sec compression/decompression rates
- 132 MBytes/sec burst data rate over a 32-bit data bus
- 33 MBytes/sec synchronous optional 8-bit video in and video out ports
- Simultaneous compression and decompression at full bandwidth
- Average 15 to 1 compression ratio for 1200 dpi bitmap image data
- Advanced banding support

FLEXIBILITY:

- Big Endian or Little Endian; 32 or 16-bit bus width and data bit/byte reordering for duplex printing support
- Programmable Record Length, Record Count and Scan Length Registers may be prearmed
- Scan line length up to 2K bytes
- Interfaces directly with various Motorola 68xxx and Cold FIRE and Intel i960 processors
- Pass-through mode passes raw data through compression and decompression engines

SYSTEM INTERFACE:

- Single chip compression/decompression solution—no external SRAM required
- Four internal 16 × 32-bit FIFOs
- Maskable interrupts
- Tristatable outputs to facilitate board level testing

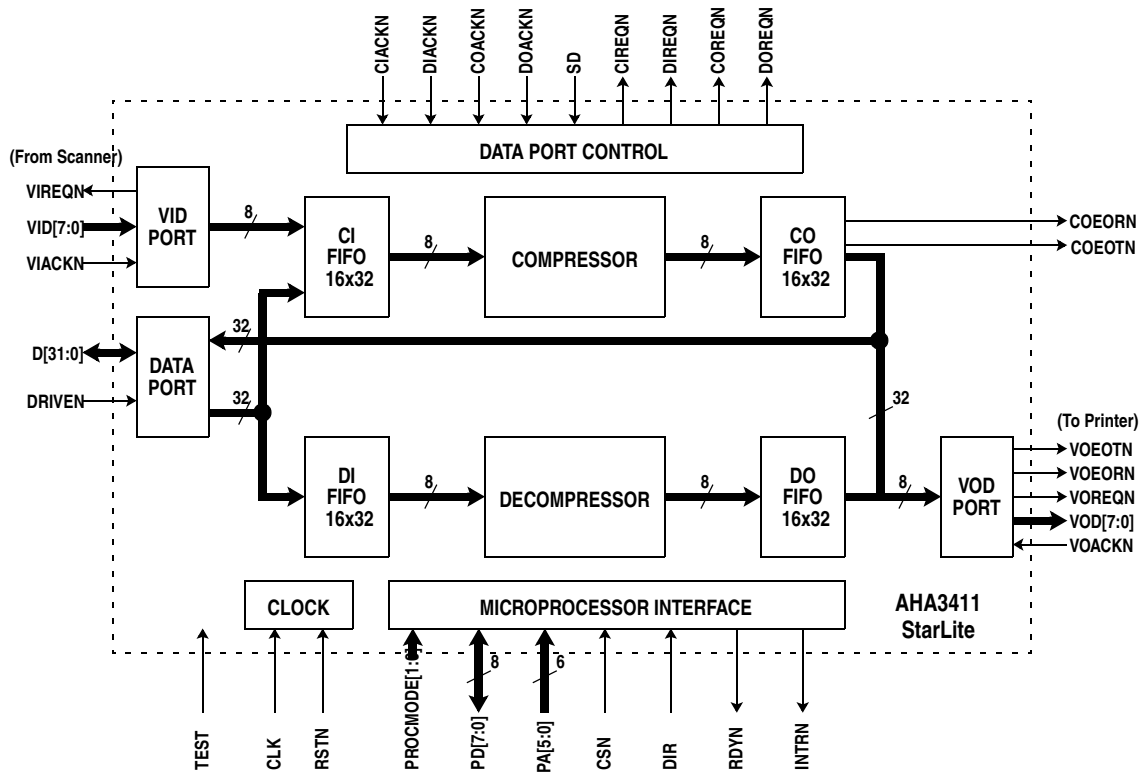
OTHERS:

- Low power modes
- Optional counter checks errors in decompression
- Software emulation program available
- 128 pin quad flat package

APPLICATIONS

- Digital copiers
- Printer controllers
- Multifunction printers and copiers

Figure 1: AHA3411 Block Diagram



FUNCTIONAL DESCRIPTION

The coprocessor device has three external high speed synchronous data ports each capable of transferring once every 33 MHz clock. These are a 32-bit bidirectional data port, an 8-bit Video Input Data (VID) port and a Video Output Data (VOD) port. The data port is capable of transferring up to 132 MBytes/sec. The VID and VOD are capable of up to 33 MBytes/sec each.

The device accepts uncompressed data through the data port or optionally through the 8-bit VID port into its Compression In FIFO (CI FIFO). Compressed data is available through the data port via the Compressed Output FIFO (CO FIFO). The sustained data rate through the compression engine is 33 MBytes/sec.

Decompression data is accepted through the data port, buffered in the Decompression Input FIFO (DI FIFO), and decompressed. The output data is made available on the data port via the Decompression Output FIFO (DO FIFO) or optionally on the 8-bit Video Output port. The decompression engine runs on the 33 MHz clock and is capable of processing an uncompressed byte every clock, i.e. 33 MBytes/sec.

The four FIFOs are organized as 16x32 each. For data transfers through the three ports, the “effective” FIFO widths differ according to their data bus widths.

Data transfer for compression or decompression is synchronous over the three data ports functioning as DMA masters. To initiate a transfer into or out of the Video ports, the device asserts VxREQN, the external device responds with VxACKN and begins to transfer data over the VID or VOD busses on each succeeding rising edge of the clock until VxREQN is deasserted. The data port relies on the FIFO Threshold settings to determine the transfer.

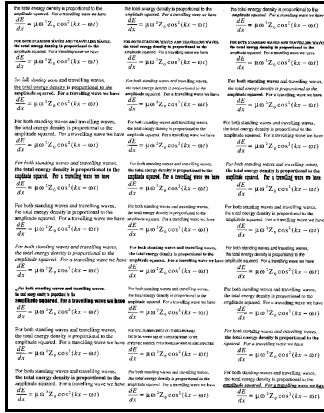
SYSTEM APPLICATION

The device is intended for memory intensive applications, such as digital copiers or printers. These applications require the simultaneous compression and decompression capability of the device. Copiers use this feature to feed the compressed bit maps through the decompressor to the printer engine while another process uses the compressor to input and compress scanned images. Movement for both processes is typically controlled by a DMA controller that is programmed by the local microprocessor.

StarLite IMAGE COMPRESSION RESULTS - 1200 x 1200 DPI

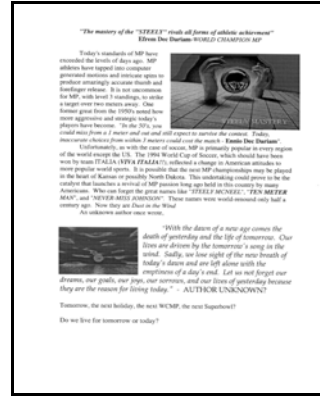
Uncompressed file size = 16 MBytes; Image dimensions = 10200 x 13200 pels

FONTS - Simple Text



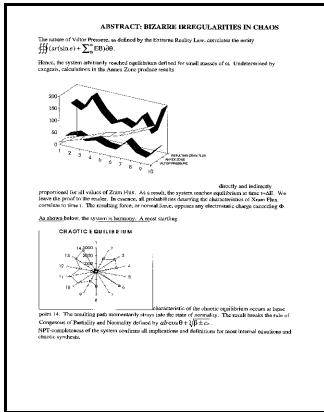
Output File Size = 783,848
Compression Ratio = 21.5

MP - Text and Simple Graphics



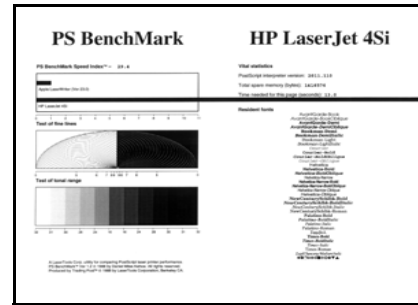
Output File Size = 86,525
Compression Ratio = 194.5

MATH - Simple Text and Linear



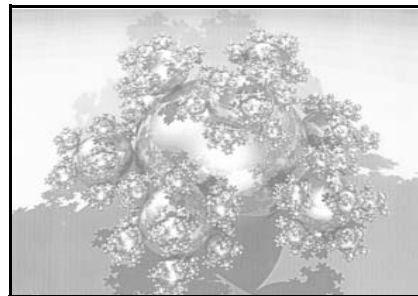
Output File Size = 79,245
Compression Ratio = 212.4

BENCH2 - Text and Graphics with Pictorials



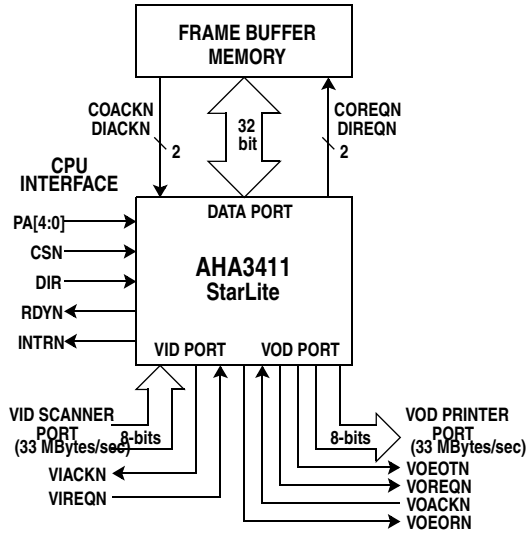
Output File Size = 424,995
Compression Ratio = 39.6

BALLS - Complex Graphics with Pictorials



Output File Size = 3,665,167
Compression Ratio = 4.6

COMPRESSOR/DECOMPRESSOR FOR MID-RANGE MULTIFUNCTION COPIER/PRINTER APPLICATIONS - AN EXAMPLE



ABOUT AHA

Comtech AHA Corporation (AHA) develops and markets superior integrated circuits, boards, and intellectual property core technology for communications systems architects worldwide. AHA has been setting the standard in Forward Error Correction and Lossless Data Compression technology for many years and provides flexible, cost-effective solutions for today's growing bandwidth and reliability challenges. Comtech AHA Corporation is a wholly owned subsidiary of Comtech Telecommunications Corp. (NASDAQ: CMTL). For more information, visit www.aha.com.

ORDERING INFORMATION

PART NUMBER	DESCRIPTION
AHA3411A-033 PQC	33 MBytes/sec Simultaneous Compressor/Decompressor IC



comtech aha corporation

A subsidiary of Comtech Telecommunications Corporation

1126 Alturas Drive ■ Moscow ID 83843-8331

tel: 208.892.5600 ■ fax: 208.892.5601

e-mail: sales@aha.com ■ www.aha.com