

**PLEASE CHECK WWW.MOLEX.COM FOR LATEST PART INFORMATION**

**Part Number:** [0082263804](#)  
**Status:** **Active**  
**Description:** 1.50mm (.059") Pitch Round Conductor Flat Cable - 26 AWG (7 x 34) Stranded, Topcoat, 4 Circuits, Reel 30.48m (100.0' ) Length

**Documents:**

[Drawing \(PDF\)](#) [RoHS Certificate of Compliance \(PDF\)](#)

**Agency Certification**

CSA LR61126  
 UL E61522

**General**

Product Family Cable  
 Series [24483](#)  
 Crimp Quality Equipment Yes  
 Geographic Area Asia  
 Product Name Ribbon

**Physical**

Cable Length 30.48m (100.0' )  
 Circuits (Loaded) 4  
 Insulation PVC  
 Packaging Type Reel  
 Pitch - Term. Interface (in) 0.059 In  
 Pitch - Term. Interface (mm) 1.50 mm  
 Temperature Range - Operating -20°C to +105°C  
 Wire Size AWG 26  
 Wire/Cable Type (7x34) Stranded, Topcoat

**Electrical**

Current - Maximum per Contact N/A  
 Voltage - Maximum 300V

**Material Info**

Old Part Number 24483-04-100B

**Reference - Drawing Numbers**

Sales Drawing SD-24483-001



**EU RoHS**

**ELV and RoHS  
 Compliant  
 REACH SVHC  
 Not Reviewed  
 Halogen-Free  
 Status  
 Not Reviewed**

**China RoHS**



**Need more information on product environmental compliance?**

Email [productcompliance@molex.com](mailto:productcompliance@molex.com)  
 For a multiple part number RoHS Certificate of Compliance, [click here](#)

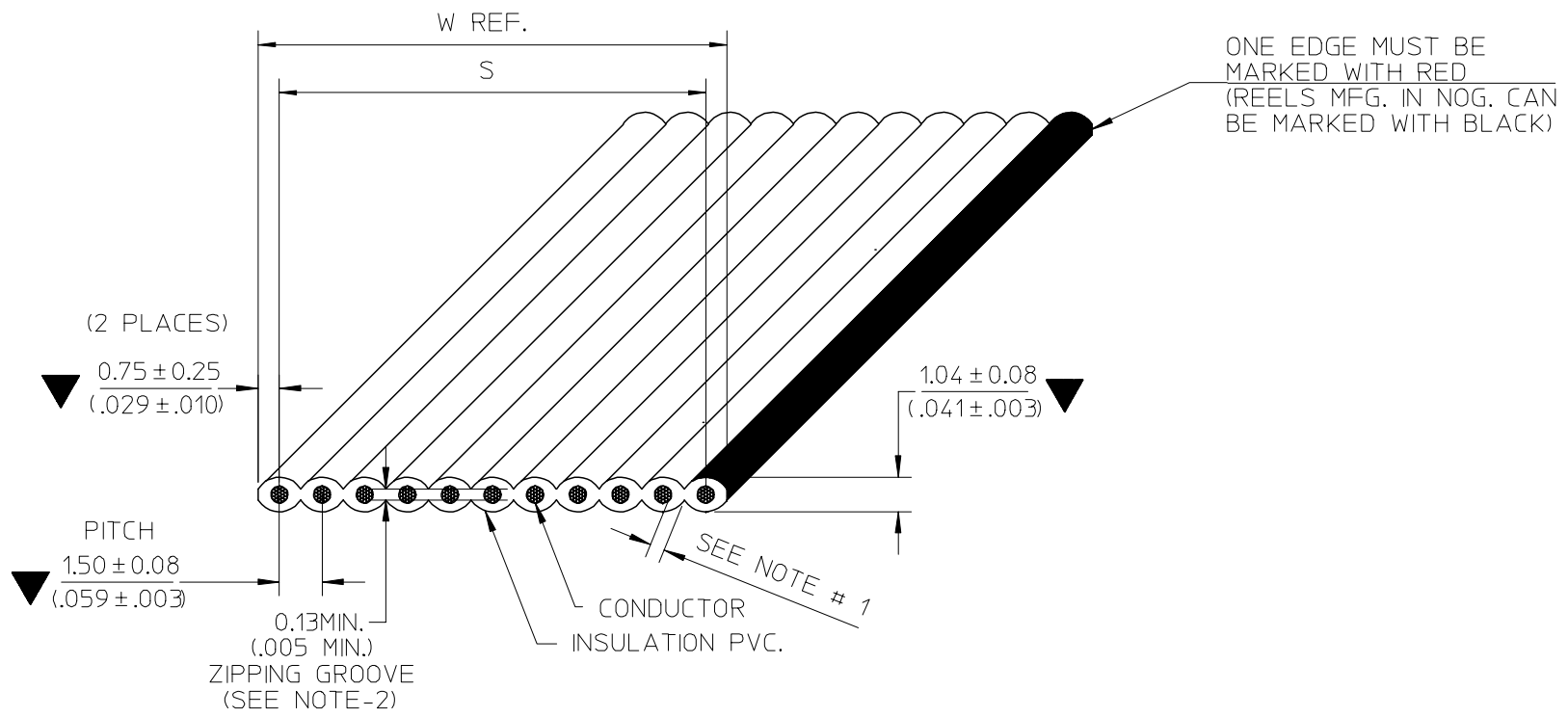
Please visit the [Contact Us](#) section for any non-product compliance questions.

**Search Parts in this Series**

[24483Series](#)

**Use With**

[52004 Wire Trap](#). [51016 Cable Holder](#)



- NOTE :**
1. THE CABLE SHALL HAVE A MINIMUM OF 0.178mm. (.007") THICKNESS INSULATION AT ANY POINT
  2. RIP TEST:
    - THE 0.13mm. (.005") ZIPPING GROOVE SHALL BE CAPABLE OF BEING RIPPED BY HAND WITHIN THE RECESS, WITHOUT EXPOSING THE ADJACENT CONDUCTORS
  3. RoHS AND LEAD FREE COMPLIANT
  4. SPECIAL REQUIREMENT: N/A

B	E-07-0748	B <sub>2</sub> : ADD NON-OPERATING TEMP. B <sub>1</sub> : ADD SOLDERING CONDITION	07/10/01
A	N/A	NEW RELEASE	06/08/09
REV. HISTORY	EC NO.	DETAIL	DATE

SEE CHANGE DETAIL  
 EC NO: THL2008-0015  
 DRWN: CPANSAKHOM 2007/11/28  
 CHKD: DNARINTARA 2007/11/29  
 APPR: SVIRATJAPOL 2007/12/04

QUALITY SYMBOLS	DESCRIPTION
▽=3	
▽=0	

GENERAL TOLERANCES (UNLESS SPECIFIED)	
	mm INCH
4 PLACES	± --- ± ---
3 PLACES	± --- ± ---
2 PLACES	± --- ± ---
1 PLACE	± --- ± ---
ANGULAR ± --- °	
DRAFT WHERE APPLICABLE MUST REMAIN WITHIN DIMENSIONS	

DIMENSION STYLE	
MM/IN	
DRAWN BY	DATE
CPANSAKHOM	2006/08/09
CHECKED BY	DATE
PMEECHAI	2006/08/09
APPROVED BY	DATE
SVIRATJAPOL	2006/08/09
MATERIAL NO.	
SEE CHART	
SIZE	
A/4	

SCALE	DESIGN UNITS	THIRD ANGLE PROJECTION
NTS	INCH	
TITLE		
FCB ROUND CONDUCTOR 1.50MM(.059)CENTERS PVC. 26AWG STRANDED TOPCOATED		
MOLEX INCORPORATED		
MATERIAL NO.	DOCUMENT NO.	SHEET NO.
SEE CHART	SD-24483-001	1 OF 3
THIS DRAWING CONTAINS INFORMATION THAT IS PROPRIETARY TO MOLEX INCORPORATED AND SHOULD NOT BE USED WITHOUT WRITTEN PERMISSION		

SPECIFICATIONS

PHYSICAL

CONDUCTOR SPACING .....1.50 (.059") C TO C  
 WIRE GAUGE .....26 AWG(7/34) STRANDED TOPCOATED  
 INSULATION .....P.V.C GRAY (LEAD FREE)

AGENCY

U.L. STYLE NO. ....2651  
 TEMPERATURE RATING .....-20°C TO 105°C  
 VOLTAGE RATING .....300V.MAX.  
 FLAMMABILITY RATING .....VW-1

ELECTRICAL


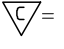
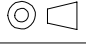
CONDUCTOR RESISTANCE (D.C.) .....40.0 m OHMS/FT. MAX.  
 CHARACTERISTIC IMPEDANCE .....TBD OHMS NOM. (GS)  
 .....TBD OHMS NOM. (GSG)  
 CAPACITANCE .....TBD pF/FT. NOM. (GS)  
 .....TBD pF/FT. NOM. (GSG)  
 PROPAGATION DELAY .....1.4 ns/FT. NOM.  
 INSULATION RESISTANCE .....10M OHMS (10FT. SAMPLE)  
 DIELECTRIC WITHSTAND VOLTAGE .....2000 VRMS/MINUTE

GENERAL

$\triangle_{B_2}$  NON-OPERATING TEMPERATURE .....-20°C TO 105°C  
 FAULTS AND/OR SPLICES .....1/REEL MAX. 100 $\pm$ <sub>0</sub><sup>3</sup> FT. (30.48 $\pm$ <sub>0</sub><sup>914</sup> M.)/REEL  
 20FT. (6.096M.) MIN. LENGTH

$\triangle_{B_1}$  SOLDERING CONDITION

SOLDER TEMPERATURE .....260°C. MAX.  
 SOLDERING TIME .....3 SECOND, MAX.  
 INSULATION SHRINK .....2MM, NOM

SEE CHANGE DETAIL EC NO: THL2008-0015 DRAWN: CPANSAKHOM 2007/11/28 CHKD: DNARINTARA 2007/11/29 APPR: SVIRATJAPOL 2007/12/04	DESCRIPTION REV	QUALITY SYMBOLS	GENERAL TOLERANCES (UNLESS SPECIFIED)		DIMENSION STYLE		SCALE	DESIGN UNITS	THIRD ANGLE PROJECTION	
		 =  =	mm	INCH	MM/IN		NTS	INCH		
			4 PLACES ± ---	± ---	DRAWN BY	DATE	TITLE FCB ROUND CONDUCTOR 1.50MM(.059)CENTERS PVC. 26AWG STRANDED TOPCOATED MOLEX INCORPORATED			
		3 PLACES ± ---	± ---	CPANSAKHOM	2006/08/09	DRAWN BY			DATE	
		2 PLACES ± ---	± ---	CHECKED BY	DATE	APPROVED BY		DATE SVIRATJAPOL 2006/08/09		
1 PLACE ± ---	± ---	PMEECHAI	2006/08/09							
		ANGULAR ± ---°		MATERIAL NO.		DOCUMENT NO.		SHEET NO.		
		DRAFT WHERE APPLICABLE MUST REMAIN WITHIN DIMENSIONS		SEE CHART		SD-24483-001		2 OF 3		
				SIZE $\triangle_{A_4}$		THIS DRAWING CONTAINS INFORMATION THAT IS PROPRIETARY TO MOLEX INCORPORATED AND SHOULD NOT BE USED WITHOUT WRITTEN PERMISSION				

7 6 5 4 3 2 1

CHART A DIMENSIONS MM. (INCHES)				SHIPPED ON 100 FT. REELS	
ENG. NO.	NO.OF COND.	DIMENSION S	DIM. W (REF)	ENGINEERING NO.	ORDER NO.
24483-02	2	1.50±0.18 (.059±.007)	3.00 (.118)	24483-02-100B	82-26-3802
24483-03	3	3.00±0.18 (.118±.007)	4.50 (.177)	▲ -03- ▲	▲ 03
24483-04	4	4.50±0.18 (.177±.007)	6.00 (.236)	▲ -04- ▲	▲ 04
24483-05	5	6.00±0.18 (.236±.007)	7.50 (.295)	▲ -05- ▲	▲ 05
24483-06	6	7.50±0.18 (.295±.007)	9.00 (.354)	▲ -06- ▲	▲ 06
24483-07	7	9.00±0.18 (.354±.007)	10.50 (.413)	▲ -07- ▲	▲ 07
24483-08	8	10.50±0.18 (.413±.007)	12.00 (.472)	▲ -08- ▲	▲ 08
24483-09	9	12.00±0.18 (.472±.007)	13.50 (.531)	▲ -09- ▲	▲ 09
24483-10	10	13.50±0.18 (.531±.007)	15.00 (.591)	▲ -10- ▲	▲ 10
24483-11	11	15.00±0.18 (.591±.007)	16.50 (.650)	▲ -11- ▲	▲ 11
24483-12	12	16.50±0.18 (.650±.007)	18.00 (.709)	▲ -12- ▲	▲ 12
24483-13	13	18.00±0.18 (.709±.007)	19.50 (.767)	▲ -13- ▲	▲ 13
24483-14	14	19.50±0.18 (.768±.007)	21.00 (.827)	▲ -14- ▲	▲ 14
24483-15	15	21.00±0.18 (.827±.007)	22.50 (.886)	▼ -15- ▼	▼ 15

ENGINEERING NO.

24483-XX-XXXX

A B C D

A : CABLE 1.50mm. (.059") CENTERS 26AWG STRANDED TOPCOATED

B : CONDUCTOR SIZE ( AVAILABILITY 2 THROUGH 15 )

C : CABLE LENGTH 100FT. (30.48M.)

D : A = INCHES

B = FEET

SEE CHANGE DETAIL EC NO: THL2008-0015 DRWN:CPANSAKHOM 2007/11/28 CHKD:DNARINTARA 2007/11/29 APPR:SVIRATJAPOL 2007/12/04	DESCRIPTION REV	QUALITY SYMBOLS	GENERAL TOLERANCES (UNLESS SPECIFIED)	DIMENSION STYLE MM/IN	SCALE NTS	DESIGN UNITS INCH	THIRD ANGLE PROJECTION																										
		= =	<table border="1"> <tr> <th></th> <th>mm</th> <th>INCH</th> </tr> <tr> <td>4 PLACES</td> <td>± ---</td> <td>± ---</td> </tr> <tr> <td>3 PLACES</td> <td>± ---</td> <td>± ---</td> </tr> <tr> <td>2 PLACES</td> <td>± ---</td> <td>± ---</td> </tr> <tr> <td>1 PLACE</td> <td>± ---</td> <td>± ---</td> </tr> </table>		mm	INCH	4 PLACES	± ---	± ---	3 PLACES	± ---	± ---	2 PLACES	± ---	± ---	1 PLACE	± ---	± ---	<table border="1"> <tr> <th>mm</th> <th>INCH</th> </tr> <tr> <td>4 PLACES</td> <td>± ---</td> </tr> <tr> <td>3 PLACES</td> <td>± ---</td> </tr> <tr> <td>2 PLACES</td> <td>± ---</td> </tr> <tr> <td>1 PLACE</td> <td>± ---</td> </tr> </table>	mm	INCH	4 PLACES	± ---	3 PLACES	± ---	2 PLACES	± ---	1 PLACE	± ---	DRAWN BY CPANSAKHOM DATE 2006/08/09 CHECKED BY PMEECHAI DATE 2006/08/09 APPROVED BY SVIRATJAPOL DATE 2006/08/09	TITLE		
			mm	INCH																													
		4 PLACES	± ---	± ---																													
3 PLACES	± ---	± ---																															
2 PLACES	± ---	± ---																															
1 PLACE	± ---	± ---																															
mm	INCH																																
4 PLACES	± ---																																
3 PLACES	± ---																																
2 PLACES	± ---																																
1 PLACE	± ---																																
		ANGULAR ± ---°	DRAFT WHERE APPLICABLE MUST REMAIN WITHIN DIMENSIONS	SEE CHART	MOLEX INCORPORATED	SD-24483-001	3 OF 3																										
				SIZE A 4	THIS DRAWING CONTAINS INFORMATION THAT IS PROPRIETARY TO MOLEX INCORPORATED AND SHOULD NOT BE USED WITHOUT WRITTEN PERMISSION																												

6 5 4 3 2 1