

PLEASE CHECK WWW.MOLEX.COM FOR LATEST PART INFORMATION

Part Number: [0003062044](#)
Status: **Active**
Overview: [standard_062](#)
Description: 1.57mm (.062") Diameter Standard .062 Pin and Socket Plug Housing, Dual Row, without Panel Mount Ears, PA Polyamide Nylon 6/6, UL 94V-2, 4 Circuits

Documents:

[3D Model](#) [Drawing \(PDF\)](#)
[Packaging Specification \(PDF\)](#) [RoHS Certificate of Compliance \(PDF\)](#)

Agency Certification

CSA LR19980
 UL E29179

General

Product Family Crimp Housings
 Series [2004](#)
 Overview [standard_062](#)
 Product Name Standard .062"

Physical

Circuits (maximum) 4
 Circuits Detail (2 x 2)
 Color - Resin Natural
 Flammability 94V-2
 Gender Male
 Glow-Wire Compliant No
 Lock to Mating Part Yes
 Material - Resin Nylon
 Number of Rows 2
 Packaging Type Bag
 Panel Mount No
 Pitch - Mating Interface (in) 0.145 In
 Pitch - Mating Interface (mm) 3.68 mm
 Polarized to Mating Part Yes
 Stackable No
 Temperature Range - Operating -40°C to +105°C

Electrical

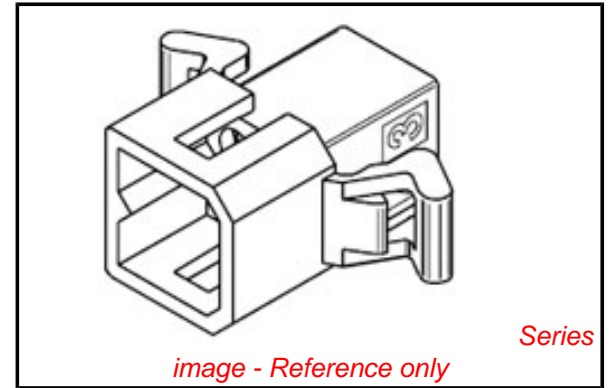
Current - Maximum per Contact 5A

Material Info

Old Part Number 2004-P1

Reference - Drawing Numbers

Sales Drawing SD-2004-*



EU RoHS

ELV and RoHS Compliant
REACH SVHC Contains SVHC: No
Halogen-Free Status

China RoHS



Not Reviewed

Need more information on product environmental compliance?

Email productcompliance@molex.com
 For a multiple part number RoHS Certificate of Compliance, [click here](#)

Please visit the [Contact Us](#) section for any non-product compliance questions.

Search Parts in this Series

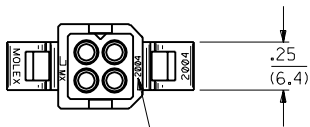
[2004Series](#)

Mates With

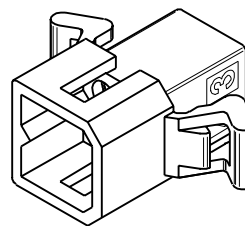
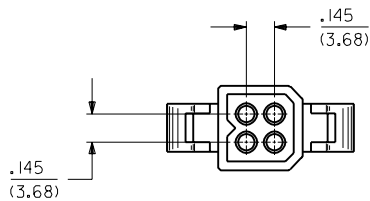
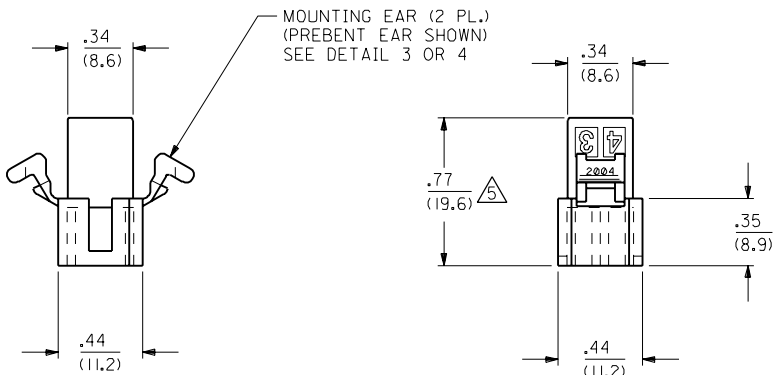
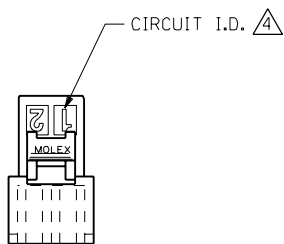
[03-06-1043](#) Panel Mount Receptacle,
[03-06-1044](#) Free Hanging Receptacle

Use With

[1560](#) male crimp terminals, [1561](#) female crimp terminals, [4559](#) , [4529](#) , [2190](#) , [2189](#) , [1787](#) female crimp terminals, [1786](#) male crimp terminals, [1854](#) male crimp terminals, [1855](#) female crimp terminals, [1778](#) male PC tail terminals, [1779](#) female PC tail terminals



ENG. NO. LOCATION FOR PARTS W/O MTC. EARS



PLUG HOUSING

K	3	K	OBsolete P/N UCR2002-0270 COMERC 01/10/1
J2	1	I	X-REMOVE PER ECN U3 0816 GC 5/25/93 RW
J1	1	I	X-RELEASE PER ECN U3 0769 GC 5/18/93 RW
J	1	I	REV. PER ECN ECN U2-1825 AFG 92-12-18 RW
I	2	I	REDRAWN & REV'D. ON CAD. ECR U1 1774 GC 8/27/91
K	1	K	
MFG. SH.	REV.	LTR.	REVISIONS

REVISE ONLY ON CAD SYSTEM

TITLE: **PLUG AND RECEPTACLE HOUSINGS, 4 CIRCUIT .062/(1.57) DIA.**

DATE: 8/27/91

MOLEX INCORPORATED U.S.A.

FILE NAME: H2004C4 504

SCALE: 2: 1

DRWG. NO.: SD-2004-*

DRWG. BY: GC

CHK'D BY: RW

APP'D BY: RS

THIS DRAWING CONTAINS INFORMATION THAT IS PROPRIETARY TO MOLEX INC. AND SHOULD NOT BE USED WITHOUT WRITTEN PERMISSION.

