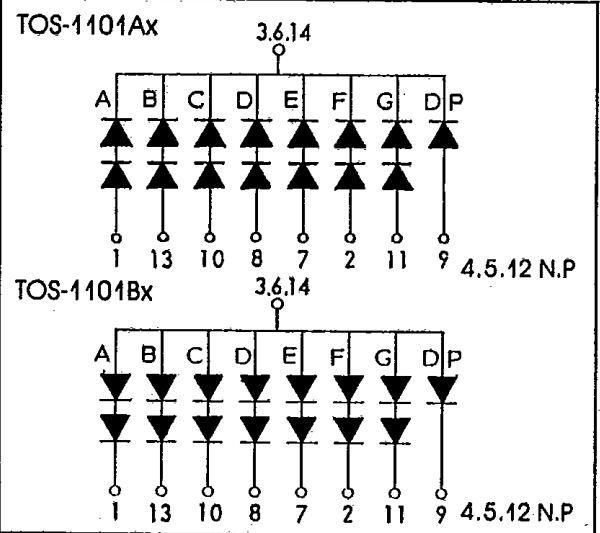
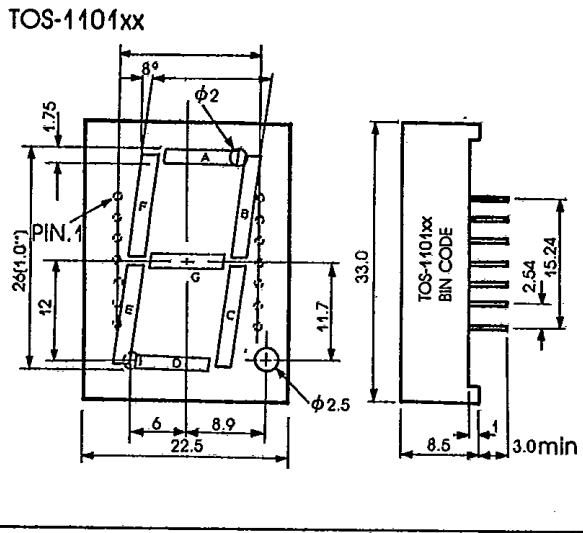


1.00 INCH SINGLE DIGIT NUMERIC DISPLAYS

Series	Model No.	Material	Color	C.C. or C.A.
TOS-1101Ax	TOS-1101AR	GaAsP/GaP	RED	Common
	TOS-1101AH	GaAsP/GaP	H-RED(EFF)	
	TOS-1101AG	GaP	GREEN	
	TOS-1101AY	GaAsP/GaP	YELLOW	Cathode
	TOS-1101AE	GaAsP/GaP	ORANGE	
TOS-1101Bx	TOS-1101BR	GaAsP/GaP	RED	Common
	TOS-1101BH	GaAsP/GaP	H-RED(EFF)	
	TOS-1101BG	GaP	GREEN	
	TOS-1101BY	GaAsP/GaP	YELLOW	Anode
	TOS-1101BE	GaAsP/GaP	ORANGE	



Series	Model No.	Material	Color	C.C. or C.A.
TOS-1105Ax	TOS-1105AR	GaAsP/GaP	RED	Common
	TOS-1105AH	GaAsP/GaP	H-RED(EFF)	
	TOS-1105AG	GaP	GREEN	
	TOS-1105AY	GaAsP/GaP	YELLOW	Cathode
	TOS-1105AE	GaAsP/GaP	ORANGE	
TOS-1105Bx	TOS-1105BR	GaAsP/GaP	RED	Common
	TOS-1105BH	GaAsP/GaP	H-RED(EFF)	
	TOS-1105BG	GaP	GREEN	
	TOS-1105BY	GaAsP/GaP	YELLOW	Anode
	TOS-1105BE	GaAsP/GaP	ORANGE	

