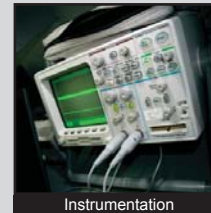
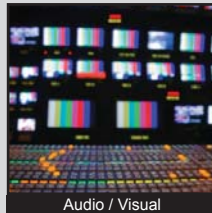


ANTI-VANDAL SWITCHES  
 DETECTOR SWITCHES  
 DIP SWITCHES  
 KEYLOCK SWITCHES  
 NAVIGATION SWITCHES  
 PUSHBUTTON SWITCHES  
 ROCKER SWITCHES  
 ROTARY SWITCHES  
 SLIDE SWITCHES  
 SNAP ACTION SWITCHES  
 TACTILE SWITCHES  
 TOGGLE SWITCHES  
 CAP OPTIONS



## APPLICATIONS / MARKETS



# RoHS

## SPECIFICATIONS

**Electrical Rating:** 50mA, 12VDC  
**Life Expectancy:** up to 200,000 Cycles  
**Contact Resistance:** 100mΩ Max.  
**Insulation Resistance:** 100MΩ Min. at 500VDC  
**Dielectric Strength:** 250VAC for 1 Minute  
**Operating Temperature:** -25°C to 70°C  
**Operating Force:** 160gf ± 50gf (200,000 cycles)  
 260gf ± 50gf (100,000 cycles)  
 320gf ± 80gf, 520 ± 130gf (50,000 cycles)  
**Travel:** 0.35mm ± 0.10mm  
**Function:** SPST, Off-(On), Momentary

## FEATURES & BENEFITS

- Up to 200,000 cycle life expectancy
- Multiple actuator options
- Multiple force options

## PART NUMBER CONFIGURATOR

Series	Model	Actuator (L Dimension)	Force	Plating
TL	3300	A - 7.30 (3.8mm Sq.) C - 8.50 D - 4.30	F160 - 160 grams F260 - 260 grams F320 - 320 grams F520 - 520 grams	Q - Silver

Specifications subject to change without notice



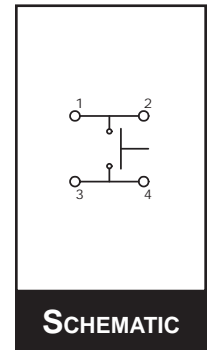
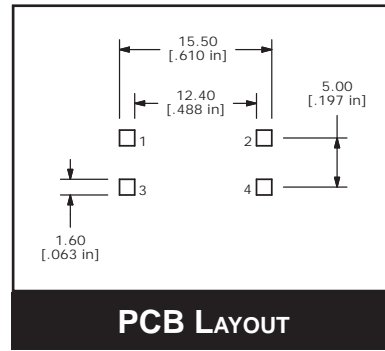
**E-SWITCH®**



www.e-switch.com

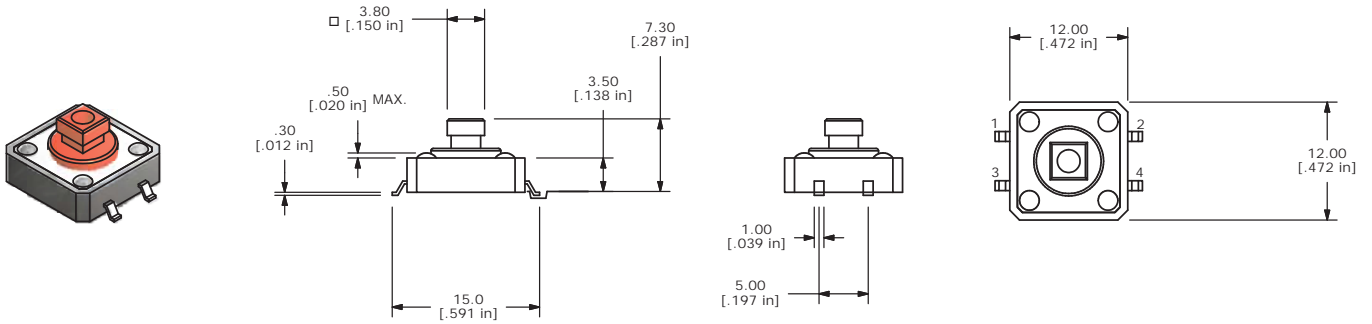
800.867.2717

1

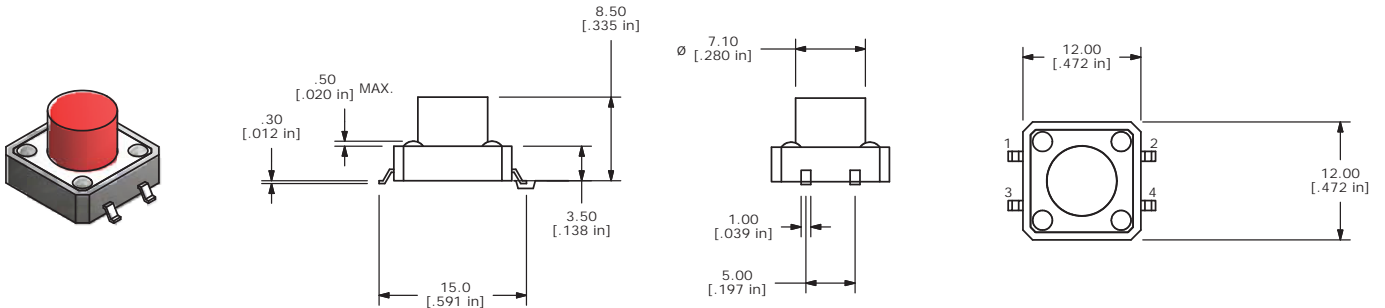


- ANTI-VANDAL SWITCHES
- DETECTOR SWITCHES
- DIP SWITCHES
- KEYLOCK SWITCHES
- NAVIGATION SWITCHES
- PUSHBUTTON SWITCHES
- ROCKER SWITCHES
- ROTARY SWITCHES
- SLIDE SWITCHES
- SNAP ACTION SWITCHES
- TACTILE SWITCHES
- TOGGLE SWITCHES
- CAP OPTIONS

## “A” ACTUATOR



## “C” ACTUATOR



## “D” ACTUATOR

