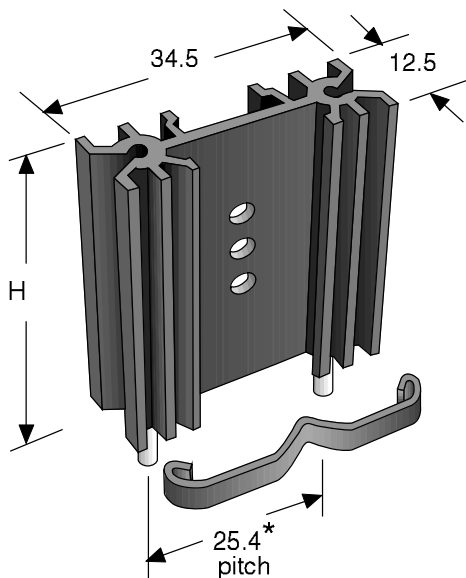


SW series

A range of compact, vertical mounting extruded heatsinks with solderable fixing pins*. Designed to accommodate a single TO220 package via a clip, available separately, or mounting holes. Choice of thermal resistance.

*SW25-3 & SW38-3 have no fixing pins



Th. Res.	Height (H)	Device Mtg	Manf. Part No. & Anglia Order Code
12.0°C/W	19mm	Clip	SW19-2
11.4°C/W	25mm	Clip	SW25-2
11.4°C/W	25mm	Holes (2)	SW25-3
11.4°C/W	25mm	Holes (2)	SW25-4
10.2°C/W	38mm	Clip	SW38-2
10.2°C/W	38mm	Holes (3)	SW38-3
10.2°C/W	38mm	Holes (3)	SW38-4
9.3°C/W	45mm	Clip	SW45-2
8.8°C/W	50mm	Clip	SW50-2
8.8°C/W	50mm	Holes (3)	SW50-4
7.0°C/W	63mm	Clip	SW63-2
7.0°C/W	63mm	Holes (3)	SW63-4
Device retaining clip		—	5901