

Radial Leads/SkyCap®



GENERAL INFORMATION

AVX SR Series

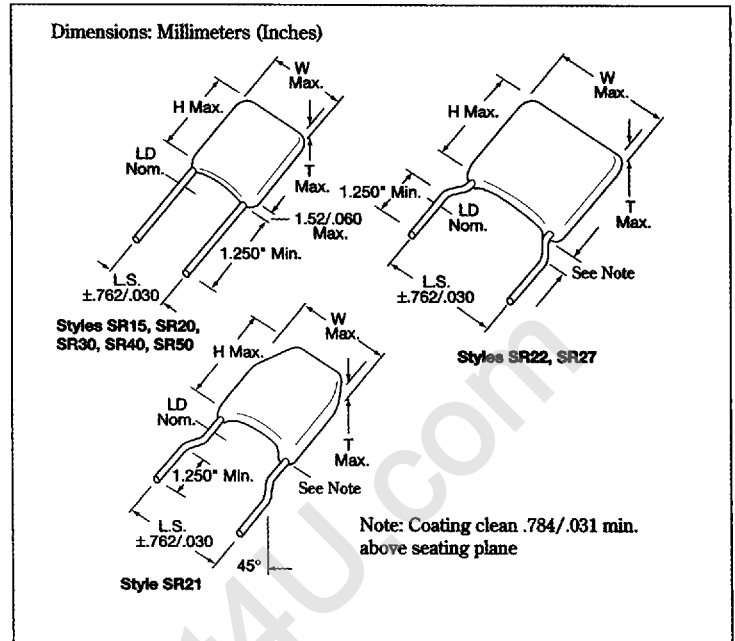
Conformally Coated Radial Leaded MLC

Temperature Coefficients: NP0, X7R, Z5U

200, 100, 50 Volts (300V, 400V & 500V also available)

Case Material: Epoxy

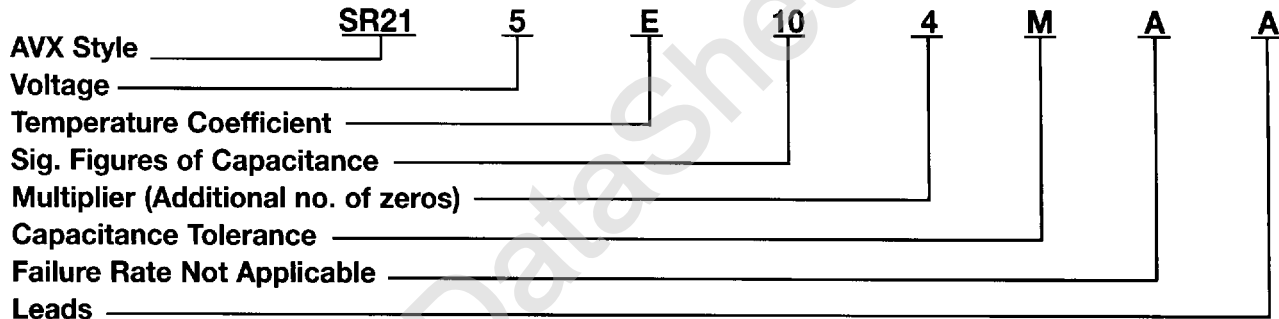
Lead Material: Solderable



HOW TO ORDER

AVX Styles: SR15, SR20, SR21, SR22, SR27, SR30, SR40, SR50

Part Number Example



Part Number Codes

Voltages: 50V = 5, 100V = 1, 200V = 2,
300V = 9, 400V = 8, 500V = 7

Temp. Coefficient: NP0 = A, X7R = C, Z5U = E

Sig. Figures of Capacitance and Multiplier:

First two digits are the significant figures of capacitance. Third digit indicates the additional number of zeros. For example, order 100,000 pF as 104. (For values below 10pF, use "R" in place of decimal point, e.g., 1R4 = 1.4 pF).

Capacitance Tolerances:

NP0: C = ±.25pF, D = ±.5pF, F = ±1.0% (>50 pF only),
G = ±2.0% (>25 pF only), J = ±5%, K = ±10%

X7R: J = ±5%, K = ±10%, M = ±20%

Z5U: M = ±20%, Z = +80%, -20%

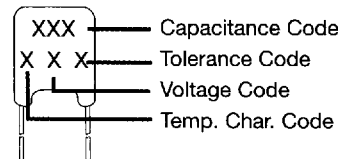
Tolerance Codes F and G are not available in SR15.

Failure Rate: A = Not Applicable

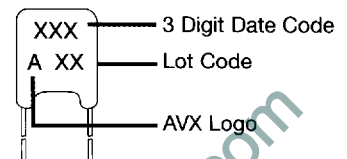
Leads: T = Trimmed Leads, .230" ± .030"
A = Long Leads, 1.25" minimum

MARKING

FRONT



BACK



PACKAGING REQUIREMENTS

	Quantity per Bag
SR15, 20, 21, 22, 27, 30	1000 Pieces
SR40, 50	500 Pieces

Note: SR15, SR20, SR21, SR30, and SR40 available on tape and reel per EIA specifications RS-468. See Pages 24 and 25.

NP0 Dielectric

SIZE AND CAPACITANCE SPECIFICATIONS

EIA Characteristic

Dimensions: Millimeters (Inches)

AVX Style	SR15	SR20	SR21	SR22	SR27	SR30	SR40	SR50														
AVX "Insertable"	SR07	SR29	SR59	N/A	N/A	SR65	SR75	N/A														
Width (W)	3.81 (.150)	5.08 (.200)	5.08 (.200)	5.08 (.200)	6.604 (.260)	7.62 (.300)	10.16 (.400)	12.70 (.500)														
Height (H)	3.81 (.150)	5.08 (.200)	5.08 (.200)	5.08 (.200)	6.35 (.250)	7.62 (.300)	10.16 (.400)	12.70 (.500)														
Thickness (T)	2.54 (.100)	3.175 (.125)	3.175 (.125)	3.175 (.125)	4.06 (.160)	3.81 (.150)	3.81 (.150)	5.08 (.200)														
Lead Spacing (L.S.)	2.54 (.100)	2.54 (.100)	5.08 (.200)	6.35 (.250)	7.62 (.300)	5.08 (.200)	5.08 (.200)	10.16 (.400)														
Lead Diameter (L.D.)	.508 (.020)	.508 (.020)	.508 (.020)	.508 (.020)	.508 (.020)	.508 (.020)	.508 (.020)	.635 (.025)														
Cap. in.* Industry Preferred Values in Blue	WVDC			WVDC			WVDC			WVDC			WVDC			WVDC			WVDC			
	200	100	50	200	100	50	200	100	50	200	100	50	200	100	50	200	100	50	200	100	50	
1.0-9.9	SR151A1R0DAA																					
10	SR151A100KAA	■																				
15	SR.....A150KAA																					
22	SR.....A220KAA																					
33	SR.....A330KAA			▨																		
39	SR.....A390KAA			▨																		
47	SR.....A470KAA			▨																		
68	SR.....A680KAA			▨																		
100	SR151A101KAA	■																				
150	SR.....A151KAA			▨																		
220	SR.....A221KAA			▨																		
330	SR.....A331KAA			▨																		
390	SR.....A391KAA																					
470	SR.....A471KAA																					
680	SR.....A681KAA																					
1000	SR211A102KAA		■			■		■		■												
1500	SR.....A152KAA		■			■		■		■												
2200	SR.....A222KAA		■			■		■		■												
3900	SR.....A392KAA																					
4700	SR.....A472KAA																					
6800	SR.....A682KAA																					
8200	SR.....A822KAA																					
10,000	SR305A103KAA													■								
15,000	SR.....A153KAA													■								
22,000	SR.....A223KAA																					
33,000	SR.....A333KAA																					
39,000	SR.....A393KAA																					
47,000	SR.....A473KAA																					
68,000	SR.....A683KAA																					
100,000	SR.....A104KAA																					

For other styles, voltages, tolerances and lead lengths see Part No. Codes or contact factory.

*Other capacitance values available upon special request.

■ = Industry preferred values

▨ = Available in tight tolerances only

X7R Dielectric

SIZE AND CAPACITANCE SPECIFICATIONS

EIA Characteristic

Dimensions: Millimeters (Inches)

AVX Style	SR15	SR20	SR21	SR22	SR27	SR30	SR40	SR50						
AVX "Insertable"	SR07	SR29	SR59	N/A	N/A	SR65	SR75	N/A						
Width (W)	3.81 (.150)	5.08 (.200)	5.08 (.200)	5.08 (.200)	6.604 (.260)	7.62 (.300)	10.16 (.400)	12.70 (.500)						
Height (H)	3.81 (.150)	5.08 (.200)	5.08 (.200)	5.08 (.200)	6.35 (.250)	7.62 (.300)	10.16 (.400)	12.70 (.500)						
Thickness (T)	2.54 (.100)	3.175 (.125)	3.175 (.125)	3.175 (.125)	4.06 (.160)	3.81 (.150)	3.81 (.150)	5.08 (.200)						
Lead Spacing (L.S.)	2.54 (.100)	2.54 (.100)	5.08 (.200)	6.35 (.250)	7.62 (.300)	5.08 (.200)	5.08 (.200)	10.16 (.400)						
Lead Diameter (L.D.)	.508 (.020)	.508 (.020)	.508 (.020)	.508 (.020)	.508 (.020)	.508 (.020)	.508 (.020)	.635 (.025)						
Cap. in.* Industry Preferred Values in Blue	WVDC 100 50		WVDC 100 50		WVDC 100 50		WVDC 100 50		WVDC 100 50		WVDC 100 50		WVDC 100 50	
470	SR.....C471KAA													
1000	SR155C102KAA													
1500	SR.....C152KAA													
2200	SR.....C222KAA													
3300	SR.....C332KAA													
4700	SR.....C472KAA													
6800	SR.....C682KAA													
10,000	SR215C103KAA													
15,000	SR.....C153KAA													
22,000	SR.....C223KAA													
33,000	SR.....C333KAA													
47,000	SR.....C473KAA													
68,000	SR.....C683KAA													
100,000	SR215C104KAA													
150,000	SR.....C154KAA													
220,000	SR215C224KAA													
330,000	SR.....C334KAA													
390,000	SR.....C394KAA													
470,000	SR305C474KAA													
1.0 µF	SR305C105KAA													
2.2 µF	SR405C225KAA													
2.7 µF	SR505C275KAA													
4.7 µF	SR505C475KAA													

For other styles, voltages, tolerances and lead lengths see Part No. Codes or contact factory.

*Other capacitance values available upon special request.

■ = Industry preferred values

Z5U Dielectric

SIZE AND CAPACITANCE SPECIFICATIONS

EIA Characteristic

Dimensions: Millimeters (Inches)

AVX Style	SR15	SR20	SR21	SR22	SR27	SR30	SR40	SR50
AVX "Insertable"	SR07	SR29	SR59	N/A	N/A	SR65	SR75	N/A
Width (W)	3.81 (.150)	5.08 (.200)	5.08 (.200)	5.08 (.200)	6.604 (.260)	7.62 (.300)	10.16 (.400)	12.70 (.500)
Height (H)	3.81 (.150)	5.08 (.200)	5.08 (.200)	5.08 (.200)	6.35 (.250)	7.62 (.300)	10.16 (.400)	12.70 (.500)
Thickness (T)	2.54 (.100)	3.175 (.125)	3.175 (.125)	3.175 (.125)	4.06 (.160)	3.81 (.150)	3.81 (.150)	5.08 (.200)
Lead Spacing (L.S.)	2.54 (.100)	2.54 (.100)	5.08 (.200)	6.35 (.250)	7.62 (.300)	5.08 (.200)	5.08 (.200)	10.16 (.400)
Lead Diameter (L.D.)	.508 (.020)	.508 (.020)	.508 (.020)	.508 (.020)	.508 (.020)	.508 (.020)	.508 (.020)	.635 (.025)
Cap. in.* pF	Industry Preferred Values in Blue	WVDC 100 50	WVDC 100 50	WVDC 100 50	WVDC 100 50	WVDC 100 50	WVDC 100 50	WVDC 100 50
10,000	SR155E103ZAA							
47,000	SR.....E473ZAA							
100,000	SR215E104ZAA							
150,000	SR.....E154ZAA							
220,000	SR215E224ZAA							
330,000	SR215E334ZAA							
470,000	SR215E474ZAA							
680,000	SR.....E684ZAA							
1.0 µF	SR305E105ZAA							
1.5 µF	SR.....E155ZAA							
2.2 µF	SR.....E225ZAA							
3.3 µF	SR.....E335ZAA							
4.7 µF	SR.....E475ZAA							

For other styles, voltages, tolerances and lead lengths see Part No. Codes or contact factory.

*Other capacitance values available upon special request.

■ = Industry preferred values

AVX 500 VOLT SKYCAPS**

STYLE*	MAXIMUM CAPACITANCE VALUE	
	NPO	X7R
SR29	900 pF	.015 µF
SR20	1800 pF	.033 µF
SR28 SR59	900 pF	.015 µF
SR13 SR21	1800 pF	.033 µF
SR30 SR61 SR65	7200 pF	.12 µF
SR40 SR75	.015 µF	.27 µF
SR22	1800 pF	.033 µF
SR27	1800 pF	.033 µF
SR76	.015 µF	.27 µF
SR50	.036 µF	.59 µF

*Consult pages 18 and 19 for style sizes.

**Voltage rating based on DWV of 150% of rated voltage.

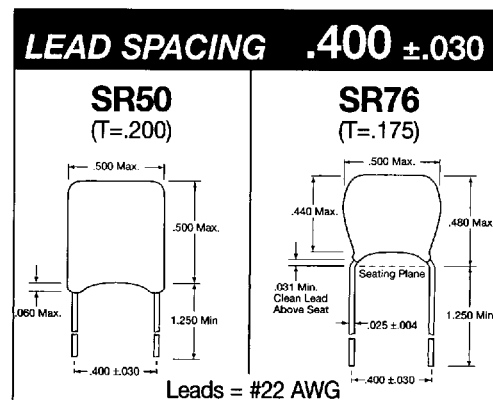
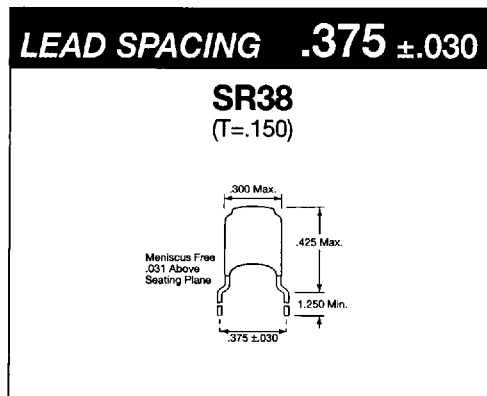
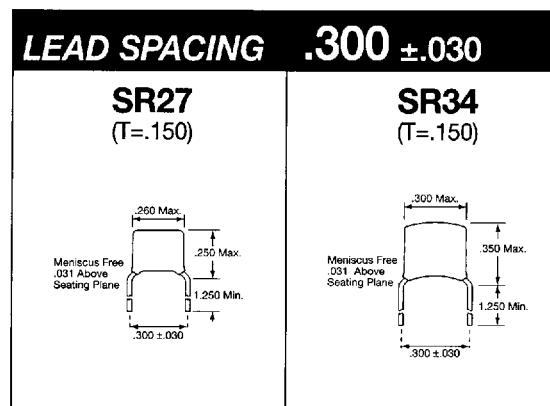
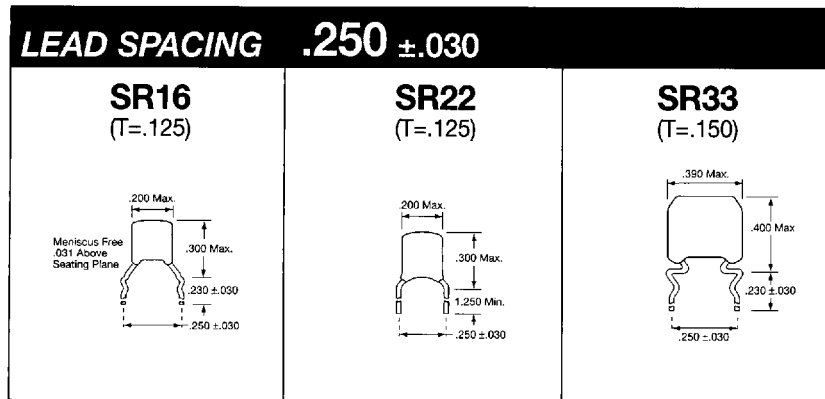
Configurations by Lead Spacing

LEAD SPACING .100 ±.030					Dimensions: Millimeters (Inches)
SR14 (T=.125) 	SR15* (T=.100) 	SR07* (T=.100) 	SR20* (T=.125) 	SR29* (T=.125) 	

LEAD SPACING .200 ±.030				Dimensions: Millimeters (Inches)
SR12* (T=.125) 	SR13* (T=.125) 	SR21* (T=.125) 	SR21-85* (T=.125) 	

LEAD SPACING .200 ±.030						Dimensions: Millimeters (Inches)
SR28* (T=.125) 	SR30* (T=.150) 	SR32* (T=.150) 	SR40* (T=.150) 	SR59* (T=.125) 	SR61 (T=.150) 	
SR63* (T=.150) 	SR65* (T=.150) 	SR67 (T=.125) 	SR75* (T=.150) Leads = #22AWG 	NOTES: <ol style="list-style-type: none"> 1. All leads are #24 AWG unless otherwise noted. 2. Available in tape and reel packaging(**). 3. Other styles are also available, contact factory. 4. (T = XXX) under type designation is maximum thickness in inches. 		

Configurations by Lead Spacing



- NOTES:**
1. All leads are #24 AWG unless otherwise noted.
 2. Available in tape and reel packaging(*)
 3. Other styles are also available, contact factory.
 4. (T = XXX) under type designation is maximum thickness in inches.