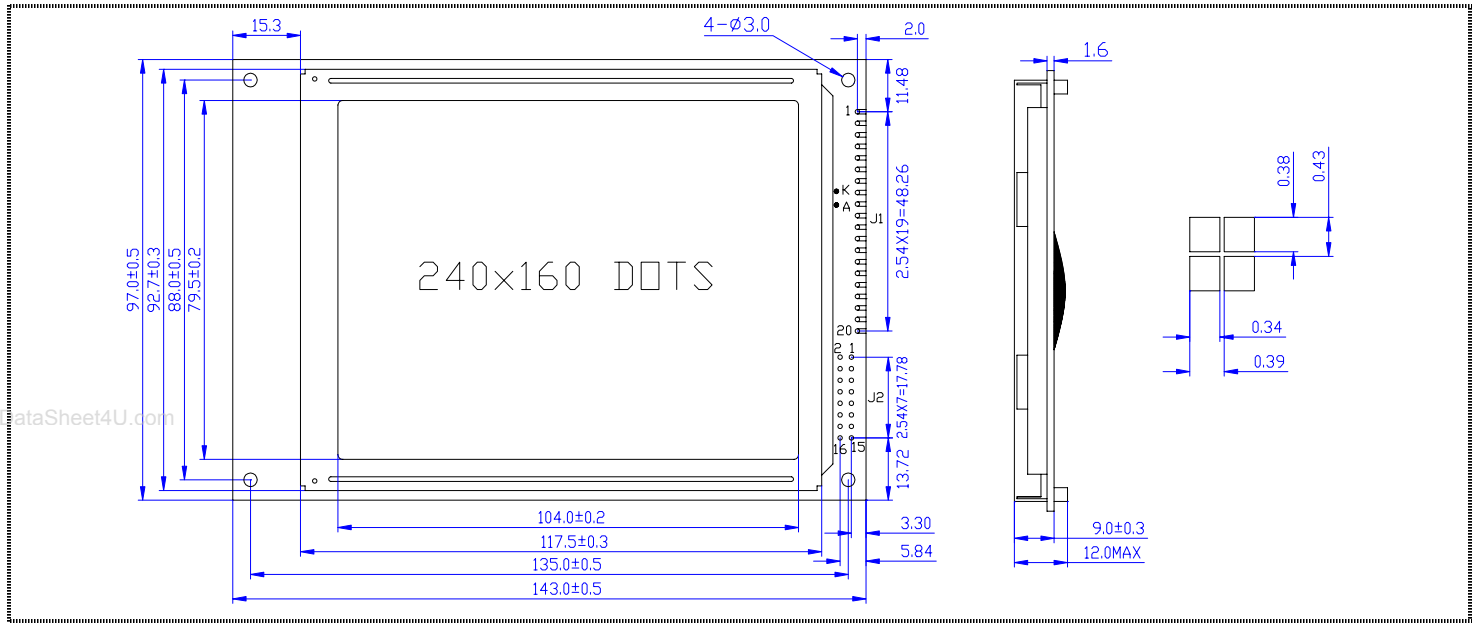


RT240160A-1

SHENZHEN RUIITE ELECTRONIC CO., LTD
 Address: 深圳市宝安区79区西乡流塘107国道1-3栋8楼
 Tel:86-755-27931867, 27931884, 27931806, 27931875
 FAX:86-755-27931864 Postcode:518102
 E-Mail:ruiite168@21cn.com Http://www.ruitelcd.com



MECHANICAL DATA		
Item	Nominal Dimensions	Unit
Module Size(W×H×T)	143.0 × 97.0 × 12.0	mm
Viewing Area(W×H)	104.0 × 79.5	mm
Dot Pitch(W×H)	0.39 × 0.43	mm
Dot Size(W×H)	0.34 × 0.38	mm

PIN CONNECTIONS (J1:SED1335 Controller)			
PIN	Symbol	Level	Function
1	VSS	—	GND(0V)
2	VDD	—	Supply Voltage for Logic(+5V)
3	V0	—	Power Supply for LCD
4	WR	L	Command and data write signal
5	RD	L	Data and status read signal
6	CS	L	Chip Select signal
7	A0	H/L	H:Command; L:Data
8	RES	L	Reset Signal (Active LOW)
9	D0	H/L	Data Bus Line
10	D1	H/L	
11	D2	H/L	
12	D3	H/L	
13	D4	H/L	
14	D5	H/L	
15	D6	H/L	
16	D7	H/L	
17	NC	—	NO Connect
18	VEE	—	Negative Voltage to LCD
19	A	—	Backlight Power (+5V)
20	K	—	Backlight Power (0V)

ABSOLUTE MAXIMUM RATINGS					
Item	Symbol	Min	Type	Max	Unit
Operating Voltage	VDD	4.5	5.0	5.5	V
Operating Current	IDD	20	19	18	mA
LED Voltage	V _{LED}	4.5	5.0	5.5	V
LED Current	I _{LED}	40	65	80	mA
Operating Temp.	Topr	-20	—	+70	
Storage Temp.	Tsto	-30	—	+80	

ELECTRICAL CHARACTERISTICS					
Item	Symbol	Min	Type	Max	Unit
Input Hight Voltage	V _{IH}	0.8VDD	—	VDD	V
Input Low Voltage	V _{IL}	0	—	0.2VDD	V
Output Hight Voltage	V _{OH}	VDD-0.4	—	VDD	V
Output Low Voltage	V _{OL}	0	—	0.4	V

