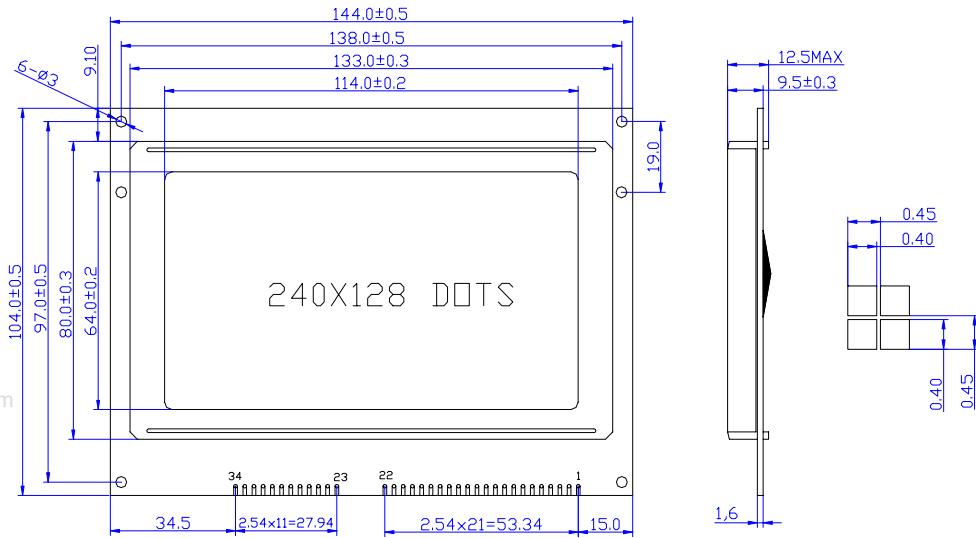


RT240128-6

SHENZHEN RUIITE ELECTRONIC CO., LTD
 Address: 深圳市宝安区79区西乡流塘107国道1-3栋8楼
 Tel: 86-755-27931867, 27931884, 27931806, 27931875
 FAX: 86-755-27931864 Postcode: 518102
 E-Mail: ruite168@21cn.com Http://www.ruitelcd.com



MECHANICAL DATA

Item	Nominal Dimensions	Unit
Module Size(W×H×T)	144.0 × 104.0 × 12.5	mm
Viewing Area(W×H)	114.0 × 64.0	mm
Dot Pitch(W×H)	0.45 × 0.45	mm
Dot Size(W×H)	0.40 × 0.40	mm

PIN CONNECTIONS (T6963C Controller)

PIN	Symbol	Level	Function
1	FG	—	Frame Ground
2	VSS	—	GND(0V)
3	VDD	—	Supply Voltage for Logic(+5V)
4	V0	—	Power Supply for LCD
5	/WR	L	Command and data write signal
6	/RD	L	Data and status read signal
7	CE	L	Chip enable signal
8	C/D	H/L	H:Command; L:Data
9	NC	—	NO Connect
10	RST	L	Reset Signal (Active LOW)
11	DB0	H/L	Data Bus Line
12	DB1	H/L	
13	DB2	H/L	
14	DB3	H/L	
15	DB4	H/L	
16	DB5	H/L	
17	DB6	H/L	
18	DB7	H/L	
19	FS	H/L	Selection of font. H: 6×8; L: 8×8
20	VOUT	—	Negative Voltage to LCD
21	SLA	—	Backlight Power (+5V)
22	SLK	—	Backlight Power (+0V)

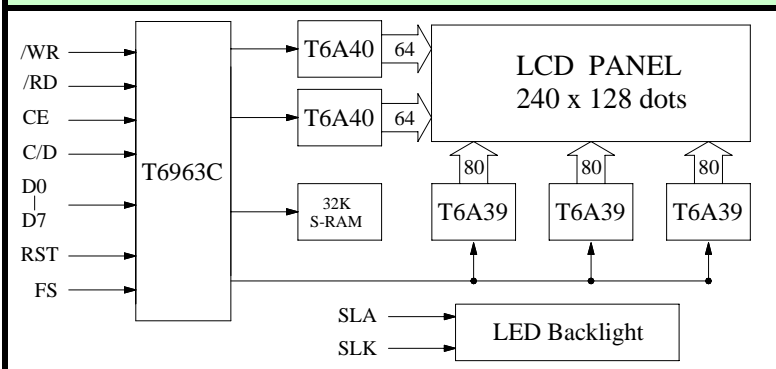
ABSOLUTE MAXIMUM RATINGS

Item	Symbol	Min	Type	Max	Unit
Operating Voltage	VDD	4.5	5.0	5.5	V
Operating Current	IDD	19	24	26	mA
LED Voltage	V _{LED}	4.5	5.0	5.5	V
LED Current	I _{LED}	60	105	150	mA
Operating Temp.	T _{opr}	-20	—	+70	
Storage Temp.	T _{sto}	-30	—	+80	

ELECTRICAL CHARACTERISTICS

Item	Symbol	Min	Type	Max	Unit
Input Hight Voltage	V _{IH}	VDD-2.2	—	VDD	V
Input Low Voltage	V _{IL}	0	—	0.8	V
Output Hight Voltage	V _{OH}	VDD-0.3	—	VDD	V
Output Low Voltage	V _{OL}	0	—	0.3	V

BLOCK DIAGRAM



POWER SUPPLY

