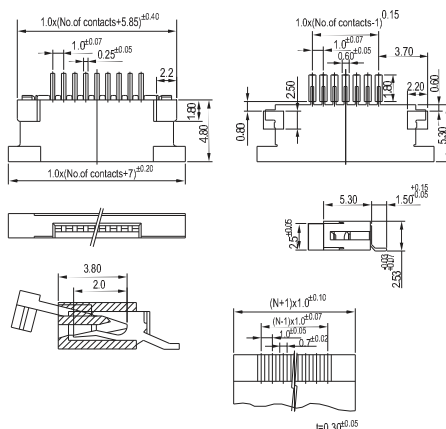


## Horizontal Type Bottom Contact

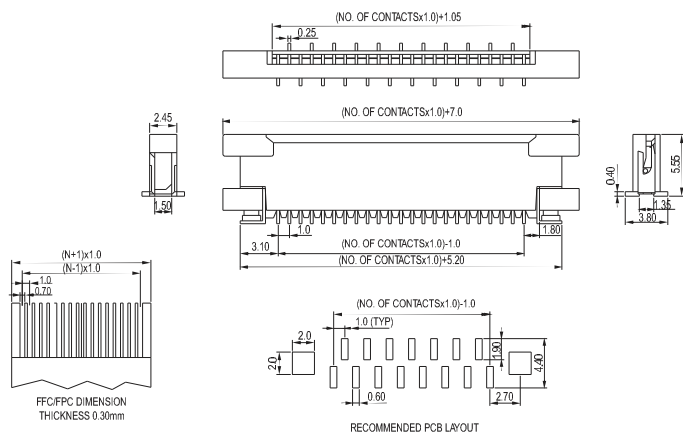
P7045B

www.DataSheet4U.net



## Vertical Type (Contact)

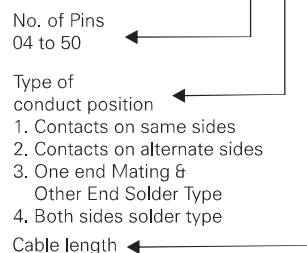
P7045V



## Flat Cable for 1.0mm Pitch FPC connectors

P704C-XX-1-X

Description	ABBR.	Formulation
Pitch	P	1.0
Total Length	Pt	Px(n - 1)
Width	W	Px(n + 1)
Margin	M	P-(Cw x 1/2)
Conduct Width	Cw	0.6
Conduct Thickness	Ct	Typical
Total (cable) Length	L	Typical
Strip Length	S1/S2	4/4
Support Tape Length	S3/S4	8/8
Terminal Thickness	T	0.3



n-No. of conducts

