



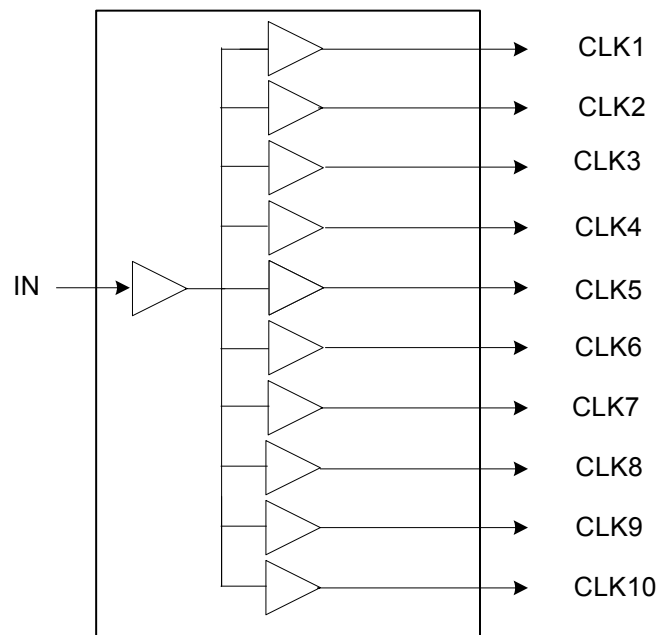
Description

The MK3807-01 is a low skew 3.3 V, 1 to 10 fanout buffer. The large fanout from a single input line reduces loading on the input clock. The TTL level outputs reduce noise levels on the part. Typical applications are clock and signal distribution.

Features

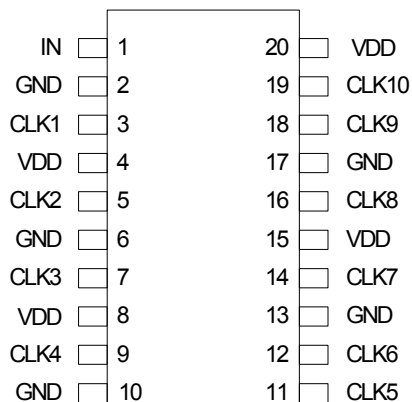
- Packaged in 20-pin SSOP, TSSOP, & SOIC
- Available in Pb (lead) free package
- 1 to 10 fanout buffer
- Maximum skew between outputs of same package 0.35 ns
- Maximum skew between outputs of different packages 0.75 ns
- Max propagation delay of 3.8 ns
- Operating voltage of 3.3 V
- Advanced, low power, CMOS process
- Industrial temperature range -40° C to +85° C
- Hysteresis on all inputs

Block Diagram





Pin Assignment



20 pin SOIC, SSOP, TSSOP

Pin Descriptions

Pin Number	Pin Name	Pin Type	Pin Description
1	IN	Input	Clock input.
2	GND	Power	Connect to ground.
3	CLK1	Output	Clock output.
4	VDD	Power	Connect to +3.3 V.
5	CLK2	Output	Clock output.
6	GND	Power	Connect to ground.
7	CLK3	Output	Clock output.
8	VDD	Power	Connect to +3.3 V.
9	CLK4	Output	Clock output.
10	GND	Power	Connect to ground.
11	CLK5	Output	Clock output.
12	CLK6	Output	Clock output.
13	GND	Power	Connect to ground.
14	CLK7	Output	Clock output.
15	VDD	Power	Connect to +3.3 V.
16	CLK8	Output	Clock output.
17	GND	Power	Connect to ground.
18	CLK9	Output	Clock output.
19	CLK10	Output	Clock output.
20	VDD	Power	Connect to +3.3 V.



External Components

The MK3807-01 requires a minimum number of external components for proper operation.

Decoupling Capacitors

Decoupling capacitors of 0.01 μ F must be connected between VDD and GND, as close to these pins as possible. For optimum device performance, the decoupling capacitors should be mounted on the component side of the PCB. Avoid the use of vias in the decoupling circuit.

Series Termination Resistor

When the PCB trace between the clock outputs and the loads are over 1 inch, series termination should be used. To series terminate a 50 Ω trace (a commonly used trace impedance) place a 33 Ω resistor in series with the clock line, as close to the clock output pin as possible. The nominal impedance of the clock output is 20 Ω .

PCB Layout Recommendations

For optimum device performance and lowest output phase noise, the following guidelines should be observed.

- 1) The 0.01 μ F decoupling capacitors should be mounted on the component side of the board as close to the VDD pins as possible. No vias should be used between the decoupling capacitors and VDD pins. The PCB trace to VDD pin should be kept as short as possible, as should the PCB trace to the ground via.
- 2) To minimize EMI, the 33 Ω series termination resistor, (if needed) should be placed close to the clock output.

Absolute Maximum Ratings

Stresses above the ratings listed below can cause permanent damage to the MK3807-01. These ratings, which are standard values for ICS commercially rated parts, are stress ratings only. Functional operation of the device at these or any other conditions above those indicated in the operational sections of the specifications is not implied. Exposure to absolute maximum rating conditions for extended periods can affect product reliability. Electrical parameters are guaranteed only over the recommended operating temperature range.

Item	Rating
Supply Voltage, VDD	7 V
All Inputs and Outputs	-0.5 V to VDD+0.5 V
Ambient Operating Temperature	-40 to +85°C
Storage Temperature	-65 to +150°C
Junction Temperature	125°C
Soldering Temperature	260°C

Recommended Operation Conditions

Parameter	Min.	Typ.	Max.	Units
Ambient Operating Temperature	-40		+85	°C
Power Supply Voltage (measured in respect to GND)	+3.135	+3.3	+3.465	V



DC Electrical Characteristics

Unless stated otherwise, **VDD = 3.3 V ±5%**, Ambient Temperature -40° C to +85° C

Parameter	Symbol	Conditions	Min.	Typ.	Max.	Units
Operating Voltage	VDD		3.135	3.3	3.465	V
Quiescent Power Supply Current	ICC	VCC=Max VIN=GND or VCC		3	30	μA
		VCC=Max VIN=@TTL HIGH (VCC-0.6 V)		2.0	300	μA
Input High Voltage	V _{IH}	High Level Input pins	2		5.5	V
Input Low Voltage	V _{IL}	Low Level Input pins	-0.5		0.8	V
Output High Voltage	V _{OH}	VCC=min VIN=VIH or VIL I _{OH} = -0.1 mA, I _{OH} = -8 mA	VDD-0.2 2.4	3.0		V
Output Low Voltage	V _{OL}	VCC=min VIN=VIH or VIL I _{OL} = -0.1 mA, I _{OL} = 16 mA I _{OL} = 24 mA			0.2 0.4 0.5	V
Short Circuit Current	I _{OS}	VCC=Max, V _{OUT} =GND	-60	-135	-240	mA
Input Capacitance	C _{IN}	VIN=0V, Note1		5	6.0	pF
Output Capacitance	C _{OUT}	V _{OUT} =0V, Note1		5.5	8.0	pF
Input Hysteresis	V _H			150		mV

Note1: This parameter is not tested.



AC Electrical Characteristics

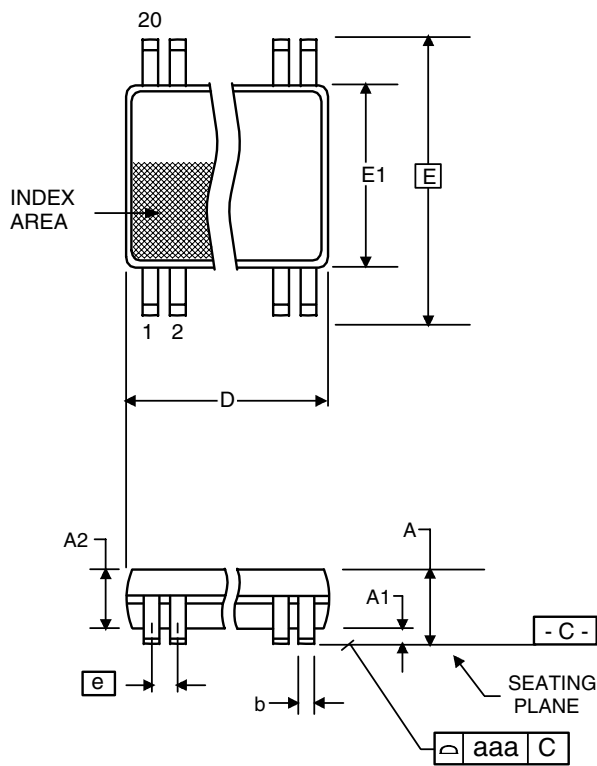
Unless stated otherwise, $V_{DD} = 3.3\text{ V} \pm 5\%$, Ambient Temperature -40°C to $+85^{\circ}\text{C}$

Parameter	Symbol	Conditions	Min.	Typ.	Max.	Units
Skew between outputs of same package	$tsk_{g(0)}$	$CL=50\text{ pF}$, $RL=500\Omega$			0.35	ns
Skew between opposite transitions of same output	$tsk_{(p)}$	$CL=50\text{ pF}$, $RL=500\Omega$			0.35	ns
Propagation Delay IN to ON	tp_{LH}/tp_{HL}	$CL=50\text{ pF}$, $RL=500\Omega$	1.5		3.8	ns
Skew between outputs of different package at same power supply, temperature and speed grade	$tsk_{(t)}$	$CL=50\text{ pF}$, $RL=500\Omega$			0.75	ns
Output Rise Time 0.8 V to 2.0 V	$tr_{(o)}$	$CL=50\text{ pF}$, $RL=500\Omega$			1.5	ns
Output Fall Time 2.0 V to 0.8 V	$tf_{(o)}$	$CL=50\text{ pF}$, $RL=500\Omega$			1.5	ns
Duty Cycle Measured at $V_{DD}/2$	DC	$CL=50\text{ pF}$, $RL=500\Omega$	45		55	%
Test Frequency			1		100	MHz



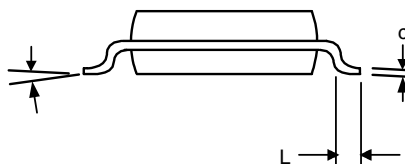
Package Outline and Package Dimensions (20-pin TSSOP, 150 Mil. Narrow Body)

Package dimensions are kept current with JEDEC Publication No. 95



Symbol	Millimeters		Inches*	
	Min	Max	Min	Max
A		1.20		0.047
A1	0.05	0.15	0.002	0.006
A2	0.80	1.05	0.032	0.041
b	0.19	0.30	0.007	0.012
c	0.09	0.20	0.0035	0.008
D	6.40	6.60	0.252	0.260
E	6.40 BASIC		0.252 BASIC	
E1	4.30	4.50	0.169	0.177
e	0.65 Basic		0.0256 Basic	
L	0.45	0.75	0.018	0.030
α	0°	8°	0°	8°
aaa	--	0.10	--	0.004

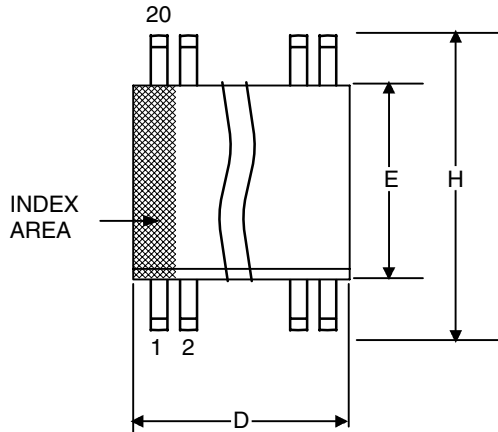
*For reference only. Controlling dimensions in mm.





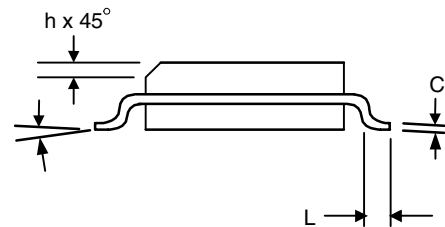
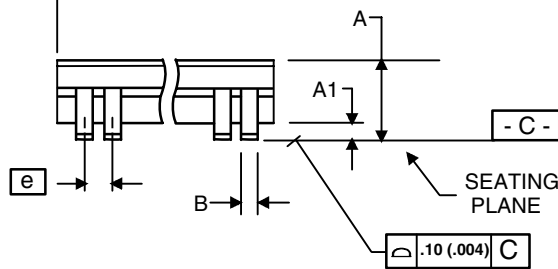
Package Outline and Package Dimensions (20-pin SOIC, 300Mil. Body)

Package dimensions are kept current with JEDEC Publication No. 95



Symbol	Millimeters		Inches*	
	Min	Max	Min	Max
A	--	2.65	--	.104
A1	0.10	--	.0040	--
B	0.33	0.51	.013	.020
C	0.18	0.32	.007	.013
D	12.60	13.00	.496	.512
E	7.40	7.60	.291	.299
e	1.27 BASIC		0.050 BASIC	
H	10.00	10.65	.394	.419
h	0.25	0.75	.010	.029
L	0.40	1.27	.016	.050
α	0°	8°	0°	8°

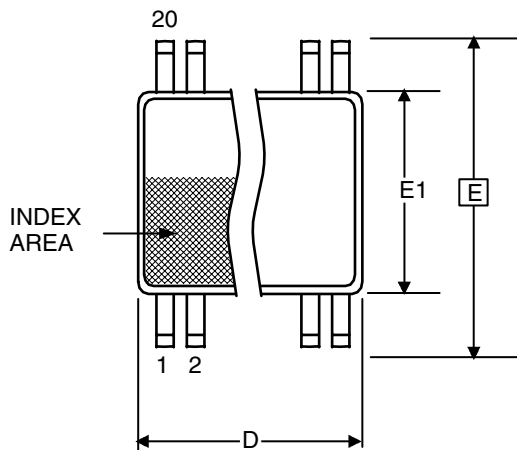
*For reference only. Controlling dimensions in mm.





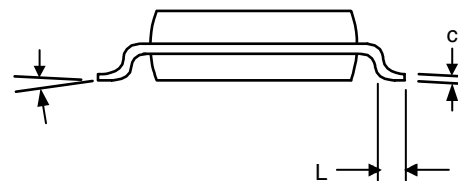
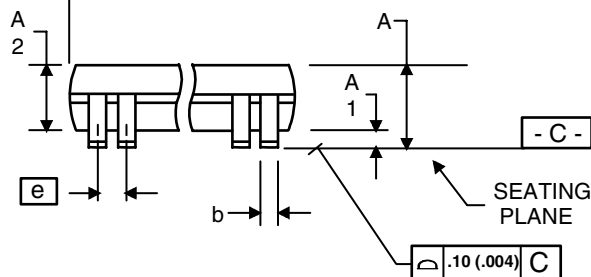
Package Outline and Package Dimensions (20 pin SSOP, 150Mil. Body)

Package dimensions are kept current with JEDEC Publication No. 95



Symbol	Millimeters		Inches*	
	Min	Max	Min	Max
A	1.35	1.75	.053	.069
A1	0.10	0.25	.0040	.010
A2	--	1.50	--	.059
b	0.20	0.30	0.008	0.012
C	0.18	0.25	.007	.010
D	8.55	8.75	.337	.344
E	5.80	6.20	.228	.244
E1	3.80	4.00	.150	.157
e	0.635 Basic		0.025 Basic	
L	0.40	1.27	.016	.050
α	0°	8°	0°	8°

*For reference only. Controlling dimensions in mm.





Ordering Information

Part / Order Number	Marking	Shipping Packaging	Package	Temperature
MK3807-01SI	MK3807-01SI	Tubes	20-pin SOIC	-40 to +85° C
MK3807-01SIT	MK3807-01SI	Tape and Reel	20-pin SOIC	-40 to +85° C
MK3807-01SILF	MK3807-01SILF	Tubes	20-pin SOIC	-40 to +85° C
MK3807-01SILFT	MK3807-01SILF	Tape and Reel	20-pin SOIC	-40 to +85° C
MK3807-01RI	MK3807-01RI	Tubes	20-pin SSOP	-40 to +85° C
MK3807-01RIT	MK3807-01RI	Tape and Reel	20-pin SSOP	-40 to +85° C
MK3807-01RILF	3807-01RILF	Tubes	20-pin SSOP	-40 to +85° C
MK3807-01RILFT	3807-01RILF	Tape and Reel	20-pin SSOP	-40 to +85° C
MK3807-01GI	3807-01GI	Tubes	20-pin TSSOP	-40 to +85° C
MK3807-01GIT	3807-01GI	Tape and Reel	20-pin TSSOP	-40 to +85° C
MK3807-01GILF	380701GIL	Tubes	20-pin TSSOP	-40 to +85° C
MK3807-01GILFT	380701GIL	Tape and Reel	20-pin TSSOP	-40 to +85° C

Parts that are ordered with a "LF" suffix to the part number are the Pb-Free configuration and are RoHS compliant.

While the information presented herein has been checked for both accuracy and reliability, Integrated Circuit Systems (ICS) assumes no responsibility for either its use or for the infringement of any patents or other rights of third parties, which would result from its use. No other circuits, patents, or licenses are implied. This product is intended for use in normal commercial applications. Any other applications such as those requiring extended temperature range, high reliability, or other extraordinary environmental requirements are not recommended without additional processing by ICS. ICS reserves the right to change any circuitry or specifications without notice. ICS does not authorize or warrant any ICS product for use in life support devices or critical medical instruments.