

16 characters x 4 lines STN-LCD module

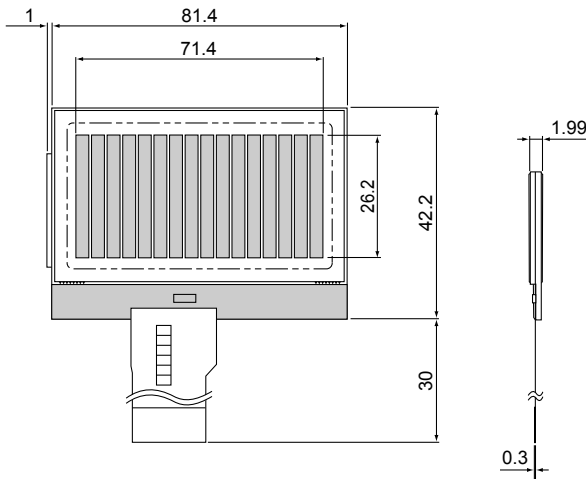
LMG164C2-FPR



■ Features

- Standard F-STN(Black & White) character matrix module.
 - COG mounting is used to produce a thin and light weight module.
- #Character size and dimensions can be customized.

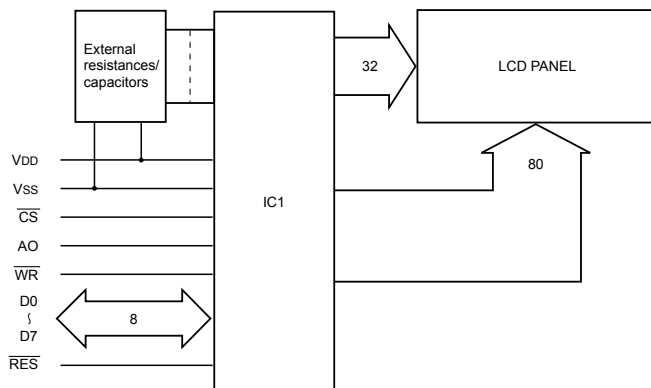
■ Mechanical drawing



■ Specifications

Item	Specifications	Units	Notes
Supply voltage for logic	5±5%	V	
Duty ratio	1:32	-	
Operational temperature range	-10~60	°C	
Storage temperature range	-20~70	°C	
Display type	Reflective Transflective or transmissive types can be designed.		

■ Block Diagram



Specifications showed in this catalog are subject to change without notice.

CASIO. CASIO ELECTRONIC DEVICES CO., LTD.
 Tachikawa center bldg., 2-22-20 Akebono-cho
 Tachikawa-city, Tokyo 190-0012 Japan
 Phone 042-527-6331 Facsimile 042-527-6332

www.DataSheet4U.com