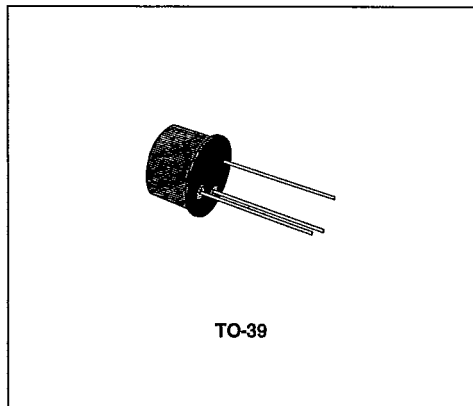
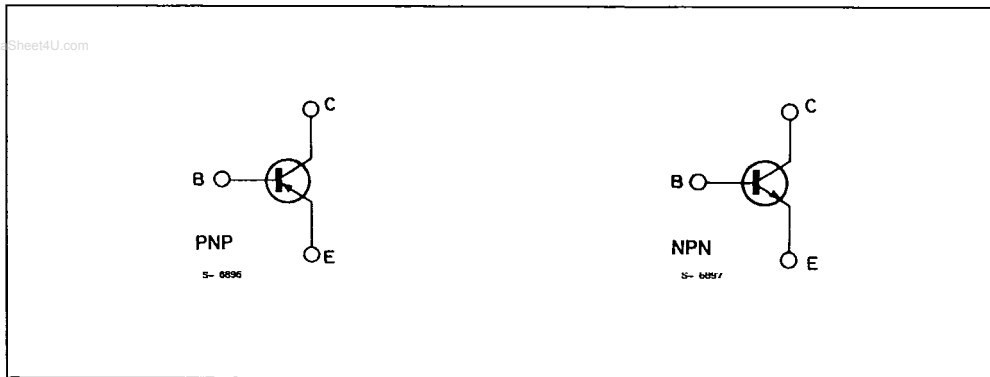


**AUDIO AMPLIFIER**
**DESCRIPTION**

The BC287 is a silicon planar epitaxial PNP transistor in Jedec TO-39 metal case. It is particularly intended for use as audio amplifier.

The complementary NPN type is the BC286.


**INTERNAL SCHEMATIC DIAGRAM**

**ABSOLUTE MAXIMUM RATINGS**

Symbol	Parameter	Value	Unit
$V_{CBO}$	Collector-base Voltage ( $I_E = 0$ )	- 60	V
$V_{CEO}$	Collector-emitter Voltage ( $I_B = 0$ )	- 60	V
$V_{EBO}$	Emitter-base Voltage ( $I_C = 0$ )	- 5	V
$I_C$	Collector Current	- 1	A
$P_{tot}$	Total Power Dissipation at $T_{amb} \leq 25\text{ }^\circ\text{C}$ at $T_{case} \leq 25\text{ }^\circ\text{C}$	0.75	W
		4	W
$T_{stg}, T_j$	Storage and Junction Temperature	- 55 to 175	$^\circ\text{C}$

**THERMAL DATA**

$R_{th\ j-case}$	Thermal Resistance Junction-case	Max	37	°C/W
$R_{th\ j-amb}$	Thermal Resistance Junction-ambient	Max	200	°C/W

**ELECTRICAL CHARACTERISTICS** ( $T_{amb} = 25\text{ °C}$  unless otherwise specified)

Symbol	Parameter	Test Conditions	Min.	Typ.	Max.	Unit
$I_{CBO}$	Collector Cutoff Current ( $I_E = 0$ )	$V_{CB} = -30\text{ V}$		0.1	50	nA
$V_{(BR)CBO}$	Collector-base Breakdown Voltage ( $I_E = 0$ )	$I_C = -10\text{ }\mu\text{A}$	-60			V
$V_{(BR)CEO}^*$	Collector-emitter Breakdown Voltage ( $I_B = 0$ )	$I_C = -10\text{ mA}$	-60			V
$V_{(BR)EBO}$	Emitter-base Breakdown Voltage ( $I_C = 0$ )	$I_E = -10\text{ }\mu\text{A}$	-5			V
$V_{CE(sat)}^*$	Collector-emitter Saturation Voltage	$I_C = -500\text{ mA}$ $I_B = -50\text{ mA}$ $I_C = -1\text{ mA}$ $I_B = -0.1\text{ mA}$		-0.25 -0.7	-1	V V
$V_{BE}^*$	Base-emitter Voltage	$I_C = -500\text{ mA}$ $V_{CE} = -2\text{ V}$		-0.93		V
$h_{FE}^*$	DC Current Gain	$I_C = -100\text{ mA}$ $V_{CE} = -2\text{ V}$ $I_C = -500\text{ mA}$ $V_{CE} = -2\text{ V}$	20	90 60		
$f_T$	Transition Frequency	$I_C = -50\text{ mA}$ $V_{CE} = -5\text{ V}$ $f = 100\text{ MHz}$		150		MHz
$C_{CBO}$	Collector-base Capacitance ( $I_E = 0$ )	$V_{CB} = -10\text{ V}$ $f = 1\text{ MHz}$		13		pF

\* Pulsed : pulse duration = 300  $\mu\text{s}$ , duty cycle = 1 %.