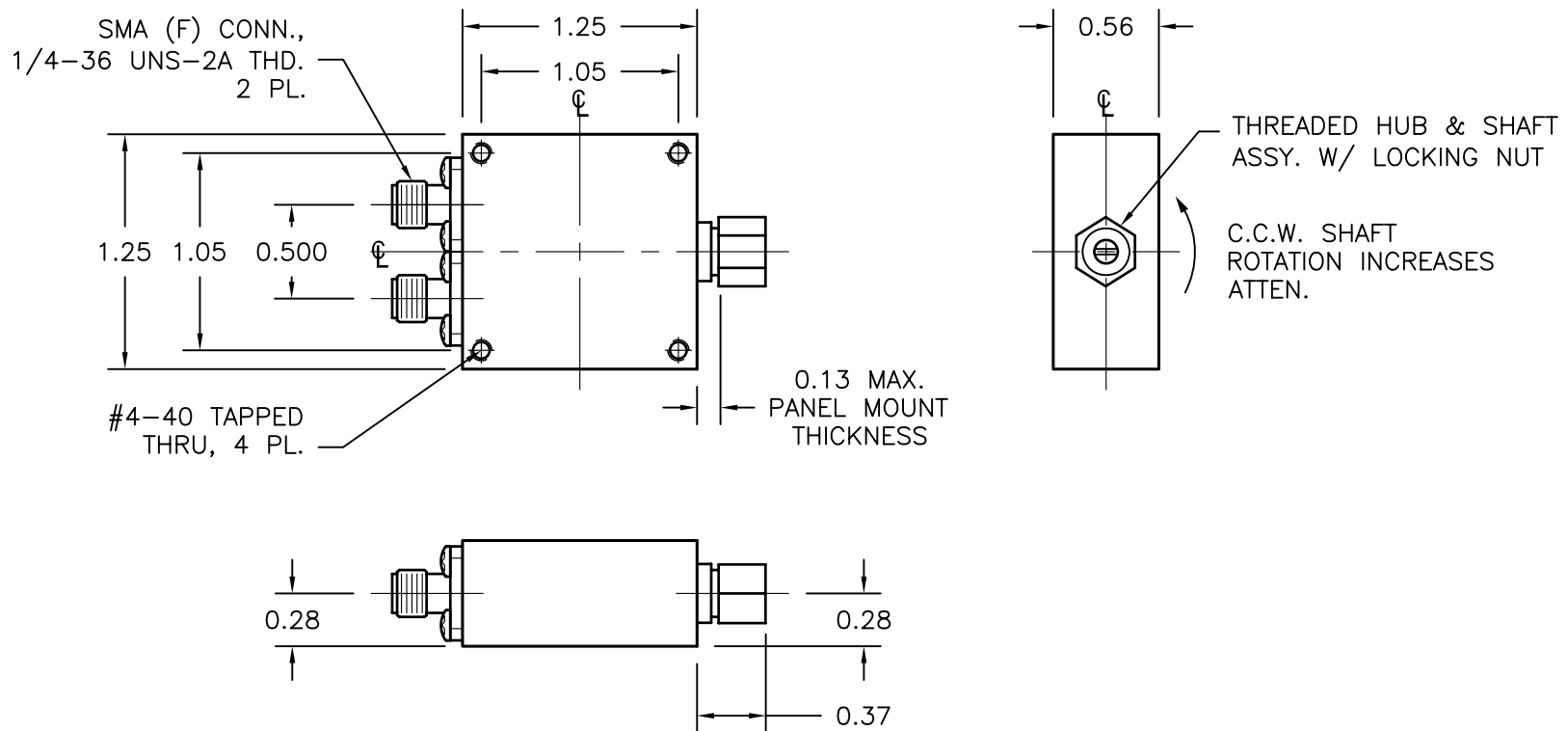


REV A	AUTH RL	DATE 05/17/07	INITIAL RELEASE
----------	------------	------------------	-----------------



## MODEL SPECIFICATIONS

### MECHANICAL

MODEL NUMBER: AFL2X-XX

MATERIAL:


BODY: 6061/T-6 ALUM.

CONNECTORS: STAINLESS STEEL

FINISH: UNIQUE CORROSION RESISTANT 316  
STAINLESS STEEL EPOXY COATING.

### ELECTRICAL

SEE WEBSITE FOR MODEL SPECIFIC DATA.

THIRD ANGLE PROJECTION:		APPROVALS		DATE		 <b>ADVANCED TECHNICAL MATERIALS, INC.</b> TEL: (631) 289-0363 FAX: (631) 289-0358 www.atmmicrowave.com		<small>THE INFORMATION IN THIS DRAWING IS PROPRIETARY AND SHALL NOT BE USED OR DISCLOSED WITHOUT THE PRIOR WRITTEN CONSENT OF ATM, INC. DO NOT SCALE DWG.</small>	
UNLESS OTHERWISE NOTED, DIMENSIONS ARE IN INCHES. TOLERANCES ARE: FRACTIONS: $\pm 1/64$ ANGLES: $\pm 1/2^\circ$				DRAWN <b>RL</b>		05/17/07		<b>OUTLINE, AFL2X-XX</b> <b>VARIABLE ATTEN., LOCKING COLLAR</b>	
BASIC DIMENSION		DECIMALS 2 PLACE 3 PLACE		CHKD.		APRVD.			
UNDER 6"		$\pm .02$ $\pm .005$		MATERIAL <b>SEE NOTES</b>		SIZE <b>A</b> CAGE CODE <b>OR8N4</b> ATM DWG # <b>8139W</b> REVISION <b>A</b>			
6" - 12"		$\pm .03$ $\pm .010$		TREATMENT <b>-</b>		SCALE <b>1 : 1</b> MODEL # <b>AFL2X-XX</b> SHEET <b>1/1</b>			
OVER 12"		$\pm .06$ $\pm .015$		FINISH <b>SEE NOTES</b>					