

**PLEASE CHECK WWW.MOLEX.COM FOR LATEST PART INFORMATION**

**Part Number:** [0003062011](#)  
**Status:** **Active**  
**Overview:** [standard\\_062](#)  
**Description:** 1.57mm (.062") Diameter Standard .062 Pin and Socket Plug Housing, 1 Circuits

**Documents:**

<a href="#">3D Model</a>	<a href="#">Product Specification PS-02-06 (PDF)</a>
<a href="#">Packaging Specification (PDF)</a>	<a href="#">RoHS Certificate of Compliance (PDF)</a>
<a href="#">Drawing (PDF)</a>	

**Agency Certification**

CSA	LR19980
TUV	R72081037
UL	E29179

**General**

Product Family	Crimp Housings
Series	<a href="#">1625</a>
Comments	Polarized to Mating Part
MolexKits	Yes
Overview	<a href="#">standard_062</a>
Product Name	Standard .062"

**Physical**

Breakaway	No
Circuits (maximum)	1
Circuits Detail	1
Color - Resin	Natural
Flammability	94V-2
Gender	Plug
Glow-Wire Compliant	No
Keying to Mating Part	None
Lock to Mating Part	Yes
Material - Resin	Nylon
Number of Rows	1
Packaging Type	Bag
Panel Mount	No
Pitch - Mating Interface (in)	0.145 In
Pitch - Mating Interface (mm)	3.68 mm
Pitch - Term. Interface (in)	0.145 In
Pitch - Term. Interface (mm)	3.96 mm
Polarized to Mating Part	Yes
Stackable	No
Temperature Range - Operating	-40°C to +105°C

**Electrical**

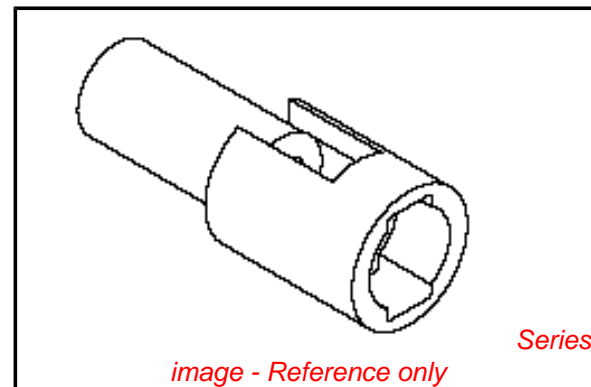
Current - Maximum per Contact	5A
-------------------------------	----

**Material Info**

Old Part Number	1625-1P
-----------------	---------

**Reference - Drawing Numbers**

Packaging Specification	PK-1625-001
Product Specification	PS-02-06
Sales Drawing	SD-1625-1*-* , SD-1625-1P



*image - Reference only*

**EU RoHS**

**ELV and RoHS  
Compliant**

**REACH SVHC**

**Contains SVHC: No  
Halogen-Free**

**Status**

**Halogen-Free**

**Need more information on product  
environmental compliance?**

Email [productcompliance@molex.com](mailto:productcompliance@molex.com)  
 For a multiple part number RoHS Certificate of  
 Compliance, [click here](#)

Please visit the [Contact Us](#) section for any  
 non-product compliance questions.

**China RoHS**



**Search Parts in this Series**

[1625Series](#)

**Mates With**

[1625](#) Receptacle

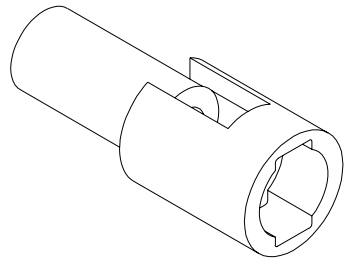
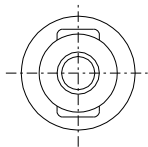
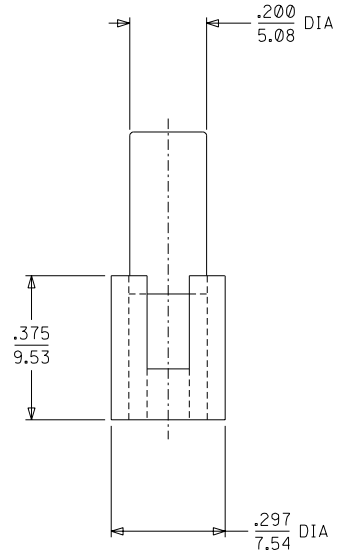
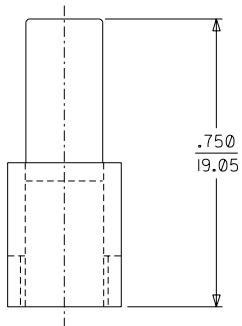
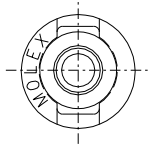
**Use With**

Female Crimp Terminals [1561](#)[Link:4559](#)  
 , [4529](#) , [2190](#) , [2189](#) , [1787](#) , [1855](#) . Male  
 Crimp Terminals [1560](#) , [1786](#) , [1854](#) . [1778](#)  
 Male PC Tail Terminals. [1779](#) Female PC  
 Tail Terminals

This document was generated on 06/07/2010

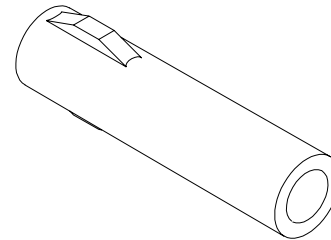
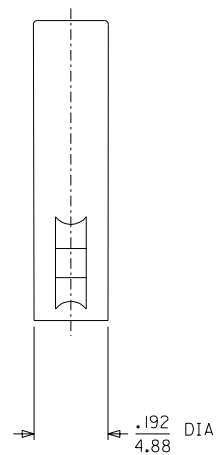
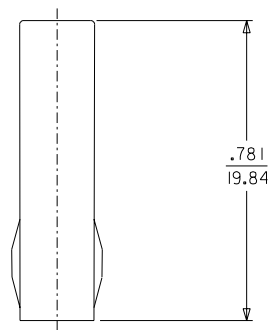
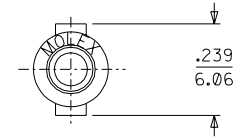
**PLEASE CHECK [WWW.MOLEX.COM](http://WWW.MOLEX.COM) FOR LATEST PART INFORMATION**

### PLUG



### PLUG HOUSING

### RECEPTACLE



### RECEPTACLE HOUSING

REDRAWN ON CAD
EC NO. LUCP2003-2578
DRWN: BSYNNOTT 6/10/03
CHK: BWIRKLUS 6/13/03
APPR: BWIRKLUS 6/16/03
REV H

DESCRIPTION
MAJOR
CRITICAL

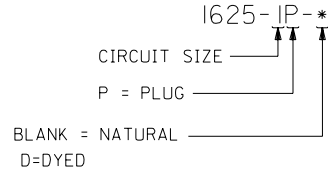
GENERAL TOLERANCES: (UNLESS SPECIFIED)	
4 PLACES	±0.005
3 PLACES	±0.010
2 PLACES	±0.025
1 PLACE	±0.035
ANGULAR: ± 1°	
DRAFT WHERE APPLICABLE MUST REMAIN WITHIN DIMENSIONS	

SCALE 4 : 1
DESIGN UNITS <input type="checkbox"/> mm <input checked="" type="checkbox"/> INCH
DRAWN BY & DATE JBS 6/10/03
CHECKED BY & DATE BW 6/13/03
APPROVED BY & DATE BW 6/16/03
CAD FILENAME SD1625IX1.DGN

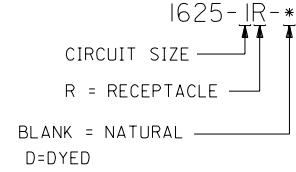
THIRD ANGLE PROJECTION	
TITLE: PLUG & RECEPTACLE HOUSINGS I CIRCUIT, .062/(1.57) DIA. SERIES	
MATERIAL NO. SEE CHART	
DRAWING NO. SD-1625-1*-*	
SHEET NO. 1 OF 2	
THIS DRAWING CONTAINS INFORMATION THAT IS PROPRIETARY TO MOLEX INCORPORATED AND SHOULD NOT BE USED WITHOUT WRITTEN PERMISSION.	
SIZE C	

	13	12	11	10	9	8	7	6	1625	4	3	2	1
	PLUG		RECEPTACLE										
J	PART NO.	ENG. NO.	PART NO.	ENG. NO.									
	03-06-2011	1625-IP	03-06-1011	1625-IR									
	03-06-7011	1625-IP-D	03-06-6011	1625-IR-D									
I													

PLUG LEGEND:



RECEPTACLE LEGEND:



NOTES:

1. MATERIAL: NYLON, PA66, U.L. 94V-2.
2. FINISH: NONE.
3. PRODUCT SPECIFICATION: PS-02-06.
4. PACKAGING SPECIFICATION: NONE.
5. FOR USE WITH .062 SERIES TERMINALS.

	13	12	11	10	9	8	7	6	5	4	3	2	1														
A									DIMENSIONS SHOWN (METRIC) INCH UNLESS OTHERWISE SPECIFIED TOLERANCES: ANGULAR $\pm$ .05° 10 <table border="1"> <tr> <th></th> <th>INCH</th> <th>METRIC</th> </tr> <tr> <td>3 PLACE</td> <td><math>\pm .010</math></td> <td>---</td> </tr> <tr> <td>2 PLACE</td> <td><math>\pm .014</math></td> <td><math>\pm 0.25</math></td> </tr> <tr> <td>1 PLACE</td> <td>---</td> <td><math>\pm 0.35</math></td> </tr> </table> DRAFT WHERE APPLICABLE MUST REMAIN WITHIN DIMENSIONS		INCH	METRIC	3 PLACE	$\pm .010$	---	2 PLACE	$\pm .014$	$\pm 0.25$	1 PLACE	---	$\pm 0.35$	REVISIONS LTR.	REVISIONS LTR.				
	INCH	METRIC																									
3 PLACE	$\pm .010$	---																									
2 PLACE	$\pm .014$	$\pm 0.25$																									
1 PLACE	---	$\pm 0.35$																									
									DRWG. BY: JBS APP'D. BY: BW CHK'D. BY: BW SCALE:	DIMENSIONS SHOWN (METRIC) INCH UNLESS OTHERWISE SPECIFIED TOLERANCES: ANGULAR $\pm$ .05° 10 <table border="1"> <tr> <th></th> <th>INCH</th> <th>METRIC</th> </tr> <tr> <td>3 PLACE</td> <td><math>\pm .010</math></td> <td>---</td> </tr> <tr> <td>2 PLACE</td> <td><math>\pm .014</math></td> <td><math>\pm 0.25</math></td> </tr> <tr> <td>1 PLACE</td> <td>---</td> <td><math>\pm 0.35</math></td> </tr> </table> DRAFT WHERE APPLICABLE MUST REMAIN WITHIN DIMENSIONS		INCH	METRIC	3 PLACE	$\pm .010$	---	2 PLACE	$\pm .014$	$\pm 0.25$	1 PLACE	---	$\pm 0.35$	REVISIONS LTR.	REVISIONS LTR.			
	INCH	METRIC																									
3 PLACE	$\pm .010$	---																									
2 PLACE	$\pm .014$	$\pm 0.25$																									
1 PLACE	---	$\pm 0.35$																									
									DRWG. NO. SD-1625-1-**-* FILE NAME SD16251X2 60X	REVISIONS LTR.	REVISIONS LTR.																
									DRWG. NO. SD-1625-1-**-* FILE NAME SD16251X2 60X	REVISIONS LTR.	REVISIONS LTR.																

= 0     = 0    REVISE ONLY ON CAD SYSTEM  
 TITLE: PLUG & RECEPTACLE HOUSINGS  
 1 CIRCUIT  
 .062/(1.57) DIA. SERIES  
 FROM: MOLEX INCORPORATED U.S.A. SHEET NO. 2 DATE 6/10/03  
 PART NO. SD-1625-1-\*\*-\*  
 SEE CHART  
 THIS DRAWING CONTAINS INFORMATION THAT IS PROPRIETARY TO MOLEX INC. AND SHOULD NOT BE USED WITHOUT WRITTEN PERMISSION. DIV. CP

DWG. NO. SD-1625-IP

E

D

C

B

A

ALL DIMENSIONS IN METRIC DO NOT SCALE DRAWING

8

7

6

5

4

3

2

1

F

E

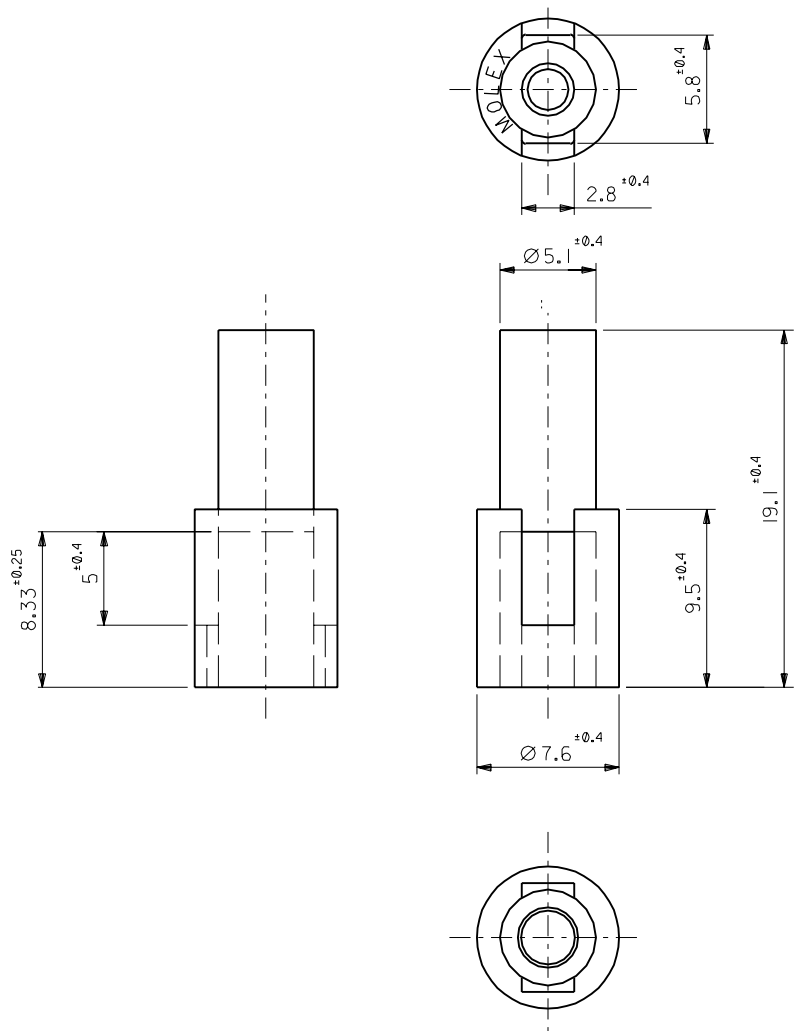
D

C

B

A

1625-51



注記  
NOTE

材質:ナイロン66, 94V-2  
MATERIAL:NYLON66,94V-2

03-06-2011	1625-IP
PART NO.	ENG.NO.

材料 MATERIAL		図中参照 REFER TO DRAWING		moLEX MOLEX-JAPAN CO.,LTD. 日本モレックス株式会社	
仕上げ FINISH		—		REVISE ONLY ON CAD SYSTEM	
適用電線範囲 WIRE RANGE		—		TITLE 名称	
被覆外径 INS. RANGE		—		.062 DIA. 1 CIRCUIT PLUG HOUSING	
DRAWN BY '96/07/08 H.IIJIMA		CHK'D BY '96/07/08 M.FUKUSHIMA		DWG. NO.	
APP'D BY '96/07/08 M.ENOMOTO		尺 寸 SCALE 4 : 1		REV B	
記号 LTR		変更内容 REVISION RECORD		DR. CHK.	
再作図 REDRAWN (JC70302)		日付 DATE			
角度 ANGLE		±3°			
30°以上 OVER		±0.3			
10°以上 OVER		±0.25			
10°未満 UNDER		±0.2			
一般公差 GENERAL TOLERANCES					

THIS DRAWING CONTAINS INFORMATION THAT IS PROPRIETARY TO MOLEX(JAPAN) AND SHOULD NOT BE USED WITHOUT WRITTEN PERMISSION  
本図面は日本モレックス(株)の所有する情報を含むもので 当社の許可なく複製を禁止する。  
EN-01C(032)MXJ-32

8

7

6

5

4

3

2

1