



## TL494

## LINEAR INTEGRATED CIRCUIT

### VOLTAGE MODE PWM CONTROL CIRCUIT

#### DESCRIPTION

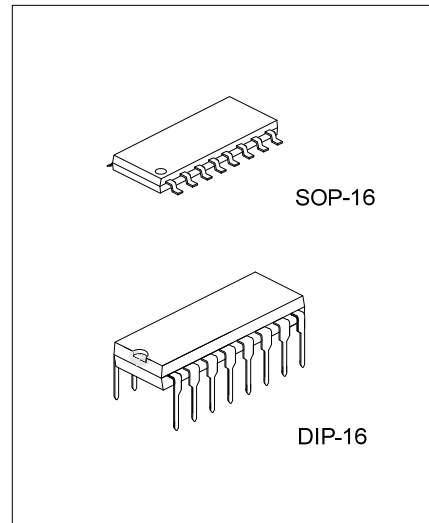
The UTC **TL494** incorporates all the functions required in the construction of a pulse-width modulation switching circuit. Designed primarily for switching power supply control or DC-DC converters, it offers the systems engineer the flexibility to tailor control circuitry to its own application.

#### FEATURES

- \*Complete PWM power control circuitry
- \*Uncommitted outputs for 200mA sink or source current
- \*Output control selects single ended or push pull operation
- \*Internal circuitry prohibits double pulses over total range
- \*Easy synchronization

#### ORDERING INFORMATION

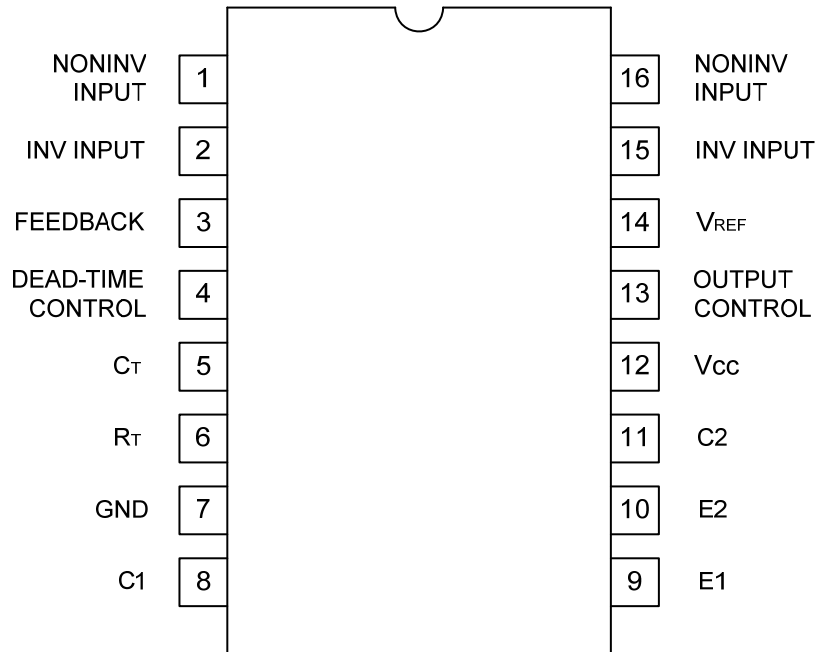
Ordering Number			Package	Packing
Normal	Lead Free Plating	Halogen Free		
TL494-D16-T	TL494L-D16-T	TL494G-D16-T	DIP-16	Tube
TL494-S16-R	TL494L-S16-R	TL494G-S16-R	SOP-16	Tape Reel



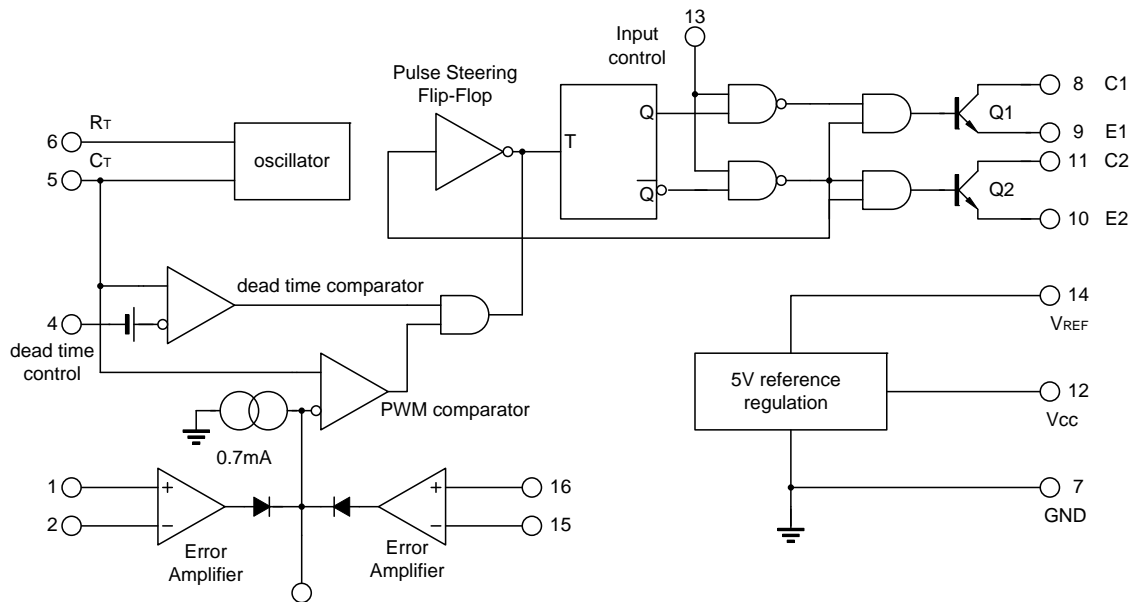
Lead Free:TL494L  
Halogen Free:TL494G

<p>TL494L-D16-T</p> <p>(1)Packing Type (2)Package Type (3)Lead Plating</p>	<p>(1) R: Tape Reel, T: Tube (2) D16: DIP-16, S16: SOP-16 (3) G:Halogen Free, L: Lead Free Plating, Blank: Pb/Sn</p>
--	--

## ■ PIN CONFIGURATION



## ■ BLOCK DIAGRAM



### ■ ABSOLUTE MAXIMUM RATINGS

(Unless otherwise noted all is over operating free air temperature range)

PARAMETER		SYMBOL	RATINGS	UNIT
Supply Voltage(Note 3)		$V_{CC}$	41	V
Amplifier Input Voltage		$V_{IN}$	$V_{CC}+0.3$	V
Collector Output Voltage		$V_{OUT}$	41	V
Collector Output Current		$I_{CO}$	250	mA
Continuous Total Dissipation	Ta=25°C	$P_D$	1000	mW
	Derate at Ta > 25°C		9.2	mW/°C
Junction Temperature		$T_J$	125	°C
Operating Temperature		$T_{OPR}$	-25 ~ +85	°C
Storage Temperature		$T_{STG}$	-40 ~ +150	°C

Note 1. Absolute maximum ratings are those values beyond which the device could be permanently damaged.

Absolute maximum ratings are stress ratings only and functional device operation is not implied.

2. All voltage values, except differential voltages are with respect to the network ground terminal.

### ■ RECOMMENDED OPERATING CONDITIONS

PARAMETER	SYMBOL	RATINGS		UNIT
		MIN	MAX	
Supply Voltage	$V_{CC}$	7	40	V
Amplifier Input Voltage	$V_{IN}$	-0.3	$V_{CC}-2$	V
Collector Output Voltage	$V_{OUT}$		40	V
Collector Output Current(each Transistor)	$I_C$		200	mA
Current into Feedback	$I_f$		0.3	mA
Timing Capacitor	$C_T$	0.47	10000	nF
Timing Resistor	$R_T$	1.8	500	kΩ
Oscillator Frequency	fosc	1	300	kHz
Operating Free-Air Temperature	Ta	0	70	°C

## ELECTRICAL CHARACTERISTICS

(Over recommended operating free-air temperature range,  $V_{CC}=15V$ ,  $f=1kHz$ , Unless otherwise specified)

PARAMETER	SYMBOL	TEST CONDITIONS	MIN	TYP	MAX	UNIT	
<b>Reference Section</b>							
Output Voltage	$V_{OUT}$	$I_{OUT}=1mA$	4.75	5	5.25	V	
Input Regulation	$V_{IN}$	$V_{CC}=7V \sim 40V$		2	25	mV	
Output Regulation	$V_{OUT}$	$I_{OUT}=1 \sim 10mA$		1	15	mV	
Output Voltage Change with Temperature		$\Delta T_a=MIN \sim MAX$ (note 2)		0.2	1	%	
Short-Circuit Output Current	$I_{O(SC)}$	$V_{REF}=0$		35		mA	
<b>Oscillator Section</b>							
Frequency	F	$C_T=0.01\mu F, R_T=12k\Omega$		10		kHz	
Standard Deviation of Frequency		All Values of $V_{CC}, C_T, R_T, T_A$ constant		10		%	
Frequency Change with Voltage		$V_{CC}=7V \sim 40V, T_a=25^\circ C$		0.1		%	
Frequency Change with Temperature		$C_T=0.01\mu F, R_T=12k\Omega, \Delta T_a=MIN \sim MAX$			12	%	
<b>Amplifier Section</b>							
Input Offset Voltage	Error	$V_{I(OFF)}$	$V_{OUT}(\text{pin } 3)=2.5V$		2	10	mV
Input Offset Current		$I_{I(OFF)}$	$V_{OUT}(\text{pin } 3)=2.5V$		25	250	nA
Input Bias Current		$I_{I(BIAS)}$	$V_{OUT}(\text{pin } 3)=2.5V$		0.2	1	$\mu A$
Common-Mode Input Voltage Range	Error		$V_{CC}=7V \sim 40V$	-0.3 ~ $V_{CC}-2$			V
Open-Loop Voltage Amplification			$\Delta V_{OUT}=3V, V_{OUT}=0.5V \sim 3.5V$	70	95		dB
Unity-Gain Bandwidth		$GB_W$			800		kHz
Common-Mode Rejection Ratio	Error	CMRR	$V_{CC}=40V, T_a=25^\circ C$	65	80		dB
Output Sink Current(pin 3)		$I_{O(SINK)}$	$V_{ID}=-15mV \sim -5V$ $V(\text{pin } 3)=0.5V$	0.3	0.7		mA
Output source Current(pin 3)		$I_{O(SOURCE)}$	$V_{ID}=15mV \sim -5V, V(\text{pin } 3)=3.5V$	-2			mA
<b>Output Section</b>							
Collector off-state current		$I_{C(OFF)}$	$V_{CE}=40V, V_{CC}=40V$		2	100	$\mu A$
Emitter off-state Current		$I_{E(OFF)}$	$V_{CC}=V_C=40V, V_E=0$			-100	$\mu A$
Collector -emitter Saturation Voltage	Common-emitter		$V_E=0, I_C=200mA$		1.1	1.3	V
	Emitter-Follower		$V_C=15V, I_E=-200mA$		1.5	2.5	
Output Control Input Current			$V_{IN}=V_{REF}$			3.5	mA
<b>Dead Time Control Section</b>							
Input bias (pin 4)		$I_{I(BIAS)}$	$V_{IN}=0 \sim 5.25V$		-2	-10	$\mu A$
Maximum duty cycle, each output			$V_{IN}(\text{pin } 4)=0$	45			%
Input threshold Voltage(pin 4)		$V_{THR}$	Zero duty Cycle		3	3.3	V
			Maximum duty cycle	0			
<b>PWM comparator Section</b>							
Input Threshold Voltage(pin 3)		$V_{THR}$	Zero Duty cycle		4	4.5	V
Input Sink Current (pin 3)		$I_{I(SINK)}$	$V(\text{pin } 3)=0.7V$	0.3	0.7		mA
<b>Total Device</b>							
Standby Supply Current	$V_{CC}=15V$	$I_{ST-BY}$	pin 6 at $V_{REF}$ , all other Inputs and outputs open		6	10	mA
	$V_{CC}=40V$				9	15	
Average supply current			$V(\text{pin } 4)=2V$		7.5		mA
<b>Switching Characteristics, <math>T_a=25^\circ C</math></b>							
Output Voltage Rise Time	$t_R$	Common-emitter configuration			100	200	ns
Output Voltage Fall Time	$t_F$				25	100	ns
Output Voltage Rise Time	$t_R$	Emitter-follower configuration			100	200	ns
Output Voltage Fall Time	$t_F$				40	100	ns

Note 1: All typical Values except for temperature coefficient are at  $T_a=25^\circ C$ .

Note 2: For conditions shown as MIN or MAX, use appropriate value under recommended operating conditions.

Note 3: Duration of the short-circuit should not exceed one second.

Note 4: Standard deviation is a measure of the statistical distribution the mean as derived from the formula:

$$\sigma = \sqrt{\frac{\sum_{i=1}^N (x_i - \bar{x})^2}{N-1}}$$

## ■ TEST CIRCUIT

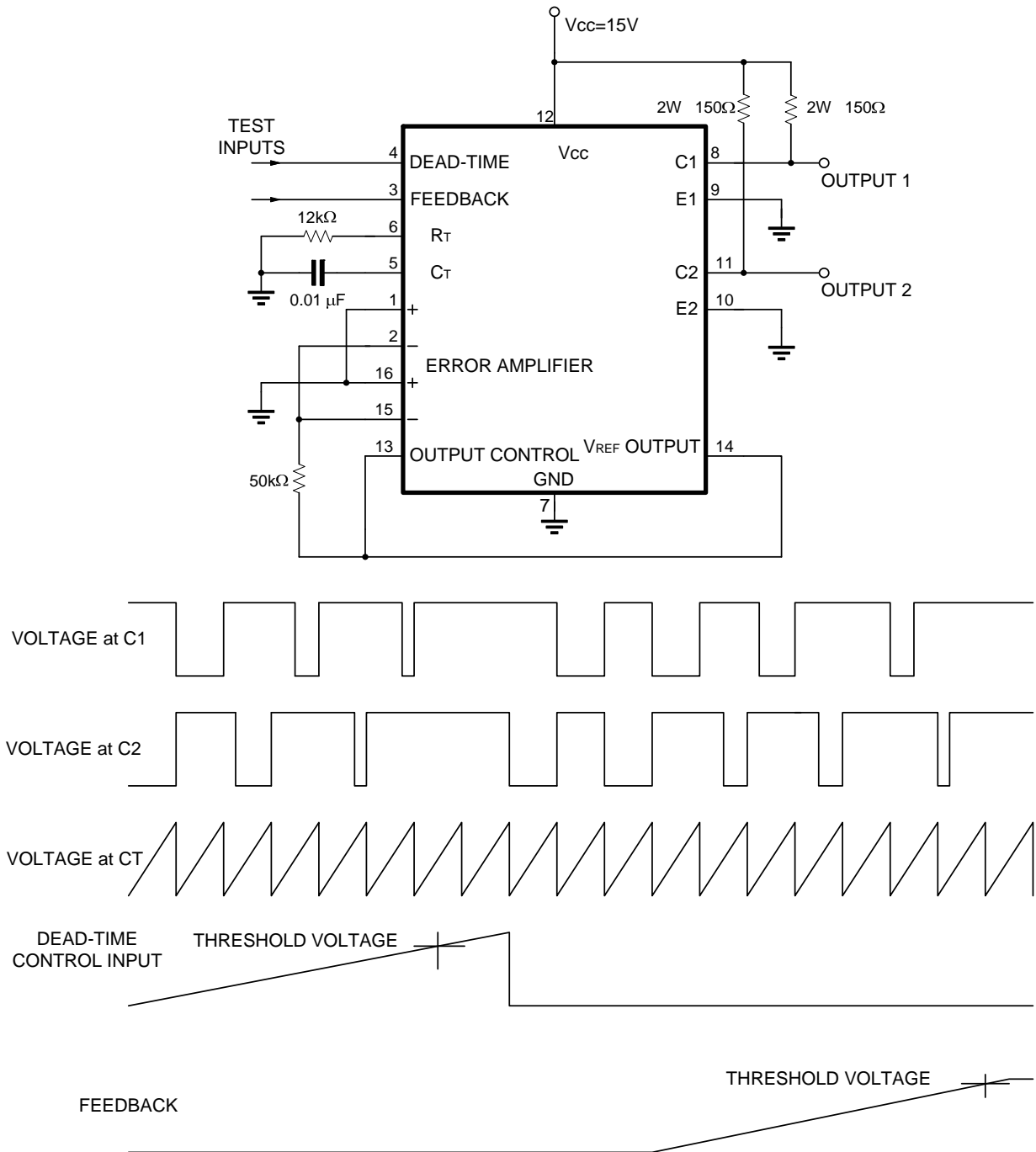


FIG 1. OPERATIONAL TEST CIRCUIT AND WAVEFORMS

■ TEST CIRCUIT(Cont.)

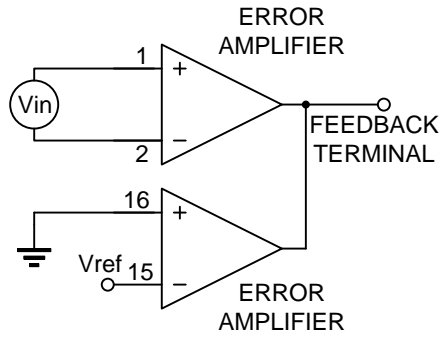


FIG 2. AMPLIFIER CHARACTERISTICS

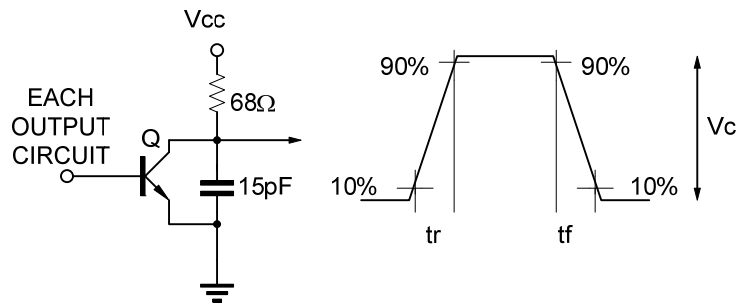


FIG. 3 COMMON-EMITTER CONFIGURATION

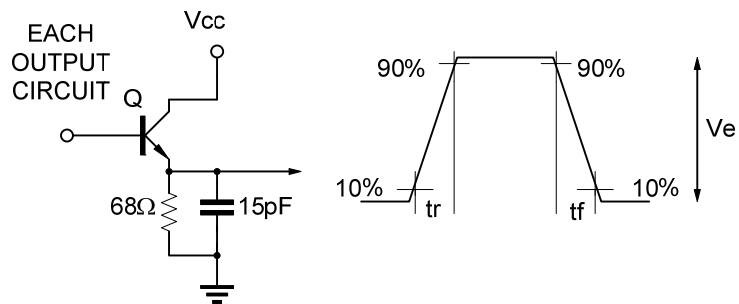
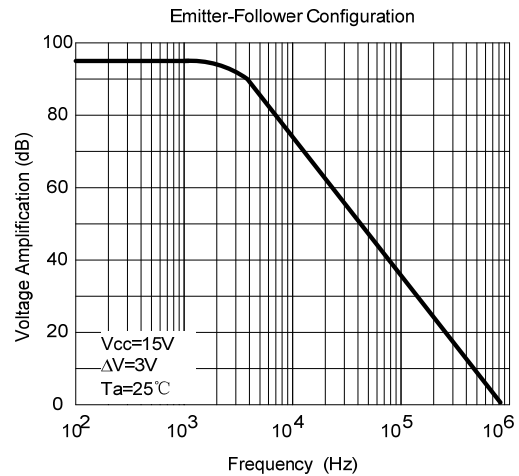
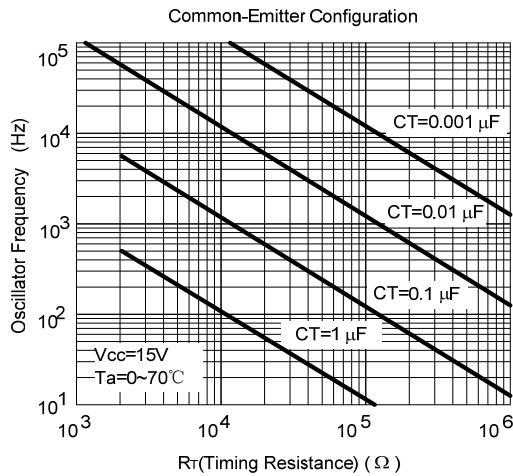


FIG. 4 EMITTER-FOLLOWER CONFIGURATION

■ TYPICAL PERFORMANCE CHARACTERISTICS



UTC assumes no responsibility for equipment failures that result from using products at values that exceed, even momentarily, rated values (such as maximum ratings, operating condition ranges, or other parameters) listed in products specifications of any and all UTC products described or contained herein. UTC products are not designed for use in life support appliances, devices or systems where malfunction of these products can be reasonably expected to result in personal injury. Reproduction in whole or in part is prohibited without the prior written consent of the copyright owner. The information presented in this document does not form part of any quotation or contract, is believed to be accurate and reliable and may be changed without notice.