



SANYO Semiconductors

## DATA SHEET

# STK404-050S — Thick-Film Hybrid IC

## One-Channel Class AB Audio Power Amplifier IC 30W

### Overview

The STK404-000S series products are audio power amplifier hybrid ICs that consist of optimally-designed discrete component power amplifier circuits that have been miniaturized using SANYO's unique insulated metal substrate technology (IMST). The adoption of a newly-developed low thermal resistance substrate allows this series of devices to be provided in miniature packages significantly more compact than earlier Sanyo products with similar specifications.

### Features

- Series of pin compatible power amplifiers ranging from 45W to 180W (10%/1kHz) devices. The same printed circuit board can be used depending on the output power grade.
- Miniature packages
  - 30W to 40W (THD=0.4%, f=20Hz to 20kHz); 44.0mm × 25.6mm × 8.5mm \*
  - 50W to 80W (THD=0.4%, f=20Hz to 20kHz); 46.6mm × 25.5mm × 8.5mm \*
  - 100W to 120W (THD=0.4%, f=20Hz to 20kHz); 59.2mm × 25.5mm × 8.5mm \*
- \*: Not including the pins.
- Output load impedance:  $R_L=6\Omega$
- Allowable load shorted time: 0.3 seconds
- Supports the use of standby, muting, and load shorting protection circuits.

### Series Organization

These products are organized as a series based on their output capacity.

Item	Type No.						
	STK404-050S	STK404-070S	STK404-090S	STK404-100S	STK404-120S	STK404-130S	STK404-140S
Output 1 (0.4%/20Hz to 20kHz)	30W	40W	50W	60W	80W	100W	120W
Output 2 (10%/1kHz)	45W	60W	80W	90W	120W	150W	180W
Maximum supply voltage (6Ω)	±37V	±43V	±46V	±51V	±59V	±64V	±73V
Recommended supply voltage (6Ω)	±26V	±30V	±32V	±35V	±41V	±45V	±51V
Remarks	—		Built-in thermal protection circuit				
Package	44.0mm × 25.6mm × 8.5mm		46.6mm × 25.5mm × 8.5mm			59.2mm × 25.5mm × 8.5mm	

- Any and all SANYO products described or contained herein do not have specifications that can handle applications that require extremely high levels of reliability, such as life-support systems, aircraft's control systems, or other applications whose failure can be reasonably expected to result in serious physical and/or material damage. Consult with your SANYO representative nearest you before using any SANYO products described or contained herein in such applications.
- SANYO assumes no responsibility for equipment failures that result from using products at values that exceed, even momentarily, rated values (such as maximum ratings, operating condition ranges, or other parameters) listed in products specifications of any and all SANYO products described or contained herein.

**SANYO Electric Co., Ltd. Semiconductor Company**

TOKYO OFFICE Tokyo Bldg., 1-10, 1 Chome, Ueno, Taito-ku, TOKYO, 110-8534 JAPAN

**Specifications**

**Maximum Ratings** at  $T_a = 25^\circ\text{C}$

Parameter	Symbol	Conditions	Ratings	Unit
Maximum supply voltage (No signal)	$V_{CC \text{ max}(0)}$		$\pm 40$	V
Maximum supply voltage	$V_{CC \text{ max}(1)}$	$R_L=6\Omega$	$\pm 37$	V
Thermal resistance	$\theta_{j-c}$	Per power transistor	3.0	$^\circ\text{C}/\text{W}$
Junction temperature	$T_j \text{ max}$	Both the $T_j \text{ max}$ and the $T_c \text{ max}$ conditions must be met.	150	$^\circ\text{C}$
Operating IC substrate temperature	$T_c \text{ max}$		125	$^\circ\text{C}$
Storage temperature	$T_{stg}$		-30 to +125	$^\circ\text{C}$
Allowable load shorted time *3	$t_s$	$V_{CC}=\pm 26.0\text{V}$ , $R_L=6\Omega$ , $f=50\text{Hz}$ , $P_O=30\text{W}$	0.3	s

**Operating Characteristics** at  $T_c=25^\circ\text{C}$ ,  $R_L=6\Omega$  (noninductive load),  $R_g=600\Omega$ ,  $V_G=30\text{dB}$

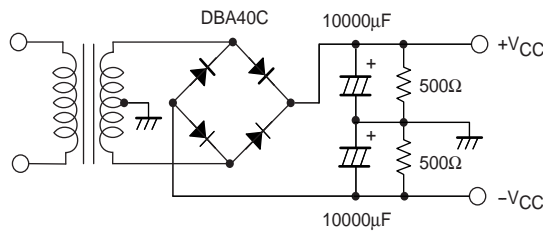
Parameter	Symbol	Conditions*1				Ratings			Unit	
		$V_{CC}$ (V)	f (Hz)	$P_O$ (W)	THD (%)	min	typ	max		
Output power	$P_O(1)$	$\pm 26.0$	20 to 20 k		0.4	30			W	
	$P_O(2)$	$\pm 26.0$	1 k		10		45			
Frequency characteristics	$f_L, f_H$	$\pm 26.0$		1.0		+0 -3dB	20 to 20k		Hz	
Input impedance	$r_i$	$\pm 26.0$	1 k	1.0			55		k $\Omega$	
Output noise voltage *2	$V_{NO}$	$\pm 32.0$				$R_g=10\text{k}\Omega$	1.2		mVrms	
Quiescent current	$I_{CCO}$	$\pm 32.0$				No loading		50	mA	
Neutral voltage	$V_N$	$\pm 32.0$					-100	0	+100	mV

Notes: 1. Unless otherwise noted, use a constant-voltage supply for the power supply used during inspection.

2. The output noise voltage values shown are peak values read with a VTVM. However, an AC stabilized (50 Hz) power supply should be used to minimize the influence of AC primary side flicker noise on the reading.

3. Use the transformer power supply circuit shown in the figure below for allowable load shorted time measurement and output noise voltage measurement.

This IC is designed assuming that applications will provide a load-shorting protection function that operates within 0.3 seconds of the load being shorted and that either cuts off power to the IC or eliminates the load-shortened state in some other manner.

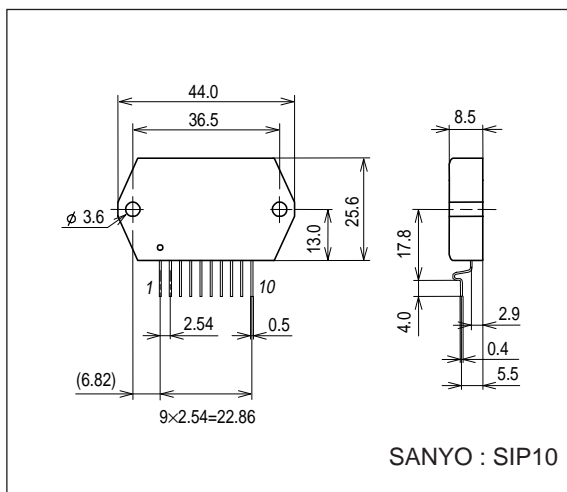


**Designated Transformer Power Supply (MG-25 equivalent)**

**Package Dimensions**

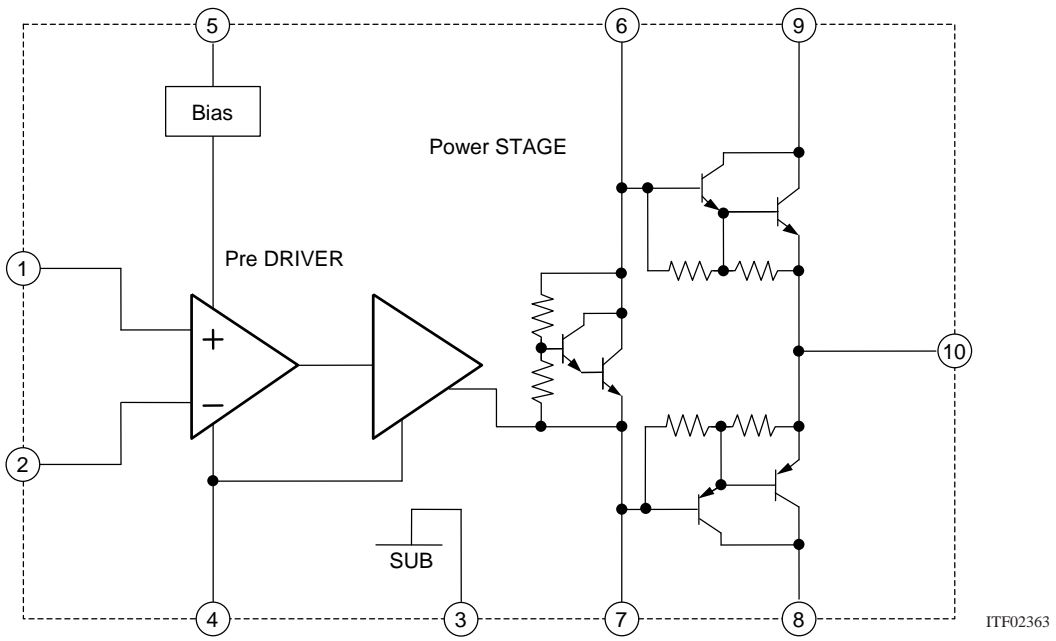
unit : mm

4203

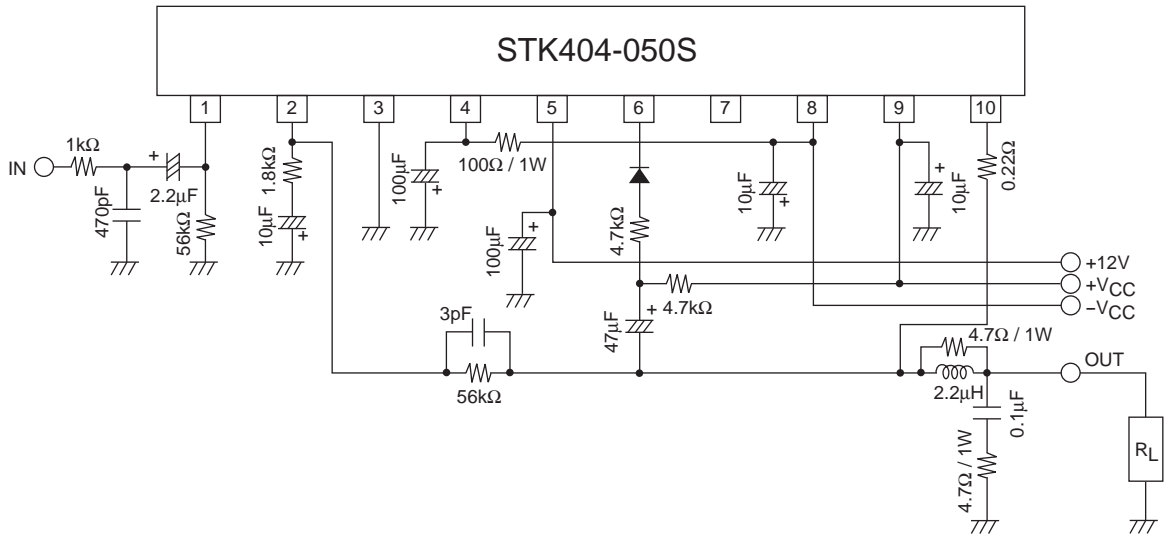


# STK404-050S

## Internal Equivalent Circuit



## Sample Application Circuit



**Thermal Design Example**

If we define  $P_d$ , the total power dissipation on the board when this hybrid IC is in operation, the heat sink thermal resistance,  $\theta_{c-a}$ , is determined as follows:

Condition 1: The hybrid IC substrate temperature  $T_c$  must not exceed  $125^\circ\text{C}$ .

$$P_d \times \theta_{c-a} + T_a < 125^\circ\text{C} \dots (1)$$

$T_a$ : Guaranteed ambient temperature for the end product.

Condition 2: The junction temperature of each transistor must not exceed  $150^\circ\text{C}$ .

$$P_d \times \theta_{c-a} + P_d/N \times \theta_{j-c} + T_a < 150^\circ\text{C} \dots (2)$$

$N$ : Number of power transistors

$\theta_{j-c}$ : Thermal resistance per power transistor

We take the power dissipation in the power transistors to be  $P_d$  evenly distributed across those  $N$  power transistors.

If we solve for  $\theta_{c-a}$  in equations (1) and (2), we get the following inequalities:

$$\theta_{c-a} < (125 - T_a)/P_d \dots (3)$$

$$\theta_{c-a} < (150 - T_a)/P_d - \theta_{j-c}/N \dots (4)$$

Values that satisfy both these inequalities at the same time are the required heat sink thermal resistance values.

Example:

For actual music signals, it is usual to use a  $P_d$  of  $1/8$  of  $P_{Omax}$ , which is the power estimated for continuous signals in this manner. (Note that depending on the particular safety standard used, a value somewhat different from the value of  $1/8$  used here may be used.)

When  $V_{CC} = \pm 26\text{V}$  and  $R_L = 6\Omega$ , we get the following expression for the total power dissipation on the board,  $P_d$ :

$$P_d = 15\text{W} \text{ (when } 1/8 P_{Omax} \text{ is } 3.8\text{W)} \dots (5)$$

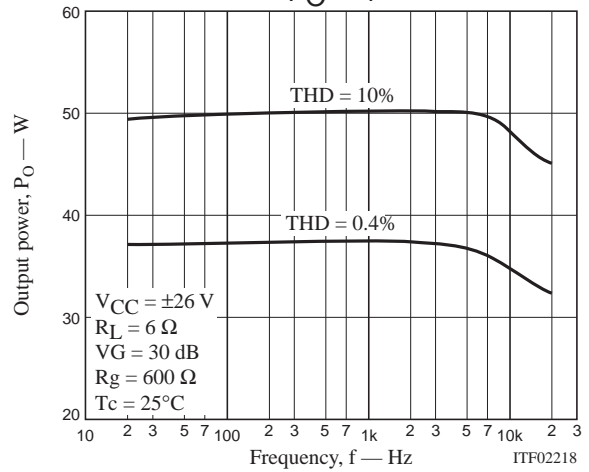
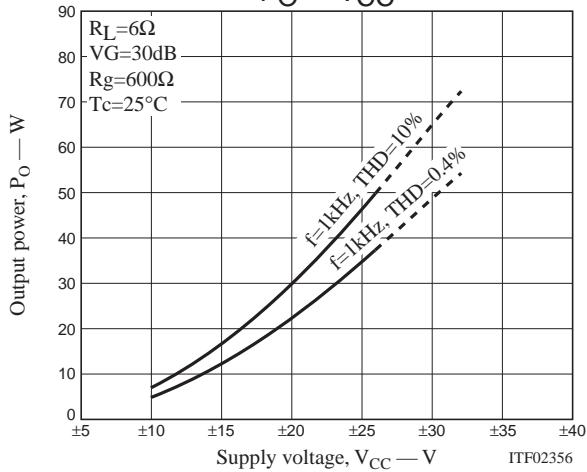
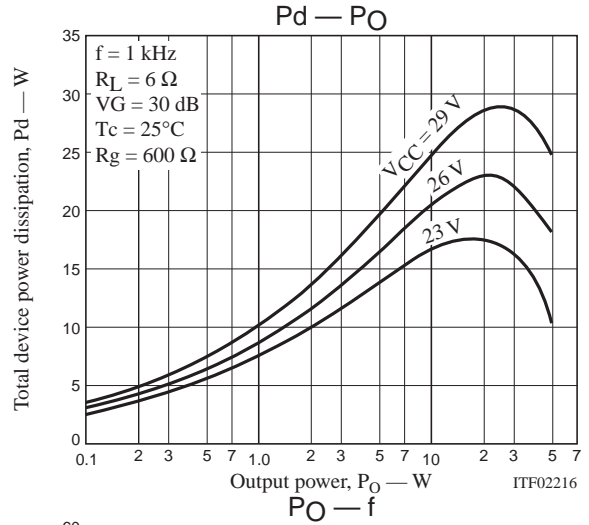
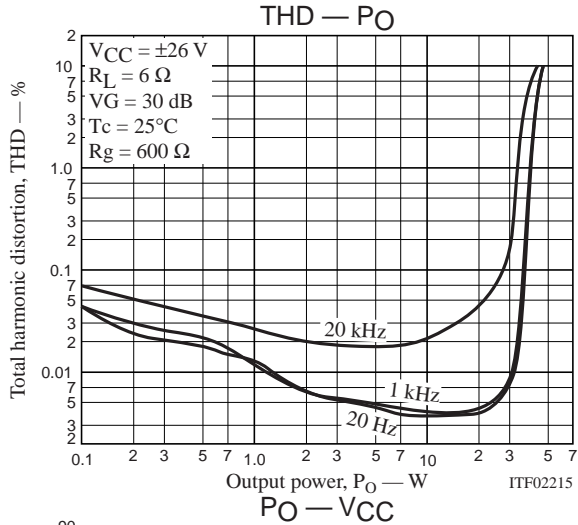
The number,  $N$ , of power transistors in the hybrid IC's audio amplifier block is 2. Since the thermal resistance,  $\theta_{j-c}$ , per transistor is  $3.0^\circ\text{C/W}$ , the required heat sink thermal resistance,  $\theta_{c-a}$ , for a guaranteed ambient temperature of  $50^\circ\text{C}$  will be as follows:

$$\text{From inequality (3): } \theta_{c-a} < (125 - 50)/15 = 5.00 \dots (6)$$

$$\text{From inequality (4): } \theta_{c-a} < (150 - 50)/15 - 3.0/2 = 5.17 \dots (7)$$

Therefore, the thermal resistance that satisfies both these expressions (6,7) at the same time is  $5.0^\circ\text{C/W}$ .

Note that this thermal design example assumes the use of a constant-voltage power supply, and is only provided as an example for reference purposes. Thermal designs must be tested in an actual end product.



- Specifications of any and all SANYO products described or contained herein stipulate the performance, characteristics, and functions of the described products in the independent state, and are not guarantees of the performance, characteristics, and functions of the described products as mounted in the customer's products or equipment. To verify symptoms and states that cannot be evaluated in an independent device, the customer should always evaluate and test devices mounted in the customer's products or equipment.
- SANYO Electric Co., Ltd. strives to supply high-quality high-reliability products. However, any and all semiconductor products fail with some probability. It is possible that these probabilistic failures could give rise to accidents or events that could endanger human lives, that could give rise to smoke or fire, or that could cause damage to other property. When designing equipment, adopt safety measures so that these kinds of accidents or events cannot occur. Such measures include but are not limited to protective circuits and error prevention circuits for safe design, redundant design, and structural design.
- In the event that any or all SANYO products (including technical data, services) described or contained herein are controlled under any of applicable local export control laws and regulations, such products must not be exported without obtaining the export license from the authorities concerned in accordance with the above law.
- No part of this publication may be reproduced or transmitted in any form or by any means, electronic or mechanical, including photocopying and recording, or any information storage or retrieval system, or otherwise, without the prior written permission of SANYO Electric Co., Ltd.
- Any and all information described or contained herein are subject to change without notice due to product/technology improvement, etc. When designing equipment, refer to the "Delivery Specification" for the SANYO product that you intend to use.
- Information (including circuit diagrams and circuit parameters) herein is for example only; it is not guaranteed for volume production. SANYO believes information herein is accurate and reliable, but no guarantees are made or implied regarding its use or any infringements of intellectual property rights or other rights of third parties.

This catalog provides information as of May, 2004. Specifications and information herein are subject to change without notice.