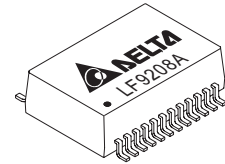




100/1000BASE-T TRANSFORMER MODULES

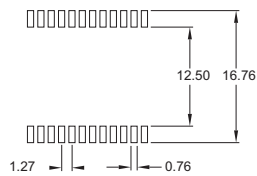
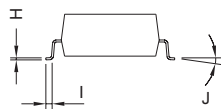
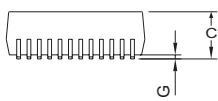
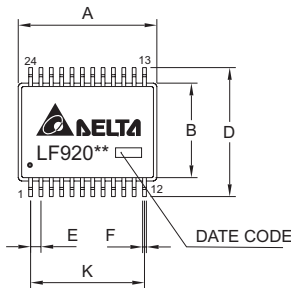
Networking Components



ELECTRICAL CHARACTERISTICS @25°C

Rise Time & Fall Time @5.0ns (Max), Hi-Pot Test @60Sec, 1500Vrms, OCL @8mA DC Bias 350uH (Min)														
Model	Insertion Loss (dB Max)			Return Loss (dB Min)				Cross Talk (dB Min)			Com. To Com. Rejection Ratio (dB Min)	Diff. To Com. Mode Rejection (dB Min)		Turns Ratio TX/RX (± 5%)
	1-60	60-100	60-125	1-30	30-40	40-50	50-60	1-60	60-100	60-125	1-100	1-60	60-100	1
	MHz			MHz				MHz			MHz	MHz		MHz
LF9208A	-0.5	-1.0	-1.2	-16	-13.5	-11.5	-10	-40	-38	-33	-30	-40	-30	1:1 / 1:1
LF9209A	-0.5	-1.0	-1.2	-16	-13.5	-11.5	-10	-40	-38	-33	-30	-40	-30	1:1 / 1:1

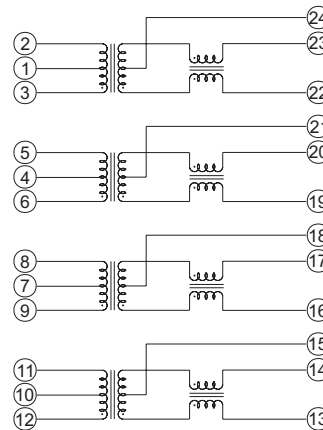
MECHANICAL CONSTRUCTION



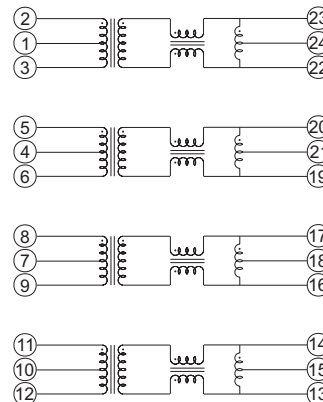
- UNIT : mm / inch
- A = 17.00 ± 0.254 / 0.669 ± 0.010
 - B = 12.00 ± 0.254 / 0.472 ± 0.010
 - C = 5.71 ± 0.254 / 0.225 ± 0.010
 - D = 16.00 ± 0.254 / 0.630 ± 0.010
 - E = 1.27 / 0.050 (TYP)
 - F = 0.46 ± 0.127 / 0.018 ± 0.005
 - G = 0.254 ± 0.127 / 0.010 ± 0.005
 - H = 0.254 / 0.010 (TYP)
 - I = 1.00 ± 0.254 / 0.039 ± 0.010
 - J = 0°~8°
 - K = 13.97 / 0.550 (TYP)

SCHEMATICS

LF9208A



LF9209A



DELTA ELECTRONICS, INC.

(TAOYUAN PLANT CPBG) 252, SAN YING ROAD, KUEI SAN INDUSTRIAL ZONE, TAOYUAN SHIEN, TAIWAN, R.O.C.
 TEL: 886-3-3591968; FAX: 886-3-3591991
[Http://www.deltaww.com/products/networking](http://www.deltaww.com/products/networking)