

GLP-802
MCA Japan Band

Inquiry

Application

for Spurious reduction

Characteristics

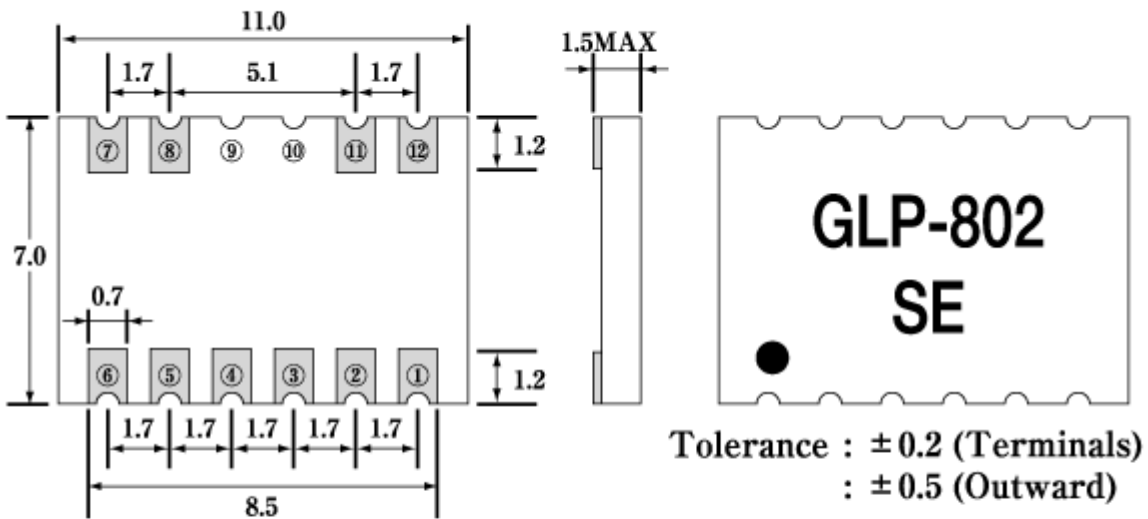
GLP-802	
Zin/Zout	50 ohm Nominal
Pass Band	850 up to 915MHz
Insertion Loss	0.7dB max (850 up to 915MHz)
V.S.W.R	1.5 max (850 up to 915MHz)
Attenuation	30 dB min (at 2f : 1700 up to 1830MHz)
	25 dB min (at 3f : 2550 up to 2745MHz)
Rated Power	12W max (850 up to 915MHz)
Max Input Power	20W 1minute

Number of ordered pieces

500pcs/Reel

Dimensions

Dimension (Unit : mm)



Tolerance : ±0.2 (Terminals)
: ±0.5 (Outward)

Terminal			
①	Input	⑦	GND
②	GND	⑧	
⑤		⑪	
⑥	Output	⑫	

Note

Do not connect any wiring (inclusive of grounding) to terminals No.9 and No.10. They are provided solely for internal connections.

Frequency Data

