

GLP-403
UHF US&EU Band

Inquiry

Application

for Spurious reduction

Characteristics

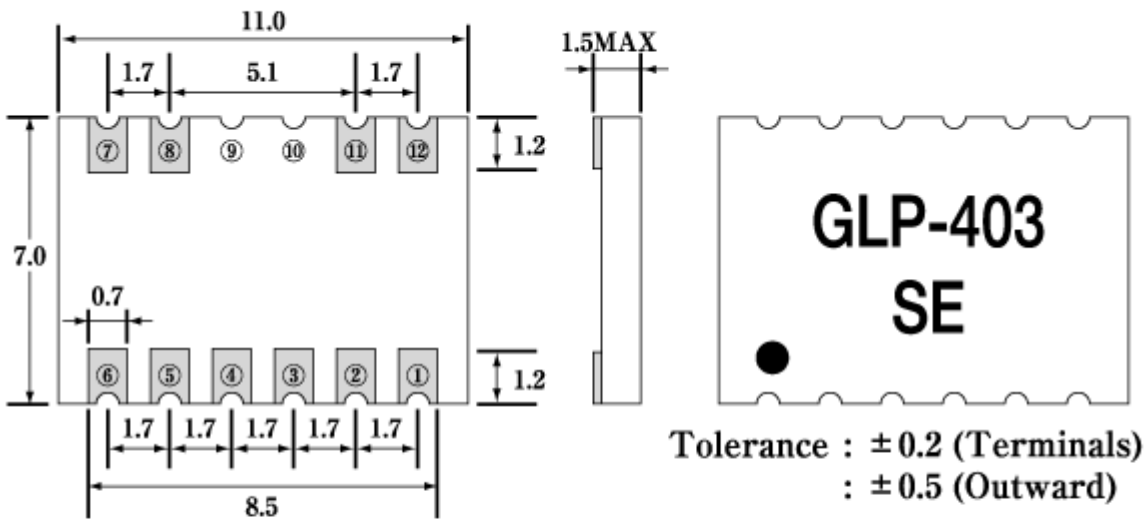
GLP-403	
Zin/Zout	50 ohm Nominal
Pass Band	450 up to 520MHz
Insertion Loss	0.7dB max (450 up to 520MHz)
V.S.W.R	1.5 max (450 up to 520MHz)
Attenuation	30 dB min (at 2f : 900 up to 1040MHz)
	25 dB min (at 3f : 1350 up to 1560MHz)
Rated Power	12W max (450 up to 520MHz)
Max Input Power	20W 1minute

Number of ordered pieces

500pcs/Reel

Dimensions

Dimension (Unit : mm)



Tolerance : ±0.2 (Terminals)
: ±0.5 (Outward)

Terminal			
①	Input	⑦	GND
②	GND	⑧	
⑤		⑪	
⑥	Output	⑫	

Note

Do not connect any wiring (inclusive of grounding) to terminals No.9 and No.10. They are provided solely for internal connections.

Frequency Data

